

PM 1744

B49/B54/58T FM

PARTS MANUAL

B49/54/58T FRONT MOUNT HEDGE/VERGE MOWER

PAGE AND ILLUSTRATION NUMBERS SHOWN ARE USED ONLY FOR REFERENCE PURPOSES AND SHOULD NOT BE USED FOR ORDERING SPARE PARTS.

PLEASE ENSURE THE CORRECT PART NUMBER AND DESCRIPTION IS GIVEN WHEN ORDERING SPARE PARTS.

For machines with serial numbers commencing from: 2787H/97

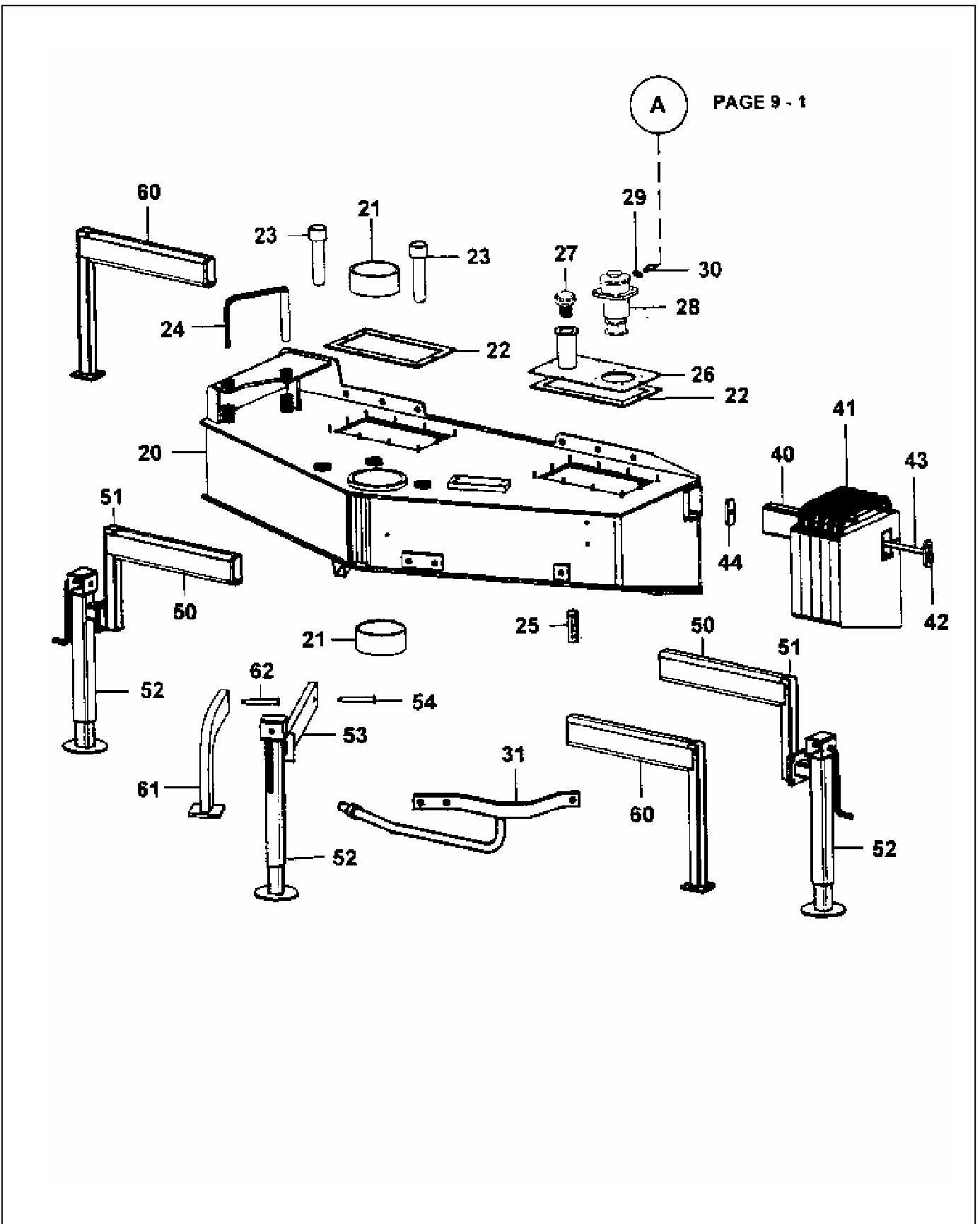
Page No.	Section
2 - 1 TO 2 - 2	MAINFRAME ASSEMBLY STABILISING WEIGHT ASSEMBLY STANDS ASSEMBLY
3 - 1 TO 3 - 2	KINGPOST ASSEMBLY
4 - 1 TO 4 - 2	DIN 3/VOLVO INTERFACE ASSEMBLIES AND TRANSPORT CRUTCH KIT
5 - 1 TO 5 - 3	FIRST & SECOND ARM ASSEMBLIES
6 - 1 TO 6 - 2	TURNTABLE/COWL LINKAGE
7 - 1 TO 7 - 2	PUMPS/GEARBOX ASSEMBLY
8 - 1 TO 8 - 2	HYDRAULIC POWER CIRCUIT (WITHOUT PUMPS)
9 - 1 TO 9 - 2	HYDRAULIC POWER CIRCUIT (WITH PUMPS)
10-1 TO 10-2	CONTROL VALVE MOUNTINGS
11-1 TO 11-2	EPP II VALVE ASSEMBLY
12-1 TO 12-2	EPP II REMOTE CONTROL ASSEMBLY
13-1 TO 13-2	EPP II RCA CAB SIDE MOUNTING
14-1 TO 14-2	FIRST, SECOND AND COWL RAM CIRCUITS
15-1 TO 15-2	SLEW RAM CIRCUIT
16-1 TO 16-2	ACCUMULATOR KIT
17-1 TO 17-2	DECALS

IMPORTANT

**THIS MACHINE IS FOR VEGETATION CONTROL AND
MUST NOT BE USED FOR ANY OTHER PURPOSE**

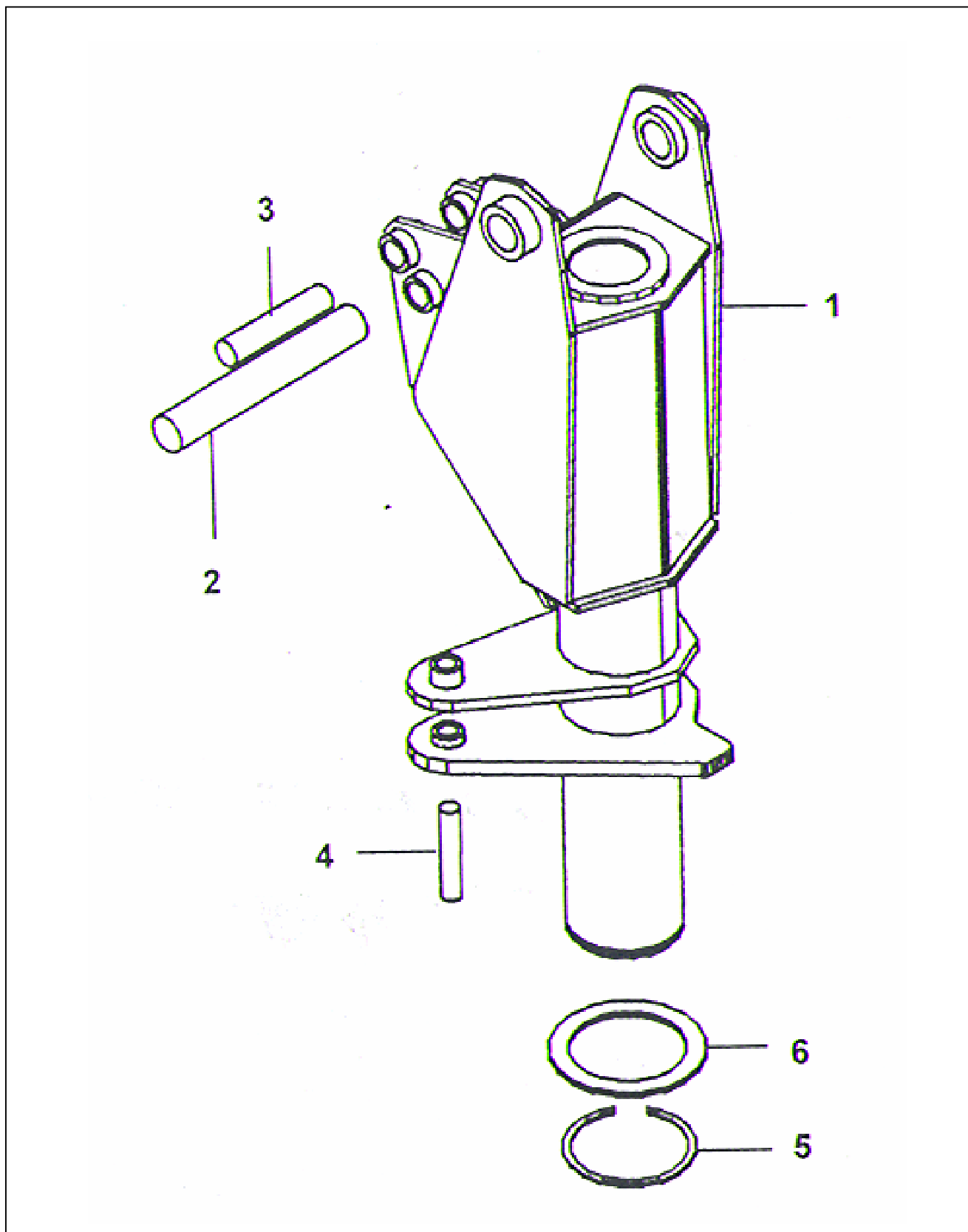
**IT IS POTENTIALLY HAZARDOUS TO FIT OR USE ANY PARTS
OTHER THAN GENUINE BOMFORD TURNER PARTS**

**THE COMPANY DISCLAIMS ALL LIABILITY FOR THE
CONSEQUENCES OF SUCH USE WHICH, IN ADDITION,
VOIDS THE MACHINE WARRANTY**



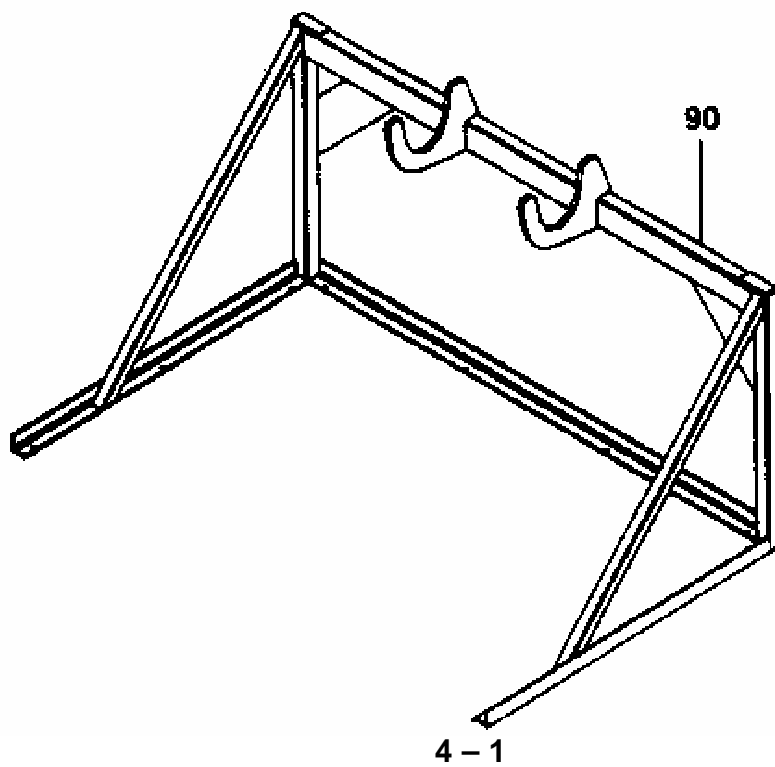
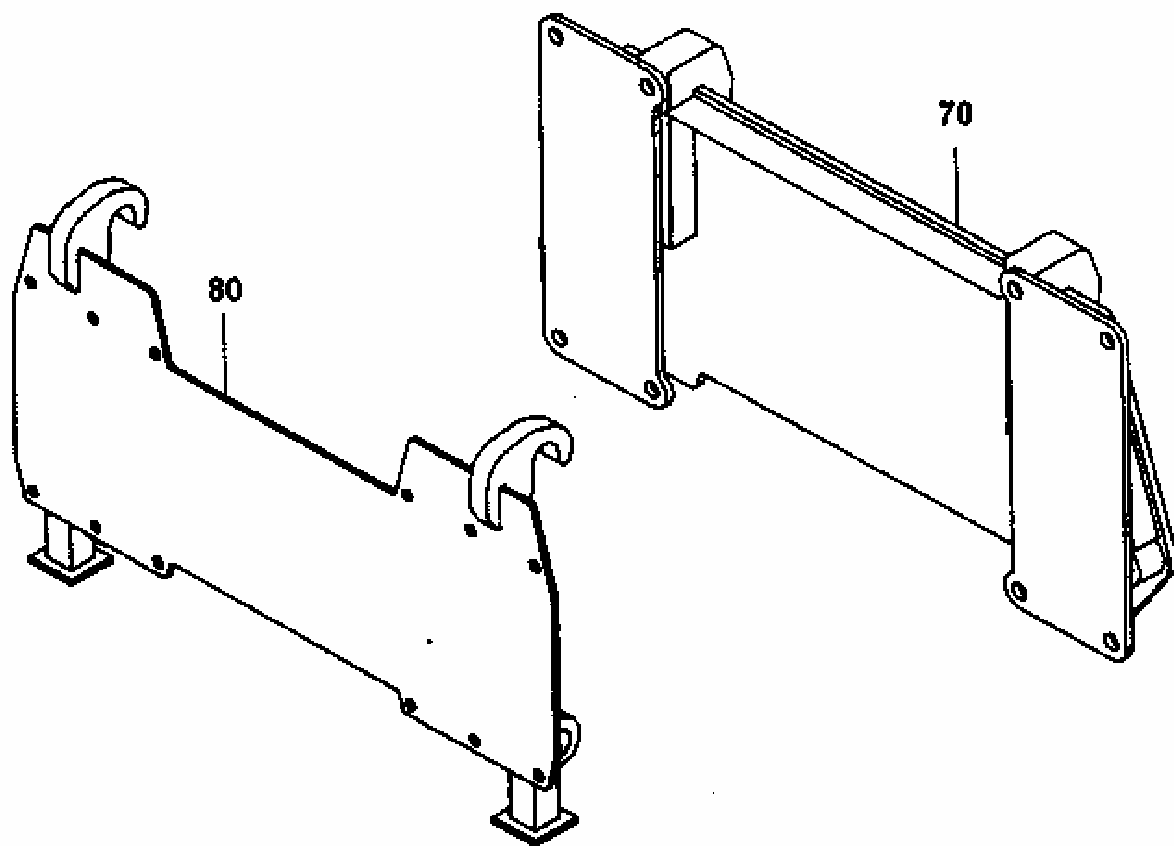
REF	PART NO	DESCRIPTION	QTY
76.452.01 MAINFRAME ASSEMBLY			
20	42103.01	MAINFRAME (WITH PUMPS)	1
20	42103.02	MAINFRAME (WITHOUT PUMPS)	1
21	42391.01	PLASTIC BUSH 170 X 150 X 70	2
22	08.605.01	GASKET	2
23	42133.01	PIN - DIA 40 SPECIAL	2
24	42131.01	PIN DIA 25 - SPECIAL	1
25	08.921.01	FLUID LEVEL GAUGE	1
*26	41.255.02	PLATE - FILLER/FILTER	1
26	05.281.01	FLAT WASHER 8MM PLATED	10
26	05.286.01	NUT M8 PLATED	10
27	06.966.02	FILLER BREATHER CAP & STRAINER	1
*28	41.041.01	FILTER UCC REF 3301.346	1
28	05.264.01	SETSCREW M8 X 20MM PLATED	4
28	05.282.01	SPRING WASHER 8MM PLATED	4
28	41.041.02	ELEMENT UCC REF MFR 3300	-
29	05.290.08	BONDED SEAL 1.1/4" BSP	1
30	05.131.01	ADAPTOR 1" X 1.1/4" BSP	1
76.452.10 STABILISING WEIGHT ASSEMBLY			
40	42134.01	CARRIER - BALLAST WEIGHT	1
*41	42132.01	BALLAST WEIGHT	5
41	05.264.30	SETSCREW M12 X 70MM PLATED	5
*42	42139.01	PLATE - END CAP	1
42	05.264.26	SETSCREW M12 X 45MM PLATED	2
42	05.281.03	FLAT WASHER 12MM PLATED	2
42	05.282.03	SPRING WASHER 12MM PLATED	2
*43	42138.01	STUD - M16 X 2020 SPECIAL	1
43	05.281.04	FLAT WASHER 16MM PLATED	1
43	05.282.04	SPRING WASHER 16MM PLATED	1
43	05.286.04	NUT M16 PLATED	2
44	42140.01	PLATE - END CAP	1
76.452.11 STANDS ASSEMBLY			
50	42135.01	BRACKET - STAND MOUNTING	2
51	07.262.03	PLUG-PLASTIC 50 X 50:3.2-5.0W	2
*52	30.209.64	JACK (SIDE WIND) UNIMOGS	3
52	05.264.25	SETSCREW M12 X 40MM PLATED	12
52	05.281.03	FLAT WASHER 12MM PLATED	12
52	05.287.03	SELF-LOCKING NUT M12 PLATED	12
53	42136.01	BRACKET - STAND MOUNTING	1
*54	03.652.01	PIN 20 DIA X 90	1
54	00.372.01	LINCH PIN	1
76.452.41 STANDS FOR FRONT MOUNTS WITHOUT PUMPS			
60	42490.01	STAND	2
61	42413.01	STAND	1
*62	03.652.01	PIN 20 DIA X 90	1
62	00.372.01	LINCH PIN	1

*MAIN PART IN GROUP, RELATED PARTS HAVE SAME REFERENCE NUMBER



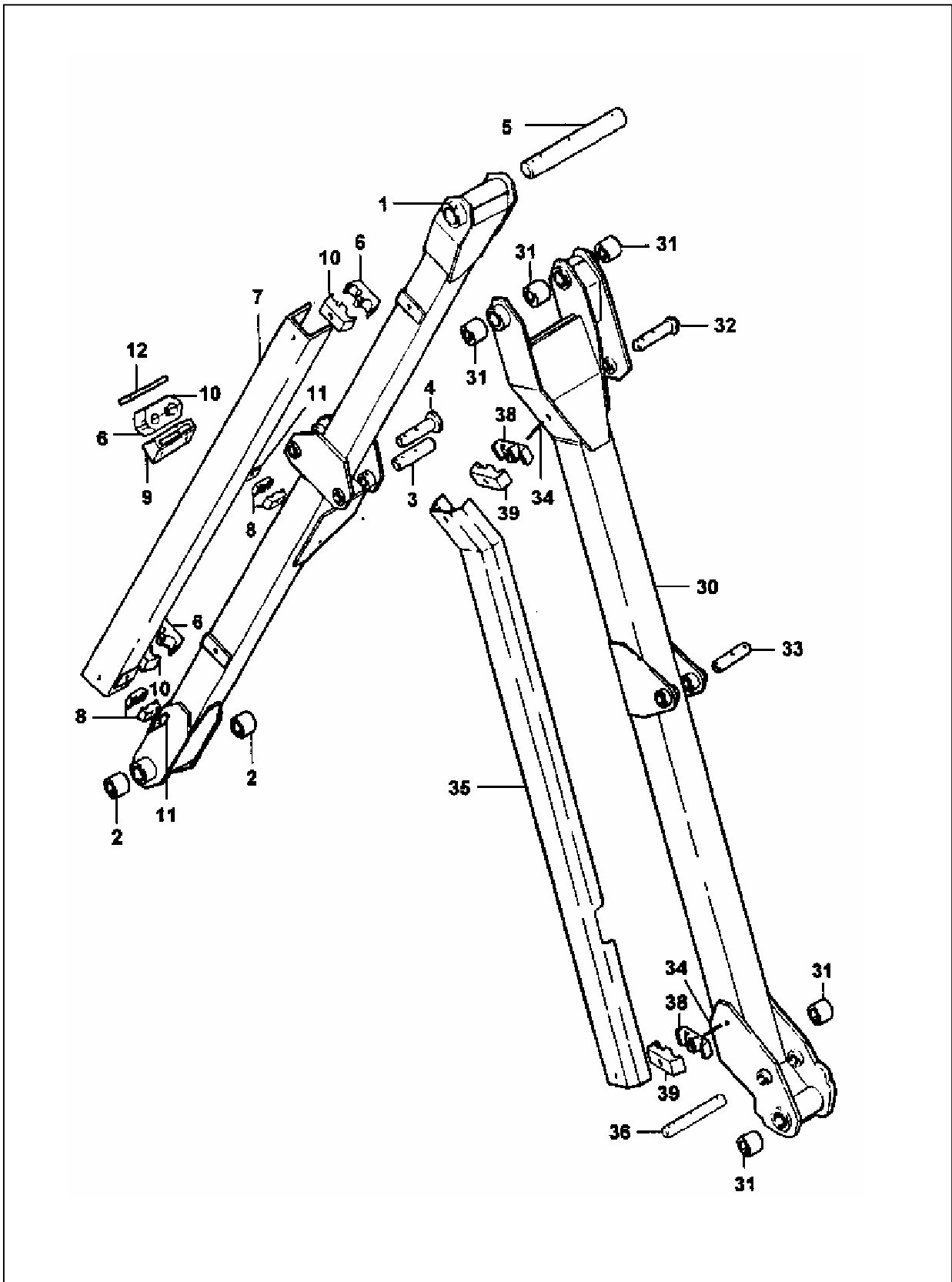
REF	PART NO	DESCRIPTION	QTY
76.452.02 KINGPOST ASSEMBLY			
01	42104.01	KINGPOST	1
*02	03.657.21	PIN 50 DIA X 340	1
02	05.282.03	SPRING WASHER 12MM PLATED	1
02	05.286.03	NUT M12 PLATED	1
02	05.292.24	BOLT M12 X 110MM PLATED	1
*03	03.655.37	PIN DIA 35 X 186	1
03	05.287.02	SELF-LOCKING NUT M10 PLATED	1
03	05.291.18	BOLT M10 X 65 PLATED	1
*04	03.653.70	PIN DIA 25 X 140 LONG	1
04	05.287.01	SELF-LOCKING NUT M8 PLATED	1
04	05.625.29	SOCKET CAPSCREW M8 X 50 PLATED	1
05	05.959.26	CIRCLIP 150MM EXTERNAL	1
06	42390.01	THRUST WASHER 150 X 6	1

***MAIN PART IN GROUP, RELATED PARTS HAVE SAME REFERENCE NUMBER**



REF	PART NO	DESCRIPTION	QTY
76.452.13 DIN 3 VOLVO INTERFACE ASSEMBLY			
*70	42235.01	BRACKET-INTERFACE U140 DIN 3	1
70	05.264.47	SETSCREW M20 X 50MM PLATED	8
70	05.281.06	FLAT WASHER 1" BSF HEAVY	4
70	05.281.05	FLAT WASHER 20MM PLATED	8
70	05.282.05	SPRING WASHER 20MM PLATED	8
70	05.282.06	SPRING WASHER 24MM PLATED	4
70	05.287.05	SELF-LOCKING NUT M20 PLATED	6
76.452.25 VOLVO BM INTERFACE ASSY			
*80	42410.01	BRACKET - VOLVO BM INTERFACE	1
80	05.264.47	SETSCREW M20 X 50MM PLATED	12
80	05.281.05	FLAT WASHER 20MM PLATED	12
80	05.282.05	SPRING WASHER 20MM PLATED	12
80	05.287.05	SELF-LOCKING NUT M20 PLATED	12
76.452.43 TRANSPORT CRUTCH KIT			
*90	42583.01	FRAME - TRANSPORT CRUTCH	1
90	05.264.13	SETSCREW M10 X 30MM PLATED	10
90	05.282.02	SPRING WASHER 10MM PLATE	10
90	05.286.02	NUT M10 PLATED	10

*MAIN PART IN GROUP, RELATED PARTS HAVE SAME REFERENCE NUMBER

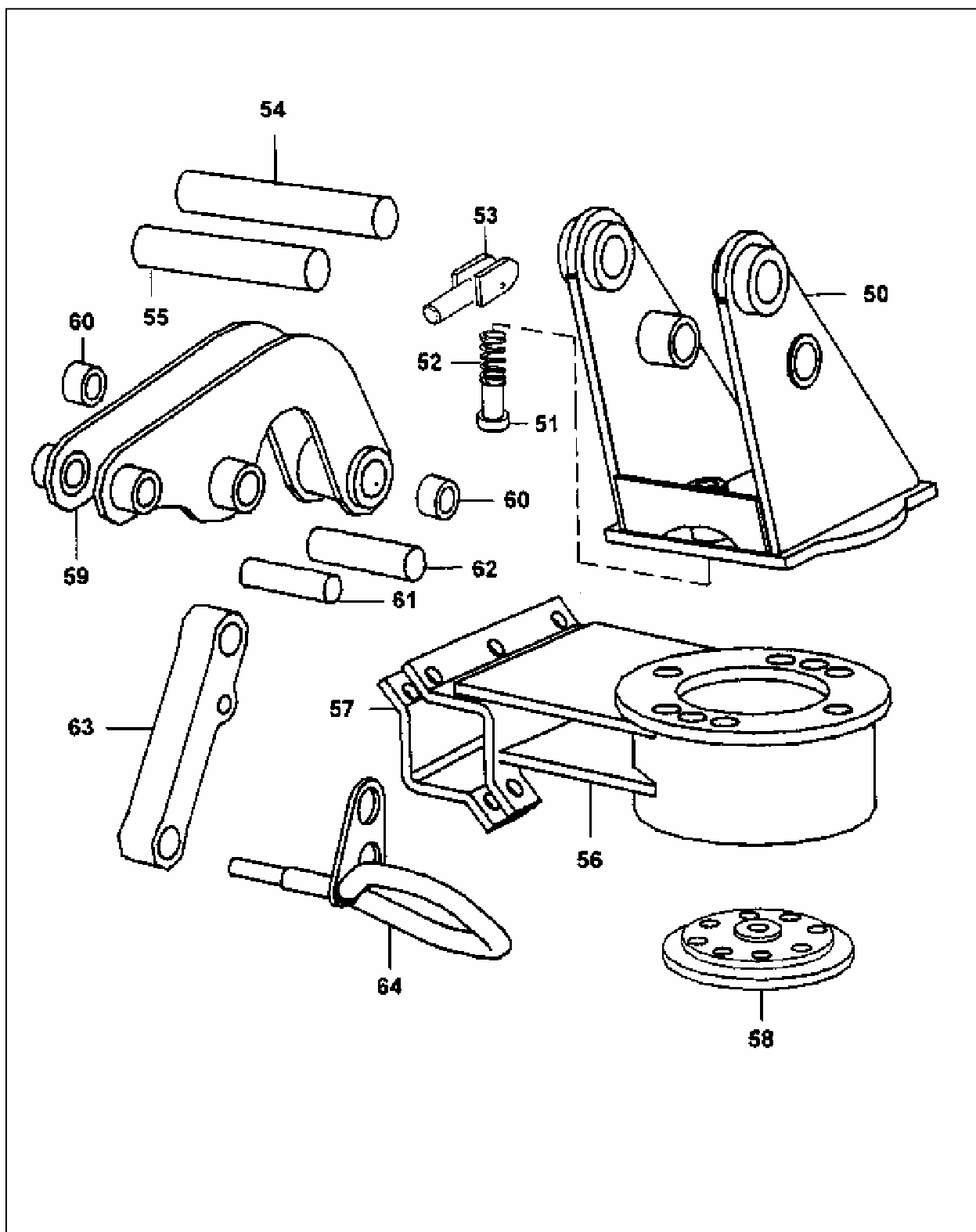


REF	PART NO	DESCRIPTION	QTY
76.030.01 ARM ASSEMBLY - 1ST			
*01	42047.01	ARM - FIRST	1
01	05.953.04	GREASE NIPPLE M10 90 DEG	1
02	08.297.01	BUSH - PLASTIC 60 X 50 X 50	2
*03	03.655.38	PIN - DIA 35 X 168	1
03	05.287.02	SELF-LOCKING NUT M10 PLATED	1
03	05.291.18	BOLT M10 X 65 PLATED	1
*04	03.653.60	PIN - DIA 25 X 120	1
04	05.287.01	SELF-LOCKING NUT M8 PLATED	1
04	05.625.29	SOCKET CAPSCREW M8 X 50 PLATED	1
*05	03.656.67	PIN 40 DIA X 374MM	1
05	03.068.01	SPECIAL SETSCREW M12 X 25	2
05	05.282.03	SPRING WASHER 12MM PLATED	2
05	05.286.02	NUT M10 PLATED	1
05	05.292.11	BOLT M10 X 80MM PLATED	1
05	05.953.01	GREASE NIPPLE M6	2
05	07.942.01	WASHER - M12 SPECIAL	2
*06	06.430.18	HOSE CLAMP-LOWER	3
06	04.282.69	STUD - M10 X 105	3
06	05.281.02	FLT WASHER 10MM PLATED FORM C	3
06	05.282.02	SPRING WASHER 10MM PLATED	3
06	05.286.02	NUT M10 PLATED	3
07	41762.01	HOSE GUARD - FIRST ARM	1
*08	06.430.02	CLAMP HOSE 14 X 14	4
08	04.282.66	STUD - M10 X 56	2
08	05.281.02	FLT WASHER 10MM PLATED FORM C	2
08	05.282.02	SPRING WASHER 10MM PLATED	2
08	05.286.02	NUT M10 PLATED	2
*09	09.924.01	BRACKET - HOSE MOUNTING	1
09	05.282.01	SPRING WASHER 8MM PLATED	2
09	05.839.03	SETSCREW M8 X 16MM PLATED	2
10	06.430.17	HOSE CLAMP - UPPER	3
11	06.418.06	CLAMP PLATE 48 X 6	2
12	06.418.05	CLAMP PLATE 95 X 6	1
99	05.287.01	SELF-LOCKING NUT M8 PLATED	1

*MAIN PART IN GROUP, RELATED PARTS HAVE SAME REFERENCE NUMBER

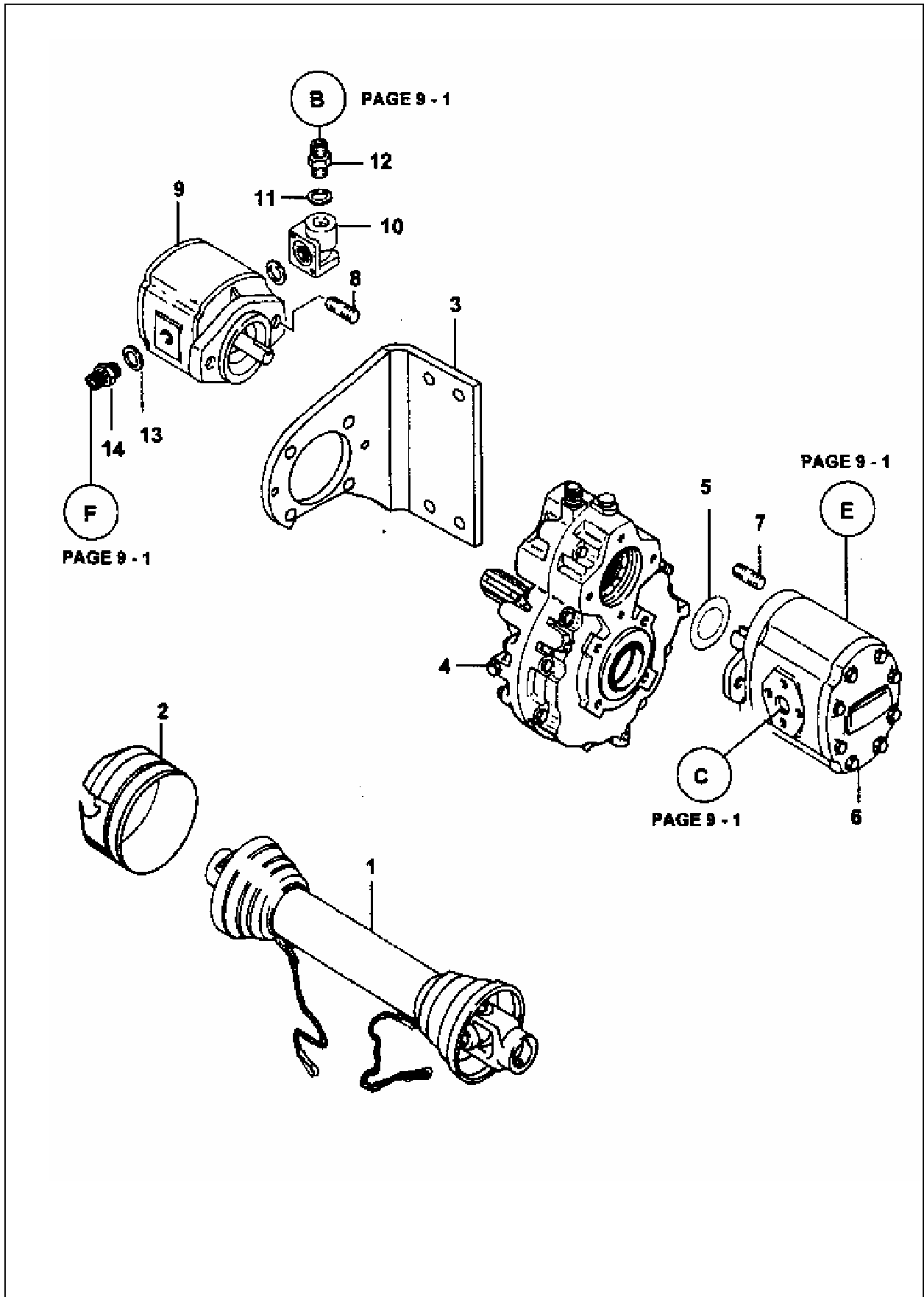
REF	PART NO	DESCRIPTION	QTY
76.033.01 ARM ASSY - 2ND RH			
*30	09.933.02	ARM - SECOND R	1
30	05.953.04	GREASE NIPPLE M10 90 DEG	1
31	08.297.02	BUSH - PLASTIC 47 X 40 X 40	5
*32	03.653.61	PIN - DIA 25 X 128	1
32	05.287.01	SELF-LOCKING NUT M8 PLATED	1
32	05.625.29	SOCKET CAPSCREW M8 X 50 PLATED	1
*33	03.653.58	PIN - DIA 25 X 138	1
33	05.287.01	SELF-LOCKING NUT M8 PLATED	1
33	05.625.29	SOCKET CAPSCREW M8 X 50 PLATED	1
*34	04.282.69	STUD - M10 X 105	2
34	05.281.02	FLAT WASHER 10MM PLATED FORM C	2
34	05.282.02	SPRING WASHER 10MM PLATED	2
34	05.286.02	NUT M10 PLATED	4
35	41763.01	HOSE GUARD - SECOND ARM	1
*36	03.654.60	PIN - DIA 30 X 164	1
36	05.287.01	SELF-LOCKING NUT M8 PLATED	1
36	05.625.30	SOCKET CAPSCREW M8 X 55 PLATED	1
38	06.430.18	HOSE CLAMP-LOWER	2
39	06.430.17	HOSE CLAMP - UPPER	2

***MAIN PART IN GROUP, RELATED PARTS HAVE SAME REFERENCE NUMBER**



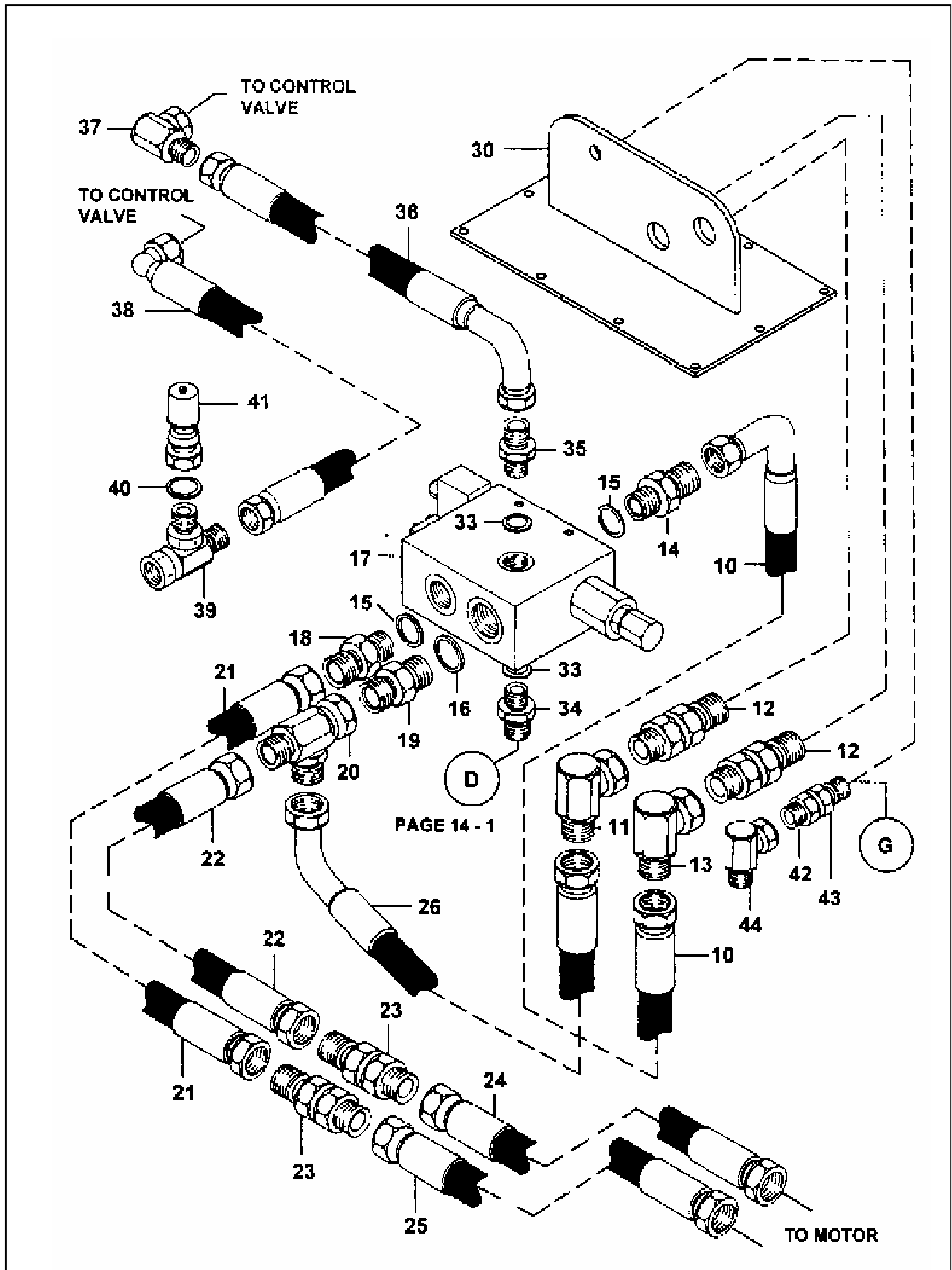
REF	PART NO	DESCRIPTION	QTY
76.452.14 TURNTABLE / COWL LINKAGE			
*50	41942.01	BRACKET - TURNTABLE / ARM	1
50	05.953.01	GREASE NIPPLE M6	4
51	30.124.54	PIN,TURNTABLE LOCKING HM 'S'	1
52	30.207.74	SPRING,COMPRESSION 2 1/2" LONG	1
*53	30.124.56	LEVER,LOCKING PIN RELEASE 'S'	1
53	05.264.66	SETSCREW M6 X 40MM PLATED	1
53	30.070.64	NUT NYLOC M6.Z/P.	1
*54	03.656.86	PIN DIA 40 - 246 LONG	1
54	05.287.02	SELF-LOCKING NUT M10 PLATED	1
54	05.292.11	BOLT M10 X 80MM PLATED	1
*55	03.655.44	PIN DIA 35 - 188	1
55	05.287.02	SELF-LOCKING NUT M10 PLATED	1
55	05.291.18	BOLT M10 X 65 PLATED	1
56	41943.01	BRACKET - TURNTABLE/HEAD	1
*57	09.664.01	PLATE - COWL CLAMP	1
57	05.264.37	SETSCREW M16 X 50MM PLATED	5
57	05.282.04	SPRING WASHER 16MM PLATED	5
57	05.286.04	NUT M16 PLATED	5
*58	30.124.52	TURNTABLE SWIVEL DISC	1
58	30.700.02	SOCKET M/C SCREW M16 X 70 CSK	6
59	05.953.03	GREASE NIPPLE M10	1
*59	09.785.01	BRACKET - COWL LINK	1
60	08.297.05	PLASTIC BUSH - 42 X 35 - 30	2
*61	03.653.59	PIN - DIA 25 X 128	1
61	05.287.01	SELF-LOCKING NUT M8 PLATED	1
61	05.625.29	SOCKET CAPSCREW M8 X 50 PLATED	1
*62	03.654.59	PIN - DIA 30 X 128	1
62	05.287.01	SELF-LOCKING NUT M8 PLATED	1
62	05.625.30	SOCKET CAPSCREW M8 X 55 PLATED	1
*63	09.786.01	LINK	1
63	05.953.01	GREASE NIPPLE M6	1
63	05.953.05	GREASE NIPPLE M6 X 90DEG	1
*64	41.040.02	BRACKET-HOSE RH	1
64	05.282.04	SPRING WASHER 16MM PLATED	1
64	05.286.04	NUT M16 PLATED	1

***MAIN PART IN GROUP, RELATED PARTS HAVE SAME REFERENCE NUMBER**



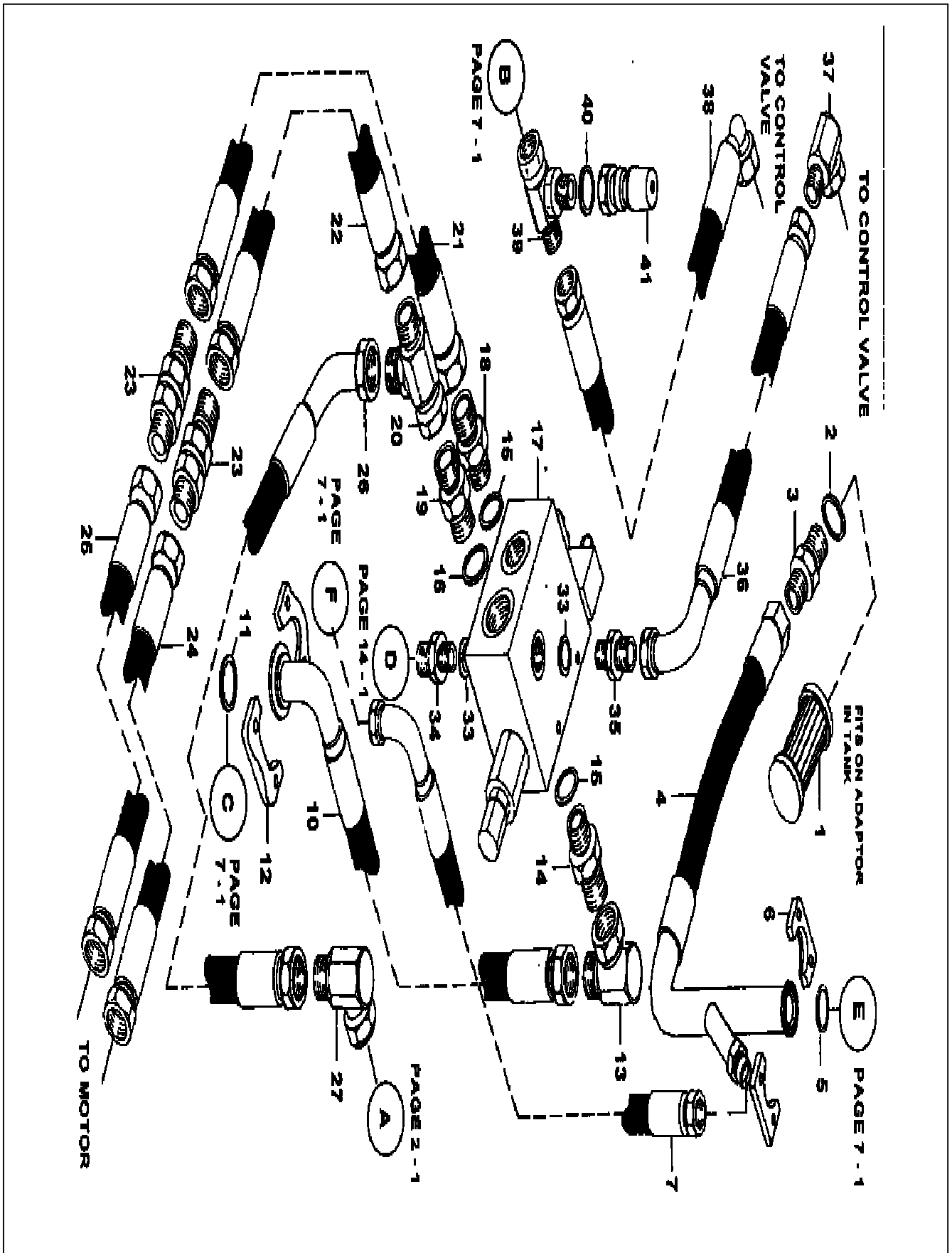
REF	PART NO	DESCRIPTION	QTY
76.452.03 PUMPS / GEARBOX ASSEMBLY			
*01	41624.01	PTO SHAFT ASSY 560 MM C/C	1
01	41624.32	COMPLETE SHIELD	-
01	41642.31	LAYSHAFT	-
*02	08.548.02	PTO PLASTIC CUP GUARD (REV DR)	1
02	05.281.01	FLAT WASHER 8MM PLATED	2
02	05.282.01	SPRING WASHER 8MM PLATED	2
02	05.839.03	SETSCREW M8 X 16MM PLATED	2
*03	42105.01	PLATE - GEARBOX MOUNTING	1
03	05.264.23	SETSCREW M12 X 30MM PLATED	4
03	05.282.03	SPRING WASHER 12MM PLATED	4
*04	07.727.02	GEAR BOX HITON LS 3:1 SAE B/A	1
04	05.264.23	SETSCREW M12 X 30MM PLATED	4
04	05.282.03	SPRING WASHER 12MM PLATED	4
05	41421.01	GASKET - PUMP FACE	1
06	09.536.02	PUMP - ULTRA 3PL REV DRIVE	1
*07	04.282.74	STUD - M12 X 46	2
07	05.286.03	NUT M12 PLATED	2
*08	03.100.01	STUD M10 X 34MM	2
08	05.286.02	NUT M10 PLATED	2
09	09.537.06	PUMP - ULTRA 1PX100 REV DRIVE	1
*10	30.210.91	CONNECTOR 1P E4Z OUT - PLATED	1
10	05.625.25	SCKT CAPSCREW 5/16"UNC X 2.1/4	2
11	05.290.05	BONDED SEAL 1/2"BSP	1
12	05.123.01	ADAPTOR 1/2" BSP X 3/8" BSP	1
13	05.290.05	BONDED SEAL 1/2"BSP	1
14	30.059.84	ADAPTOR 1/2 BSPM / 1 BSPM	1

*MAIN PART IN GROUP, RELATED PARTS HAVE SAME REFERENCE NUMBER



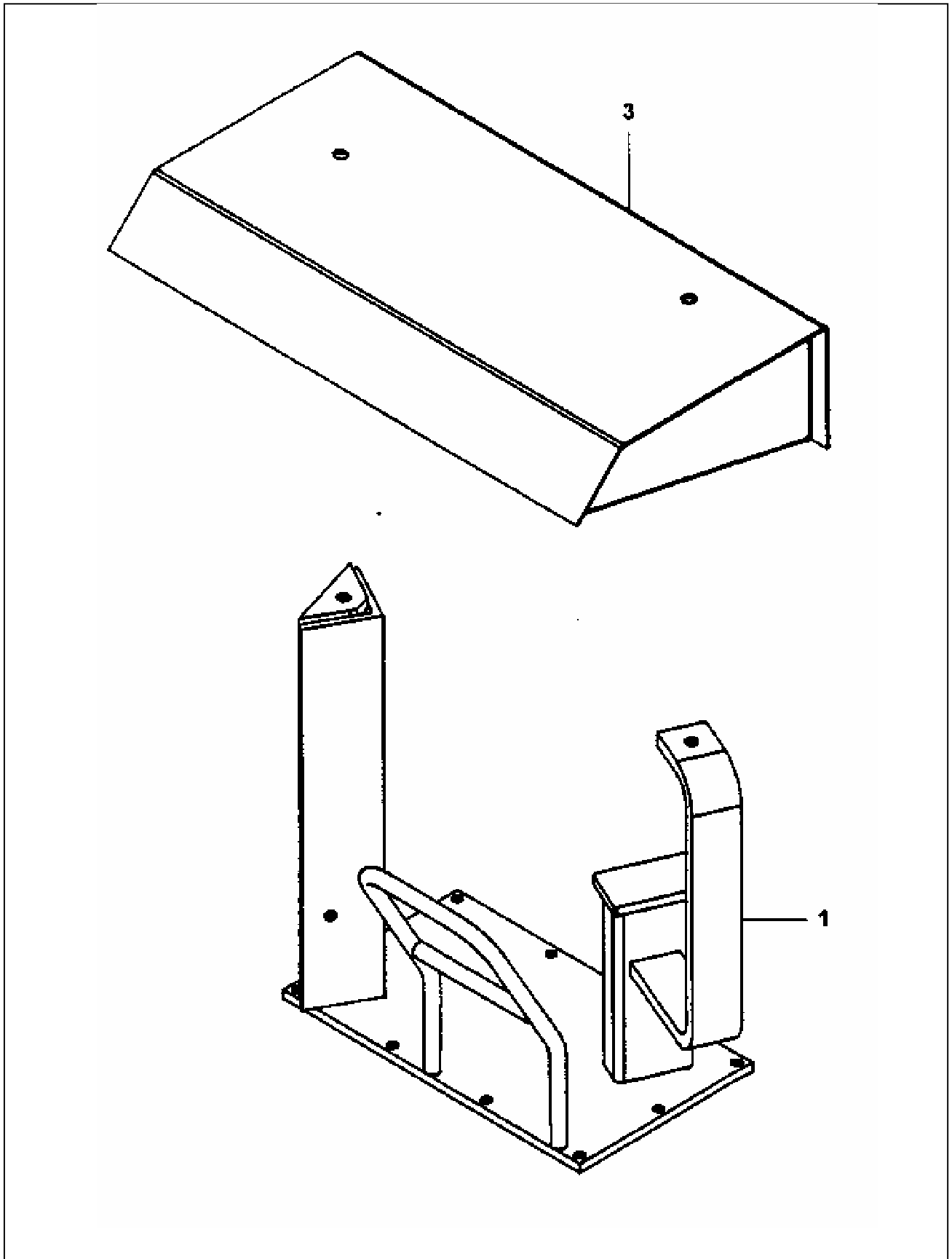
REF	PART NO	DESCRIPTION	QTY
76.452.33 HYDRAULIC POWER CIRCUIT			
10	10.012.18	HOSE 1" BSP ST X 90 S.SEAL 900	1
11	05.835.02	ADAPTOR-SWIVEL 90 1"BSP M/F	1
12	08.128.03	ADAPTR 1"BSP BULKHEAD C/W LNUT	2
13	05.835.02	ADAPTOR-SWIVEL 90 1"BSP M/F	1
14	05.373.01	ADAPTOR 3/4"BSP X 1"BSP	1
15	05.290.06	BONDED SEAL 3/4"BSP	2
16	05.290.07	BONDED SEAL 1"BSP	1
*17	08.943.01	RELIEF VALVE/DIVERTER-ELECTRIC	1
17	08.943.02	SEAL KIT - FOR 08.943.01	-
18	05.373.01	ADAPTOR 3/4"BSP X 1"BSP	1
19	05.434.01	ADAPTOR 1"BSP X 1"BSP	1
20	04.056.02	ADAPTOR-SWIVEL TEE 1"BSP F/M/M	1
21	10.012.73	HOSE 1"BSP ST X 90 S.SEAL 6300	1
22	10.012.73	HOSE 1"BSP ST X 90 S.SEAL 6300	1
23	08.128.03	ADAPTR 1"BSP BULKHEAD C/W LNUT	2
24	10.011.26	HOSE 1"BSP ST X ST S.SEAL 1600	1
25	10.011.26	HOSE 1"BSP ST X ST S.SEAL 1600	1
26	10.022.04	HOSE 1"BSP ST X 135 S.S'L 800	1
*30	42399.01	BRACKET - HOSE MOUNT	1
30	05.281.01	FLAT WASHER 8MM PLATED	10
30	05.286.01	NUT M8 PLATED	10
33	05.290.04	BONDED SEAL 3/8"BSP	2
34	01.099.01	ADAPTOR 3/8BSP X 1/4BSP	1
35	05.123.01	ADAPTOR 1/2" BSP X 3/8" BSP	1
36	10.006.10	HOSE 1/2"BSP ST X 90 S.SEAL 500	1
37	05.835.05	ADAPTOR-SWIVEL 90 1/2"BSP M/F	1
38	10.004.22	HOSE 3/8"BSP ST X 90 S.SEAL 1200	1
39	04.056.16	ADAPTOR F/M/M 3/8 X 3/8 X 1/4 BSP	1
40	05.290.02	BONDED SEAL 1/4"BSP	1
41	05.146.12	Q/R COUPLING 1/4" BSP MALE	1
42	06.620.01	ADAPTOR 3/8"BSP X 3/8"BSP EXT.D	1
43	11.085.85	LOCK NUT (THIN) 3/8"BSP PLATED	1
44	05.835.01	ADAPTOR-SWIVEL 90 3/8"BSP M/F	1

*MAIN PART IN GROUP, RELATED PARTS HAVE SAME REFERENCE NUMBER



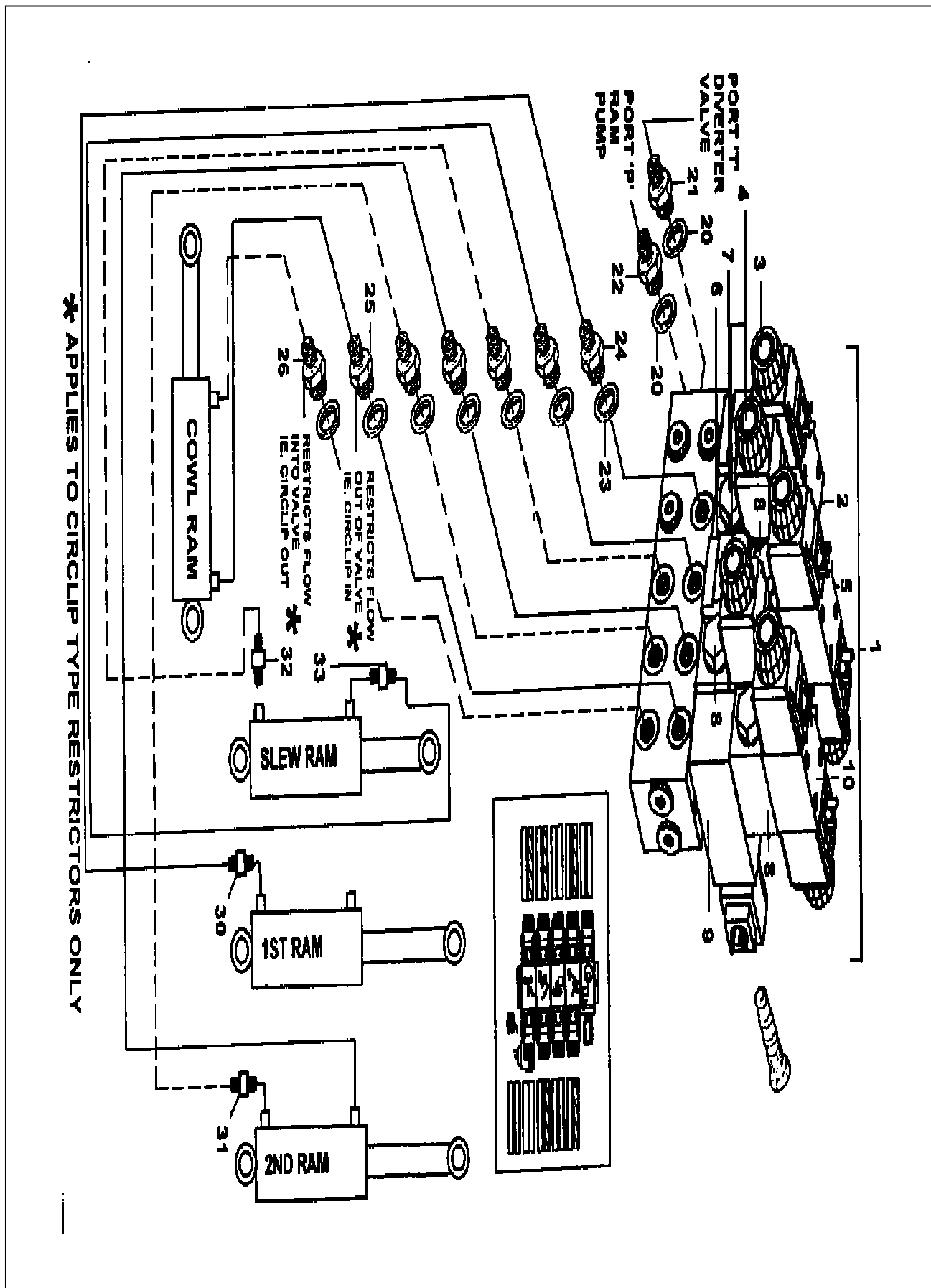
REF	PART NO	DESCRIPTION	QTY
76.452.36 PUMP CIRCUIT B49			
01	8401047	UC-SE-1324 SUCTION	1
02	05.290.09	BONDED SEAL 1.1/2"BSP	1
03	05.374.02	ADAPTOR 1.1/2" X 1.1/2" BSP PL	1
04	42192.01	SUCTION HOSE - TWIN PUMP	1
05	8600303	O RING 200-225-4490	1
*06	41.294.01	SPLIT FLANGE 1.1/2"SAE 3000PSI	2
06	0342104	CAPSCREW 1/2"UNC 1.1/4"LGBZP	4
07	10.012.11	HOSE 1"BSP ST X 90 S.SEAL 550	1
10	10.022.30	HOSE 1"ST(BSP) X 90FLANGE 1160LG	1
11	8600124	O RING 200-219-4490	1
*12	01.697.03	SPLIT FLANGE 1"SAE3000PSI	2
12	0342103	CAPCREW 3/8"UNC 1.1/4"LGBZP	4
13	05.835.02	ADAPTOR-SWIVEL 90 1"BSP M/F	1
14	05.373.01	ADAPTOR 3/4"BSP X 1"BSP	1
15	05.290.06	BONDED SEAL 3/4"BSP	2
16	05.290.07	BONDED SEAL 1"BSP	1
*17	08.943.01	RELIEF VALVE/DIVERTER-ELECTRIC	1
17	08.943.02	SEAL KIT - FOR 08.943.01	-
18	05.373.01	ADAPTOR 3/4"BSP X 1"BSP	1
19	05.434.01	ADAPTOR 1"BSP X 1"BSP	1
20	04.056.02	ADAPTOR-SWIVEL TEE 1"BSP F/M/M	1
23	08.128.03	ADAPTR 1"BSP BULKHEAD C/W LNUT	2
24	10.011.26	HOSE 1"BSP ST X ST S.SEAL 1600	1
25	10.011.26	HOSE 1"BSP ST X ST S.SEAL 1600	1
26	10.022.37	HOSE 1"BSP ST X 135 S.S'L 1000	1
27	05.835.02	ADAPTOR-SWIVEL 90 1"BSP M/F	1
33	05.290.04	BONDED SEAL 3/8"BSP	2
34	01.099.01	ADAPTOR 3/8BSP X1/4BSP	1
35	05.123.01	ADAPTOR 1/2" BSP X 3/8" BSP	1
36	10.006.10	HOSE 1/2"BSP STX90 S.SEAL 500	1
37	05.835.05	ADAPTOR-SWIVEL 90 1/2"BSP M/F	1
38	10.004.22	HOSE 3/8"BSP ST X 90 S.SEAL 1200	1
39	04.056.16	ADAPTOR F/M/M 3/8 X 3/8 X 1/4 BSP	1
40	05.290.02	BONDED SEAL 1/4"BSP	1
41	05.146.12	Q/R COUPLING 1/4" BSP MALE	1

*MAIN PART IN GROUP, RELATED PARTS HAVE SAME REFERENCE NUMBER



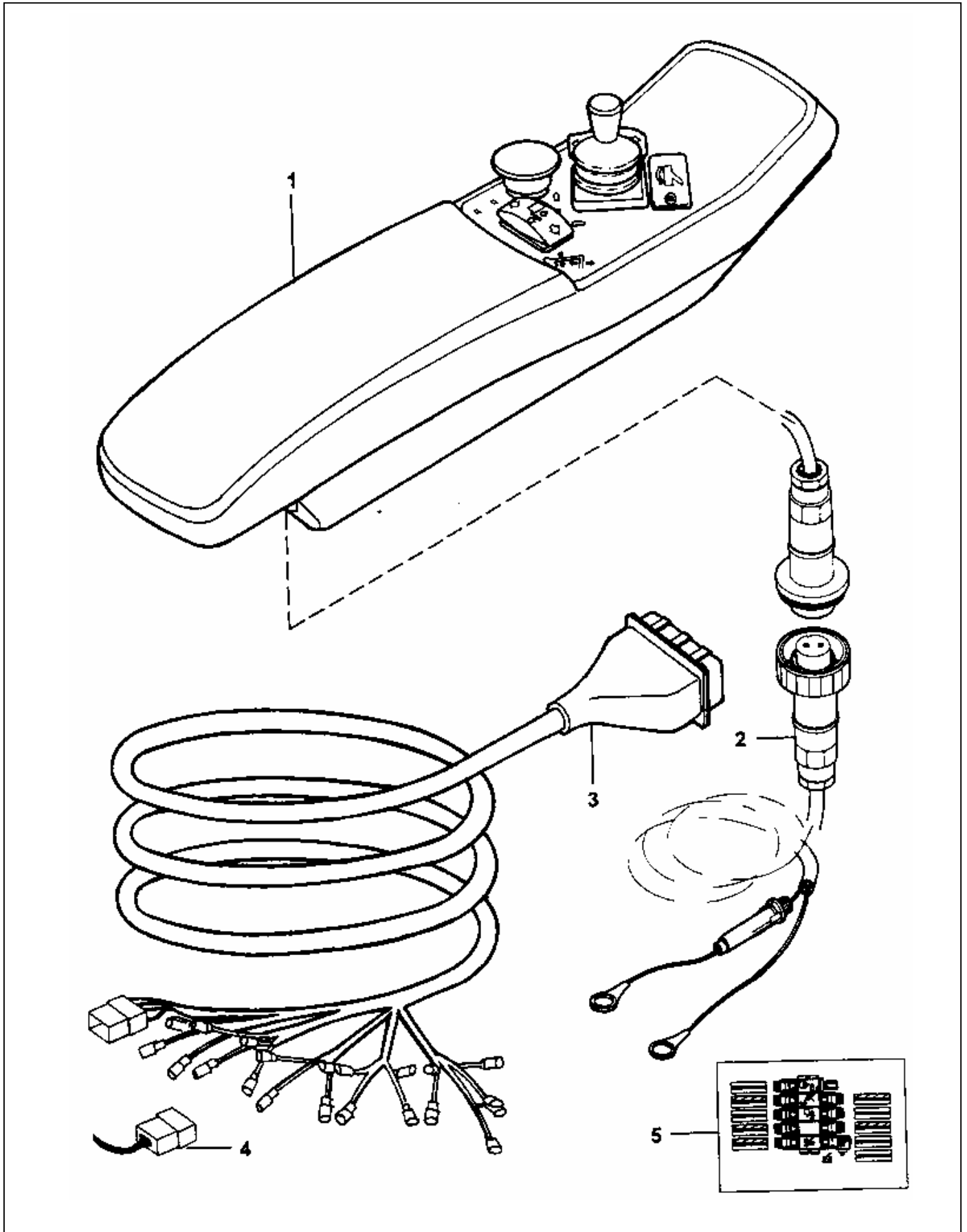
REF	PART NO	DESCRIPTION	QTY
76.452.05 CONTROL VALVE MOUNTINGS			
*01	42137.01	BRACKET - VALVES MOUNTING	1
01	05.282.01	SPRING WASHER 8MM PLATED	2
01	05.286.01	NUT M8 PLATED	2
01	05.292.03	BOLT M8 X 100MM PLATED	2
*03	42448.01	COVER - VALVE	1
03	05.264.22	SETSCREW M12 X 25MM PLATED	2
03	05.281.03	FLAT WASHER 12MM PLATED	2
03	05.282.03	SPRING WASHER 12MM PLATED	2

***MAIN PART IN GROUP, RELATED PARTS HAVE SAME REFERENCE NUMBER**



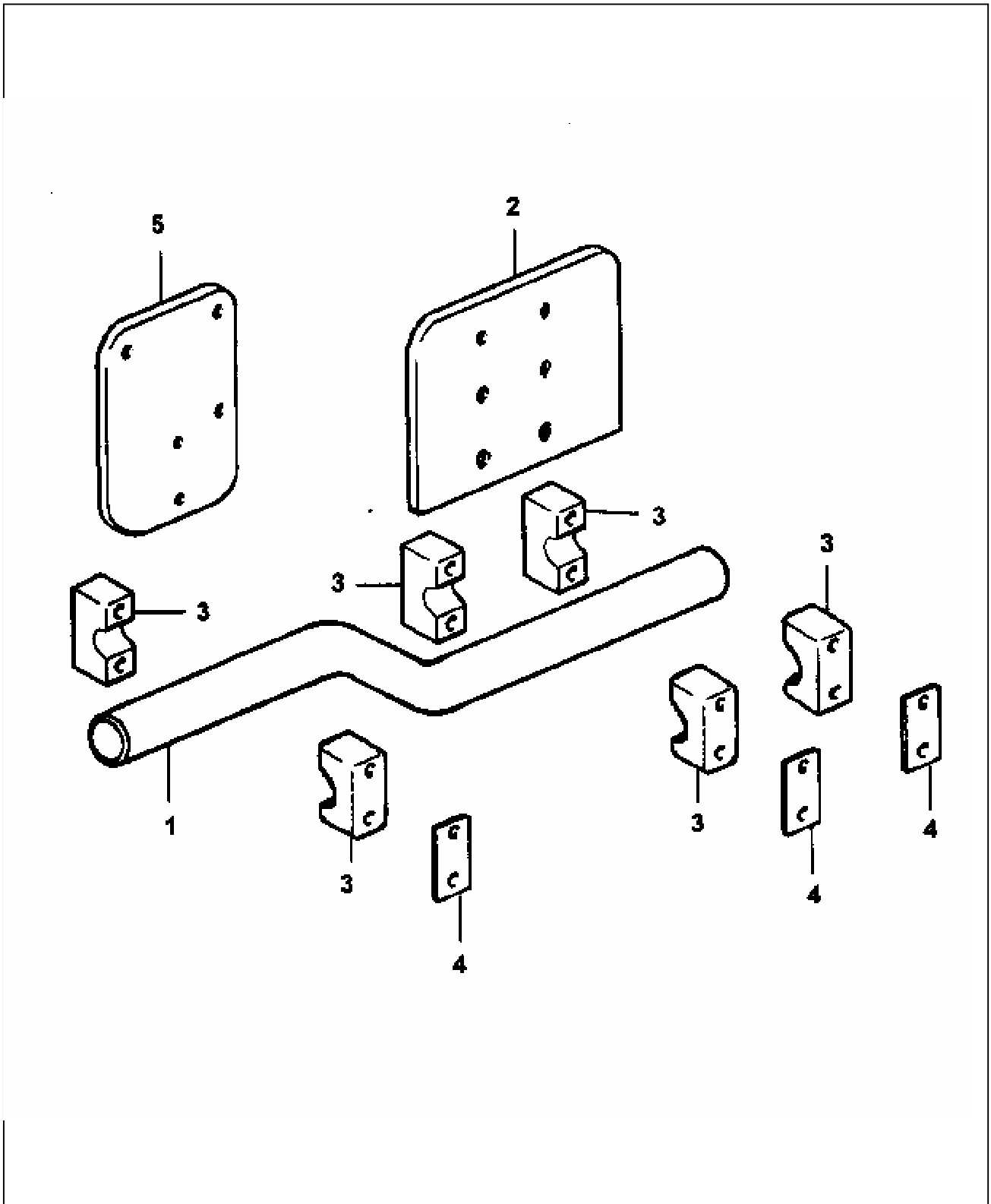
REF	PART NO	DESCRIPTION	QTY
76.452.45 EPP II CONTROL VALVE ASSEMBLY			
01	30.073.93	SCREW M5 X 16MM 8.8 GRADE	4
01	41784.02	CONTROL VALVE 4 SERVICE	1
02	41784.37	RELIEF VALVE CARTRIDGE 207BAR	-
03	08.852.51	CETOP 3 VENT VALVE	-
04	41784.31	SPOOL VALVE PROPORTIONAL	-
05	41784.35	CETOP 3 CLOSED CENTRE	-
06	41784.39	RELIEF VALVE CARTRIDGE	-
07	08.852.55	CETOP 3 SINGLE PO CHECK VALVE	-
08	08.852.53	CETOP 3 DUAL PO CHECK VALVE	-
09	41784.33	VALVE CARTRIDGE - HEAD FLOAT	-
10	08.852.52	CETOP 3 MOTOR SPOOL VALVE	-
20	05.290.05	BONDED SEAL 1/2"BSP	2
21	05.123.01	ADAPTOR 1/2" BSP X 3/8" BSP	1
22	05.122.01	ADAPTOR 1/2" BSP X 1/2" BSP	1
23	05.290.04	BONDED SEAL 3/8"BSP	7
24	01.099.01	ADAPTOR 3/8"BSP X 1/4"BSP	3
25	07.605.01	RESTRICTOR 3/8" X 1/4"BSP 1.00MM	1
26	07.605.01	RESTRICTOR 3/8" X 1/4"BSP 1.00MM	1
30	03.028.12	RESTRICTOR 3/8" X 1/4"BSP	1
31	03.028.12	RESTRICTOR 3/8" X 1/4"BSP	1
32	03.028.12	RESTRICTOR 3/8" X 1/4"BSP	1
33	03.028.16	RESTRICTOR 3/8" X 1/4"BSP	1

***MAIN PART IN GROUP, RELATED PARTS HAVE SAME REFERENCE NUMBER**



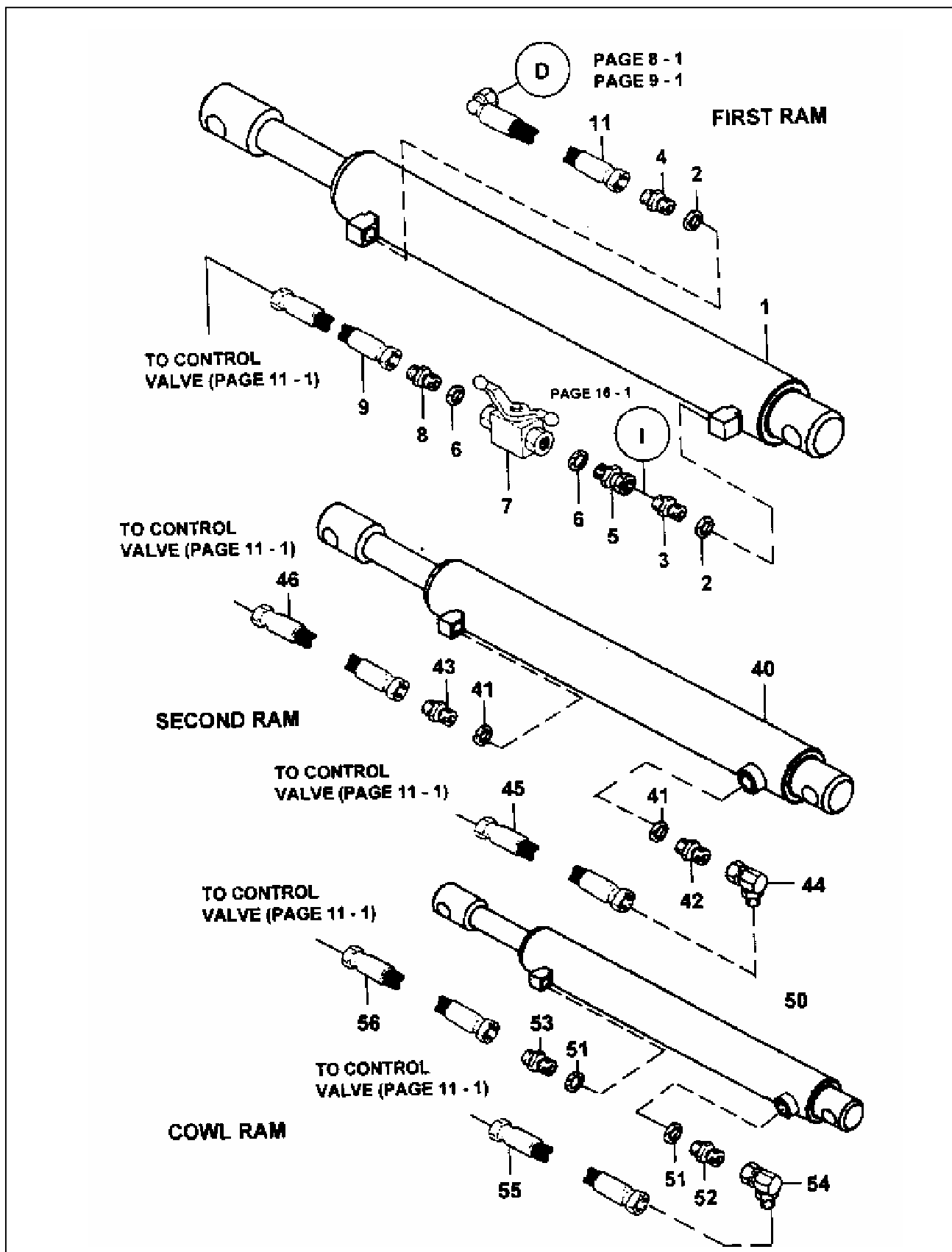
REF	PART NO	DESCRIPTION	QTY
76.452.16 EPP II REMOTE CONTROL ASSEMBLY			
01	42226.24	CONTROL BOX EPPII 4SERV + MTR	1
*02	08.987.01	CABLE ASSY - 2 CORE X 5.5M HEAVY	1
02	06.616.02	FUSE - 15A IN-LINE	-
03	42197.25	WIRE LOOM 6M	1
04	42392.01	WIRE LOOM AUXILIARY MOTOR CONTROL	1
05	41814.02	DECAL - 4 SERVICE	1

***MAIN PART IN GROUP, RELATED PARTS HAVE SAME REFERENCE NUMBER**



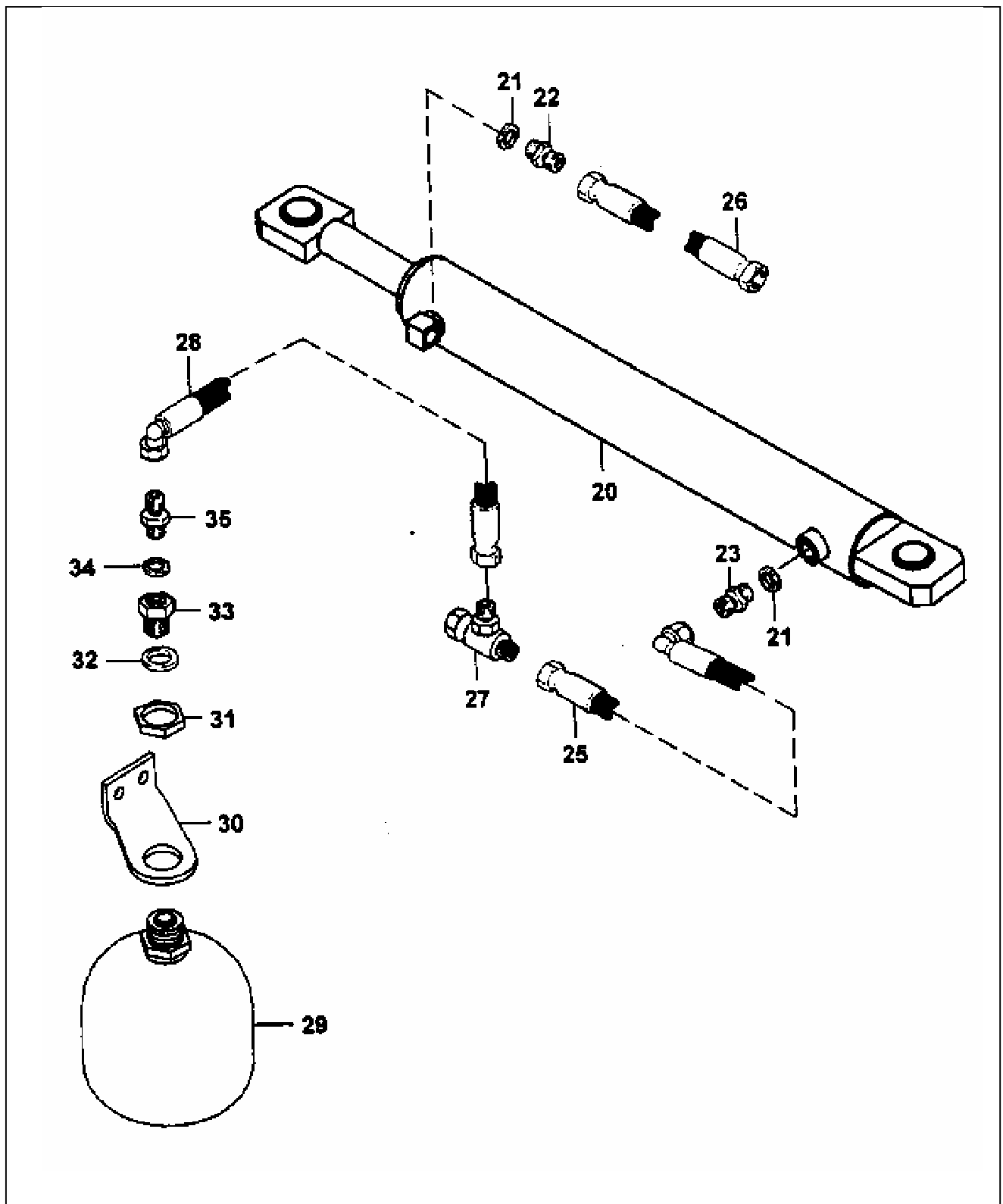
REF	PART NO	DESCRIPTION	QTY
76.426.23 EPP II RCA CAB SIDE MOUNTING			
01	42312.01	BRACKET - CAB MOUNTING	1
*02	08.317.01	PLATE - CONTROL BOX	1
02	05.264.02	SETSCREW M8 X 25MM PLATED	2
02	05.281.01	FLAT WASHER 8MM PLATED	2
02	05.282.01	SPRING WASHER 8MM PLATED	2
02	05.948.07	WING NUT M8 - PLATED	2
*03	30.209.71	CLAMP SINGLE 1"	6
03	30.068.90	BOLT M6 X 55 MM 8.8 GRADE Z/P.	4
03	30.070.64	NUT NYLOC M6.Z/P.	6
04	30.209.73	COVER PLATE	3
*05	41.046.01	PLATE - LEVER MOUNTING	1
05	05.282.07	SPRING WASHER 6MM PLATED	3
05	05.948.37	WINGNUT - M6 X 1.0	3
05	30.068.88	BOLT M6 X 45 MM 8.8 GRADE Z/P.	2
05	30.068.90	BOLT M6 X 55 MM 8.8 GRADE Z/P.	3

*MAIN PART IN GROUP, RELATED PARTS HAVE SAME REFERENCE NUMBER



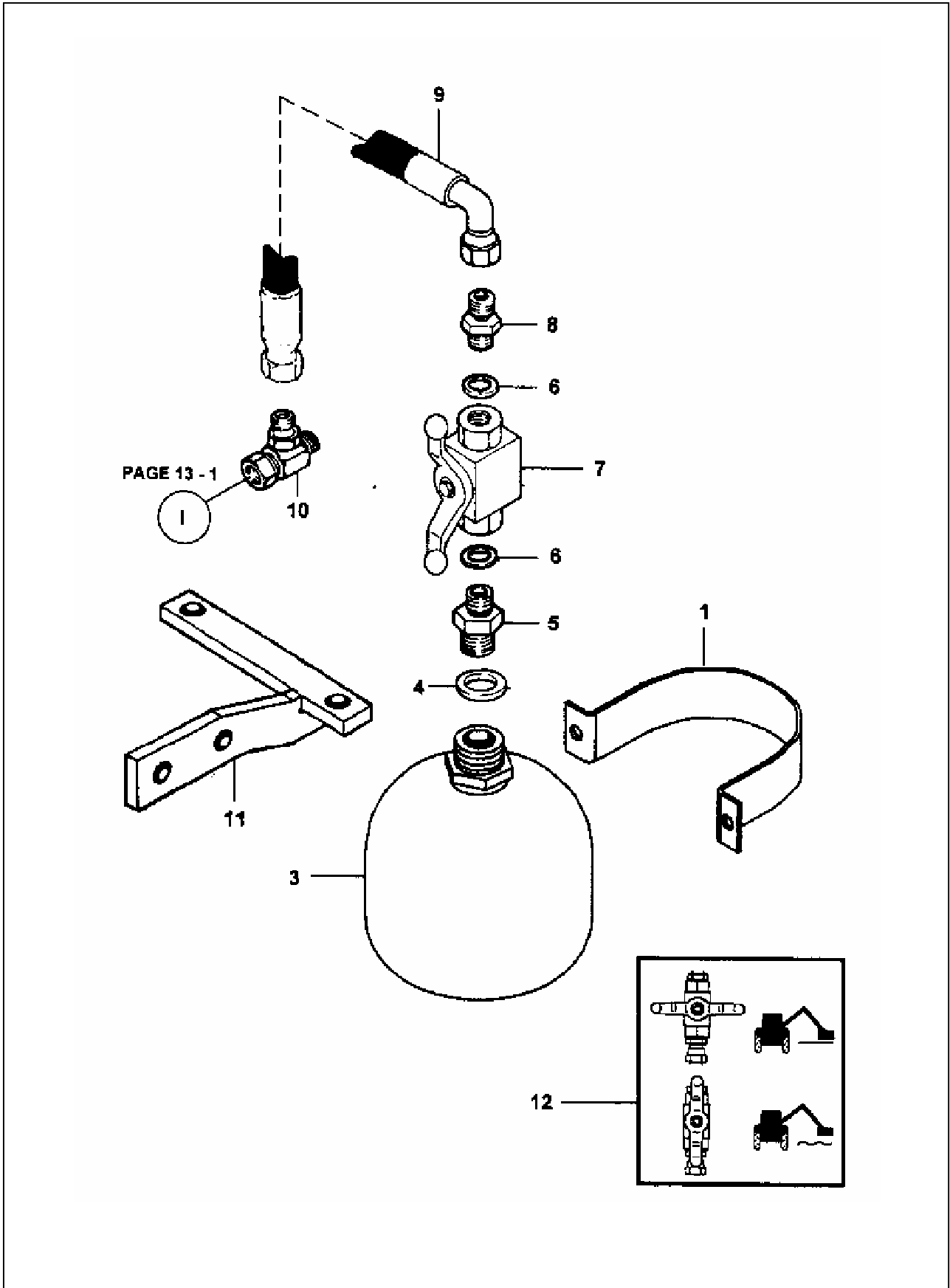
REF	PART NO	DESCRIPTION	QTY
76.452.07 FIRST RAM CIRCUIT			
*01	09.993.06	RAM ASSY-D/A 80 BORE X 615 STK	1
01	05.953.01	GREASE NIPPLE M6	2
01	09.993.01	SEAL KIT FOR 09.993.XX RAMS	-
02	05.290.04	BONDED SEAL 3/8"BSP	2
03	05.124.01	ADAPTOR 3/8" BSP X 3/8" BSP	1
04	01.099.01	ADAPTOR 3/8BSP X1/4BSP	1
05	02.714.01	ADAPTOR-SWIVEL ST 3/8BSP M/F	1
06	05.290.04	BONDED SEAL 3/8"BSP	2
07	08.200.01	VALVE - ISOLATING 3/8" BSP	1
08	03.028.12	RESTRICTOR 3/8" X 1/4" BSP 1.70	1
09	10.001.38	HOSE 1/4"BSP ST X ST S.SEAL 2800	1
11	10.002.38	HOSE 1/4"BSP ST X 90 S.SEAL 2800	1
12	08.297.08	PLASTIC BUSH - 42 X 35 - 60	2
76.452.08 SECOND RAM CIRCUIT			
*40	09.982.09	RAM ASSY-D/A 60 BORE X 605 STK	1
40	05.953.01	GREASE NIPPLE M6	2
40	09.982.01	SEAL KIT FOR 09.982.XX RAMS	-
41	05.290.04	BONDED SEAL 3/8"BSP	2
42	03.028.12	RESTRICTOR 3/8" X 1/4BSP 1.70	1
43	01.099.01	ADAPTOR 3/8"BSP X1/4BSP	1
44	05.835.04	ADAPTOR - SWIVEL 90 1/4"BSP MF	1
45	10.001.39	HOSE 1/4"BSP ST/ST S.SEAL 2900	1
46	10.001.45	HOSE 1/4"BSP ST X ST S.SEAL 3500	1
47	08.297.09	PLASTIC BUSH - 32 X 25 - 50	2
76.452.29 COWL RAM CIRCUIT B49			
*50	09.982.06	RAM ASSY - D/A 60 BORE X 430 STK	1
50	05.953.01	GREASE NIPPLE M6	2
50	09.982.01	SEAL KIT FOR 09.982.XX RAMS	-
51	05.290.04	BONDED SEAL 3/8"BSP	2
52	01.099.01	ADAPTOR 3/8BSP X1/4BSP	1
53	01.099.01	ADAPTOR 3/8BSP X1/4BSP	1
54	05.835.04	ADAPTOR - SWIVEL 90 1/4"BSP MF	1
55	10.001.67	HOSE 1/4"BSP ST X ST S.SEAL 5700	1
56	10.001.66	HOSE 1/4"BSP ST X ST S.SEAL 5600	1

*MAIN PART IN GROUP, RELATED PARTS HAVE SAME REFERENCE NUMBER



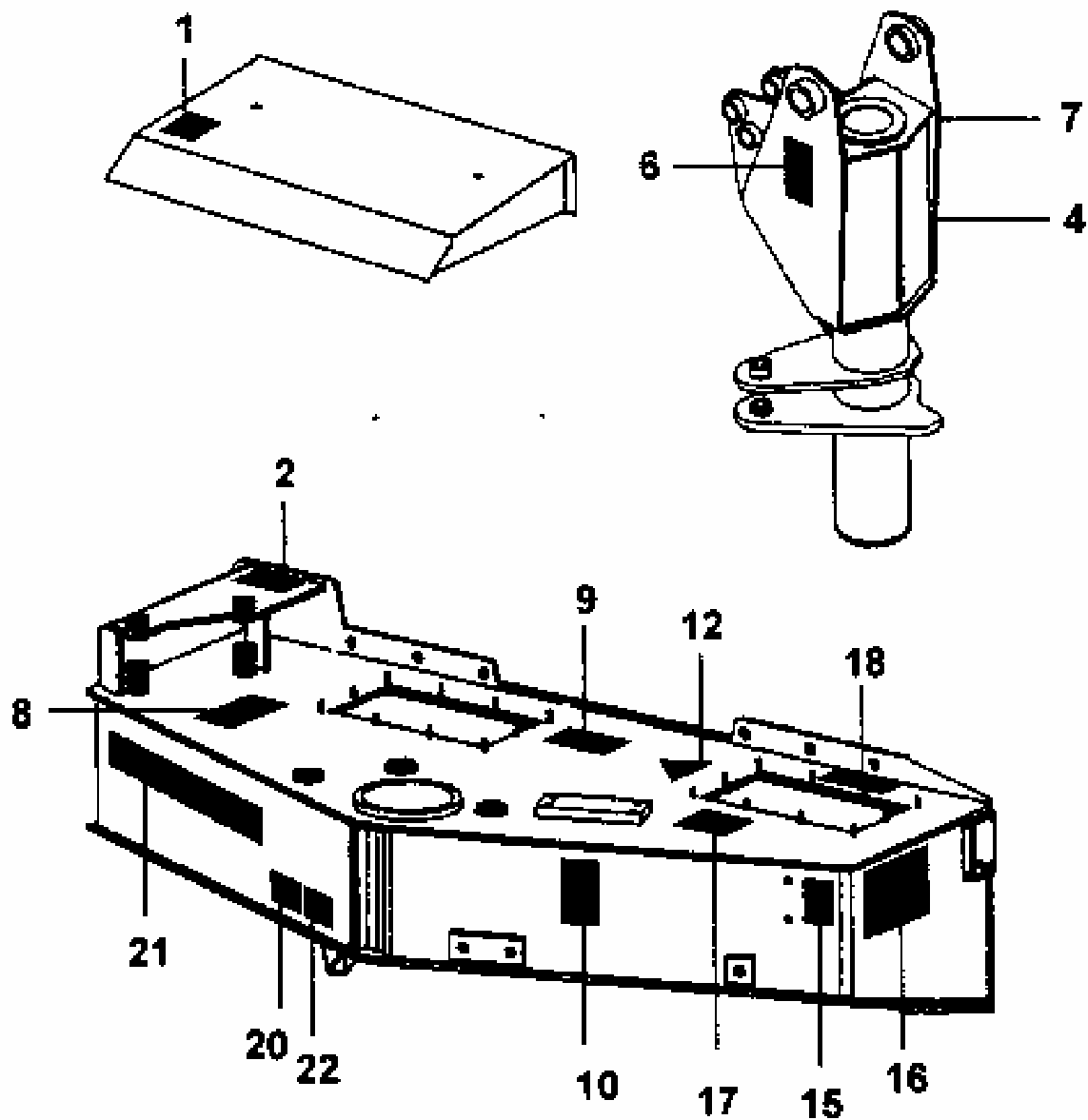
REF	PART NO	DESCRIPTION	QTY
76.452.44 SLEW RAM CIRCUIT			
*20	09.982.11	RAM ASSY - 60 BORE 40 ROD 360	1
20	09.982.01	SEAL KIT FOR 09.982.XX RAMS	-
21	05.290.04	BONDED SEAL 3/8"BSP	2
22	03.028.14	RESTRICTOR 3/8"BSP X 1/4"BSP 0.75MM	1
23	03.028.08	RESTRICTOR 3/8"BSP X 1/4"BSP 1.27MM	1
25	10.002.16	HOSE 1/4"BSP ST X 90 S.SEAL 800	1
26	10.001.16	HOSE 1/4"BSP ST X ST S.SEAL 800	1
27	04.056.10	ADAPTOR - TEE 1/4"BSP F/M/M	1
28	10.002.08	HOSE 1/4"BSP ST X 90 S.SEAL 400	1
29	8126043	ACCUMULATOR 1.4LT - 90 BAR	1
30	05.264.13	SETSCREW M10 X 30MM PLATED	2
30	05.282.02	SPRING WASHER M10 PLATED	2
30	05.286.02	NUT M10 PLATED	2
*30	42586.01	BRACKET - ACCUMULATOR	1
31	8126035	M33 BULKHEAD NUT 'THIN'	1
32	8650322	M22 BONDED SEAL	1
33	8581284	ADAPTOR M22 X 3/8"BSP MF	1
34	05.290.04	BONDED SEAL 3/8" BSP	1
35	03.028.08	RESTRICTOR 3/8" X 1/4" BSP 1.27	1

***MAIN PART IN GROUP, RELATED PARTS HAVE SAME REFERENCE NUMBER**

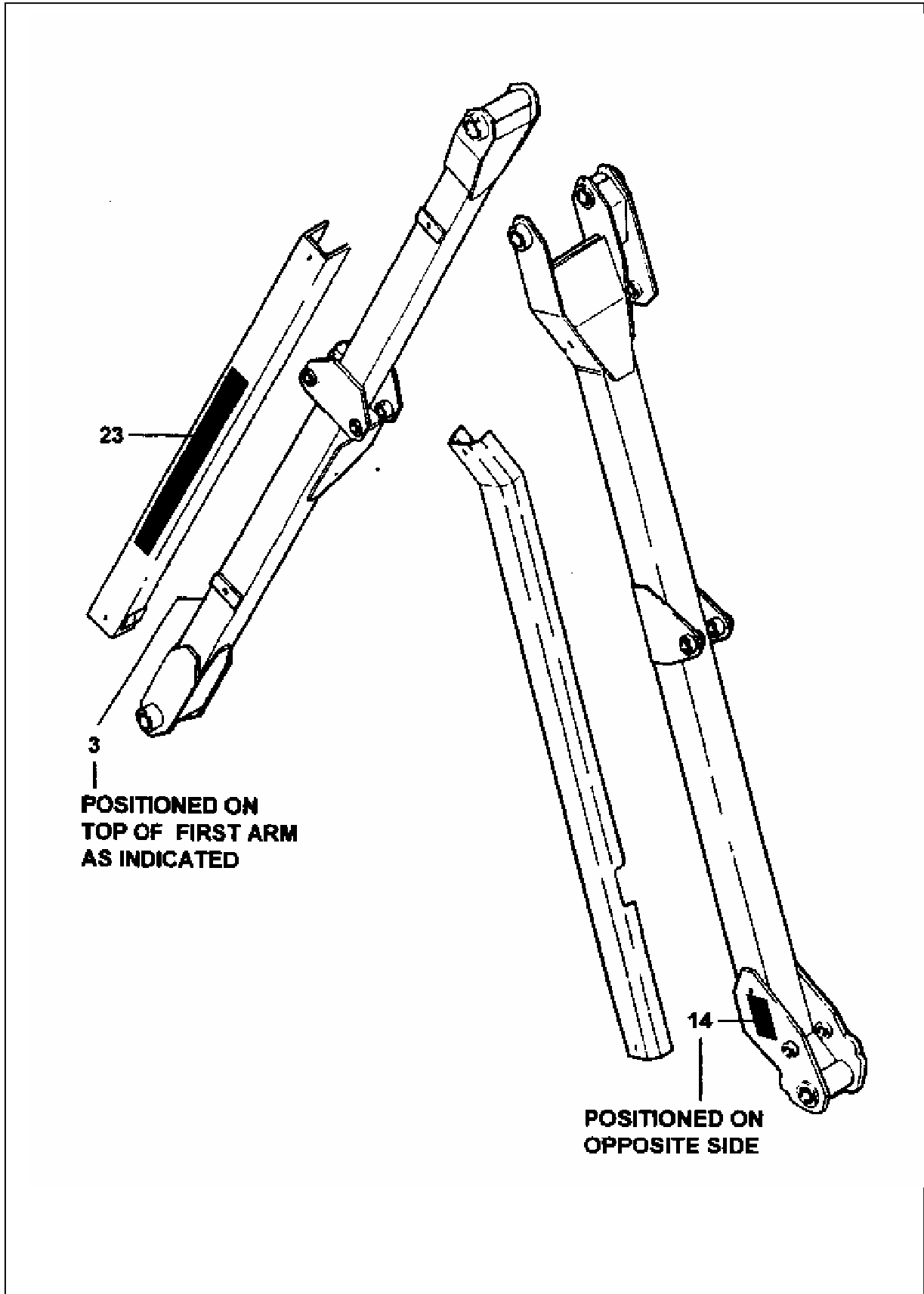


REF	PART NO	DESCRIPTION	QTY
74.727.01 ACCUMULATOR KIT B54/49			
*01	00.858.01	CLAMP - HYDRA-CUSHION	1
01	05.264.14	SETSCREW M10 X 35MM PLATED	4
01	05.287.02	SELF-LOCKING NUT M10 PLATED	2
03	41451.01	ACCUMULATOR 0.7 LTR (30 BAR)	1
04	05.290.05	BONDED SEAL 1/2"BSP	1
05	05.123.01	ADAPTOR 1/2" BSP X 3/8" BSP	1
06	05.290.04	BONDED SEAL 3/8"BSP	2
07	08.200.01	VALVE - ISOLATING 3/8" BSP	1
08	05.124.01	ADAPTOR 3/8" BSP X 3/8" BSP	1
09	10.004.09	HOSE 3/8"BSP STX90 S.SEAL 450	1
10	11.068.69	ADAPTOR-TEE 3/8F-3/8M+3/8M	1
*11	09.930.01	BRACKET ACCUMULATOR	1
11	05.282.02	SPRING WASHER 10MM PLATED	2
11	05.286.02	NUT M10 PLATED	2
12	09.852.01	DECAL - ARM FLOAT	1

***MAIN PART IN GROUP, RELATED PARTS HAVE SAME REFERENCE NUMBER**



REF	PART NO	DESCRIPTION	QTY
76.452.17 DECALS			
01	09.811.04	DECAL - MAX PTO SPEED 540 ACW	1
02	09.821.01	DECAL - READ INSTRUCTION BOOK	1
03	09.821.02	DECAL - STAY CLEAR O'HD CABLES	1
04	09.821.03	DECAL - DON'T STAND UNDER ARMS	1
05	08.632.01	DECAL - TRANSPORT	1
06	09.821.16	DECAL - KEEP OUT ZONE	1
07	09.821.06	DECAL - SLEW DANGER	1
08	09.821.07	DECAL - RESIDUAL PRESSURE	1
09	09.821.20	DECAL - SHAFT ENTANGLEMENT	1
10	09.821.09	DECAL - HOT SURFACE	1
11	09.821.12	DECAL - ARMS HIT CAB (REAR)	1
12	09.030.01	DECAL - OIL FILTER	1
13	09.810.01	DECAL-GREASE (8 HOURS)	14
14	09.821.23	DECAL - PINCH POINT	1
15	09.844.01	DECAL - OIL LEVEL	1
16	09.845.01	DECAL - APPROVED OILS	1
17	09.846.01	DECAL - OIL FILTER CHANGE	1
18	09.821.10	DECAL - KEEP NUTS TIGHT	1
19	09.843.06	DECAL - LIFT POINT 1500 KG	1
20	09.980.10	DECAL - B49	1
21	42218.01	DECAL - BOMFORD LH	1
22	09.980.28	DECAL - FM	1
23	41582.01	DECAL - POWER PLUS	1



REF	PART NO	DESCRIPTION	QTY
76.452.17 DECALS			
01	09.811.04	DECAL - MAX PTO SPEED 540 ACW	1
02	09.821.01	DECAL - READ INSTRUCTION BOOK	1
03	09.821.02	DECAL - STAY CLEAR O'HD CABLES	1
04	09.821.03	DECAL - DON'T STAND UNDER ARMS	1
05	08.632.01	DECAL - TRANSPORT	1
06	09.821.16	DECAL - KEEP OUT ZONE	1
07	09.821.06	DECAL - SLEW DANGER	1
08	09.821.07	DECAL - RESIDUAL PRESSURE	1
09	09.821.20	DECAL - SHAFT ENTANGLEMENT	1
10	09.821.09	DECAL - HOT SURFACE	1
11	09.821.12	DECAL - ARMS HIT CAB (REAR)	1
12	09.030.01	DECAL - OIL FILTER	1
13	09.810.01	DECAL-GREASE (8 HOURS)	14
14	09.821.23	DECAL - PINCH POINT	1
15	09.844.01	DECAL - OIL LEVEL	1
16	09.845.01	DECAL - APPROVED OILS	1
17	09.846.01	DECAL - OIL FILTER CHANGE	1
18	09.821.10	DECAL - KEEP NUTS TIGHT	1
19	09.843.06	DECAL - LIFT POINT 1500 KG	1
20	09.980.10	DECAL - B49	1
21	42218.01	DECAL - BOMFORD LH	1
22	09.980.28	DECAL - FM	1
23	41582.01	DECAL - POWER PLUS	1