

PM975

**B48XLE, B48XL,**

**B48X**

**VERGE MOWER**

PARTS MANUAL

## IMPORTANT

NOTE HERE THE SERIAL NUMBER OF YOUR MACHINE AND ALWAYS QUOTE IT IN ANY COMMUNICATION WITH US OR YOUR DEALER. THIS IS PARTICULARLY IMPORTANT WHEN ORDERING SPARES. REMEMBER TO INCLUDE ALL NUMBERS AND LETTERS.

MACHINE SERIAL NUMBERS \_\_\_\_\_

THE INFORMATION GIVEN THROUGHOUT THIS MANUAL IS CORRECT AT THE TIME OF PUBLICATION. HOWEVER, IN THE COURSE OF CONSTANT DEVELOPMENT OF BOMFORD TURNER MACHINES, CHANGES IN SPECIFICATION ARE INEVITABLE. SHOULD YOU FIND THE INFORMATION GIVEN IN THIS BOOK TO BE AT VARIANCE WITH THE MACHINE IN YOUR POSSESSION, YOU ARE ADVISED TO CONTACT THE BOMFORD TURNER SERVICE DEPARTMENT WHERE UP-TO-DATE INFORMATION WILL BE PROVIDED.

THE MANUAL CAN CONTAIN STANDARD AND OPTIONAL FEATURES AND IS NOT TO BE USED AS A MACHINE SPECIFICATION.

THE MACHINE HAS BEEN TESTED AND IS CONSIDERED SAFE IF CAREFULLY USED. ENSURE YOUR OPERATOR IS PROPERLY TRAINED IN ITS USE AND MAINTENANCE.

---

## IMPORTANT

NOTEZ ICI LES NUMEROS DE SERIE DE VOTRE MACHINE ET MENTIONNEZ LES DANS TOUTE COMMUNICATION AVEC NOS SERVICES OU VOTRE REVENDEUR. CECI EST IMPORTANT POUR LA COMMANDE DE PIECES DETACHEES. PENSEZ A NOTER TOUS LES NUMEROS ET TOUTES LES LETTERS.

NUMEROS DE SERIE DE LA MACHINE \_\_\_\_\_

LES INFORMATIONS DONNEES DANS CE MANUEL SONT CORRECTES CEPENDANT, DU FAIT DE DEVELOPPEMENT CONSTANT DES MACHINES BOMFORD TURNER.

CHANGEMENTS DANS LES CARACTERISTIQUES SONT INEVITABLES.

SI VOUS TROUVEZ QUE LES INFORMATIONS DONNEES NE CORRESPONDENT PAS A VOTRE MACHINE VEUILLEZ CONTACTER LE SERVICE DES REPARATIONS OU DES INFORMATIONS PLUS RECENTES VOUS SERONT DONNEES. CE MANUEL PEUT MONTRER DES CARACTERISTIQUES OPTIONNELLES ET NE PEUT PAS ETRE CONSIDERE COMME SPECIFICATION DE LA MACHINE.

CETTE MACHINE A ETE TESTEE, ET ELLE EST CONSIDEREE COMME FIABLE A CONDITION D'UNE BONNE UTILISATION. ASSUREZ-VOUS QUE VOTRE OPERATEUR EST QUALIFIE EN CE QUI CONCERNE L'UTILISATION DE LA MACHINE AINSI QUE SON ENTRETIEN.

---

## WICHTIG

TRAGEN SIE HIER DIE SERIENNUMMERN IHRER MASCHINE EIN UND GEBEN SIE DIESE IMMER AN, WENN SIE SICH AN UNS ODER IHREN HÄNDLER WENDEN. DAS IST BESONDERS BEI ERSATZTEILBESTELLUNGEN WICHTIG. VERGESSEN SIE NICHT, ALLE ZAHLEN UND BUCHSTABEN ZU NOTIEREN.

SERIENNUMMERN DER MASCHINE \_\_\_\_\_

DIE ANGABEN IN DIESEM HANDBUCH SIND BEI VERÖFFENTLICHUNG KORREKT. AUFGRUND DER KONSTANTEN WEITERENTWICKLUNG VON BOMFORD TURNER MASCHINEN SIND JEDOCHÄNDERUGDEN IN DER SPEZIFIKATION UNVERMEIDLICH. WENN DIE INFORMATION IN DIESEM HANDBUCH NICHT MIT IHRER MASCHINE ÜBEREINSTIMMEN, NEHMEN SIE BITTE KONTAKT MIT DER BOMFORD TURNER KUNDENDIENSTABTEILUNG AUF, DIE IHNEN GERNE DIE AKTUELLEN INFORMATION ZUKOMMEN LÄSST.

DAS HANDBUCH KANN SOWOHL BESCHREIBUNGEN FÜR DIE STANDARD AUSFÜHRUNG ALS AUCH FÜR ZUBEHÖR ENTHALTEN UND IST NICHT ALS MASCHINENSPEZIFIKATION ZU VERWENDET.

DIE MASCHINE IST GETESTET UND BEI SACHGEMÄSSEM BETRIEB ALS SICHER BEFUNDEN WORDEN. SORGEN SIE DAFÜR, DASS IHR BEDIENPERSONAL IN ANWENDUNG UND WARTUNG RICHTIG GESCHULT WIRD.

MODEL :- 48X, 48XL, 48XLE ARM MOWERS

**NOTE :-** PAGE AND ILLUSTRATION NUMBERS SHOWN ARE USED ONLY FOR REFERENCE PURPOSES AND SHOULD NOT BE USED FOR ORDERING SPARE PARTS. PLEASE ENSURE THE CORRECT PART NUMBER AND DESCRIPTION IS GIVEN WHEN ORDERING SPARE PARTS.

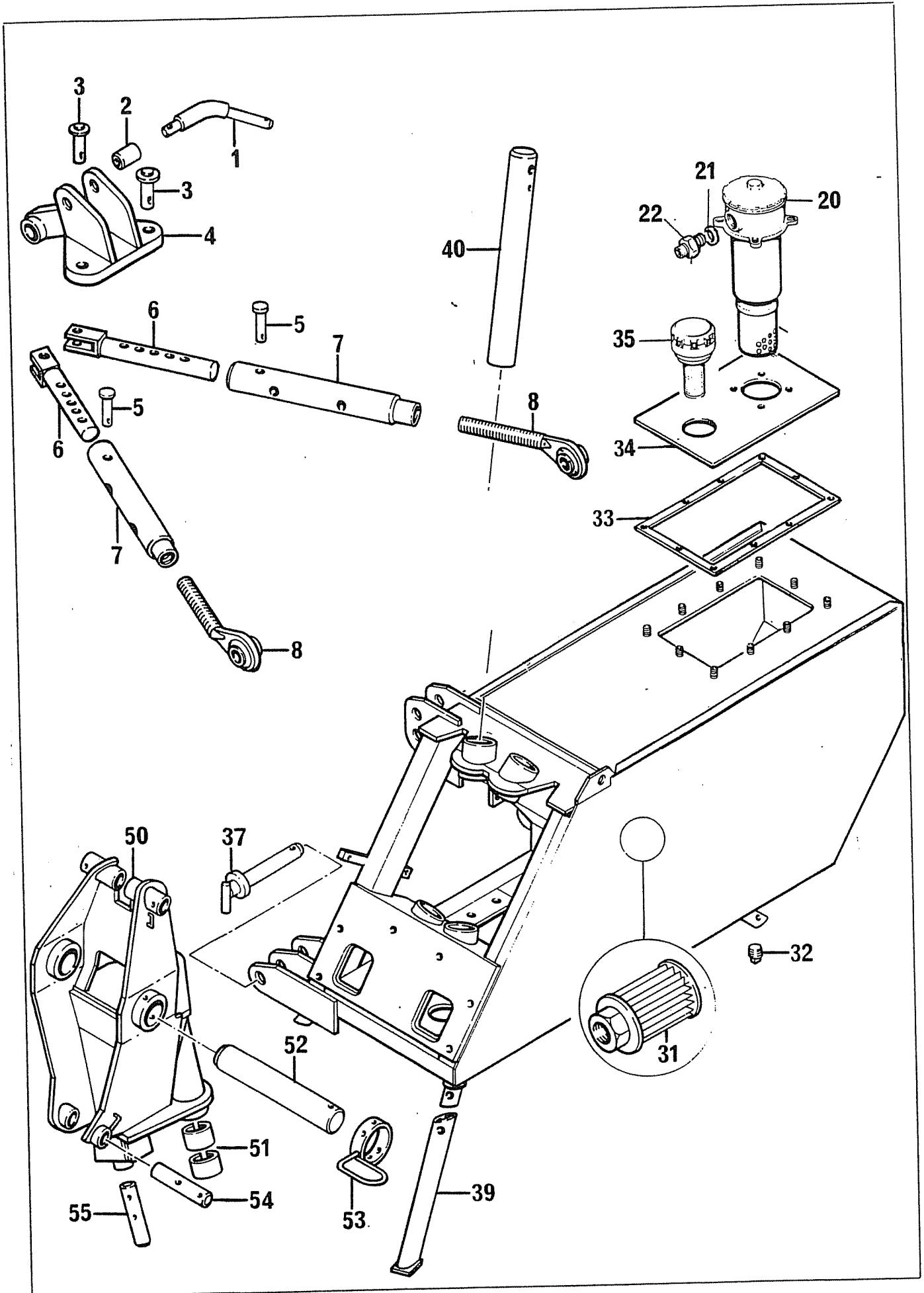
FOR MACHINES WITH SERIAL NUMBERS COMMENCING FROM : ...2629..C.....

PAGE NUMBER			TITLE
2 - 1	TO	2 - 3	TRACTOR MOUNTING AXLE MOUNTED FILTER ASSEMBLY MAINFRAME KINGPOST
3 - 1	TO	3 - 2	CONTROL VALVE ASSEMBLY (CABLE) CONTROL VALVE ASSEMBLY (FLOAT)
4 - 1	TO	4 - 2	REMOTE CONTROL ASSEMBLY (CABLE)
5 - 1	TO	5 - 2	REMOTE CONTROL ASSEMBLY D.S.R VALVE (CABLE)
6 - 1	TO	6 - 2	ELECTRIC CONTROL VALVE AND ACCUMULATOR
7 - 1	TO	7 - 2	REMOTE CONTROL - ELECTRIC
8 - 1	TO	8 - 3	P.T.O AND GEARBOX ASSEMBLY PUMPS PUMP CIRCUIT
9 - 1	TO	9 - 2	PUMP CIRCUIT D.S.R. VALVE
10 - 1	TO	10 - 3	FIRST ARM SECOND ARM COWL BRACKET
11 - 1	TO	11 - 2	BREAKOUT BRACKET (MECHCANICAL) BREAKOUT BRACKET (HYDRAULIC)
12 - 1	TO	12 - 3	HYDRAULIC RAM CIRCUIT - FIRST RAM HYDRAULIC RAM CIRCUIT - SECOND RAM HYDRAULIC RAM CIRCUIT - COWL RAM SEMI - PARALLEL CIRCUIT
13 - 1	TO	13 - 2	DECALS

## IMPORTANT

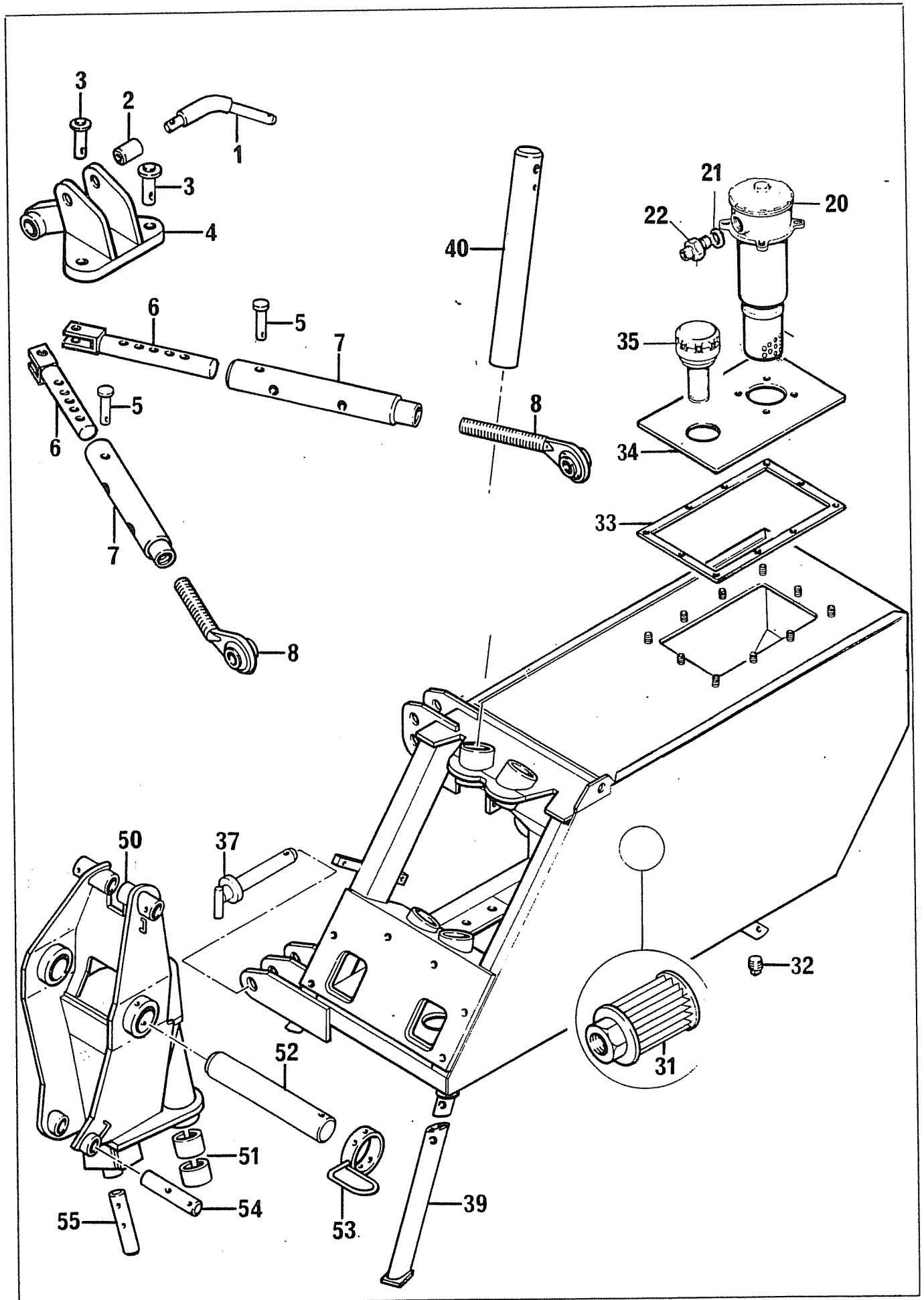
IT IS POTENTIALLY HAZARDOUS TO FIT OR USE ANY PARTS OTHER THAN  
**GENUINE BOMFORD/TURNER PARTS**  
THE COMPANY DISCLAIMS ALL LIABILITY FOR THE CONSEQUENCES OF  
SUCH USE, WHICH IN ADDITION VOIDS THE MACHINE WARRANTY.

THIS MACHINE IS FOR VEGETATION CONTROL AND MUST NOT  
BE USE FOR ANY OTHER PURPOSE.



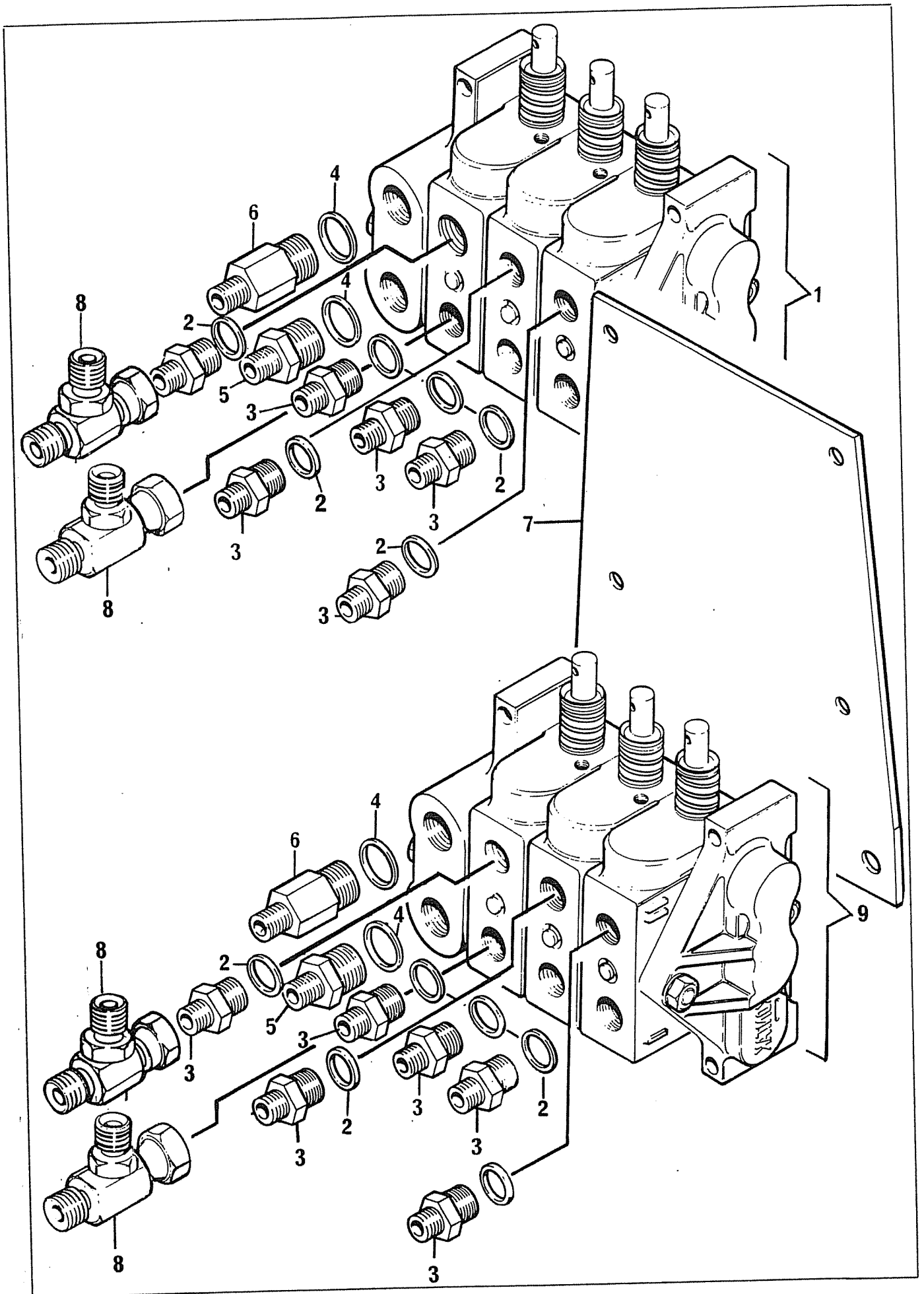
REF	PART NO.	DESCRIPTION	QTY	SERIAL NO. FROM - TO
72.090.01		FILTER ASSEMBLY		
20	05.282.07	SPRING WASHER 6MM PLATED	4	
20	05.625.09	SOCKET-CAPSCREW M6 X 25MM PLATED	4	
20	06.516.04	GASKET	-	
20	06.516.22	FILTER ELEMENT	-	
*20	06.516.24	FILTER ASSEMBLY	1	
*21	05.290.07	BONDED SEAL 1"BSP	1	
*22	05.434.01	ADAPTOR 1"BSP X 1"BSP	1	
72.085.01		TRACTOR MOUNTINGS		
01	00.372.01	LINCH PIN	1	
*01	02.068.01	PIN 3/4"DIA X 1" X 248MM PLATED	1	
*02	03.872.02	SPACER 250/D X 19.5 I/D X 50 PLATE	1	
*03	03.652.12	PIN DIA 20 X 65 LG	2	
03	05.201.11	TENSION PIN 5MM X 45MM PLATED	2	
03	05.281.05	FLAT WASHER 20MM PLATED	2	
*04	07.740.01	UPPER HITCH JOINT - A-FRAME	1	
05	05.964.01	SPRING COTTER 3.6MM DIA	2	
*05	07.737.01	PIN-'A' FRAME ADJUSTMENT	2	
*06	07.739.01	INNER ROD - 'A' FRAME	2	
*07	07.738.01	OUTER TUBE - 'A' FRAME	2	
*08	07.731.01	BALL END - 'A' FRAME	2	

\*MAIN PART IN GROUP, RELATED PARTS HAVE SAME REFERENCE NUMBER



REF	PART NO.	DESCRIPTION	QTY	SERIAL NO. FROM - TO
72.043.02, 72.044.02		MAINFRAME		
30	02.717.02	PLUG PLASTIC 50MM	1	
30	05.227.01	HAMMER DRIVE SCREW NO.6 X 3/8"	2	
30	05.264.32	SETSCREW M16 X 25MM PLATED	6	
30	05.281.01	FLAT WASHER 8MM PLATED	10	
30	05.281.04	FLAT WASHER 16MM PLATED	6	
30	05.282.03	SPRING WASHER 12MM PLATED	2	
30	05.282.04	SPRING WASHER 16MM PLATED	6	
30	05.286.01	NUT M8 PLATED	10	
30	05.286.03	NUT M12 PLATED	3	
30	05.292.23	BOLT M12 X 100MM PLATED	1	
30	05.292.25	BOLT M12 X 120MM PLATED	1	
30	05.774.05	SERIAL No.PLATE BOMFORD TURNER	1	
*30	07.948.03	MAINFRAME LH	1	
30	07.948.04	MAINFRAME RH	1	
*31	05.367.02	FILTER - SUCTION	1	
*32	05.495.01	PLUG 1/2"BSPT PLATED	1	
*33	08.605.01	GASKET	1	
*34	08.604.01	PLATE - TANK TOP	1	
*35	06.966.01	BREATHER CAP & STRAINER ASSY	1	
37	00.372.01	LINCH PIN	2	
*37	07.574.01	PIN - 1.1/8" X 172MM	2	
*39	07.921.01	STAND	4	
39	11.192.91	PIN - LOCKING 3/8" DIA	4	
*40	03.657.22	PIN - 50 DIA X 555	1	
40	05.282.03	SPRING WASHER 12MM PLATED	1	
40	05.286.03	NUT M12 PLATED	1	
40	05.292.22	BOLT M12 X 90MM PLATED	1	
72.083.01, 72.084.01		KINGPOST		
50	03.786.02	INSTRUCTION PLATE-GREASE M10	1	
50	05.953.04	GREASE NIPPLE M10 90 DEG	1	
*50	07.934.01	BRACKET - KINGPOST LH.	1	
50	07.934.02	BRACKET - KINGPOST RH.	1	
*51	02.771.02	TENSION BUSH 55 X 50 X 50	2	
*52	03.657.21	PIN 50 DIA X 340	1	
52	05.282.03	SPRING WASHER 12MM PLATED	1	
52	05.286.03	NUT M12 PLATED	1	
52	05.292.24	BOLT M12 X 110MM PLATED	1	
*53	07.943.01	BRACKET - HOSE GUIDE	1	
*54	03.654.44	PIN 30 DIA X 160	1	
54	03.786.01	INSTRUCTION PLATE-GREASE M6	1	
54	05.201.07	TENSION PIN 8MM X 45MM PLATED	1	
54	05.953.01	GREASE NIPPLE M6	1	
*55	03.653.41	PIN - 25 DIA X 154	1	
55	03.786.01	INSTRUCTION PLATE-GREASE M6	1	
55	05.201.07	TENSION PIN 8MM X 45MM PLATED	1	
55	05.953.01	GREASE NIPPLE M6	1	

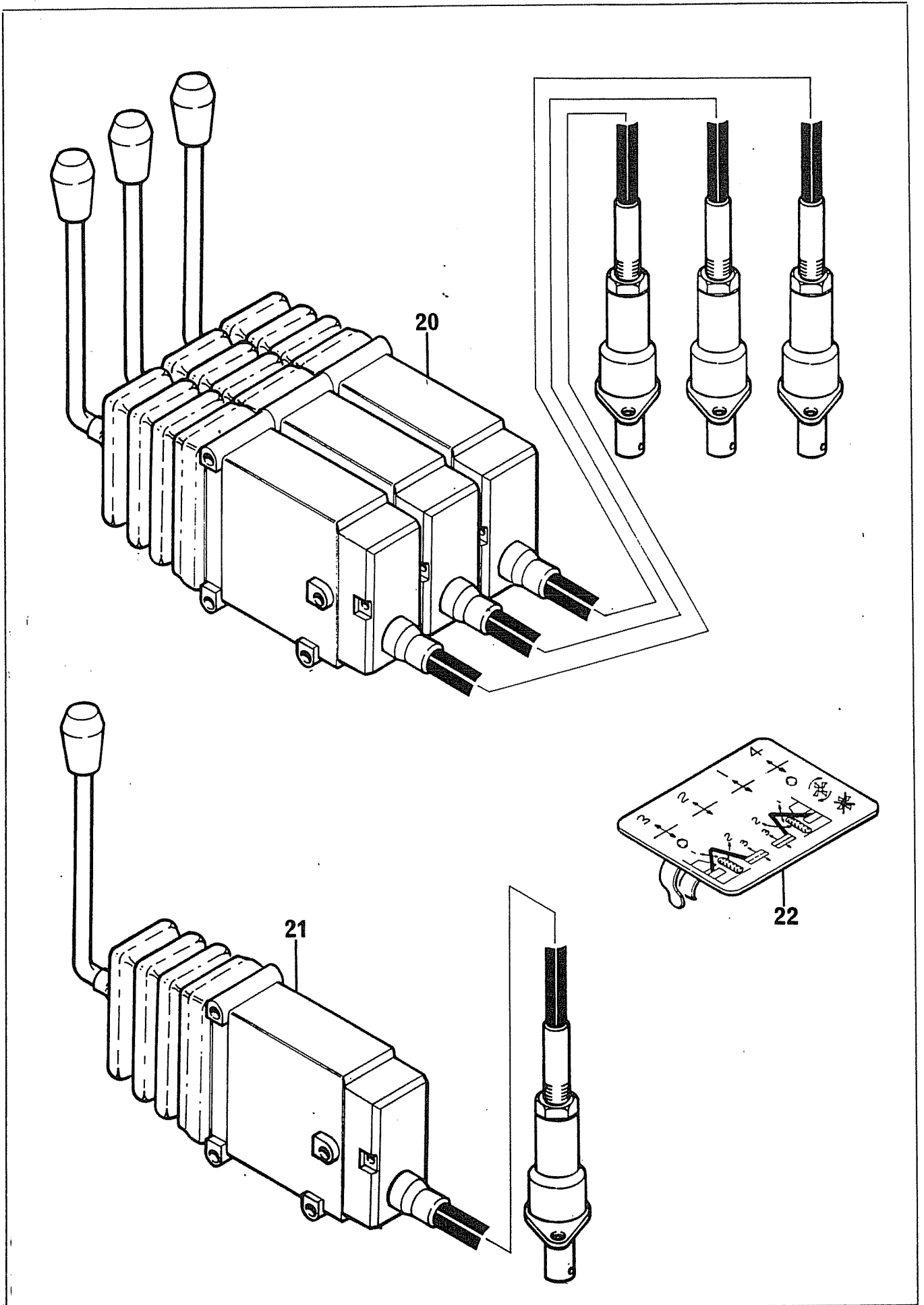
\*MAIN PART IN GROUP, RELATED PARTS HAVE SAME REFERENCE NUMBER





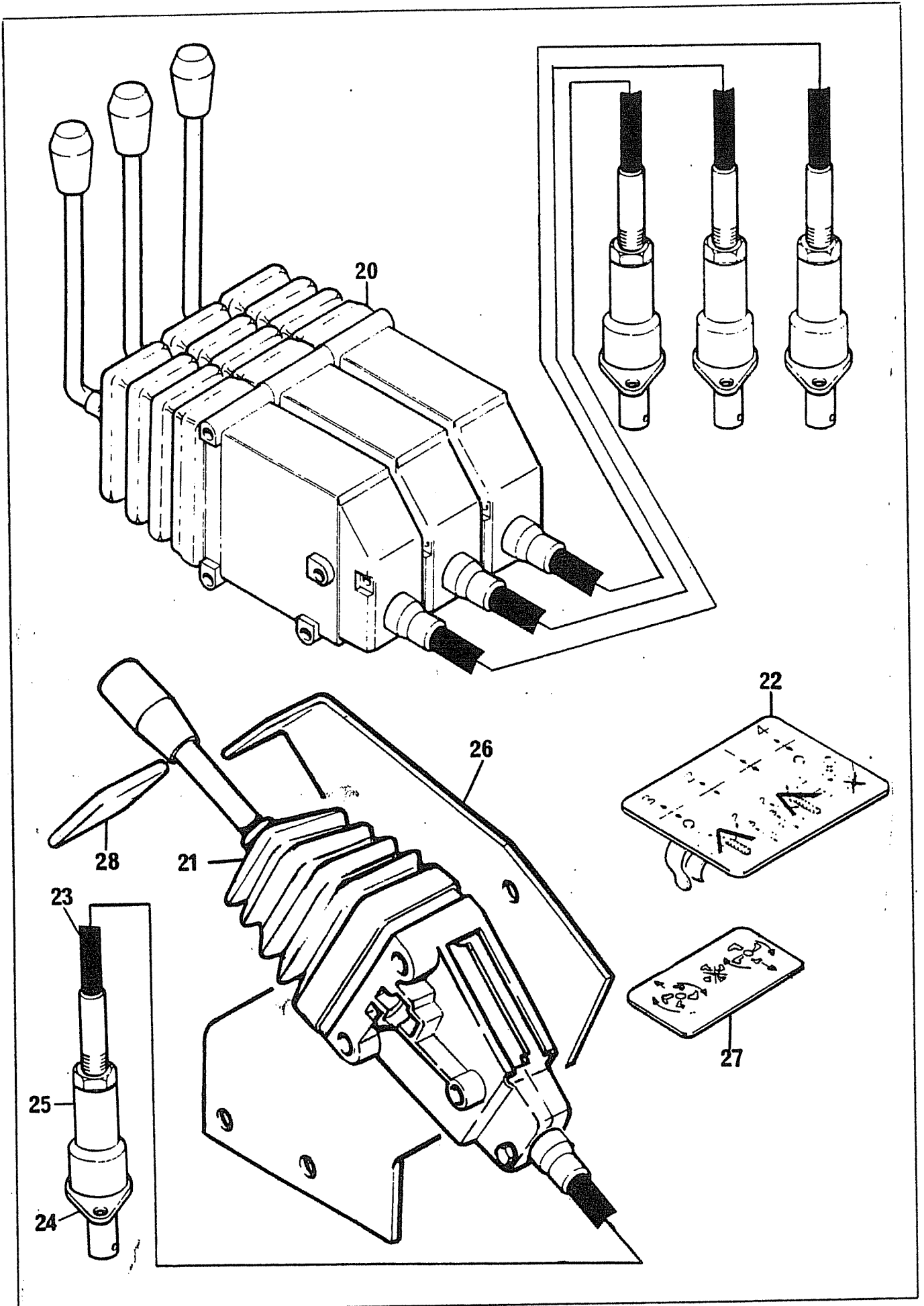
REF	PART NO.	DESCRIPTION	QTY	SERIAL NO. FROM - TO
<b>72.385.01</b>		<b>CONTROL VALVE</b>		
01	05.836.17	INLET COVER	-	
01	01.407.14	VALVE SLICE ASSY D/A	-	
01	01.407.15	END COVER C.C.	-	
01	01.407.20	END COVER O.C.	-	
01	01.407.60	RELIEF VALVE 207 BAR (3000PSI)	-	
01	03.542.01	SPECIAL ADAPTOR-CABLE	-	
01	05.449.01	SEAL KIT (01407 VALVES)	-	
01	05.625.11	SKT CAPSCREW 1/4 UNC X 5/8 PLATED	6	
*01	08.866.05	VALVE ASSEMBLY - 3 SPOOL	1	
*02	05.290.05	BONDED SEAL 1/2"BSP	6	
*03	01.099.03	ADAPTOR 1/2BSP X 1/4BSP	6	
*04	05.290.06	BONDED SEAL 3/4"BSP	2	
*05	05.128.01	ADAPTOR 3/4" BSP X 3/8" BSP	1	
*06	05.380.01	ADAPTOR 3/4"BSP X 3/8"BSP (EXTND)	1	
07	05.282.02	SPRING WASHER 10MM PLATED	3	
07	05.286.02	NUT M10 PLATED	3	
07	05.291.18	BOLT M10 X 65 PLATED	1	
07	05.292.11	BOLT M10 X 80MM PLATED	2	
*07	08.057.01	PLATE - CONTROL VALVE KONTAK	1	
*08	04.056.16	ADAPTOR - TEE 1/4"F X 3/8"M X 3/8"M	2	
<b>72.449.01</b>		<b>CONTROL VALVE</b>		
*02	05.290.05	BONDED SEAL 1/2"BSP	6	
*03	01.099.03	ADAPTOR 1/2BSP X 1/4BSP	6	
*04	05.290.06	BONDED SEAL 3/4"BSP	2	
*05	05.128.01	ADAPTOR 3/4" BSP X 3/8" BSP	1	
*06	05.380.01	ADAPTOR 3/4"BSP X 3/8"BSP (EXTND)	1	
07	05.282.02	SPRING WASHER 10MM PLATED	3	
07	05.286.02	NUT M10 PLATED	3	
07	05.291.18	BOLT M10 X 65 PLATED	1	
07	05.292.11	BOLT M10 X 80MM PLATED	2	
*07	08.057.01	PLATE - CONTROL VALVE KONTAK	1	
*08	04.056.16	ADAPTOR - TEE 1/4"F X 3/8"M X 3/8"M	2	
09	05.836.17	INLET COVER	-	
09	01.407.14	VALVE SLICE ASSY D/A	-	
09	01.407.15	END COVER C.C.	-	
09	01.407.20	END COVER O.C.	-	
09	01.407.60	RELIEF VALVE 207 BAR (3000 PSI)	-	
09	03.542.01	SPECIAL ADAPTOR-CABLE	-	
09	05.449.01	SEAL KIT (01407 VALVES)	-	
09	05.625.11	SKT CAPSCREW 1/4 UNC X 5/8 PLATED	6	
*09	08.866.06	VALVE ASSY - 3 SPOOL	1	
09	08.866.54	FLOAT SLICE - REVERSED	-	

\*MAIN PART IN GROUP, RELATED PARTS HAVE SAME REFERENCE NUMBER



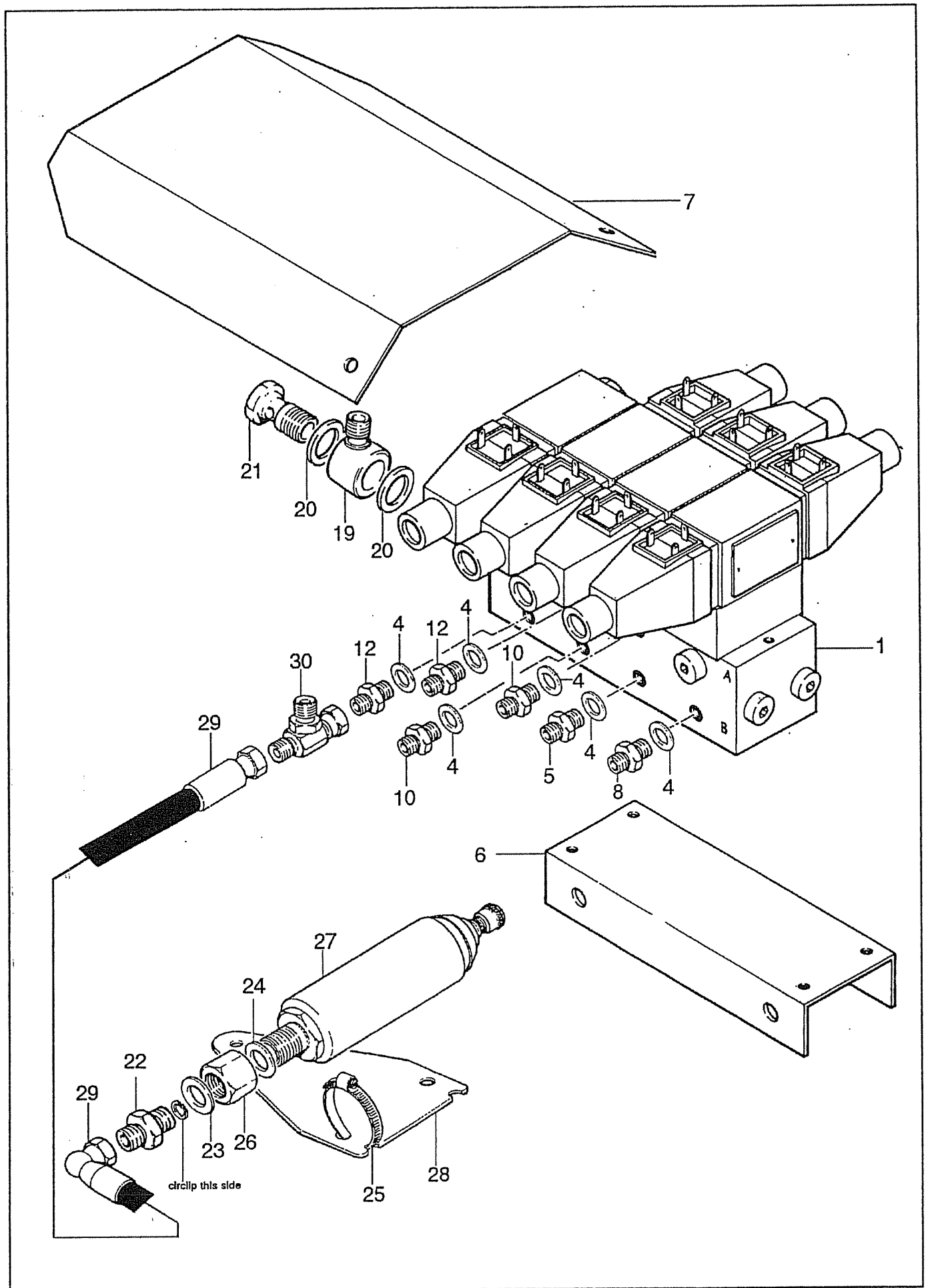
REF	PART NO.	DESCRIPTION	QTY	SERIAL NO. FROM - TO
71.005.03		REMOTE CONTROL ASSEMBLY		
*20	04.265.05	REMOTE CONTROL ASSY-1BANK 2.0M	3	
20	04.265.07	CABLE ASSY 2.0M	3	
20	04.265.08	LEVER ASSY	3	
20	04.265.11	BUSH	3	
20	04.265.19	SPRING COVER	3	
20	04.265.38	LEVER	3	
20	04.265.28	PIN	3	
20	05.281.01	FLAT WASHER 8MM PLATED	6	
20	05.948.07	WING NUT M8 - PLATED	2	
21	04.265.08	LEVER ASSY	1	
21	04.265.11	BUSH	1	
21	04.265.19	SPRING COVER	1	
21	04.265.28	PIN	1	
21	04.265.33	CABLE ASSY 2.5M	1	
*21	04.265.35	REMOTE CONTROL ASSY-1 BANK 2.5M	1	
21	04.265.53	LEVER - SHORT	1	
21	04.282.01	STUD M8 X 196MM PLATED	3	
21	05.286.01	NUT M8 PLATED	3	
*22	03.541.17	INSTRUCTION PLATE-RAM OPP.	1	

\*MAIN PART IN GROUP, RELATED PARTS HAVE SAME REFERENCE NUMBER



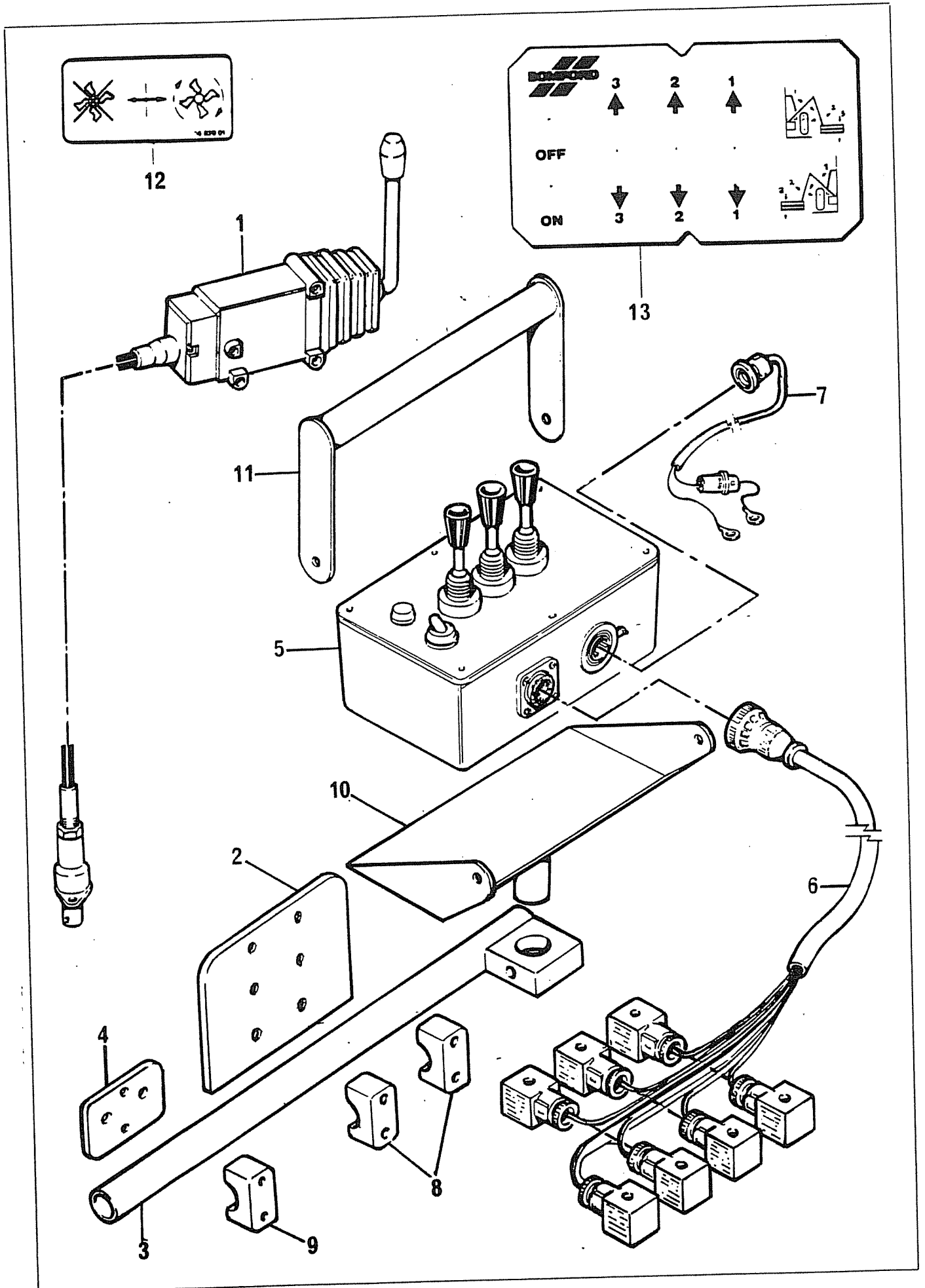
REF	PART NO.	DESCRIPTION	QTY	SERIAL NO. FROM - TO
72.292.01		REMOTE CONTROL DSR		
*20	04.265.05	REMOTE CONTROL ASSY-1BANK 2.0M	3	
20	04.265.07	CABLE ASSY 2.0M	-	
20	04.265.08	LEVER ASSY	-	
20	04.265.11	BUSH	-	
20	04.265.19	SPRING COVER	-	
20	04.265.28	PIN	-	
20	04.265.38	LEVER	-	
20	05.281.01	FLAT WASHER 8MM PLATED	6	
20	05.948.07	WING NUT M8 - PLATED	2	
21	04.265.25	BOLT M8 X 140 PLATED	3	
21	05.286.01	NUT M8 PLATED	1	
*21	30.211.02	CABLE CONTROL HEAD	1	
*22	03.541.06	INSTRUCTION PLATE-RAM OP.	1	
*23	30.221.39	CONTROL CABLE REF 210357/3	1	
23	05.625.11	SKT CAPSCREW 1/4 UNC X 5/8 PLATED	2	
*24	30.224.14	FLANGE	-	
*25	30.217.25	CABLE SLEEVE CASTING KONTAK 10	-	
26	05.291.06	BOLT M8 X 55MM PLATED	2	
26	05.948.07	WING NUT M8 - PLATED	2	
*26	08.872.01	BRACKET-LEVER MOUNTING	1	
*27	06.820.02	DECAL-ROTOR SHAFT CONTROL	1	
*28	30.210.59	SLEEVE PVC 22 X 3 X 20 YELLOW	1	

\*MAIN PART IN GROUP, RELATED PARTS HAVE SAME REFERENCE NUMBER



REF	PART NO.	DESCRIPTION	QTY	SERIAL NO. FROM - TO
72.034.03		CONTROL VALVE		
*01	08.852.02	CONTROL VALVE ELEC 3 SERVICE	1	
01	08.852.04	CETOP 3 INTERFACE SEAL - VITON	-	
*03	05.124.01	ADAPTOR 3/8" BSP X 3/8" BSP	1	
*04	05.290.04	BONDED SEAL 3/8"BSP	7	
*05	03.028.08	RESTRICTOR 3/8BSP X 1/4BSP	1	
06	05.282.09	SPRING WASHER 5MM PLATED	4	
*06	07.920.01	PLATE - CONTROL VALVE VICKERS	1	
06	30.073.93	SCREW M5 X 16MM 8.8 GRADE	4	
07	05.264.01	SETSCREW M8 X 20MM PLATED	2	
07	05.281.01	FLAT WASHER 8MM PLATED	2	
07	05.282.01	SPRING WASHER 8MM PLATED	2	
*07	07.922.01	COVER - VALVE	1	
*08	03.028.12	RESTRICTOR 3/8BSP X 1/4BSP	1	
*09	03.028.16	RESTRICTOR 3/8 X 1/4"BSP 1.00MM	1	
*10	03.028.16	RESTRICTOR 3/8 X 1/4"BSP 1.00MM	1	
*11	03.028.16	RESTRICTOR 3/8 X 1/4"BSP 1.00MM	1	
*12	05.124.01	ADAPTOR 3/8" BSP X 3/8" BSP	1	

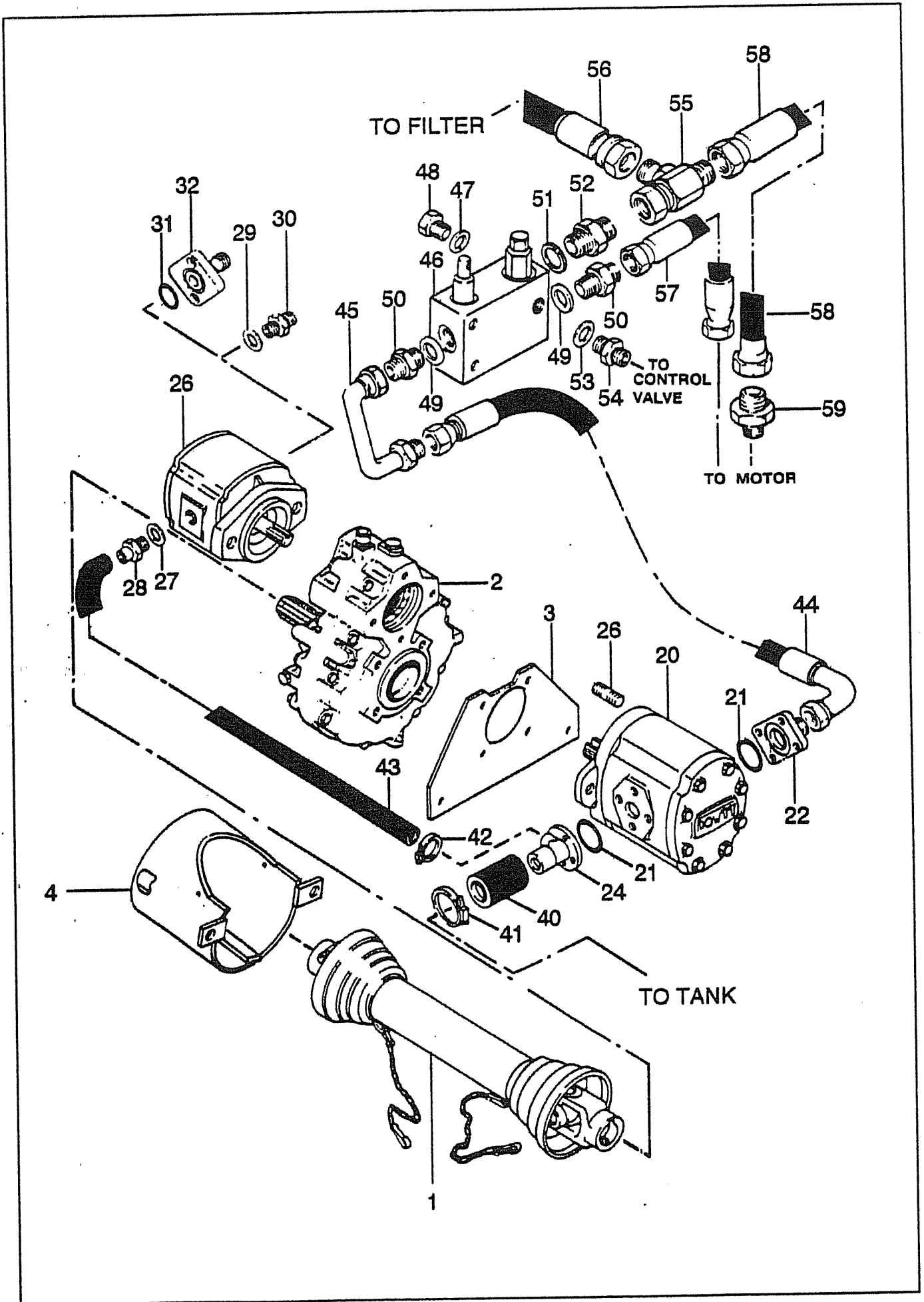
\*MAIN PART IN GROUP, RELATED PARTS HAVE SAME REFERENCE NUMBER





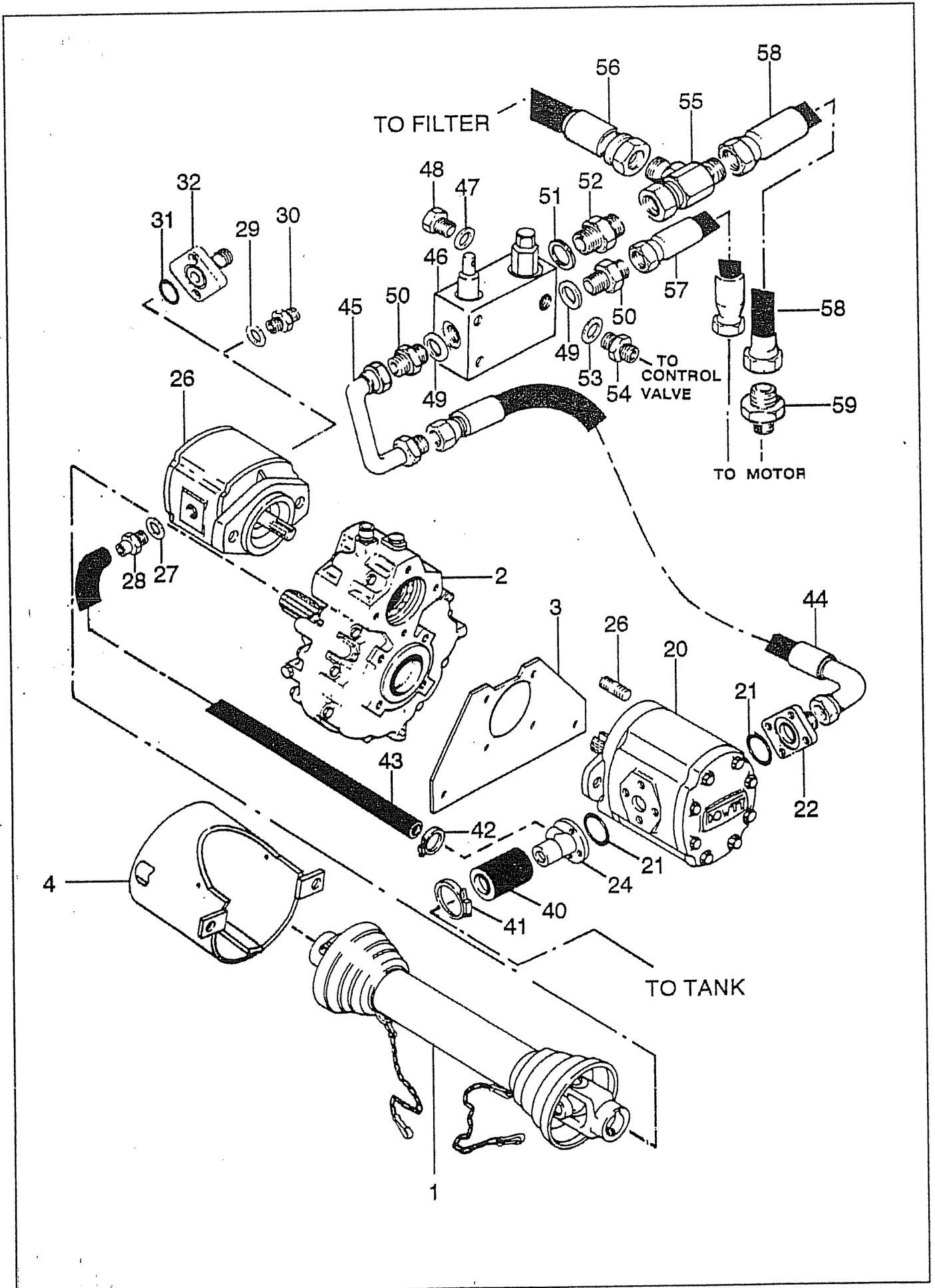
REF	PART NO.	DESCRIPTION	QTY	SERIAL NO. FROM - TO
72.026.02		ELECTRIC REMOTE CONTROL		
01	04.265.08	LEVER ASSY	-	
01	04.265.11	BUSH	-	
01	04.265.19	SPRING COVER	-	
01	04.265.24	USE 04.265.38 LEVER	-	
01	04.265.28	PIN	-	
01	04.265.33	CABLE ASSY 2.5M	-	
*01	04.265.35	REMOTE CONTROL ASSY-1BANK 2.5M	1	
02	05.264.02	SETSCREW M8 X 25MM PLATED	2	
02	05.281.01	FLAT WASHER 8MM PLATED	2	
02	05.282.01	SPRING WASHER 8MM PLATED	2	
02	05.948.07	WING NUT M8 - PLATED	2	
*02	08.317.01	PLATE - CONTROL BOX	1	
03	05.264.12	SETSCREW M10 X 25MM PLATED	1	
*03	08.318.01	TUBE - CONTROL BOX MOUNTING	1	
04	05.281.01	FLAT WASHER 8MM PLATED	2	
04	05.282.01	SPRING WASHER 8MM PLATED	2	
04	05.291.07	BOLT M8 X 60MM PLATED	2	
04	05.948.07	WING NUT M8 - PLATED	2	
*04	08.321.01	PLATE - LEVER MOUNTING	1	
05	05.282.09	SPRING WASHER 5MM PLATED	4	
05	05.286.09	NUT M5 PLATED	4	
*05	08.311.01	CONTROL BOX - 3 JOYSTICK	1	
*06	07.835.01	WIRING HARNESS	1	
06	07.835.02	GASKET FOR HIRSCHMAN CONNECTOR	-	
06	07.835.03	SCREW FOR HIRSCHMANN CONNECTOR	-	
*07	06.616.01	CABLE ASSY - 2 CORE X5.5M	1	
07	06.616.02	FUSE - 15A IN-LINE	-	
08	30.068.90	BOLT M6 X 55 MM 8.8 GRADE Z/P.	4	
08	30.070.64	NUT NYLOC M6.Z/P.	4	
*08	30.209.71	CLAMP SINGLE 1"	4	
08	30.209.73	COVER PLATE	2	
09	30.068.88	BOLT M6 X 45 MM 8.8 GRADE Z/P.	2	
09	30.209.71	CLAMP SINGLE 1"	2	
09	30.209.73	COVER PLATE	1	
*10	08.319.01	PLATE- CONTROL BOX MOUNTING	1	
11	05.839.05	SETSCREW M6 X 16MM PLATED	2	
*11	08.320.01	ARM REST	1	
11	30.070.64	NUT NYLOC M6.Z/P.	2	
*12	06.820.01	DECAL-ROT.SHAFT CONTROL LEVER	1	
*13	08.312.01	DECAL - 3 JOYSTICK	1	

\*MAIN PART IN GROUP, RELATED PARTS HAVE SAME REFERENCE NUMBER



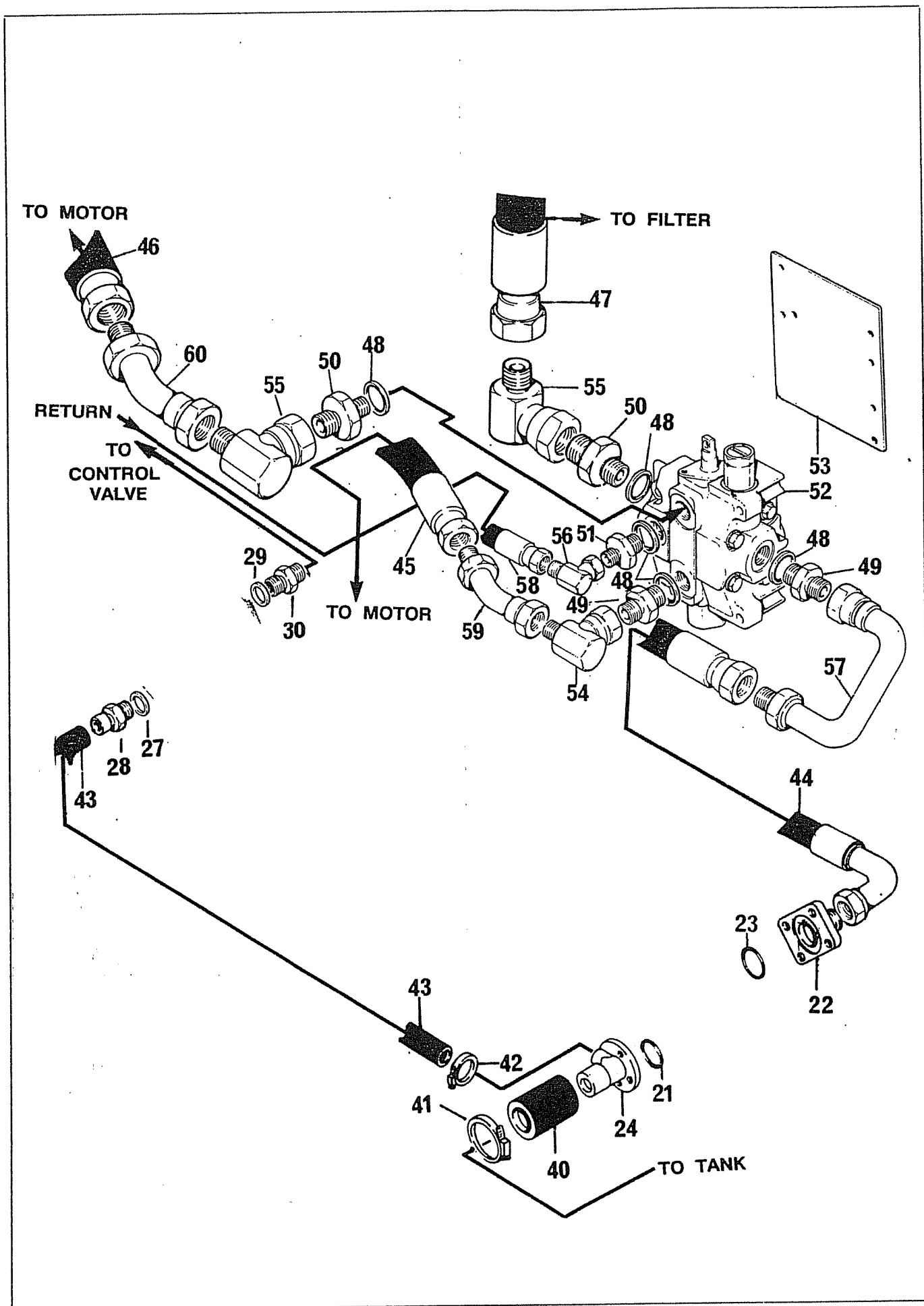
REF	PART NO.	DESCRIPTION	QTY	SERIAL NO. FROM - TO
72.027.02		PTO AND GEARBOX ASSEMBLY		
*01	04.402.01	PTO SHAFT ASSY 560MM C/C	1	
01	04.402.02	P.T.O GUARD ASSY 560MM C/C	1	
01	06.154.13	PTO JOURNAL BEARING KIT	1	
02	05.264.22	SETSCREW M12 X 25MM PLATED	4	
02	05.282.03	SPRING WASHER 12MM PLATED	4	
*02	07.727.01	GEARBOX ASSY - 100 LIT TWIN/P	1	-3531D
*02	07.727.03	GEARBOX ASSY - 100 LIT TWIN/P	1	-3532D
03	05.282.03	SPRING WASHER 12MM PLATED	2	
03	05.286.03	NUT M12 PLATED	2	
03	05.291.23	BOLT M12 X 40MM PLATED	2	
*03	07.930.01	PLATE - GEARBOX MOUNTING	1	
04	05.264.22	SETSCREW M12 X 25MM PLATED	2	
04	05.282.03	SPRING WASHER 12MM PLATED	2	
*04	07.729.01	GUARD - PTO	1	
71.101.03		PUMPS		
20	06.415.02	SEAL KIT (06415 PUMP)	-	
20	01.071.13	KEY-SEP 1/4"X1/4"X1"	-	
20	05.642.02	SEAL KIT (05 650 PUMPS)	-	
*20	05.650.02	PUMP ASSY (207 BAR)	1	-3531D
*20	09.537.01	PUMP ASSY (207 BAR)	1	-3532D
*21	05.656.01	"O"RING 28 I/D X 2.5	1	
*22	03.864.01	ADAPTOR-FLANGED 3/4"BSP PLATED	1	
22	05.657.01	SCKT CAPSCRW 5/16"UNC X 7/8" PLT	4	
*23	05.656.03	"O"RING 25 I/D X 3.53	1	
24	05.657.01	SCKT CAPSCRW 5/16"UNC X 7/8" PLT	4	
*24	06.251.01	ADAPTOR-INLET PLATED	1	
*25	03.100.01	STUD M10 X 34MM	4	
25	05.286.02	NUT M10 PLATED	4	
*26	06.415.01	PUMP-SPARE ALSO SUPPLY 0716701	1	-3531D
*26	05.650.03	PUMP-SPARE ALSO SUPPLY 0716701	1	-3532D
*27	05.290.05	BONDED SEAL 1/2"BSP	2	
*28	04.244.01	ADAPTOR 1/2"BSP X 3/4"O/D	1	
*29	05.290.05	BONDED SEAL 1/2"BSP	2	
*30	05.123.01	ADAPTOR 1/2" BSP X 3/8" BSP	1	
*31	09.745.01	ADAPTOR - FLANGE 3/8" BSP PLATED	1	
*32	30.210.92	'O' RING	1	

\*MAIN PART IN GROUP, RELATED PARTS HAVE SAME REFERENCE NUMBER



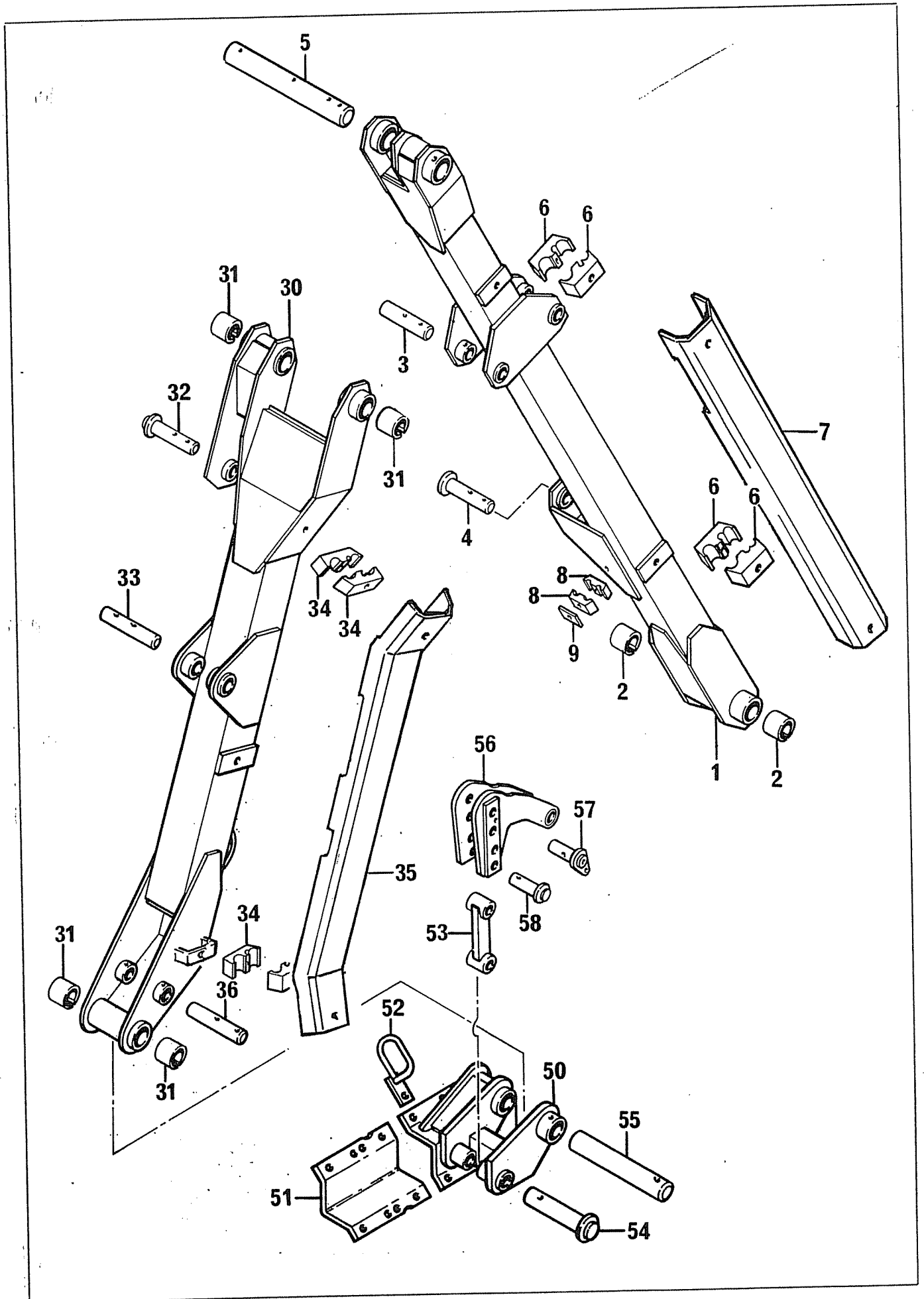
REF	PART NO.	DESCRIPTION	QTY	SERIAL NO. FROM - TO
72.513.01		PUMP CIRCUIT		
*40	06.288.01	HOSE 1.1/2" BORE X 120MM	1	
*41	05.863.02	JUBILEE CLIP 2"DIA	2	
*42	05.863.03	JUBILEE CLIP 20-32 DIA	2	
*43	05.983.09	HOSE 3/4" BORE X 650MM PLAIN	1	
*44	05.994.24	HOSE 3/4"BSP X 1200MM 90 X ST	1	
*45	06.459.03	PIPE RIGID 3/4"BSP M/F	1	
46	05.281.01	FLAT WASHER 8MM PLATED	2	
46	05.282.01	SPRING WASHER 8MM PLATED	2	
46	05.291.07	BOLT M8 X 60MM PLATED	2	
46	05.657.01	SCKT CAPSCRW 5/16"UNCX7/8" PLT	2	
*46	06.284.01	RELIEF VALVE/DIVERTER ASSY	1	
46	06.284.02	SEAL KIT FOR (06.284.01) VALVE	-	
46	06.299.03	RELIEF VALVE CARTRIDGE 207 BAR	-	
*47	05.117.01	COPPER WASHER 3/8" BSP	1	
*48	05.433.01	PLUG 3/8"BSP PLATED	1	
*49	05.290.06	BONDED SEAL 3/4"BSP	2	
*50	05.377.01	ADAPTOR 3/4"BSP X 3/4"BSP	2	
*51	05.290.07	BONDED SEAL 1"BSP	1	
*52	05.434.01	ADAPTOR 1"BSP X 1"BSP	1	
*53	05.290.04	BONDED SEAL 3/8"BSP	1	
*54	05.124.01	ADAPTOR 3/8" BSP X 3/8" BSP	1	
*55	04.056.02	ADAPTOR-SWIVEL TEE 1"BSP F/M/M	1	
*56	05.996.01	HOSE 1"BSP X 500MM 90XST	1	
*57	05.994.85	HOSE 3/4"BSP X 8200MM ST X ST	1	
*58	05.996.85	HOSE 1"BSP X 8200MM ST X ST	1	
*59	05.373.01	ADAPTOR 3/4"BSP X 1"BSP	1	

\*MAIN PART IN GROUP, RELATED PARTS HAVE SAME REFERENCE NUMBER



REF	PART NO.	DESCRIPTION	QTY	SERIAL NO. FROM - TO
72.503.01		PUMP CIRCUIT D.S.R.		
*40	06.288.01	HOSE 1.1/2" BORE X 120MM	1	
*41	05.863.02	JUBILEE CLIP 2"DIA	2	
*42	05.863.03	JUBILEE CLIP 25MM DIA	2	
*43	05.983.09	HOSE 3/4" BORE X 650MM PLAIN	1	
*44	05.994.24	HOSE 3/4"BSP X 1200MM 90 X ST	1	
*45	05.994.86	HOSE 3/4"BSP X 7700MM ST X ST	1	
*46	05.996.86	HOSE 1"BSP X 7700MM ST X ST	1	
*47	05.996.01	HOSE 1"BSP X 500MM 90 X ST	1	
*48	05.290.06	BONDED SEAL 3/4"BSP	5	
*49	05.377.01	ADAPTOR 3/4"BSP X 3/4"BSP	2	
*50	05.373.01	ADAPTOR 3/4"BSP X 1"BSP	2	
*51	05.128.01	ADAPTOR 3/4" BSP X 3/8" BSP	1	
52	05.282.02	SPRING WASHER 10MM PLATED	3	
52	05.292.12	BOLT M10 X 90 PLATED	3	
*52	09.857.01	CONTROL VALVE	1	
53	05.282.01	SPRING WASHER 8MM PLATED	2	
53	05.839.03	SETSCREW M8 X 16MM PLATED	2	
*53	08.864.01	PLATE-MOUNTING REV. VALVE	1	
*54	05.835.03	ADAPTOR-SWIVEL 90 3/4"BSP M/F	1	
*55	05.835.02	ADAPTOR-SWIVEL 90 1"BSP M/F	2	
*56	05.835.01	ADAPTOR-SWIVEL 90 3/8"BSP M/F	1	
*57	06.459.03	PIPE RIGID 3/4"BSP M/F	1	
57	08.886.01	DECAL - HEAD GUARDING	1	
*58	05.373.01	ADAPTOR 3/4"BSP X 1"BSP	1	
*59	08.940.01	ADAPTOR-135DEG 3/4"X3/4"BSP MF	1	
*60	08.940.02	ADAPTOR-135DEG 1"X1" BSP M/F	1	

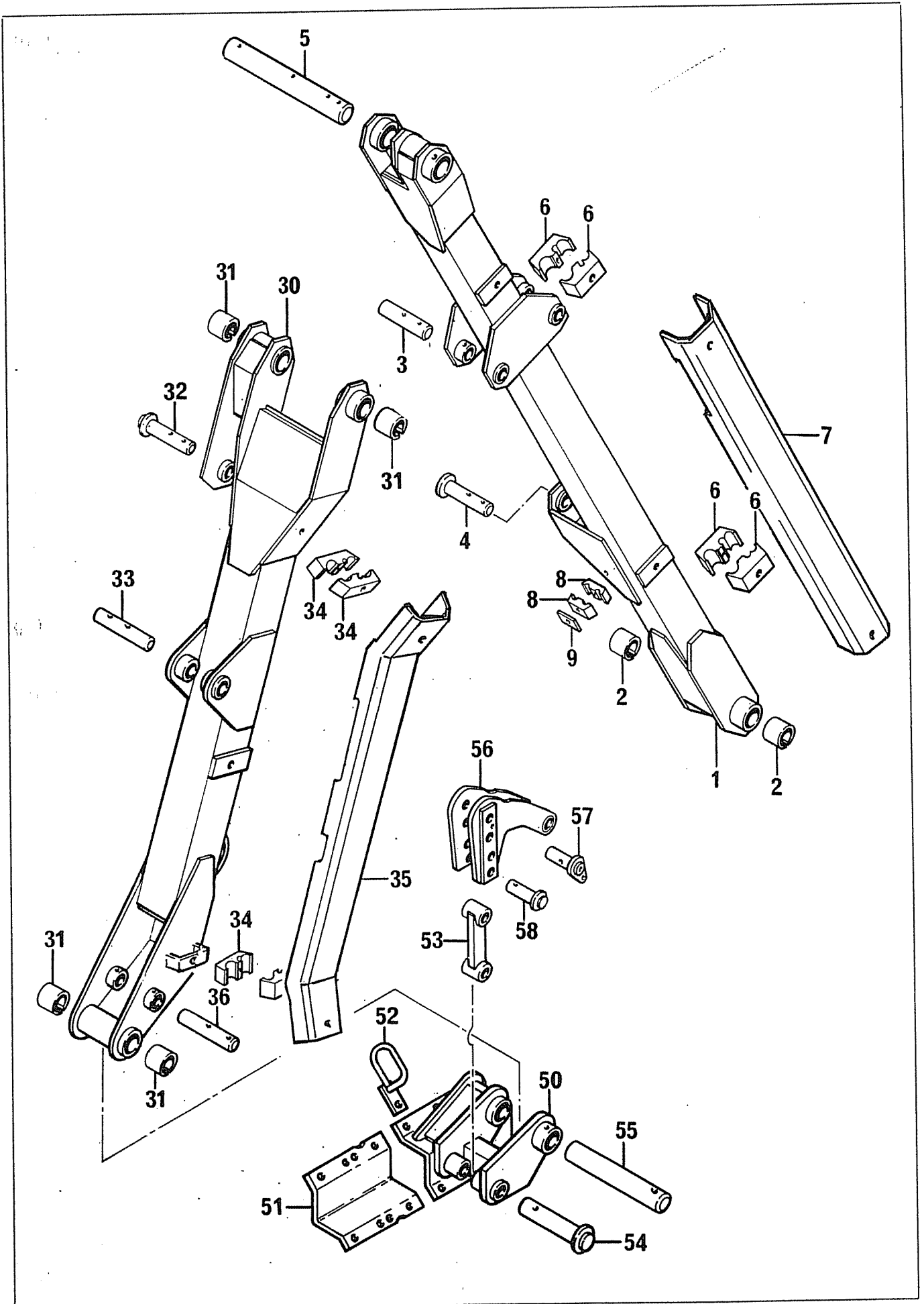
\*MAIN PART IN GROUP, RELATED PARTS HAVE SAME REFERENCE NUMBER





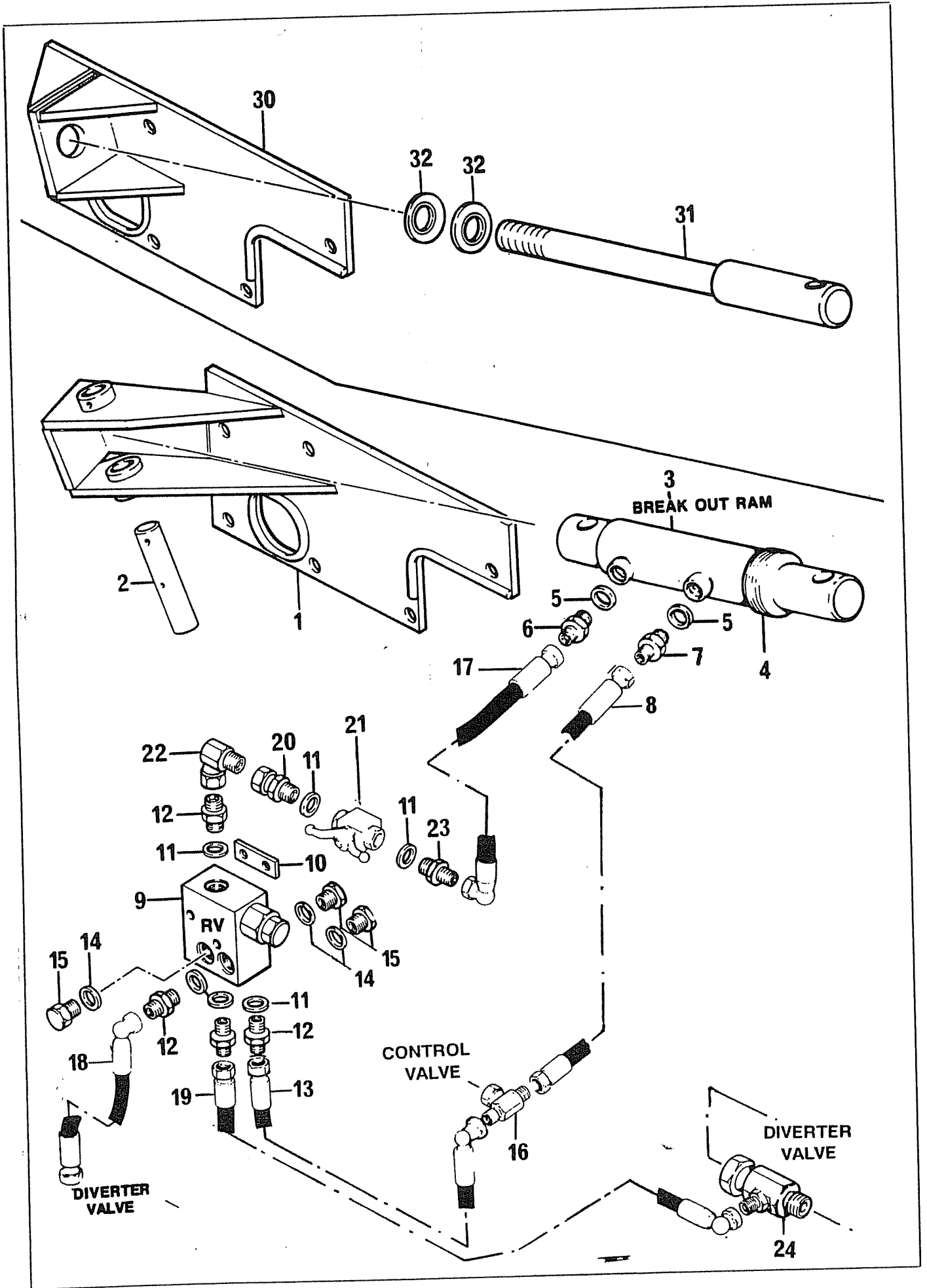
REF	PART NO.	DESCRIPTION	QTY	SERIAL NO. FROM - TO
72.030.02		FIRST ARM		
01	03.786.02	INSTRUCTION PLATE-GREASE M10	1	
01	05.953.04	GREASE NIPPLE M10 90 DEG	1	
*01	08.581.01	ARM - FIRST	1	
*02	08.297.01	BUSH - PLASTIC 60 X 50 X 50	2	
*03	03.654.43	PIN 30 DIA X 140	1	
03	03.786.01	INSTRUCTION PLATE-GREASE M6	1	
03	05.201.07	TENSION PIN 8MM X 45MM PLATED	1	
03	05.953.01	GREASE NIPPLE M6	1	
*04	03.653.31	PIN 25 DIA X 120	1	
04	03.786.01	INSTRUCTION PLATE-GREASE M6	1	
04	05.201.07	TENSION PIN 8MM X 45MM PLATED	1	
04	05.953.01	GREASE NIPPLE M6	1	
05	03.068.01	SPECIAL SETSCREW M12 X 25	2	
*05	03.656.39	PIN - 40 DIA X 374	1	
05	03.786.01	INSTRUCTION PLATE-GREASE M6	2	
05	05.282.02	SPRING WASHER 10MM PLATED	1	
05	05.282.03	SPRING WASHER 12MM PLATED	2	
05	05.286.02	NUT M10 PLATED	1	
05	05.292.11	BOLT M10 X 80MM PLATED	1	
05	05.953.01	GREASE NIPPLE M6	2	
05	07.942.01	WASHER - M12 SPECIAL	2	
06	04.282.30	STUD M8 X 85 PLATED	2	
06	05.281.01	FLAT WASHER 8MM PLATED	2	
06	05.282.01	SPRING WASHER 8MM PLATED	2	
06	05.286.01	NUT M8 PLATED	2	
*06	06.430.10	CLAMP HOSE	4	
*07	07.876.01	COVER - FIRST ARM - 4.7M	1	
08	04.282.32	STUD M8 X 52	1	
08	05.281.01	FLAT WASHER 8MM PLATED	1	
08	05.282.01	SPRING WASHER 8MM PLATED	1	
08	05.286.01	NUT M8 PLATED	1	
*08	06.430.02	CLAMP HOSE 14 X 14	2	
*09	06.418.02	CLAMP PLATE 30 X 6 PLATED	1	
72.495.01, 72.496.01		SECOND ARM		
30	03.786.02	INSTRUCTION PLATE-GREASE M10	1	
30	05.953.03	GREASE NIPPLE M10	1	
30	08.262.01	CDS 55 X 40.5 - 50	1	
*30	09.308.01	ARM-SECOND LH	1	
30	09.308.02	ARM-SECOND RH	1	
*31	08.297.02	BUSH - PLASTIC 47 X 40 X 40	4	
*32	03.653.39	PIN 25 DIA X 128	1	
32	03.786.01	INSTRUCTION PLATE-GREASE M6	1	
32	05.201.07	TENSION PIN 8MM X 45MM PLATED	1	
32	05.953.01	GREASE NIPPLE M6	1	
*33	03.653.51	PIN 25 DIA X 138	1	
33	03.786.01	INSTRUCTION PLATE-GREASE M6	1	
33	05.201.07	TENSION PIN 8MM X 45MM PLATED	1	
33	05.953.01	GREASE NIPPLE M6	1	

\*MAIN PART IN GROUP, RELATED PARTS HAVE SAME REFERENCE NUMBER



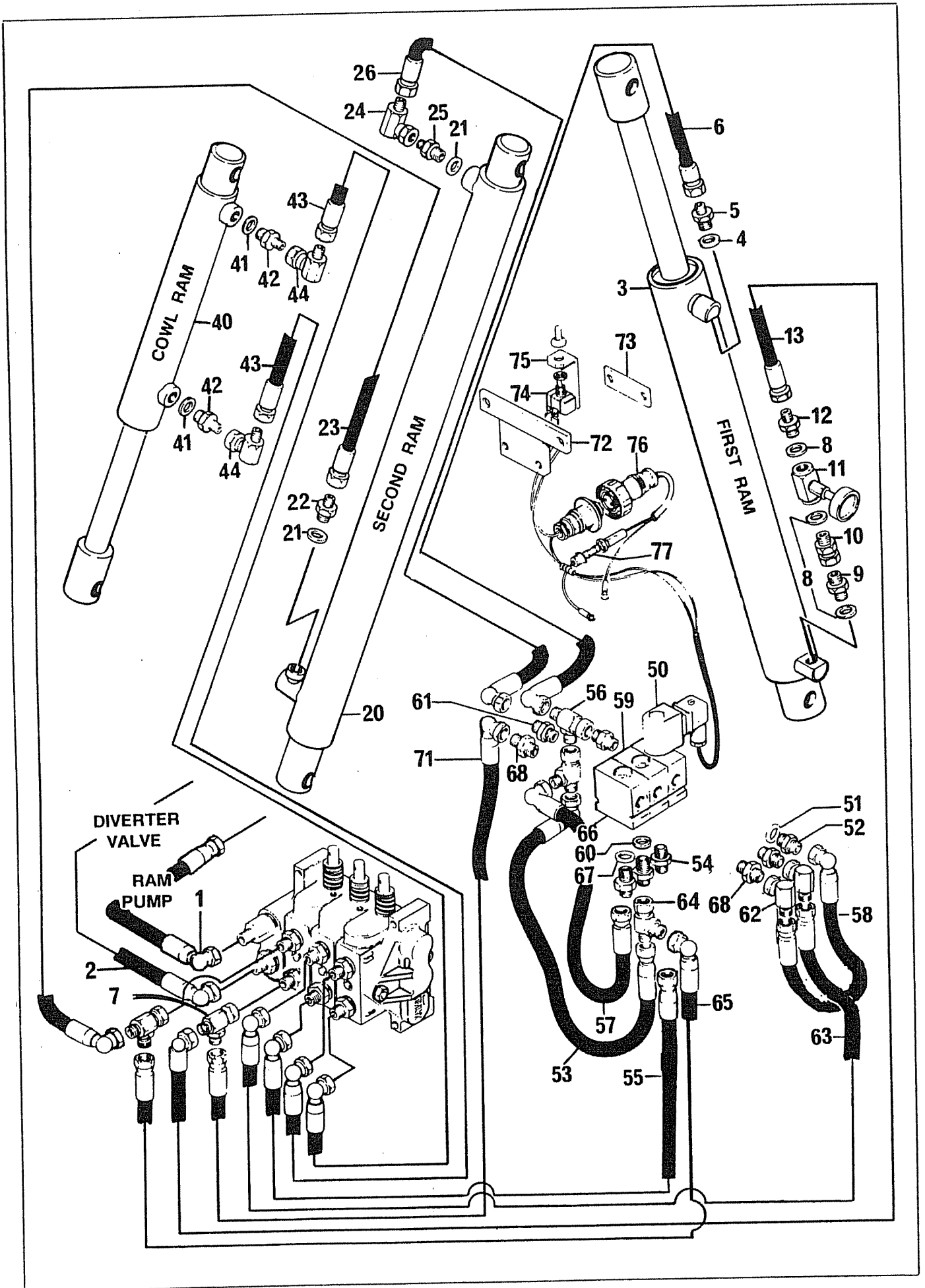
REF	PART NO.	DESCRIPTION	QTY	SERIAL NO. FROM - TO
34	04.282.30	STUD M8 X 85 PLATED	2	
34	05.281.01	FLAT WASHER 8MM PLATED	2	
34	05.282.01	SPRING WASHER 8MM PLATED	2	
34	05.286.01	NUT M8 PLATED	2	
*34	06.430.10	CLAMP HOSE	4	
35	09.309.01	COVER-SECOND ARM	1	
*36	03.653.50	PIN 25 DIA X 156	1	
36	03.786.01	INSTRUCTION PLATE-GREASE M6	1	
36	05.201.07	TENSION PIN 8MM X 45MM PLATED	1	
36	05.953.01	GREASE NIPPLE M6	1	
72.497.01, 72.498.01		COWL BRACKET		
*50	08.268.01	BRACKET - COWL LH	1	
50	08.268.02	BRACKET - COWL RH	1	
51	05.264.25	SETSCREW M12 X 40MM PLATED	6	
51	05.282.03	SPRING WASHER 12MM PLATED	6	
51	05.286.03	NUT M12 PLATED	6	
*51	07.947.01	CLAMP - COWL BRACKET	1	
53	03.786.01	INSTRUCTION PLATE-GREASE M6	2	
*53	03.846.01	LINK COWL	1	
53	05.953.01	GREASE NIPPLE M6	2	
*54	03.654.45	PIN 30 DIA X 172	1	
54	05.201.07	TENSION PIN 8MM X 45MM PLATED	1	
*55	03.656.41	PIN 40 DIA X 278	1	
55	05.282.02	SPRING WASHER 10MM PLATED	1	
55	05.286.02	NUT M10 PLATED	1	
55	05.292.11	BOLT M10 X 80MM PLATED	1	
*56	06.314.01	LINK-THIRD RAM	1	
*57	03.653.04	PIN 25 DIA X 83	1	
57	03.786.01	INSTRUCTION PLATE-GREASE M6	1	
57	04.175.01	STUD M10 X 29MM	1	
57	05.281.02	FLAT WASHER 10MM PLATED FORM C	1	
57	05.968.02	SELF LOCKING NUT M10 (FINE)	1	
58	00.372.01	LINCH PIN	1	
*58	03.653.03	PIN 25 DIA X 106	1	
59	05.282.01	SPRING WASHER 8MM PLATED	1	
59	05.282.02	SPRING WASHER 10MM PLATED	1	
59	05.286.01	NUT M8 PLATED	1	
59	05.286.02	NUT M10 PLATED	1	
59	05.292.13	BOLT M10 X 100MM PLATED	1	
*59	09.312.01	CLAMP-HOSE BRACKET LH	1	
*60	06.430.10	CLAMP HOSE	2	
*61	06.418.01	CLAMP PLATE 95 X 6	1	

\*MAIN PART IN GROUP, RELATED PARTS HAVE SAME REFERENCE NUMBER



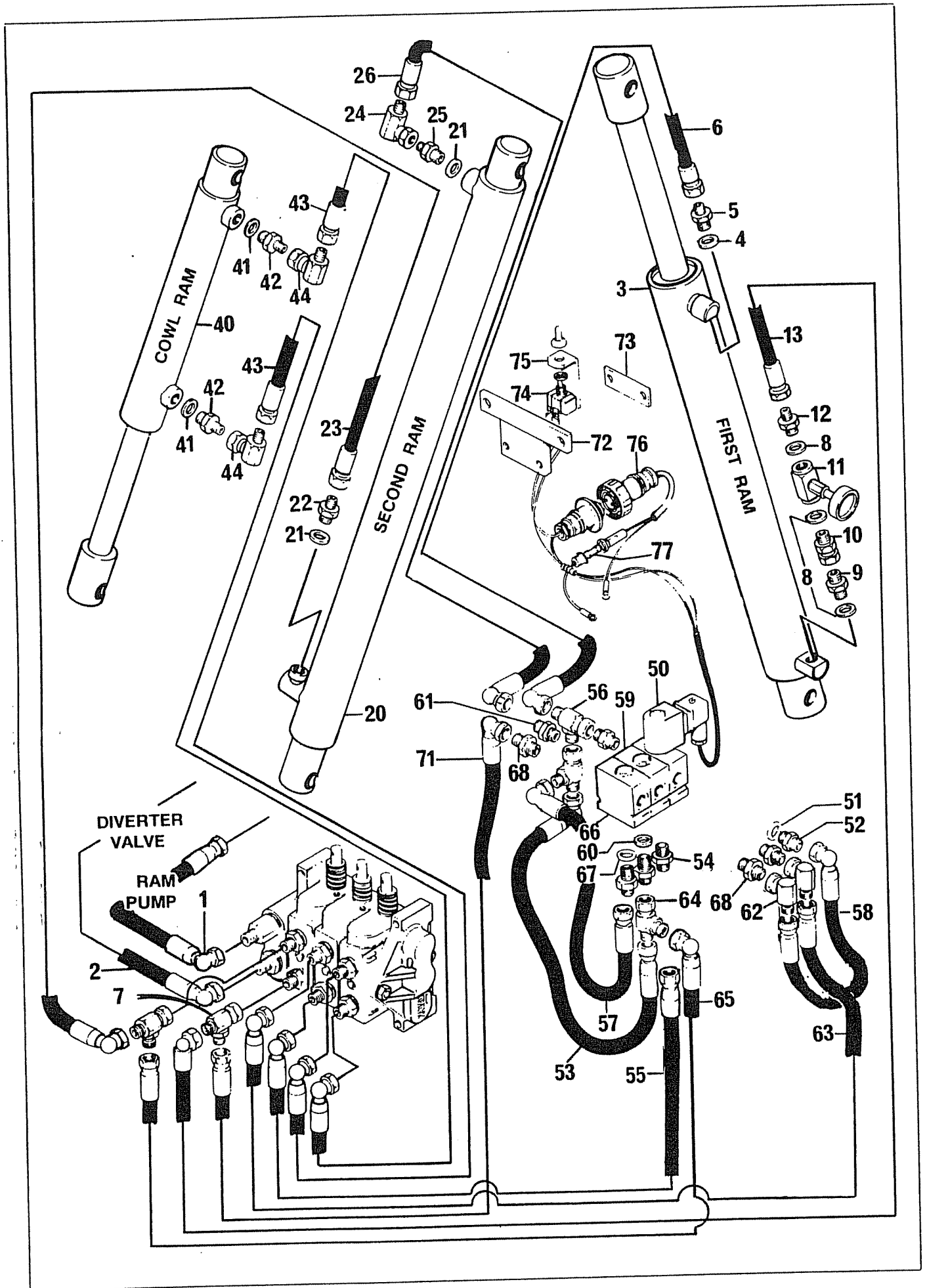
REF	PART NO.	DESCRIPTION	QTY	SERIAL NO. FROM - TO
72.098.01		BREAKOUT BRACKET - MECHANICAL		
*30	08.195.01	BRACKET-SPRING BREAKOUT LH	1	
30	08.195.02	BRACKET-SPRING BREAKOUT RH	1	
30	08.276.01	BREAKOUT-DISC SPRING ASSY INST	-	
*31	08.196.01	ROD - SPRING BREAKOUT	1	
31	05.287.07	SELF-LOCKING NUT M30	1	
31	05.281.18	FLAT WASHER 30MM - PLATED	1	
*32	30.214.47	DISC SPRING (60 X 30.5 X 3)	63	
72.373.01		BREAKOUT BRACKET - HYDRAULIC		
*01	07.944.01	BRACKET - BREAKOUT LH.	1	
01	07.944.02	BRACKET - BREAKOUT RH.	1	
*02	03.653.43	PIN 25DIA X 141	1	
02	03.786.01	INSTRUCTION PLATE-GREASE M6	1	
02	05.201.07	TENSION PIN 8MM X 45MM PLATED	1	
02	05.953.01	GREASE NIPPLE M6	1	
03	09.856.02	SEAL KIT (03842 D/A RAMS)	-	
*03	09.856.01	RAM ASSY. D/A 50 BORE X 70 STR	1	
*05	05.290.04	BONDED SEAL 3/8"BSP	2	
*06	03.028.14	RESTRICTOR 3/8" X 1/4" BSP	1	
*07	01.099.01	ADAPTOR 3/8BSP X 1/4BSP	1	
*08	05.990.27	HOSE 1/4"BSP X 1700MM 90 X ST	1	
09	06.277.02	SEAL KIT FOR (06.277.01) VALVE	-	
*09	06.277.11	RELIEF VALVE ASY (B'OUT) 210 BAR	1	
09	06.277.20	RELIEF VALVE CARTRIDGE 210 BAR	-	
10	05.282.02	SPRING WASHER 10MM PLATED	1	
10	05.286.02	NUT M10 PLATED	1	
10	05.291.17	BOLT M10 X 60MM PLATED	1	
*10	08.081.01	STRAP-RELIEF VALVE	1	
*11	05.290.04	BONDED SEAL 3/8"BSP	6	
*12	05.124.01	ADAPTOR 3/8" BSP X 3/8" BSP	3	
*13	05.911.24	HOSE 3/8" X 1400MM 90 X ST	1	
*14	05.117.01	COPPER WASHER 3/8" BSP	3	
*15	05.433.01	PLUG 3/8"BSP PLATED	3	
*16	04.056.16	ADAPTOR - TEE 1/4"F X 3/8"M X 3/8"M	1	
*17	05.990.29	HOSE 1/4"BSP X 1900MM 90 X ST	1	
*18	05.991.06	HOSE 3/8"BSP X 300MM 90 X ST	1	
*19	05.990.10	HOSE 1/4"BSP X 500MM 90 X ST	1	
*20	02.714.01	ADAPTOR-SWIVEL ST 3/8BSP M/F	1	
*21	08.200.01	VALVE - ISOLATING 3/8" BSP	1	
*22	05.835.01	ADAPTOR-SWIVEL 90 3/8"BSP M/F	1	
*23	01.099.01	ADAPTOR 3/8BSP X1/4BSP	1	
*24	04.056.19	TEE ADAPTOR-3/4 X 3/4 X 1/4 FMM	1	

\*MAIN PART IN GROUP, RELATED PARTS HAVE SAME REFERENCE NUMBER



REF	PART NO.	DESCRIPTION	QTY	SERIAL NO. FROM - TO
72.449.01		FIRST RAM		
*01	05.991.18	HOSE 3/8" BSP X 900MM 90 X ST	1	
*02	05.991.12	HOSE 3/8"BSP X 600MM 90 X ST	1	
*03	07.831.01	RAM ASSY. 70 BORE X 615 STROKE	1	
03	07.831.02	SEAL KIT (FOR 07.831.01)	-	
04	05.290.04	BONDED SEAL 3/8"BSP	1	
*05	01.099.01	ADAPTOR 3/8BSP X1/4BSP	1	
*06	05.990.37	HOSE 1/4"BSP X 2700MM 90 X ST	1	
*07	04.056.04	TEE ADAPTOR 3/8"X 1/4"X 3/8"	1	
*08	05.290.04	BONDED SEAL 3/8"BSP	3	
*09	03.028.15	RESTRICTOR 3/8 X 3/8BSP 1.7MM	1	
*10	02.714.01	ADAPTOR-SWIVEL ST 3/8BSP M/F	1	
*11	08.200.01	VALVE - ISOLATING 3/8" BSP	1	
*12	01.099.01	ADAPTOR 3/8 BSP X 1/4 BSP	1	
*13	05.990.35	HOSE 1/4"BSP X 2500MM 90 X ST	1	
72.500.01		SECOND RAM		
20	04.156.13	SEAL KIT (04156 D/A RAMS)	-	
*20	04.156.38	RAM ASSY-D/A 60MM BORE X 580MM	1	
*21	05.290.04	BONDED SEAL 3/8"BSP	2	
*22	01.099.01	ADAPTOR 3/8BSP X1/4BSP	1	
*23	05.990.45	HOSE 1/4"BSP X 3500MM 90 X ST	1	
*24	05.835.04	ADAPTOR - SWIVEL 90 1/4"BSP MF	1	
*25	03.028.12	RESTRICTOR 3/8BSP X 1/4BSP	1	
*26	05.990.39	HOSE 1/4"BSP X 2900MM 90 X ST	1	
72.501.01		THIRD RAM		
40	04.156.13	SEAL KIT (04156 D/A RAMS)	-	
*40	04.156.24	RAM ASSY-D/A 60MM BORE X 430MM	1	
*41	05.290.04	BONDED SEAL 3/8"BSP	2	
*42	03.028.08	RESTRICTOR 3/8BSP X 1/4BSP	2	
*43	05.990.65	HOSE 1/4"BSP X 5500MM 90 X ST	2	
*44	05.835.04	ADAPTOR - SWIVEL 90 1/4"BSP MF	1	

\*MAIN PART IN GROUP, RELATED PARTS HAVE SAME REFERENCE NUMBER





REF	PART NO.	DESCRIPTION	QTY	SERIAL NO. FROM - TO
72.195.01		SEMI-PARALLEL ASSEMBLY		
50	08.619.04	SEAL KIT-3 PORT MOD. VALVES (3)	-	
*50	08.619.06	MODULAR SOLENOID VALVE ASSY.	1	
*51	05.290.04	BONDED SEAL 3/8"BSP	3	
*52	01.099.01	ADAPTOR 3/8BSP X1/4BSP	2	
*53	05.990.08	HOSE 1/4"BSP X 400MM STR X 90	1	
*54	03.028.12	RESTRICTOR 3/8BSP X 1/4BSP	1	
*55	05.990.12	HOSE 1/4"BSP X 600MM 90 X ST	1	
*56	04.056.10	ADAPTOR - TEE 1/4"BSP F/M/M	2	
*57	05.990.06	HOSE 1/4" BSP X 300MM ST X 90	1	
*58	05.990.08	HOSE 1/4"BSP X 400MM STR X 90	1	
*59	08.619.05	MODULAR PO CHECK VALVE ASSY. (2)	1	
*60	05.290.04	BONDED SEAL 3/8"BSP	3	
*61	01.099.01	ADAPTOR 3/8BSP X1/4BSP	3	
*62	05.835.04	ADAPTOR - SWIVEL 90 1/4"BSP MF	1	
*63	05.990.12	HOSE 1/4"BSP X 600MM 90 X ST	1	
*64	04.056.10	ADAPTOR - TEE 1/4"BSP F/M/M	1	
*65	05.990.12	HOSE 1/4"BSP X 600MM 90 X ST	1	
*66	08.619.05	MODULAR PO CHECK VALVE ASSY. (1)	1	
*67	05.290.04	BONDED SEAL 3/8"BSP	3	
*68	01.099.01	ADAPTOR 3/8BSP X1/4BSP	3	
*69	05.835.04	ADAPTOR - SWIVEL 90 1/4"BSP MF	1	
*70	04.056.10	ADAPTOR - TEE 1/4"BSP F/M/M	1	
*71	05.990.12	HOSE 1/4"BSP X 600MM 90 X ST	1	
71	04.282.59	STUD M6 X 120	2	
71	05.282.07	SPRING WASHER 6MM PLATED	2	
71	05.286.10	NUT M6 PLATED	2	
*72	08.630.01	BRACKET - VALVE MOUNTING	1	
*73	08.629.01	PLATE - VALVE CLAMP	1	
74	07.835.02	GASKET FOR HIRSCHMAN CONNECTOR	1	
74	07.835.03	SCREW FOR HIRSCHMANN CONNECTOR	1	
*74	08.675.01	SWITCH AND CABLE ASSEMBLY	1	
*75	08.676.01	SWITCH BRACKET	1	
*76	06.616.01	CABLE ASSY - 2 CORE X5.5M	1	
*77	06.616.02	FUSE - 15A IN-LINE	-	

\*MAIN PART IN GROUP, RELATED PARTS HAVE SAME REFERENCE NUMBER

REF	PART NO.	DESCRIPTION	QTY	SERIAL NO. FROM - TO
01	07.767.05	DECAL - INST MANUAL LARGE (BT)	1	
02	09.030.01	DECAL - OIL FILTER	1	
03	08.043.20	DECAL - BOMFORD B48XLE RH	1	
04	02.737.06	DECAL SET - ENGLISH (SMALL)	1	
05	02.783.03	DECAL - APPROVED OILS	1	
06	06.007.04	DECAL - WEIGHT 750KG	1	
07	02.948.01	DECAL - LIFTING POINT INST	1	
08	02.950.01	DECAL - LIFTING POINT	2	
09	03.785.01	DECAL - GREASE	4	
10	09.093.01	DECAL - AUTO LEVELING	1	
11	07.767.05	DECAL - INST MANUAL LARGE (BT)	1	
12	08.043.19	DECAL - BOMFORD B48XLE LH	1	
13	08.043.08	DECAL - BOMFORD B48X RH	1	
14	05.349.01	DECAL - IMPORTANT (NUTS TIGHT)	1	
15	02.737.08	DECAL SET-FRENCH (SMALL)	1	
16	07.256.02	DECAL - GT (SMALL)	1	
17	08.886.01	DECAL - HEAD GUARDING	1	
18	09.229.01	DECAL - FRENCH CONFORMITY	1	