

PM1758

**B468**

**JIC  
ARM MOWER**

**PARTS MANUAL**

**ISSUE 3**

## IMPORTANT

NOTE HERE THE SERIAL NUMBER OF YOUR MACHINE AND ALWAYS QUOTE IT IN ANY COMMUNICATION WITH US OR YOUR DEALER. THIS IS PARTICULARLY IMPORTANT WHEN ORDERING SPARES. REMEMBER TO INCLUDE ALL NUMBERS AND LETTERS.

MACHINE SERIAL NUMBERS \_\_\_\_\_

THE INFORMATION GIVEN THROUGHOUT THIS MANUAL IS CORRECT AT THE TIME OF PUBLICATION. HOWEVER, IN THE COURSE OF CONSTANT DEVELOPMENT OF BOMFORD TURNER MACHINES, CHANGES IN SPECIFICATION ARE INEVITABLE. SHOULD YOU FIND THE INFORMATION GIVEN IN THIS BOOK TO BE AT VARIANCE WITH THE MACHINE IN YOUR POSSESSION, YOU ARE ADVISED TO CONTACT THE BOMFORD TURNER SERVICE DEPARTMENT WHERE UP-TO-DATE INFORMATION WILL BE PROVIDED.

THE MANUAL CAN CONTAIN STANDARD AND OPTIONAL FEATURES AND IS NOT TO BE USED AS A MACHINE SPECIFICATION.

THE MACHINE HAS BEEN TESTED AND IS CONSIDERED SAFE IF CAREFULLY USED. ENSURE YOUR OPERATOR IS PROPERLY TRAINED IN ITS USE AND MAINTENANCE.

---

## IMPORTANT

NOTEZ ICI LES NUMEROS DE SERIE DE VOTRE MACHINE ET MENTIONNEZ LES DANS TOUTE COMMUNICATION AVEC NOS SERVICES OU VOTRE REVENDEUR. CECI EST IMPORTANT POUR LA COMMANDE DE PIECES DETACHEES. PENSEZ A NOTER TOUS LES NUMEROS ET TOUTES LES LETTERS.

NUMEROS DE SERIE DE LA MACHINE \_\_\_\_\_

LES INFORMATIONS DONNEES DANS CE MANUEL SONT CORRECTES CEPENDANT, DU FAIT DE DEVELOPPEMENT CONSTANT DES MACHINES BOMFORD TURNER.

CHANGEMENTS DANS LES CARACTERISTIQUES SONT INEVITABLES.

SI VOUS TROUVEZ QUE LES INFORMATIONS DONNEES NE CORRESPONDENT PAS A VOTRE MACHINE VEUILLEZ CONTACTER LE SERVICE DES REPARATIONS OU DES INFORMATIONS PLUS RECENTES VOUS SERONT DONNEES. CE MANUEL PEUT MONTRER DES CARACTERISTIQUES OPTIONNELLES ET NE PEUT PAS ETRE CONSIDERE COMME SPECIFICATION DE LA MACHINE.

CETTE MACHINE A ETE TESTEE, ET ELLE EST CONSIDEREE COMME FIABLE A CONDITION D'UNE BONNE UTILISATION. ASSUREZ-VOUS QUE VOTRE OPERATEUR EST QUALIFIE EN CE QUI CONCERNE L'UTILISATION DE LA MACHINE AINSI QUE SON ENTRETIEN.

---

## WICHTIG

TRAGEN SIE HIER DIE SERIENNUMMERN IHRER MASCHINE EIN UND GEBEN SIE DIESE IMMER AN, WENN SIE SICH AN UNS ODER IHREN HÄNDLER WENDEN. DAS IST BESONDERS BEI ERSATZTEILBESTELLUNGEN WICHTIG. VERGESSEN SIE NICHT, ALLE ZAHLEN UND BUCHSTABEN ZU NOTIEREN.

SERIENNUMMERN DER MASCHINE \_\_\_\_\_

DIE ANGABEN IN DIESEM HANDBUCH SIND BEI VERÖFFENTLICHUNG KORREKT. AUFGRUND DER KONSTANTEN WEITERENTWICKLUNG VON BOMFORD TURNER MASCHINEN SIND JEDOCH ÄNDERUNGEN IN DER SPEZIFIKATION UNVERMEIDLICH. WENN DIE INFORMATION IN DIESEM HANDBUCH NICHT MIT IHRER MASCHINE ÜBEREINSTIMMT, NEHMEN SIE BITTE KONTAKT MIT DER BOMFORD TURNER KUNDENDIENSTABTEILUNG AUF, DIE IHNEN GERNE DIE AKTUELLEN INFORMATION ZUKOMMEN LÄSST.

DAS HANDBUCH KANN SOWOHL BESCHREIBUNGEN FÜR DIE STANDARD AUSFÜHRUNG ALS AUCH FÜR ZUBEHÖR ENTHALTEN UND IST NICHT ALS MASCHINENSPEZIFIKATION ZU VERWENDET.

DIE MASCHINE IST GETESTET UND BEI SACHGEMÄSSEM BETRIEB ALS SICHER BEFUNDEN WORDEN. SORGEN SIE DAFÜR, DASS IHR BEDIENPERSONAL IN ANWENDUNG UND WARTUNG RICHTIG GESCHULT WIRD.

**B468 JIC ARM MOWER**

*NOTE: PAGE AND ILLUSTRATION NUMBERS SHOWN ARE USED ONLY FOR REFERENCE PURPOSES AND SHOULD NOT BE USED FOR ORDERING SPARE PARTS.*

*PLEASE GIVE FULL PART NUMBER AND DESCRIPTION WHEN ORDERING SPARE PARTS.*

*FOR MACHINES WITH SERIAL NUMBERS COMMENCING FROM...2006G...*

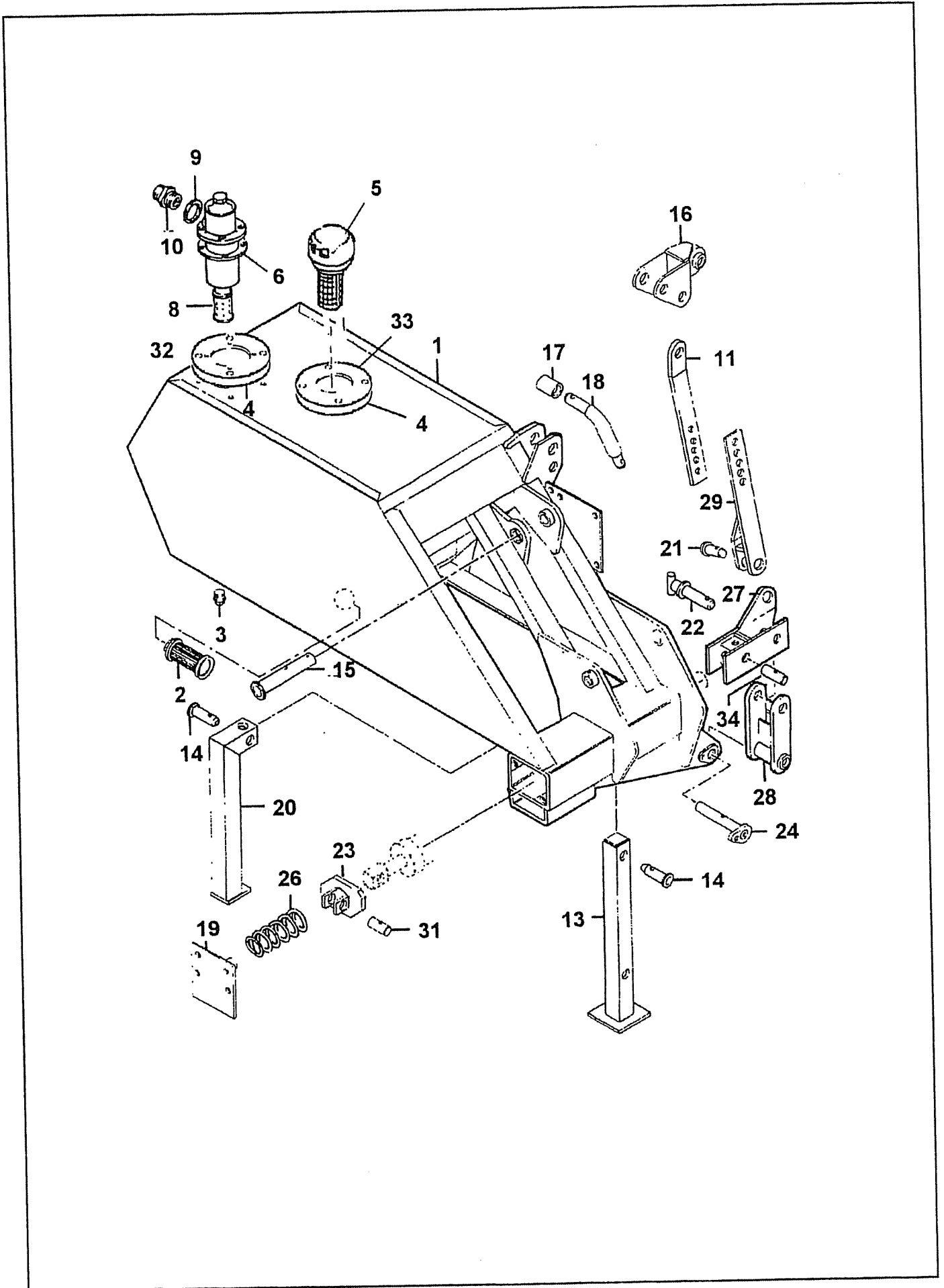
<b>PAGE NO.</b>	<b>DESCRIPTION</b>
2-1 TO 2-3	MAINFRAME
3-1 TO 3-2	CONTROL VALVE ASSEMBLY
4-1 TO 4-2	CABLE ASSEMBLY
5-1 TO 5-5	GEARBOX, PTO, PUMP ASSEMBLY AND PUMP CIRCUIT PUMP CIRCUIT
6-1 TO 6-2	RAMS AND HOSES
7-1 TO 7-2	ACCUMULATOR KIT
8-1 TO 8-4	FIRST ARM SECOND ARM COWL BRACKET
9-1 TO 9-4	DECALS

## **IMPORTANT**

THIS MACHINE IS FOR VEGETATION CONTROL AND  
MUST NOT BE USED FOR ANY OTHER PURPOSE

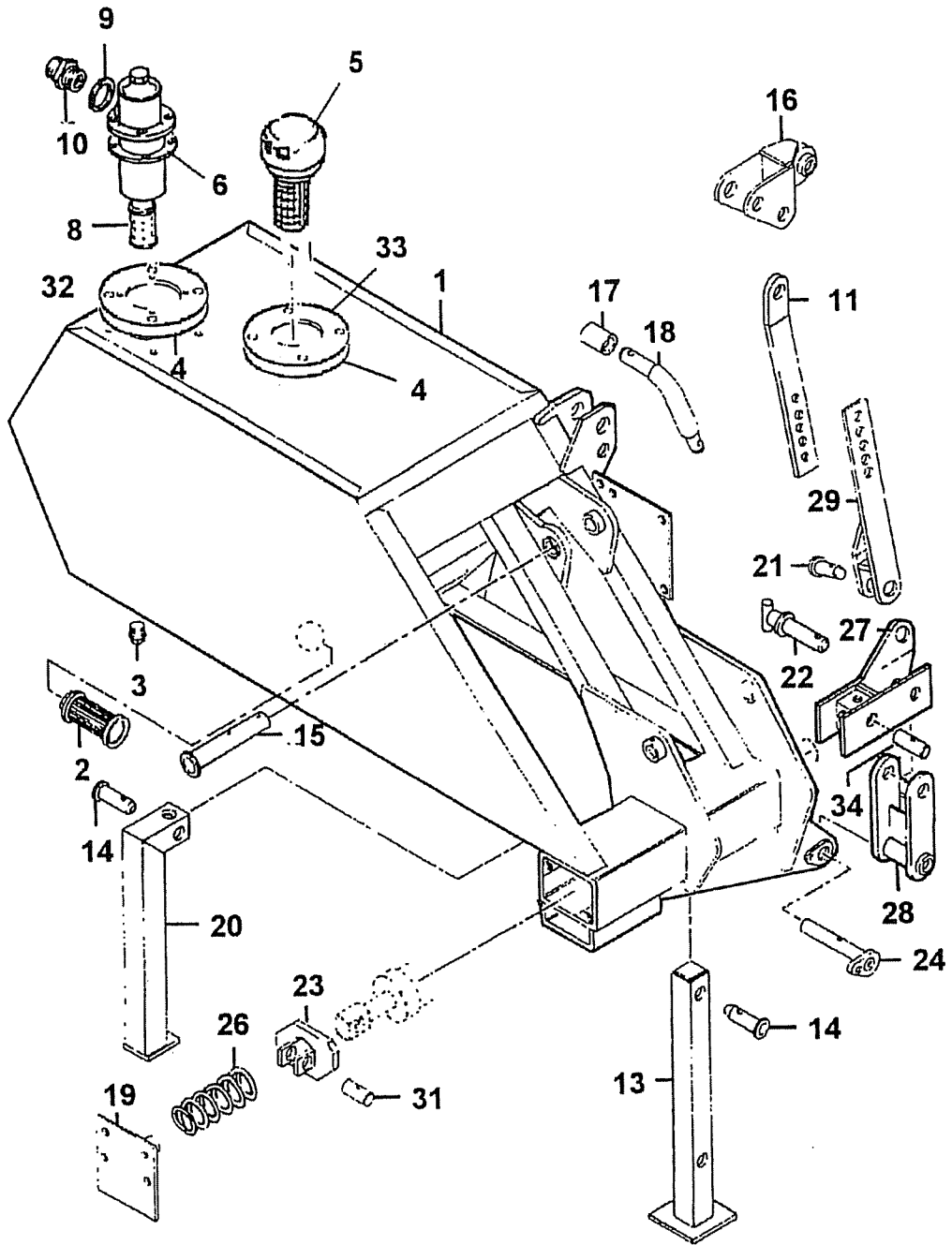
IT IS POTENTIALLY HAZARDOUS TO FIT OR USE  
ANY PARTS OTHER THAN GENUINE BOMFORD TURNER PARTS

THE COMPANY DISCLAIMS ALL LIABILITY FOR THE  
CONSEQUENCES OF SUCH USE, WHICH IN ADDITION  
VOIDS THE MACHINE WARRANTY



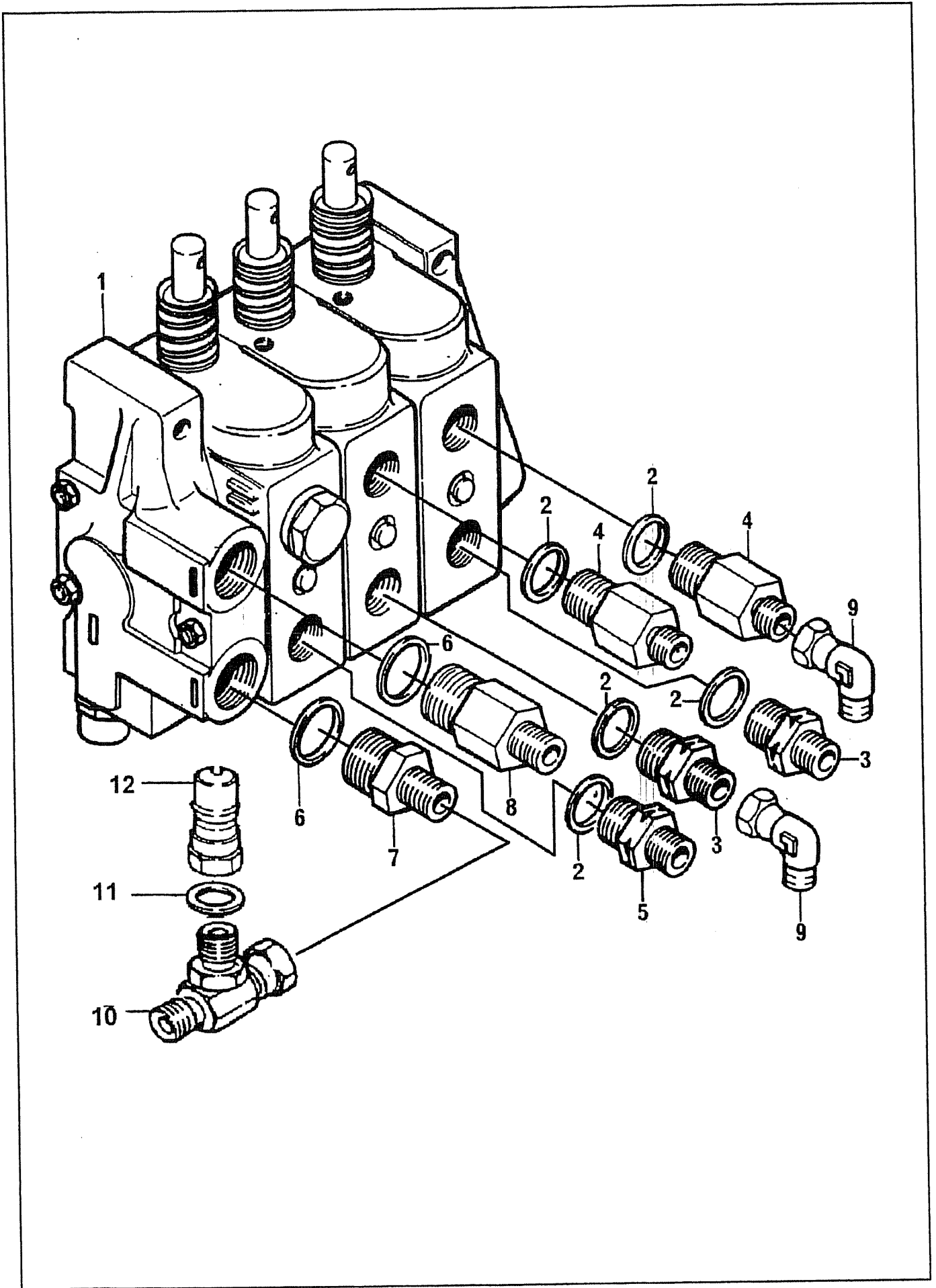
REF	PART NO.	DESCRIPTION	QTY
<b>71.002.05 MAINFRAME RH</b>			
01	04.282.02	STUD M10 X 65MM PLATED	1
01	05.227.01	HAMMER DRIVE SCREW NO.6 X 3/8"	2
01	05.281.01	FLAT WASHER 8MM PLATED	8
01	05.281.02	FLAT WASHER 10MM PLATED FORM C	1
01	05.286.01	NUT M8 PLATED	8
01	05.774.06	SERIAL NO.PLATE BOMFORD TURNER	1
01	05.953.03	GREASE NIPPLE M10	2
*01	41832.02	MAINFRAME RH	1
02	05.367.02	FILTER - SUCTION	1
03	05.495.01	PLUG 1/2"BSPT	-
04	03.823.01	GASKET	2
05	06.966.01	BREATHER CAP & STRAINER ASSY	1
06	06.516.04	GASKET	1
08	05.282.07	SPRING WASHER 6MM PLATED	4
08	05.625.09	SOCKET-CAPSCREW M6 X 25MM PLATED	4
*08	06.516.01	FILTER ASSY	1
08	06.516.03	FILTER ELEMENT	-
09	05.290.07	BONDED SEAL 1"BSP	1
10	05.434.01	ADAPTOR 1"BSP X 1"BSP	1
11	06.273.01	STAY-STABILIZER	2
12	00.372.01	LINCH PIN	7
13	05.968.02	SELF LOCKING NUT M10 (FINE)	2
*13	06.254.01	STAND-FRONT	1
14	03.652.01	PIN 20 DIA X 90	2
15	05.201.11	TENSION PIN 5MM X 45MM PLATED	1
*15	06.272.01	PIN 30 DIA X 161	1
16	05.282.05	SPRING WASHER 20MM PLATED	1
16	05.286.05	NUT M20 PLATED	1
16	05.292.42	BOLT M20 X 90MM PLATED	1
*16	06.269.01	BRACKET-TOP LINK	1
17	03.872.02	SPACER 25 O/D X 19.5 I/D X 50 PLT	1
18	02.068.01	PIN 3/4"DIA X1" X 248MM PLATED	1
19	05.264.24	SETSCREW M12 X 35MM PLATED	2
19	05.282.03	SPRING WASHER 12MM PLATED	2
*19	06.298.01	BRACKET - BREAKOUT GUIDE	1
20	06.274.01	STAND-REAR	2
21	02.618.01	PIN 25 DIA X 77MM	2
*21	03.652.01	PIN 20 DIA X 90	2
22	06.318.01	PIN-1.1/8" DIA X 103	2
23	06.291.01	BRACKET - RAM ANCHOR	1
24	04.175.01	STUD M10 X 29MM	1
24	05.281.02	FLAT WASHER 10MM PLATED FORM C	1
*24	06.294.01	PIN 30 DIA X 155MM	1

\*MAIN PART IN GROUP, RELATED PARTS HAVE SAME REFERENCE NUMBER



REF	PART NO.	DESCRIPTION	QTY
26	05.201.11	TENSION PIN 5MM X 45MM PLATED	1
*26	06.296.01	SPRING - COMP. 85 DIA X 150MM	1
27	41831.02	BRACKET-BREAKOUT CLEVIS RH	1
28	05.201.11	TENSION PIN 5MM X 45MM PLATED	1
*28	06.292.01	LINK - BREAKOUT RAM	1
29	05.264.35	SETSCREW M16 X 40MM PLATED	4
29	05.282.04	SPRING WASHER 16MM PLATED	4
29	05.286.04	NUT M16 PLATED	4
*29	06.289.01	LINK STABILIZER	2
31	06.293.01	PIN 25 DIA X 47MM	1
32	03.822.01	PLATE-FILTER MOUNTING	1
33	06.967.01	PLATE - FILLER	1
34	06.297.01	PIN 25 DIA X 72MM	1

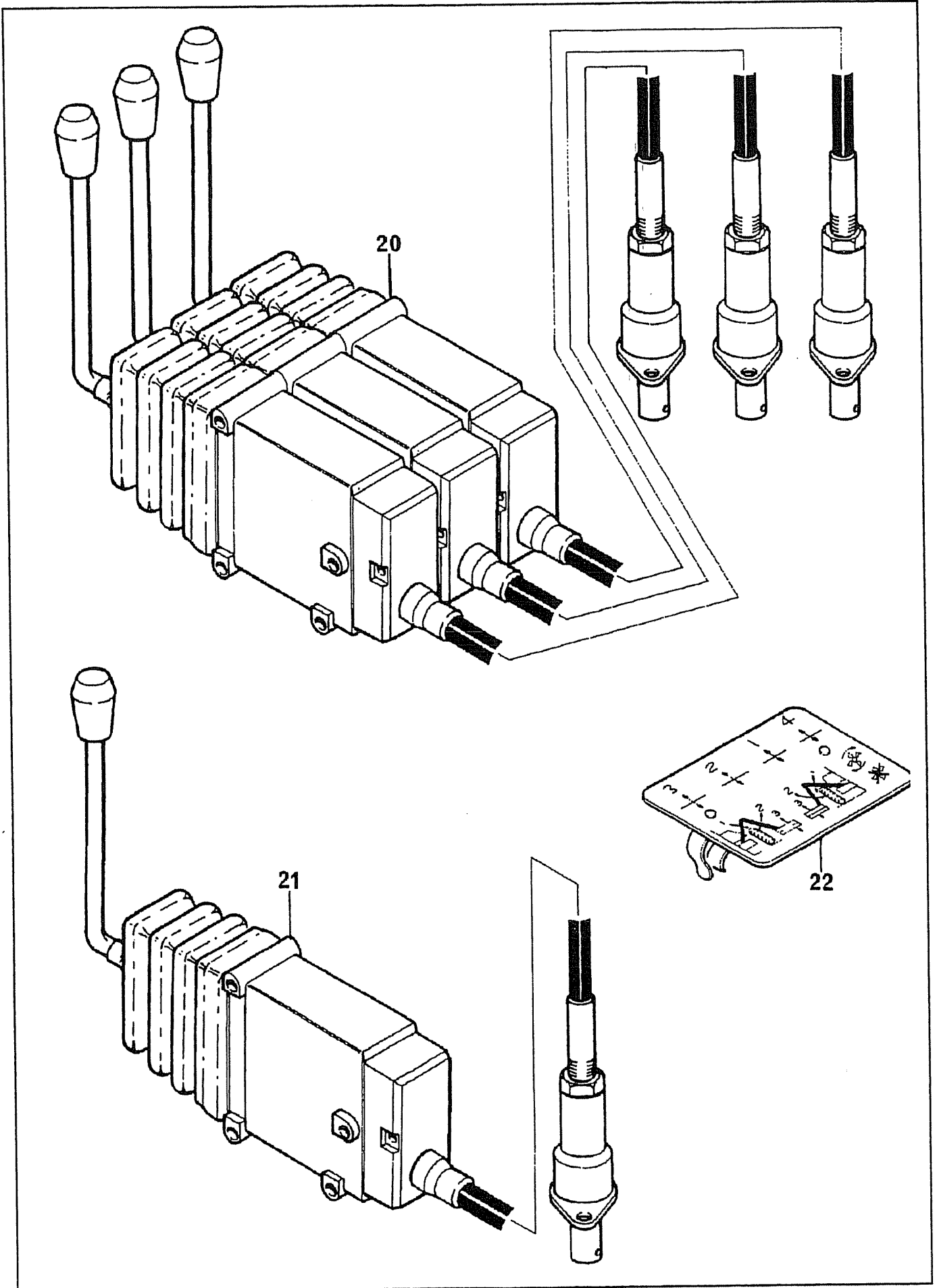
\*MAIN PART IN GROUP, RELATED PARTS HAVE SAME REFERENCE NUMBER





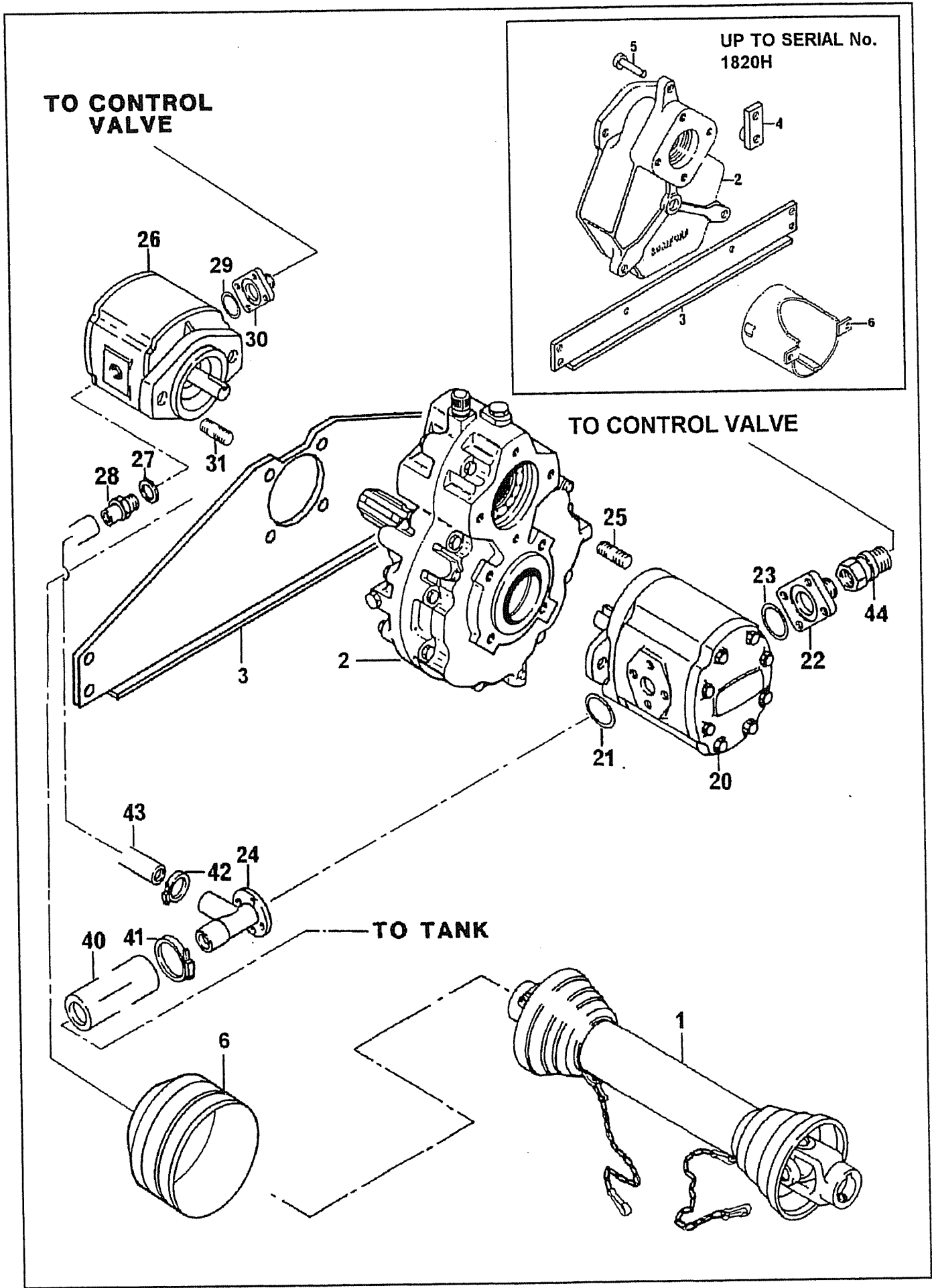
REF	PART NO.	DESCRIPTION	QTY
<b>76.304.01 CONTROL VALVE ASSY</b>			
01	0342061	SKT CAPSCREW 1/4"UNCx3/4" BZP	6
*01	41335.11	VALVE ASSY - 3 SPOOL O.C.	1
01	05.282.02	SPRING WASHER 10MM PLATED*	3
01	05.286.02	NUT M10 PLATED*	3
01	05.291.17	BOLT M10 X 60MM PLATED	3
01	05.449.01	SEAL KIT (01407 VALVES)	0
02	05.290.05	BONDED SEAL 1/2"BSP	5
03	08.955.11	ADAPTOR 1/2"BSP X 9/16"-18 JIC	2
04	08.955.11	ADAPTOR 1/2"BSP X 9/16"-18 JIC	2
05	08.955.12	ADAPTOR 1/2"BSP X 3/4"-16 JIC	1
06	05.290.06	BONDED SEAL 3/4"BSP	2
07	05.128.01	ADAPTOR 3/4" BSP X 3/8" BSP	1
08	08.955.17	ADAPTOR 3/4"BSP X 3/4"-16 JIC	1
09	05.835.11	ADAPTOR SWIVEL 90 1/4X9/16 JIC	2
10	04.056.30	ADAPTOR-TEE 3/8X1/4X3/4JIC FMM	1
11	05.290.02	BONDED SEAL 1/4"BSP	1
12	05.146.12	Q/R COUPLING 1/4" BSP MALE	1

\*MAIN PART IN GROUP. RELATED PARTS HAVE SAME REFERENCE NUMBER



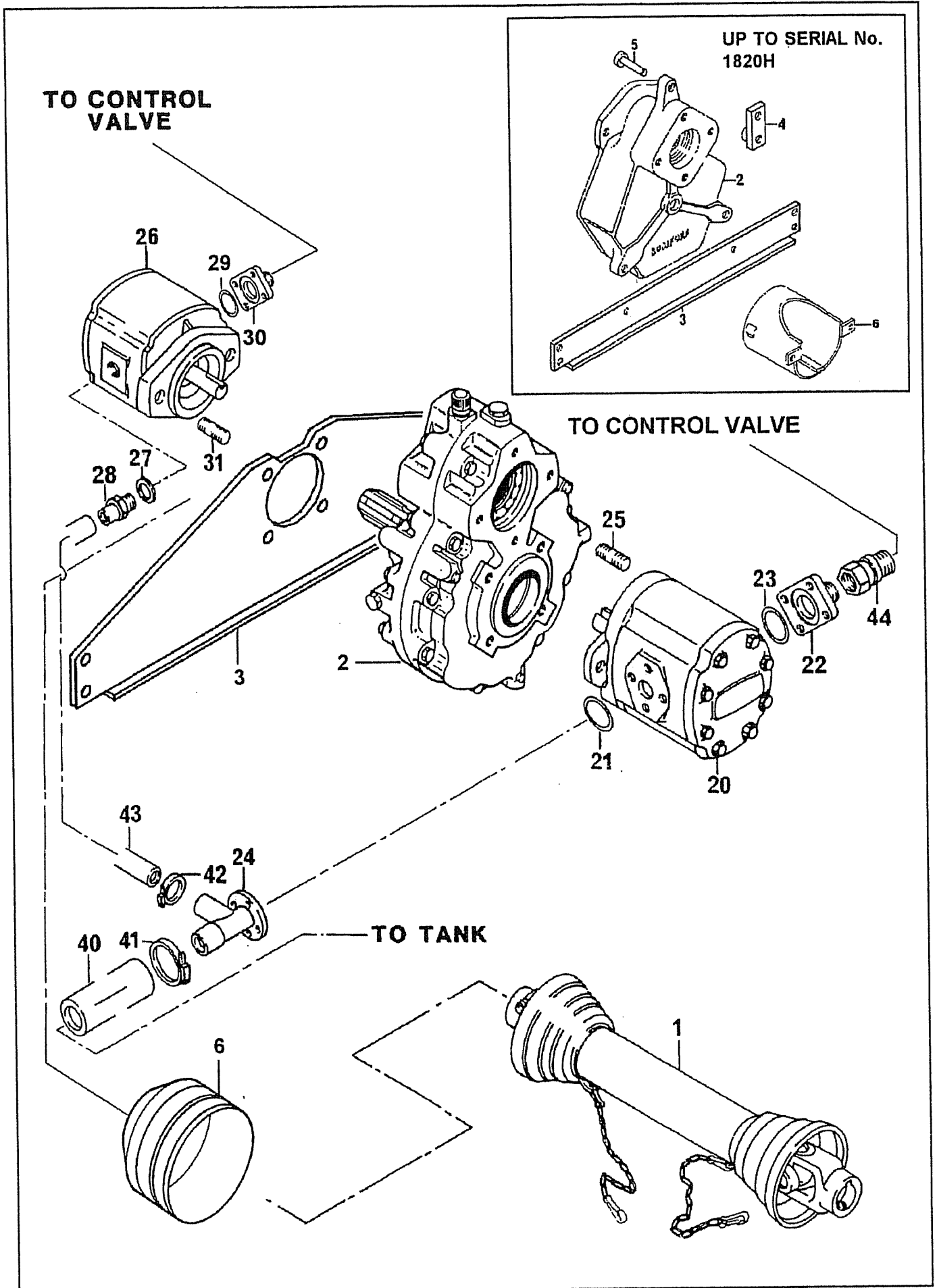
REF	PART NO.	DESCRIPTION	QTY
<b>71.005.02 CABLE ASSEMBLY NON DSR</b>			
*20	04.265.05	REMOTE CONTROL ASSY-1BANK 2.0M	3
20	04.265.07	CABLE ASSY 2.0M	-
20	04.265.08	LEVER ASSY	-
20	04.265.11	BUSH	-
20	04.265.19	SPRING COVER	-
20	04.265.24	USE 04.265.38 LEVER	-
20	04.265.28	PIN	-
20	05.281.01	FLAT WASHER 8MM PLATED	6
20	05.948.07	WING NUT M8 - PLATED	2
*21	04.265.35	REMOTE CONTROL ASSY-1BANK 2.5M	1
21	04.265.11	BUSH	-
21	04.265.19	SPRING COVER	-
21	04.265.28	PIN	-
21	04.265.33	CABLE ASSY 2.5M	-
21	04.265.53	LEVER - SHORT	-
21	04.282.01	STUD M8 X 196MM PLATED	3
21	05.286.01	NUT M8 PLATED	3
22	03.541.09	INSTRUCTION PLATE - RAM OP.	1

\*MAIN PART IN GROUP, RELATED PARTS HAVE SAME REFERENCE NUMBER



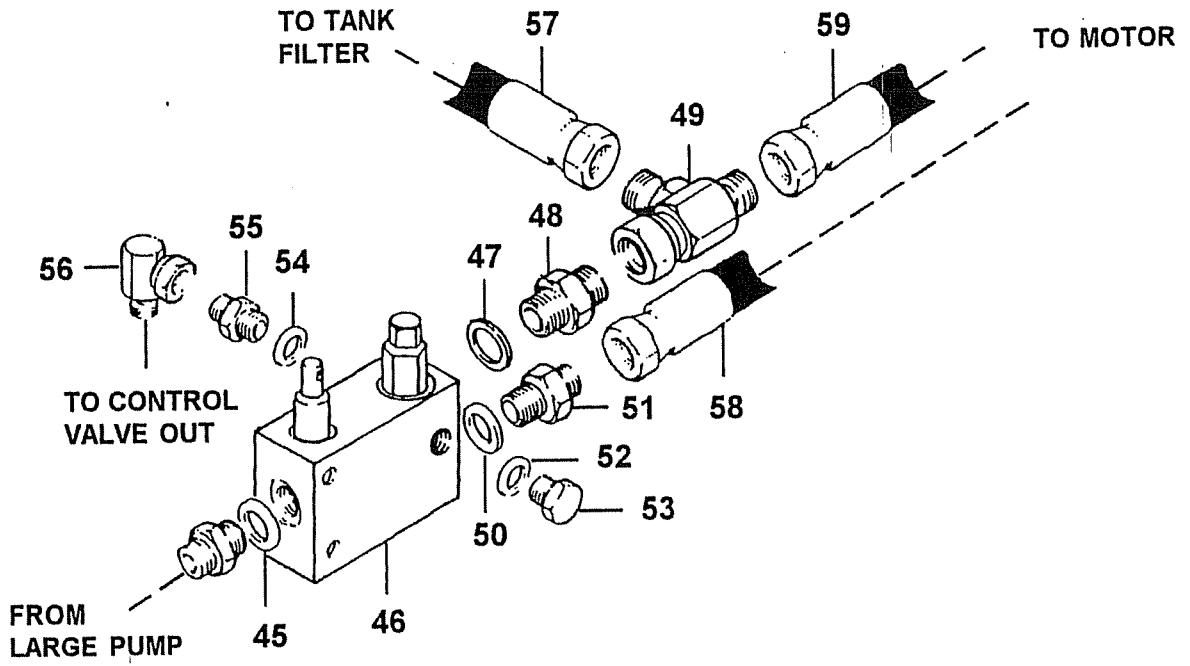
REF	PART NO.	DESCRIPTION	QTY
<b>71.100.02 GEARBOX/PTO</b>			
02	02.866.24	GEARBOX	1 Up to
03	06.417.02	STRAP-GEARBOX MOUNTING	1 Serial No.
04	02.898.01	STAY - GEARBOX TOP	1 1821H
05	02.899.01	PIN 12 DIA X 48MM	1
06	06.170.01	GUARD - PTO	1
<b>71.100.03 GEARBOX / PTO</b>			
01	41624.32	COMPLETE SHIELD	-
*01	41624.01	PTO SHAFT ASSY 560 MM C/C	1
01	41624.31	CROSS JOURNAL SET	-
02	05.264.23	SETSCREW M12 X 30MM PLATED	4
02	05.283.03	SHAKEPROOF WASHER 12MM PLATED	4 From
02	07.727.05	GEARBOX - LS 3.6:1 SPLINED	1 Serial No.
*03	42303.01	PLATE - GEARBOX MOUNTING	1 1821H
03	05.282.03	SPRING WASHER 12MM PLATED	4
03	05.286.03	NUT M12 PLATED	4
03	05.291.23	BOLT M12 X 40MM PLATED	4
*06	08.548.01	GUARD - PLASTIC PTO CUP	1
06	05.281.01	FLAT WASHER 8MM PLATED	2
06	05.282.01	SPRING WASHER 8MM PLATED	2
06	05.839.03	SETSCREW M8 X 16MM PLATED	2

\*MAIN PART IN GROUP, RELATED PARTS HAVE SAME REFERENCE NUMBER



REF	PART NO	DESCRIPTION	QTY
<b>71.101.06 PUMP-TWIN</b>			
*20	05.650.02	PUMP ASSY (207 BAR) - Up to 1820M	1
*20	05.650.03	PUMP ASSY (207 BAR) - From 1821M	1
20	05.642.02	SEAL KIT (05 650 PUMPS)	-
21	05.656.01	"O"RING 28 I/D X 2.5	1
*22	03.864.01	ADAPTOR-FLANGED 3/4"BSP PLATED	1
22	05.657.01	SCKT CAPSCRW 5/16"UNC X 7/8" PLT	4
23	05.656.03	"O"RING 25 I/D X 3.53	1
24	05.657.01	SCKT CAPSCRW 5/16"UNC X 7/8" PLT	4
*24	06.251.01	ADAPTOR-INLET PLATED	1
*25	03.100.01	STUD M10 X 34MM	2
25	05.282.02	SPRING WASHER 10MM PLATED	2
25	05.286.02	NUT M10 PLATED	2
26	06.415.02	SEAL KIT (06415 PUMP)	- ] Up to
26	06.415.01	PUMP-SPARE ALSO SUPPLY 0716701	1] 1820H
*26	09.573.01	GEAR PUMP-ULTRA 1PX070 - From S/No. 1821H	1
27	05.290.05	BONDED SEAL 1/2"BSP	1
28	04.244.01	ADAPTOR 1/2"BSP X 3/4"O/D	1
29	05.290.05	BONDED SEAL 1/2"BSP	1] Up to
30	05.123.01	ADAPTOR 1/2" BSP X 3/8" BSP	1] 1820H
29	30.210.92	O RING 200-121-4490	1) From
30	05.657.01	SCKT CAPSCREW 5/16"UNC X 7/8" PLT	4) Ser.No.
*30	41.186.01	ADAPTOR FLANGE	1) 1821H
*31	03.100.01	STUD M10 X 34MM	2
31	05.282.02	SPRING WASHER 10MM PLATED	2
31	05.286.02	NUT M10 PLATED	2
40	06.288.01	HOSE 1.1/2" BORE X 120MM	1
41	05.863.02	JUBILEE CLIP 2"DIA	2
42	05.863.03	JUBILEE CLIP 20-32 DIA	2
43	05.983.09	HOSE 3/4" BORE X 650MM PLAIN	1
44	03.858.01	ADPATOR-SWIVEL	1

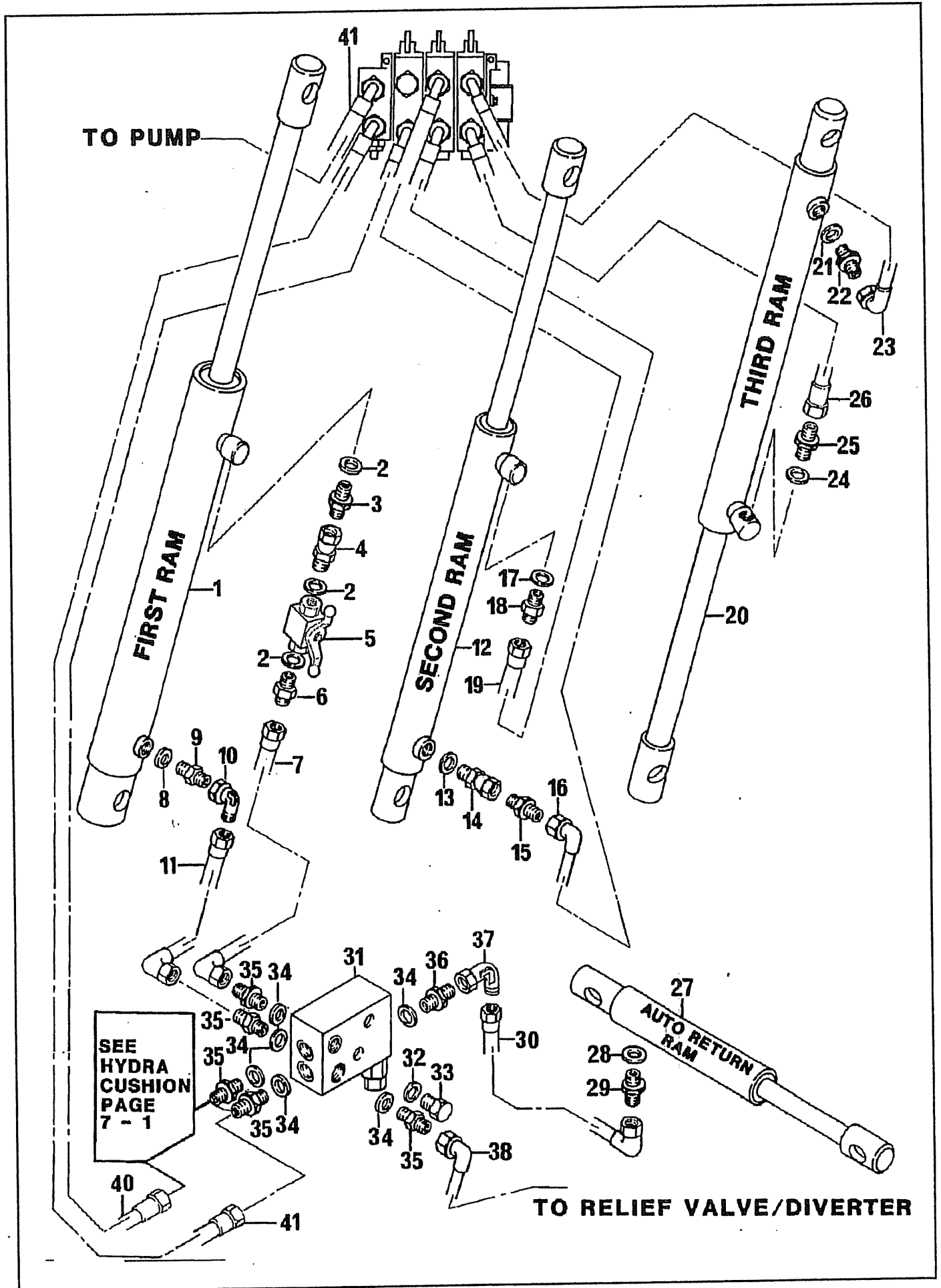
\*MAIN PART IN GROUP, RELATED PARTS HAVE SAME REFERENCE NUMBER





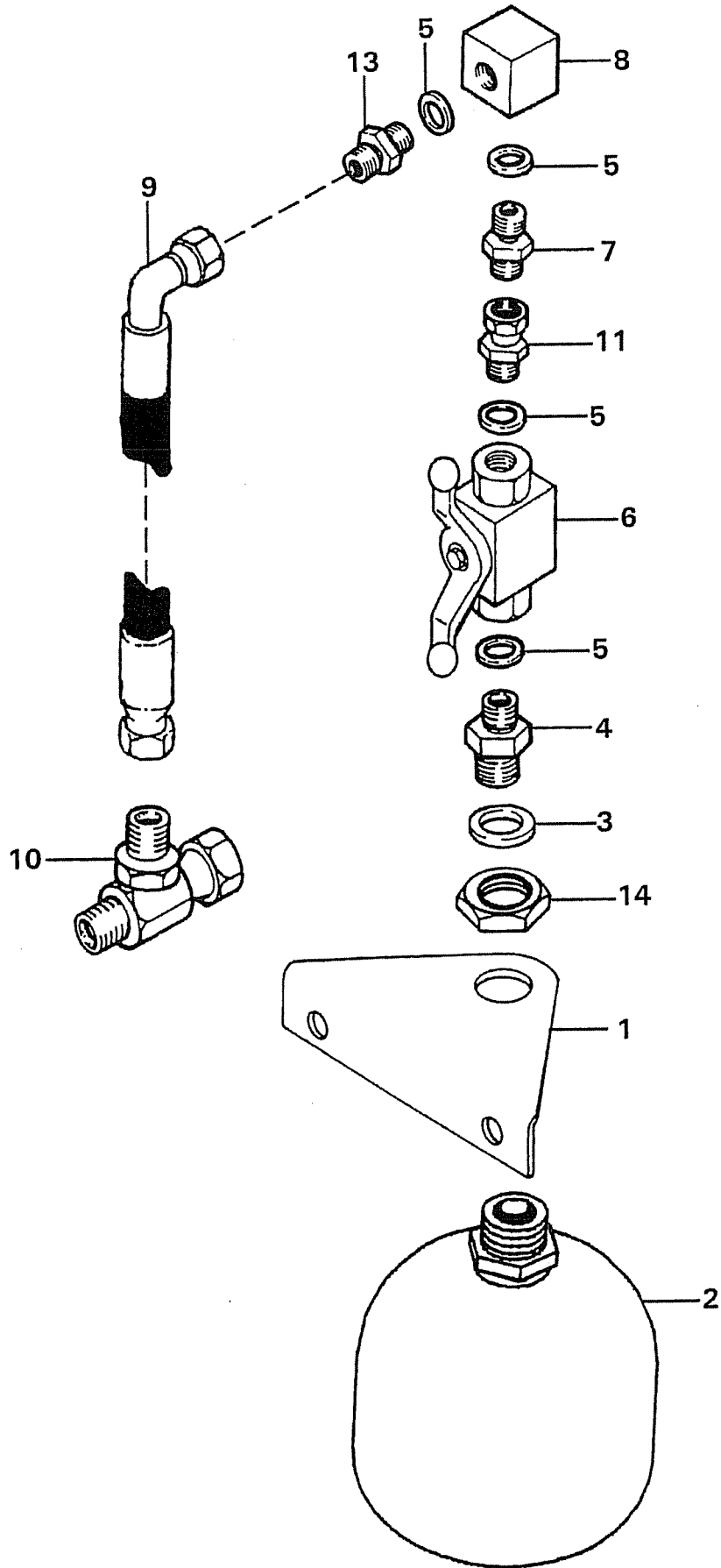
REF	PART NO.	DESCRIPTION	QTY
71.104.03 PUMP CIRCUIT TWIN			
40	06.288.01	HOSE 1.1/2" BORE X 120MM	1
41	05.863.02	JUBILEE CLIP 2"DIA	2
42	05.863.03	JUBILEE CLIP 20-32 DIA	2
43	05.983.09	HOSE 3/4" BORE X 650MM PLAIN	1
44	03.858.01	ADAPTOR-SWIVEL ST 3/4"BSP M/F	1
45	05.290.06	BONDED SEAL 3/4"BSP	1
46	05.625.11	SKT CAPSCRW 1/4UNCX5/8 PLATED*	2
46	06.284.01	RELIEF VALVE/DIVERTER ASSY	1
46	06.284.02	SEAL KIT FOR (06.284.01) VALVE	-
46	06.299.03	RELIEF VALVE CARTRIDGE 207BAR	-
47	05.290.07	BONDED SEAL 1"BSP	1
48	05.434.01	ADAPTOR 1"BSP X 1"BSP	1
49	04.056.20	ADAPTOR TEE 1"BSPX1.5/16"12JIC	1
50	05.290.06	BONDED SEAL 3/4"BSP	1
51	08.955.19	ADAPTOR 3/4"BSPX1.1/16"-12 JIC	1
52	05.117.01	COPPER WASHER 3/8" BSP	1
53	05.433.01	PLUG 3/8"BSP PLATED	1
54	05.290.04	BONDED SEAL 3/8"BSP	1
55	05.124.01	ADAPTOR 3/8" BSP X 3/8" BSP	1
56	05.835.12	ADAPTOR SWIVEL. 90 3/8X3/4 JIC	1
57	41677.02	HOSE 1"BORE X 1050 JIC ST X 135	1
58	08.960.59	HOSE 3/4"BORE X 4800 JIC ST X ST	1
59	08.962.59	HOSE 1"BORE X 4800 JIC ST X ST	1
60	08.955.19	ADAPTOR 3/4"BSP X 1.1/16"-12 JIC	1
61	08.955.40	ADAPTOR 1.1/16" X 1.5/16"JIC	1
62	8581192	UNION 3/4 BSP X 1 5/16 JIC	1
63	08.955.24	ADAPTOR 1"BSP X 1.1/16"-12 JIC	1
64	08.955.25	ADAPTOR 1"BSP X 1.5/16"-12 JIC	1

\*MAIN PART IN GROUP, RELATED PARTS HAVE SAME REFERENCE NUMBER



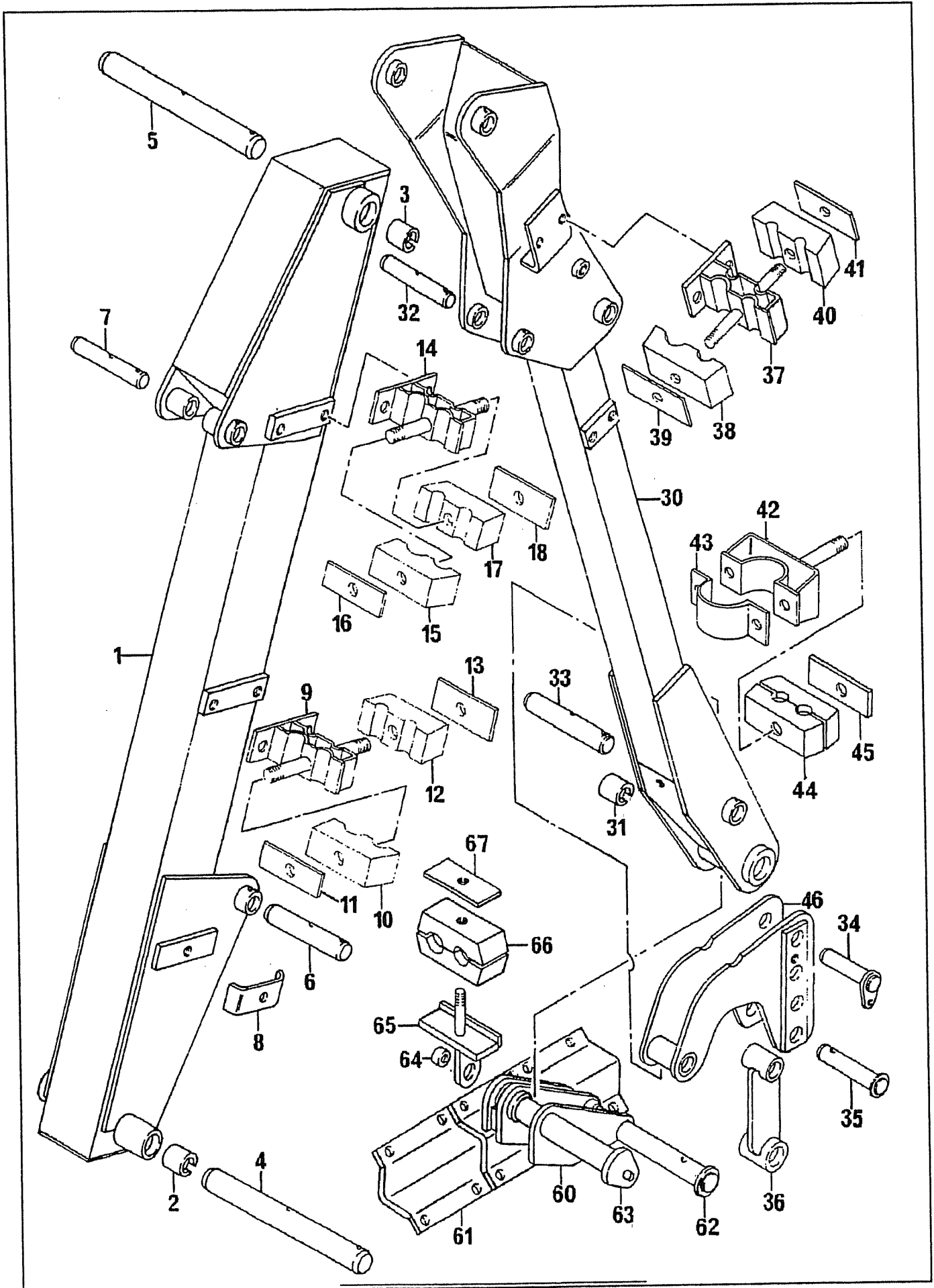
REF	PART NO.	DESCRIPTION	QTY
71.105.04 RAMS/HOSES			
01	05.201.11	TENSION PIN 5MM.X 45MM PLATED	1
01	06.285.02	SEAL KIT (06.285 RAMS)	-
*01	06.285.14	RAM ASSY-D/A 80MM BORE X 670MM	1
02	05.290.04	BONDED SEAL 3/8"BSP	3
03	46518.01	RESTRICTOR 3/8"X 3/8"BSP 1.27	1
04	02.714.01	ADAPTOR-SWIVEL ST 3/8BSP M/F	1
05	08.200.01	VALVE - ISOLATING 3/8" BSP	1
06	08.955.07	ADAPTOR 3/8"BSP X 3/4" -16 JIC	1
07	08.958.14	HOSE 3/8"BORE X 800 JIC 90XST	1
08	05.290.04	BONDED SEAL 3/8"BSP	1
09	46518.01	RESTRICTOR 3/8"X 3/8"BSP 1.27	1
10	05.835.12	ADAPTOR SWIVEL 90 3/8X3/4 JIC	1
11	08.958.16	HOSE 3/8"BORE X 900 JIC 90 X ST	1
12	04.156.13	SEAL KIT (04156 D/A RAMS)	-
12	04.156.22	RAM ASSY-D/A 60MM BORE X 645MM	1
12	05.201.11	TENSION PIN 5MM X 45MM PLATED	1
13	05.290.04	BONDED SEAL 3/8"BSP	1
14	02.714.01	ADAPTOR-SWIVEL ST 3/8BSP M/F	1
15	46518.23	RESTRICTOR 3/8"X9/16"JIC (1.27)	1
16	08.957.24	HOSE 1/4"BORE X 1500 JIC 901XST	1
17	05.290.04	BONDED SEAL 3/8"BSP	1
18	08.955.06	ADAPTOR 3/8"BSP X 9/16"-18 JIC	1
19	08.957.30	HOSE 1/4"BORE X 2200MM JIC 90XST	1
20	04.156.13	SEAL KIT (04156 D/A RAMS)	-
*20	04.156.24	RAM ASSY-D/A 60MM BORE X 430MM	1
20	05.201.11	TENSION PIN 5MM X 45MM PLATED	1
21	05.290.04	BONDED SEAL 3/8"BSP	1
22	46518.23	RESTRICTOR 3/8" X 9/16"JIC(1.27)	1
23	08.957.41	HOSE 1/4"BORE X 3300 JIC 90 X ST	1
24	05.290.04	BONDED SEAL 3/8"BSP	1
25	46518.23	RESTRICTOR 3/8" X 9/16"JIC(1.27)	1
26	08.957.46	HOSE 1/4" BORE X 3800 JIC 90/ST	1
*27	06.290.24	RAM ASS.Y S/A 40BORE	1
27	06.290.23	SEAL KIT (06.290 RAMS)	1
29	08.955.06	ADAPTOR 3/8"BSP X 9/16"-18 JIC	1
30	08.957.08	HOSE 1/4"BORE X 500MM JIC 90 X ST	1
*31	06.277.01	RELIEF VALVE ASSY(B'OUT) 180 B	1
31	06.277.02	SEAL KIT FOR (06.277.01) VALVE	-
31	06.277.07	RELIEF VALVE CARTRIDGE 180 BAR	-
32	05.117.01	COPPER WASHER 3/8" BSP	1
33	05.433.01	PLUG 3/8"BSP PLATED	1
34	05.290.04	BONDED SEAL 3/8"BSP	7
35	08.955.07	ADAPTOR 3/8"BSP X 3/4" -16 JIC	5
36	01.099.01	ADAPTOR 3/8BSP X1/4BSP	1
37	05.835.11	ADAPTOR SWIVEL 90 1/4X9/16 JIC	1
38	08.958.20	HOSE 3/8"BORE X 1200 JIC 90XST	1
40	08.958.25	HOSE 3/8"BORE X 1700 JIC 90XST	1
41	08.958.21	HOSE 3/8"BORE X 1300 JIC 90XST	1

\*MAIN PART IN GROUP, RELATED PARTS HAVE SAME REFERENCE NUMBER



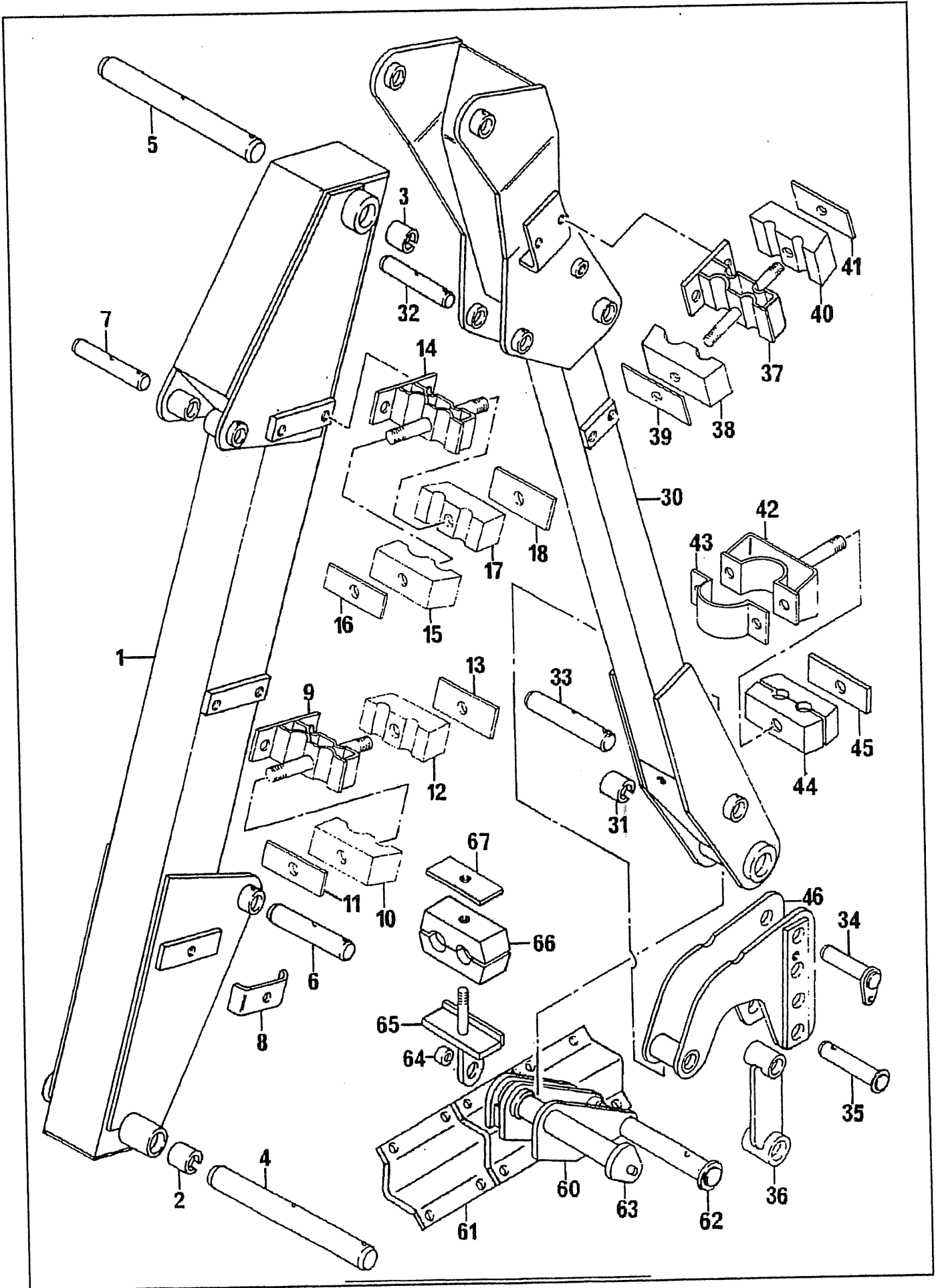
REF	PART.NO.	DESCRIPTION	QTY
<b>71.007.05 ACCUMULATOR KIT</b>			
*01	43239.01	BRACKET	1
01	04.282.79	STUD - M10 X 1.5 X 37 LONG.	2
01	05.282.02	SPRING WASHER 10MM PLATED	2
01	05.286.02	NUT M10 PLATED	1
02	41451.02	ACCUMULATOR 0.7 LTR (30 BAR)	1
03	05.290.05	BONDED SEAL 1/2"BSP	1
04	05.123.01	ADAPTOR 1/2" BSP X 3/8" BSP	1
05	05.290.04	BONDED SEAL 3/8"BSP	5
06	08.200.01	VALVE - ISOLATING 3/8" BSP	1
07	05.124.01	ADAPTOR 3/8" BSP X 3/8" BSP	2
08	00.954.01	DIST-BLOCK - 3 PORT PLATED	1
09	08.958.18	HOSE 3/8"BORE X 1000 JIC 90XST	1
10	05.835.12	ADAPTOR SWIVEL 90 3/8 X 3/4 JIC	1
11	02.714.01	ADAPTOR-SWIVEL ST 3/8 BSP M/F	1
13	08.955.07	ADAPTOR 3/8"BSP X 3/4" -16 JIC	1
14	8126035	M33 NUT, BULKHEAD	1

\*MAIN PART IN GROUP, RELATED PARTS HAVE SAME REFERENCE NUMBER



REF	PART NO.	DESCRIPTION	QTY
<b>71.095.02 FIRST ARM</b>			
01	06.547.01	ARM FIRST	1
02	02.771.03	TENSION BUSH 45 X 40 X 50	4
*04	03.656.04	PIN 40 DIA X 280	1
04	05.201.10	TENSION PIN 10MMX60MM PLATED	2
04	05.953.03	GREASE NIPPLE M10	1
*05	03.656.15	PIN 40 DIA X 227	1
05	05.953.03	GREASE NIPPLE M10	1
*06	06.256.01	PIN 25 DIA X 200	1
06	03.786.04	INSTRUCTION PLATE-GREASE M10	1
06	05.201.11	TENSION PIN 5MM X 45MM PLATED	1
06	05.953.03	GREASE NIPPLE M10	1
*07	06.257.01	PIN 30 DIA X 170	1
07	03.786.04	INSTRUCTION PLATE-GREASE M10	1
07	05.201.11	TENSION PIN 5MM X 45MM PLATED	1
07	05.953.03	GREASE NIPPLE M10	1
*08	06.271.01	CLAMP HOSE	1
08	04.489.01	SPACER 3/4" O/D X 1/2" I/D X 12MM	1
08	05.264.22	SETSCREW M12 X 25MM PLATED	1
08	05.282.03	SPRING WASHER 12MM PLATED	1
*09	06.419.01	CLAMP HOSE - BRACKET	1
09	04.282.24	STUD M10 X 29 PLATED	2
09	05.281.01	FLAT WASHER 8MM PLATED	2
09	05.282.01	SPRING WASHER 8MM PLATED	2
09	05.282.02	SPRING WASHER 10MM PLATED	2
09	05.286.01	NUT M8 PLATED	2
09	05.286.02	NUT M10 PLATED	2
10	06.430.01	CLAMP HOSE 38 X 28	1
11	06.418.01	CLAMP PLATE 95 X 6	1
12	06.430.02	CLAMP HOSE 14 X 14	1
13	06.418.02	CLAMP PLATE 30 X 6 PLATED	1
*14	06.419.01	CLAMP HOSE - BRACKET	1
14	04.282.24	STUD M10 X 29 PLATED	2
14	05.281.01	FLAT WASHER 8MM PLATED	2
14	05.282.01	SPRING WASHER 8MM PLATED	2
14	05.282.02	SPRING WASHER 10MM PLATED	2
14	05.286.01	NUT M8 PLATED	2
14	05.286.02	NUT M10 PLATED	2
15	06.430.01	CLAMP HOSE 38 X 28	1
16	06.418.01	CLAMP PLATE 95 X 6	1
17	06.430.02	CLAMP HOSE 14 X 14	1
18	06.418.02	CLAMP PLATE 30 X 6 PLATED	1

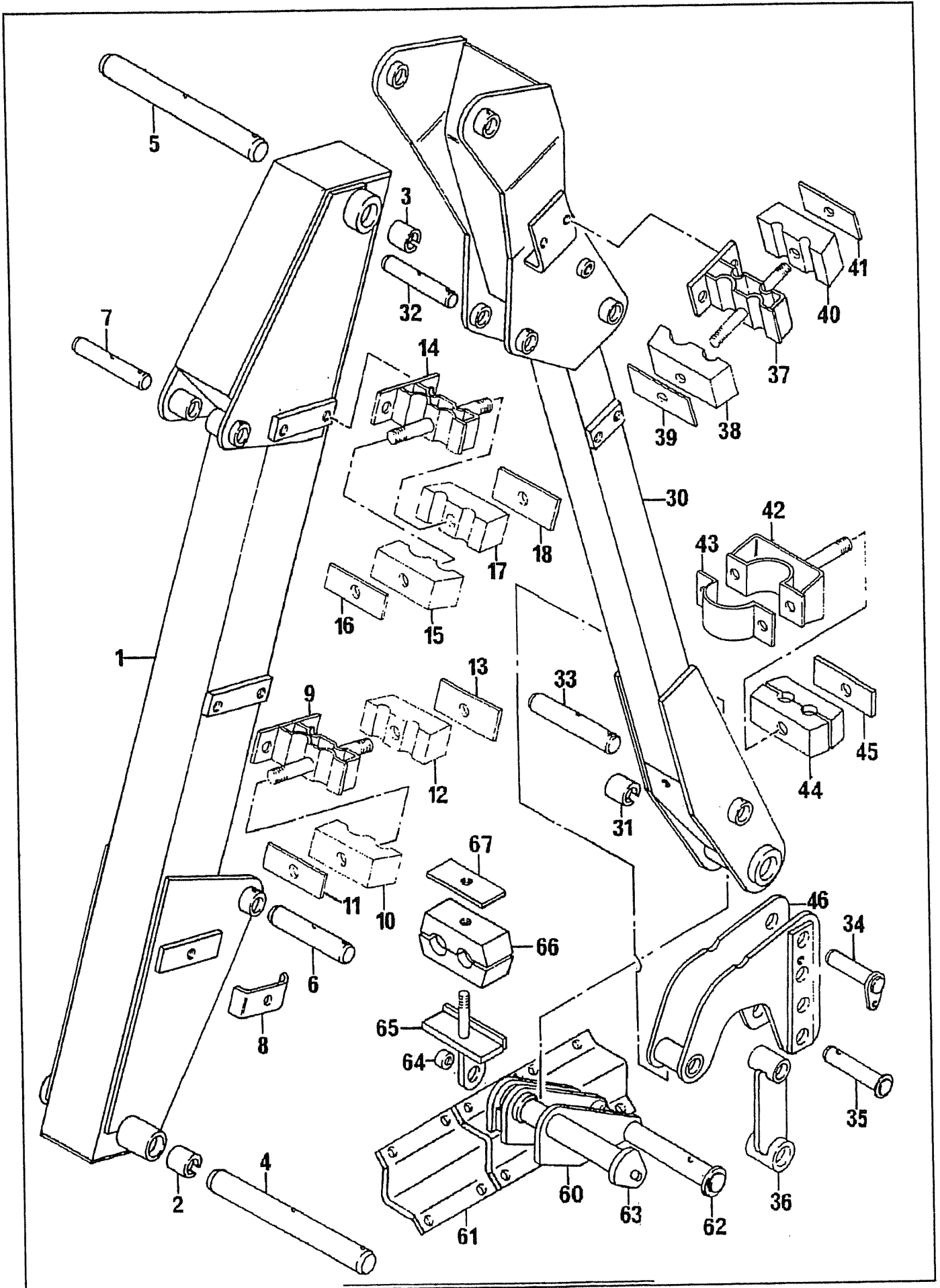
\*MAIN PART IN GROUP, RELATED PARTS HAVE SAME REFERENCE NUMBER





REF	PART NO.	DESCRIPTION	QTY
		71.096.01 SECOND ARM	
30	05.953.03	GREASE NIPPLE M10	1
*30	06.423.01	ARM-SECOND	1
31	02.771.03	TENSION BUSH 45 X 40 X 50	2
32	03.786.04	INSTRUCTION PLATE-GREASE M10	2
32	05.201.11	TENSION PIN 5MM X 45MM PLATED	2
32	05.953.03	GREASE NIPPLE M10	2
*32	06.258.01	PIN 25 DIA X 142	2
33	03.786.04	INSTRUCTION PLATE-GREASE M10	1
33	05.201.11	TENSION PIN 5MM X 45MM PLATED	1
33	05.953.03	GREASE NIPPLE M10	1
*33	06.261.01	PIN 25 DIA X 120	1
*34	03.653.04	PIN 25 DIA X 83	1
34	04.175.01	STUD M10 X 29MM	1
34	05.281.02	FLAT WASHER 10MM PLATED FORM C	1
34	05.953.01	GREASE NIPPLE M6	1
34	05.968.02	SELF LOCKING NUT M10 (FINE)	1
35	00.372.01	LINCH PIN	1
*35	03.653.03	PIN 25 DIA X 106	1
*36	03.846.01	LINK COWL	1
36	05.953.01	GREASE NIPPLE M6	2
37	05.264.11	SETSCREW M10 X 20MM PLATED	2
37	05.281.01	FLAT WASHER 8MM PLATED	2
37	05.282.01	SPRING WASHER 8MM PLATED	2
37	05.282.02	SPRING WASHER 10MM PLATED	2
37	05.286.01	NUT M8 PLATED	2
*37	06.419.01	CLAMP HOSE - BRACKET	1
38	06.430.01	CLAMP HOSE 38 X 28	1
39	06.418.01	CLAMP PLATE 95 X 6	1
40	06.430.02	CLAMP HOSE 14 X 14	1
41	06.418.02	CLAMP PLATE 30 X 6 PLATED	1
42	05.264.12	SETSCREW M10 X 25MM PLATED	2
42	05.281.01	FLAT WASHER 8MM PLATED	1
42	05.282.01	SPRING WASHER 8MM PLATED	1
42	05.282.02	SPRING WASHER 10MM PLATED	2
42	05.286.01	NUT M8 PLATED	1
42	05.286.02	NUT M10 PLATED	2
*42	06.422.01	HOSE CLAMP	1
43	06.420.01	CLAMP	1
44	06.430.01	CLAMP HOSE 38 X 28	2
45	06.418.01	CLAMP PLATE 95 X 6	1
46	06.314.01	LINK-THIRD RAM	1

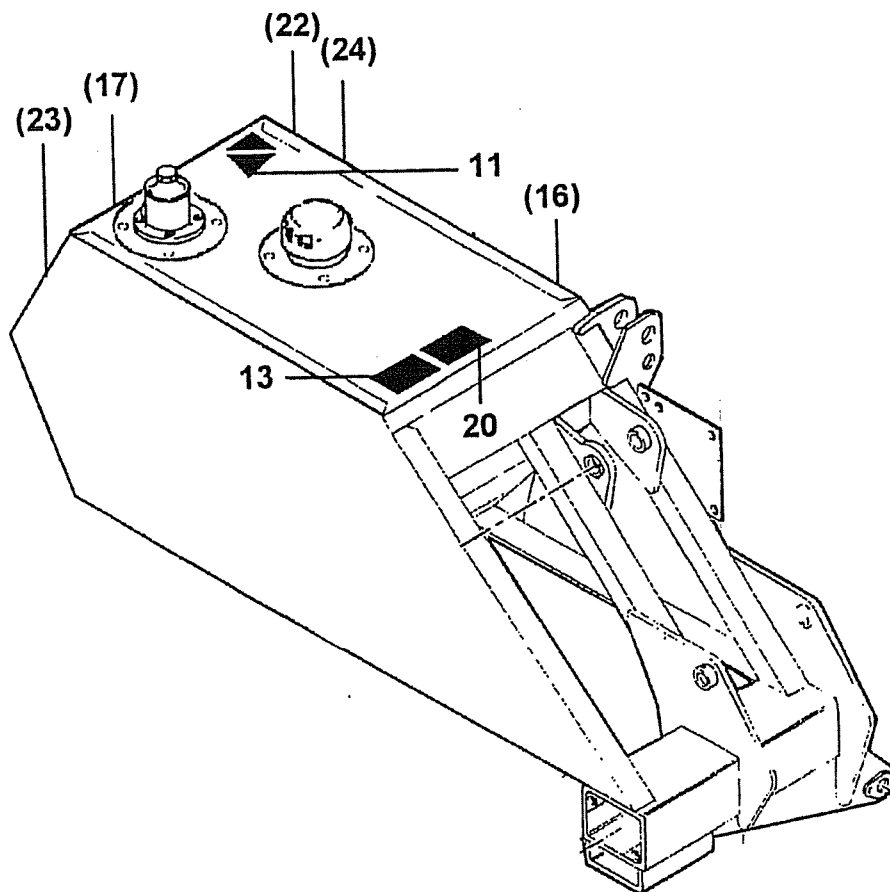
\*MAIN PART IN GROUP, RELATED PARTS HAVE SAME REFERENCE NUMBER



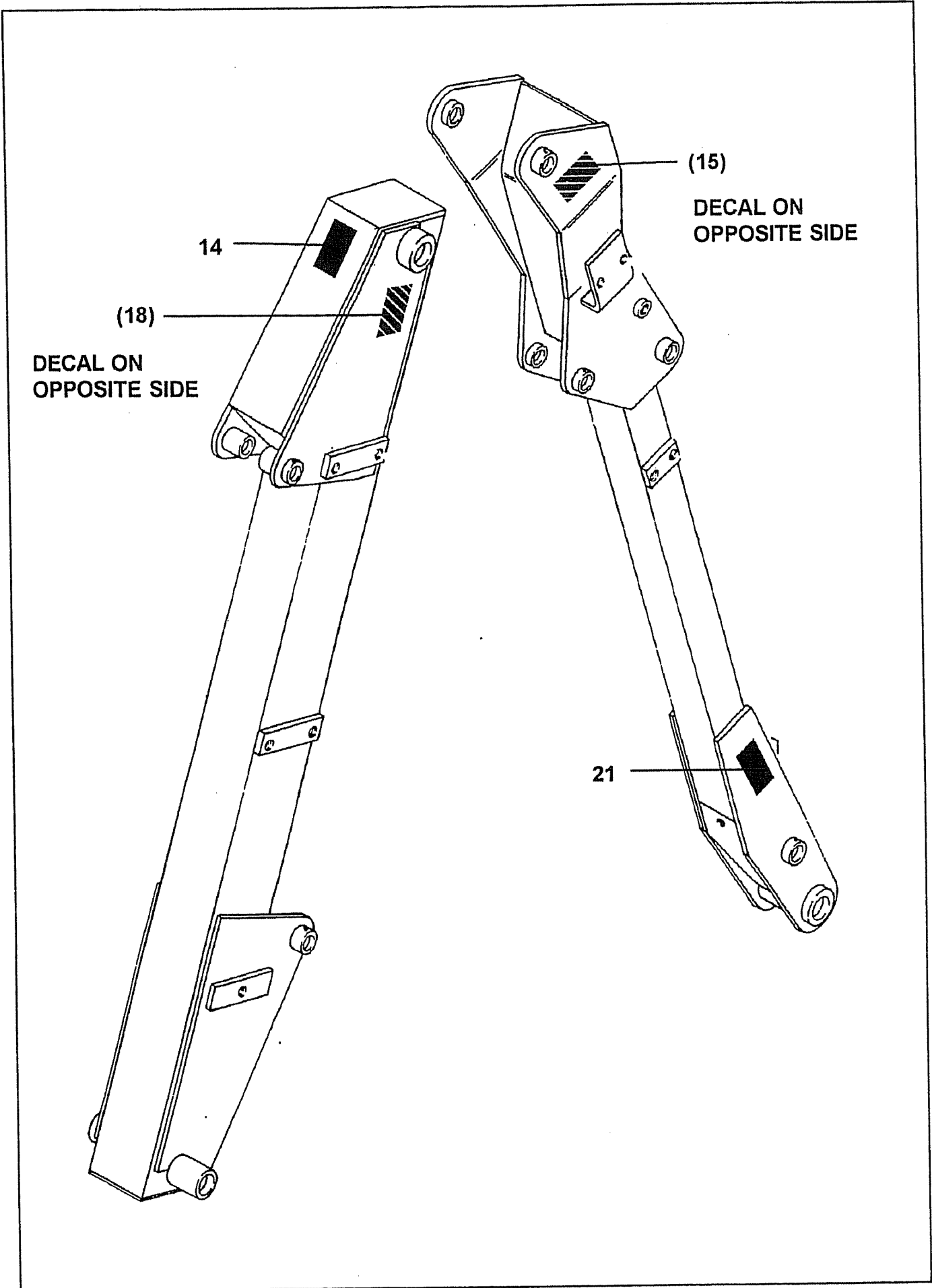
REF	PART NO.	DESCRIPTION	QTY
<b>71.098.02 COWL BRACKET RH</b>			
60	06.425.02	BRACKET-COWL RH	1
61	05.264.24	SETSCREW M12 X 35MM PLATED	6
61	05.282.03	SPRING WASHER 12MM PLATED	6
61	05.286.03	NUT M12 PLATED	6
*61	07.947.01	CLAMP - COWL BRACKET	1
*62	03.654.15	PIN 30 DIA X 132	1
62	05.201.11	TENSION PIN 5MM X 45MM PLATED	1
*63	03.656.16	PIN 40 DIA X 192	1
63	04.174.01	STUD M12 X 38MM	1
63	04.490.01	WASHER 30 O/D X 13 I/D X 4MM	1
63	05.264.25	SETSCREW M12 X 40MM PLATED	1
63	05.281.03	FLAT WASHER 12MM PLATED	1
63	05.968.03	SELF LOCKING NUT M12 (FINE)	1
64	04.489.01	SPACER 3/4" O/D X 1/2" I/D X 12MM	1
65	05.281.01	FLAT WASHER 8MM PLATED	1
65	05.282.01	SPRING WASHER 8MM PLATED	1
65	05.286.01	NUT M8 PLATED	1
*65	06.426.01	BRACKET - HOSE CLAMP	1
66	06.430.03	CLAMP HOSE	2
67	06.418.01	CLAMP PLATE 95 X 6	1

\*MAIN PART IN GROUP, RELATED PARTS HAVE SAME REFERENCE NUMBER

ITEMS 16, 17, 22, 23, & 24 ARE ALL POSITIONED  
ON TOP EDGE OF SIDES AS INDICATED



REF	PART NO.	DESCRIPTION	QTY
<b>72.421.02 DECALS</b>			
01	09.191.02	DECAL GT 468S (LARGE)	1
02	09.194.02	DECAL GT 468S (SMALL)	1
03	09.810.01	DECAL-GREASE (8 HOURS)	10
04	09.843.04	DECAL - LIFT POINT 750 KG	2
05	06.820.02	DECAL-ROTOR SHAFT CONTROL	1
06	09.106.01	DECAL - BOMFORD - (LARGE)	1
07	09.106.02	DECAL - BOMFORD - (SMALL)	1
<b>74.912.01 ENGINEERING DECALS</b>			
10	08.632.01	DECAL - TRANSPORT	1
11	09.030.01	DECAL - OIL FILTER	1
12	09.811.01	DECAL - MAX PTO SPEED 540	1
12	09.811.04	DECAL - MAX PTO SPEED 540 ACW	1
13	09.821.01	DECAL - READ INSTRUCTION BOOK	1
14	09.821.02	DECAL - STAY CLEAR O'HD CABLES	1
15	09.821.03	DECAL - DON'T STAND UNDER ARMS	1
16	09.821.07	DECAL - RESIDUAL PRESSURE	1
17	09.821.09	DECAL - HOT SURFACE	1
18	09.821.10	DECAL - KEEP NUTS TIGHT	1
19	09.821.06	DECAL - SLEW DANGER	1
20	09.821.20	DECAL - SHAFT ENTANGLEMENT	1
21	09.821.23	DECAL - PINCH POINT	1
22	09.845.01	DECAL - APPROVED OILS	1
23	09.846.01	DECAL - OIL FILTER CHANGE	1
24	09.570.01	DECAL - TANK FULL OF OIL	1



REF	PART NO.	DESCRIPTION	QTY
<b>72.421.02 DECALS</b>			
01	09.191.02	DECAL GT 468S (LARGE)	1
02	09.194.02	DECAL GT 468S (SMALL)	1
03	09.810.01	DECAL-GREASE (8 HOURS)	10
04	09.843.04	DECAL - LIFT POINT 750 KG	2
05	06.820.02	DECAL-ROTOR SHAFT CONTROL	1
06	09.106.01	DECAL - BOMFORD - (LARGE)	1
07	09.106.02	DECAL - BOMFORD - (SMALL)	1
<b>74.912.01 ENGINEERING DECALS</b>			
10	08.632.01	DECAL - TRANSPORT	1
11	09.030.01	DECAL - OIL FILTER	1
12	09.811.01	DECAL - MAX PTO SPEED 540	1
12	09.811.04	DECAL - MAX PTO SPEED 540 ACW	1
13	09.821.01	DECAL - READ INSTRUCTION BOOK	1
14	09.821.02	DECAL - STAY CLEAR O'HD CABLES	1
15	09.821.03	DECAL - DON'T STAND UNDER ARMS	1
16	09.821.07	DECAL - RESIDUAL PRESSURE	1
17	09.821.09	DECAL - HOT SURFACE	1
18	09.821.10	DECAL - KEEP NUTS TIGHT	1
19	09.821.06	DECAL - SLEW DANGER	1
20	09.821.20	DECAL - SHAFT ENTANGLEMENT	1
21	09.821.23	DECAL - PINCH POINT	1
22	09.845.01	DECAL - APPROVED OILS	1
23	09.846.01	DECAL - OIL FILTER CHANGE	1
24	09.570.01	DECAL - TANK FULL OF OIL	1