

PM987

**B467**  
**ARM MOWER**

PARTS MANUAL

## IMPORTANT

NOTE HERE THE SERIAL NUMBER OF YOUR MACHINE AND ALWAYS QUOTE IT IN ANY COMMUNICATION WITH US OR YOUR DEALER. THIS IS PARTICULARLY IMPORTANT WHEN ORDERING SPARES. REMEMBER TO INCLUDE ALL NUMBERS AND LETTERS.

MACHINE SERIAL NUMBERS \_\_\_\_\_

THE INFORMATION GIVEN THROUGHOUT THIS MANUAL IS CORRECT AT THE TIME OF PUBLICATION. HOWEVER, IN THE COURSE OF CONSTANT DEVELOPMENT OF BOMFORD TURNER MACHINES, CHANGES IN SPECIFICATION ARE INEVITABLE. SHOULD YOU FIND THE INFORMATION GIVEN IN THIS BOOK TO BE AT VARIANCE WITH THE MACHINE IN YOUR POSSESSION, YOU ARE ADVISED TO CONTACT THE BOMFORD TURNER SERVICE DEPARTMENT WHERE UP-TO-DATE INFORMATION WILL BE PROVIDED.

THE MANUAL CAN CONTAIN STANDARD AND OPTIONAL FEATURES AND IS NOT TO BE USED AS A MACHINE SPECIFICATION.

THE MACHINE HAS BEEN TESTED AND IS CONSIDERED SAFE IF CAREFULLY USED. ENSURE YOUR OPERATOR IS PROPERLY TRAINED IN ITS USE AND MAINTENANCE.

---

## IMPORTANT

NOTEZ ICI LES NUMEROS DE SERIE DE VOTRE MACHINE ET MENTIONNEZ LES DANS TOUTE COMMUNICATION AVEC NOS SERVICES OU VOTRE REVENDEUR. CECI EST IMPORTANT POUR LA COMMANDE DE PIECES DETACHEES. PENSEZ A NOTER TOUS LES NUMEROS ET TOUTES LES LETTERS.

NUMEROS DE SERIE DE LA MACHINE \_\_\_\_\_

LES INFORMATIONS DONNEES DANS CE MANUEL SONT CORRECTES CEPENDANT, DU FAIT DE DEVELOPPEMENT CONSTANT DES MACHINES BOMFORD TURNER.

CHANGEMENTS DANS LES CARACTERISTIQUES SONT INEVITABLES.

SI VOUS TROUVEZ QUE LES INFORMATIONS DONNEES NE CORRESPONDENT PAS A VOTRE MACHINE VEUILLEZ CONTACTER LE SERVICE DES REPARATIONS OU DES INFORMATIONS PLUS RECENTES VOUS SERONT DONNEES. CE MANUEL PEUT MONTRER DES CARACTERISTIQUES OPTIONNELLES ET NE PEUT PAS ETRE CONSIDERE COMME SPECIFICATION DE LA MACHINE.

CETTE MACHINE A ETE TESTEE, ET ELLE EST CONSIDEREE COMME FIABLE A CONDITION D'UNE BONNE UTILISATION. ASSUREZ-VOUS QUE VOTRE OPERATEUR EST QUALIFIE EN CE QUI CONCERNE L'UTILISATION DE LA MACHINE AINSI QUE SON ENTRETIEN.

---

## WICHTIG

TRAGEN SIE HIER DIE SERIENNUMMERN IHRER MASCHINE EIN UND GEBEN SIE DIESE IMMER AN, WENN SIE SICH AN UNS ODER IHREN HÄNDLER WENDEN. DAS IST BESONDERS BEI ERSATZTEILBESTELLUNGEN WICHTIG. VERGESSEN SIE NICHT, ALLE ZAHLEN UND BUCHSTABEN ZU NOTIEREN.

SERIENNUMMERN DER MASCHINE \_\_\_\_\_

DIE ANGABEN IN DIESEM HANDBUCH SIND BEI VERÖFFENTLICHUNG KORREKT. AUFGRUND DER KONSTANTEN WEITERENTWICKLUNG VON BOMFORD TURNER MASCHINEN SIND JEDOCH ÄNDERUNGEN IN DER SPEZIFIKATION UNVERMEIDLICH. WENN DIE INFORMATION IN DIESEM HANDBUCH NICHT MIT IHRER MASCHINE ÜBEREINSTIMMEN, NEHMEN SIE BITTE KONTAKT MIT DER BOMFORD TURNER KUNDENDIENSTABTEILUNG AUF, DIE IHNEN GERNE DIE AKTUELLEN INFORMATION ZUKOMMEN LÄSST.

DAS HANDBUCH KANN SOWOHL BESCHREIBUNGEN FÜR DIE STANDARD AUSFÜHRUNG ALS AUCH FÜR ZUBEHÖR ENTHALTEN UND IST NICHT ALS MASCHINENSPEZIFIKATION ZU VERWENDET.

DIE MASCHINE IST GETESTET UND BEI SACHGEMÄSSEM BETRIEB ALS SICHER BEFUNDEN WORDEN. SORGEN SIE DAFÜR, DASS IHR BEDIENPERSONAL IN ANWENDUNG UND WARTUNG RICHTIG GESCHULT WIRD.

## B467 ARM MOWER

PAGE AND ILLUSTRATION NUMBERS SHOWN ARE USED ONLY FOR REFERENCE PURPOSES AND SHOULD NOT BE USED FOR ORDERING SPARE PARTS. PLEASE ENSURE THE CORRECT PART NUMBER AND DESCRIPTION IS GIVEN WHEN ORDERING SPARE PARTS.

FOR MACHINES WITH SERIAL NUMBERS COMMENCING FROM: ...4155D.....

LES NUMEROS DE PAGE ET D'ILLUSTRATION NE SONT DONNES QUE COMME REFERENCE ET NE DOIVENT PAS ETRE UTILISES LORS DES COMMANDES DE PIECES DETACHEES. VEUILLEZ TOUJOURS VOUS ASSURER DE DONNER LE BON NUMERO DE LA PIECE ET SA DESCRIPTION CORRECTE QUAND VOUS PASSEZ UNE COMMANDE DE PIECES DETACHEES.

POUR MACHINES AVEC UN NUMEROS DE SERIE A PARTIR DE: ...4155D.....

PAGE	SECTION	
2 - 1 * 2 - 3	MAINFRAME	BATI PRINCIPAL
	FILTER	FILTRE
3 - 1 * 3 - 2	CONTROL VALVE	DISTRIBUTEUR
3 - 3 * 3 - 4	CONTROL VALVE (CABLE)	DISTRIBUTEUR (CABLE)
4 - 1 * 4 - 2	CABLE ASSEMBLY	ENSEMBLE CABLE
5 - 1 * 5 - 3	GEARBOX, PUMP	MULTIPLICATEUR/POMPE
5 - 4 * 5 - 7	GEARBOX, PUMP	MULTIPLICATEUR/POMPE
6 - 1 * 6 - 3	ARMS, COWL BRACKET	BRAS, SUPPORT ROTOR
7 - 1 * 7 - 2	RAM CIRCUITS, TWIN	CIRCUIT VERINS DOUBLE POMPE
7 - 1 * 7 - 4	PARALLEL CIRCUIT	CIRCUIT SYSTEME PARALLELOGRAMME
7 - 1 * 7 - 5	RAM CIRCUIT SINGLE	CIRCUIT VERINS SIMPLE POMPE
8 - 2	DECALS	AUTOCOLLANTS

### IMPORTANT

IT IS POTENTIALLY HAZARDOUS TO FIT OR USE ANY PARTS OTHER THAN GENUINE BOMFORD TURNER PARTS.

THE COMPANY DISCLAIMS ALL LIABILITY FOR THE CONSEQUENCES OF SUCH USE, WHICH IN ADDITION VOIDS THE MACHINE WARRANTY.

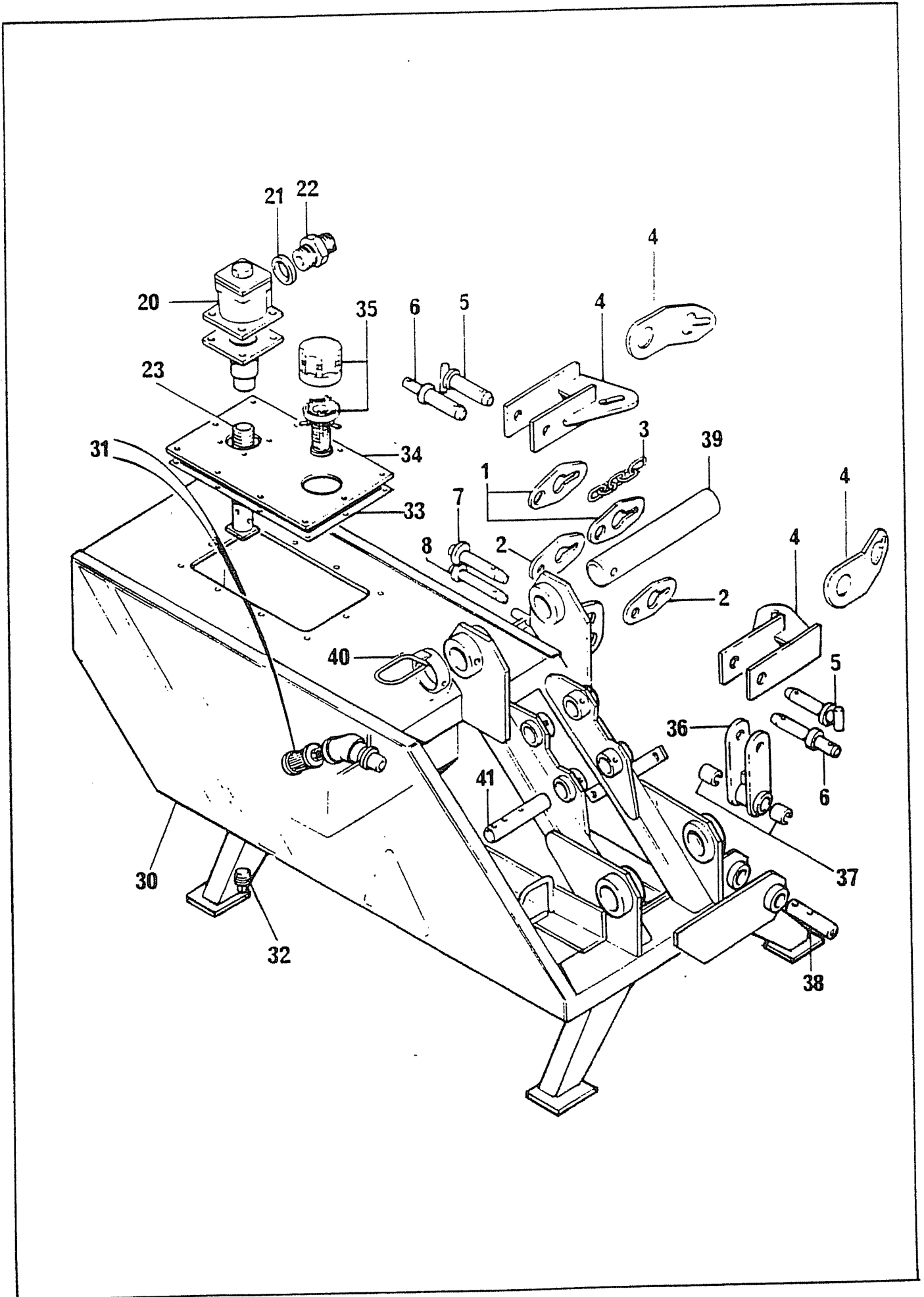
THIS MACHINE IS FOR VEGETATION CONTROL AND MUST NOT BE USED FOR ANY OTHER PURPOSE.

### IMPORTANT

IL EST POTENTIELLEMENT HASARDEUX DE MONTER OU D'UTILISER DES PIECES AUTRE QUE DES PIECES DE VERTIABLE ORIGINE BOMFORD TURNER.

LA SOCIETE SE DEGAGE DE TOUTE RESPONSABILITE DES CONSEQUENCES DE L'UTILISATION DE TELLES PIECES QUI EN PLUS ANNULE LA GARANTIE DE LA MACHINE.

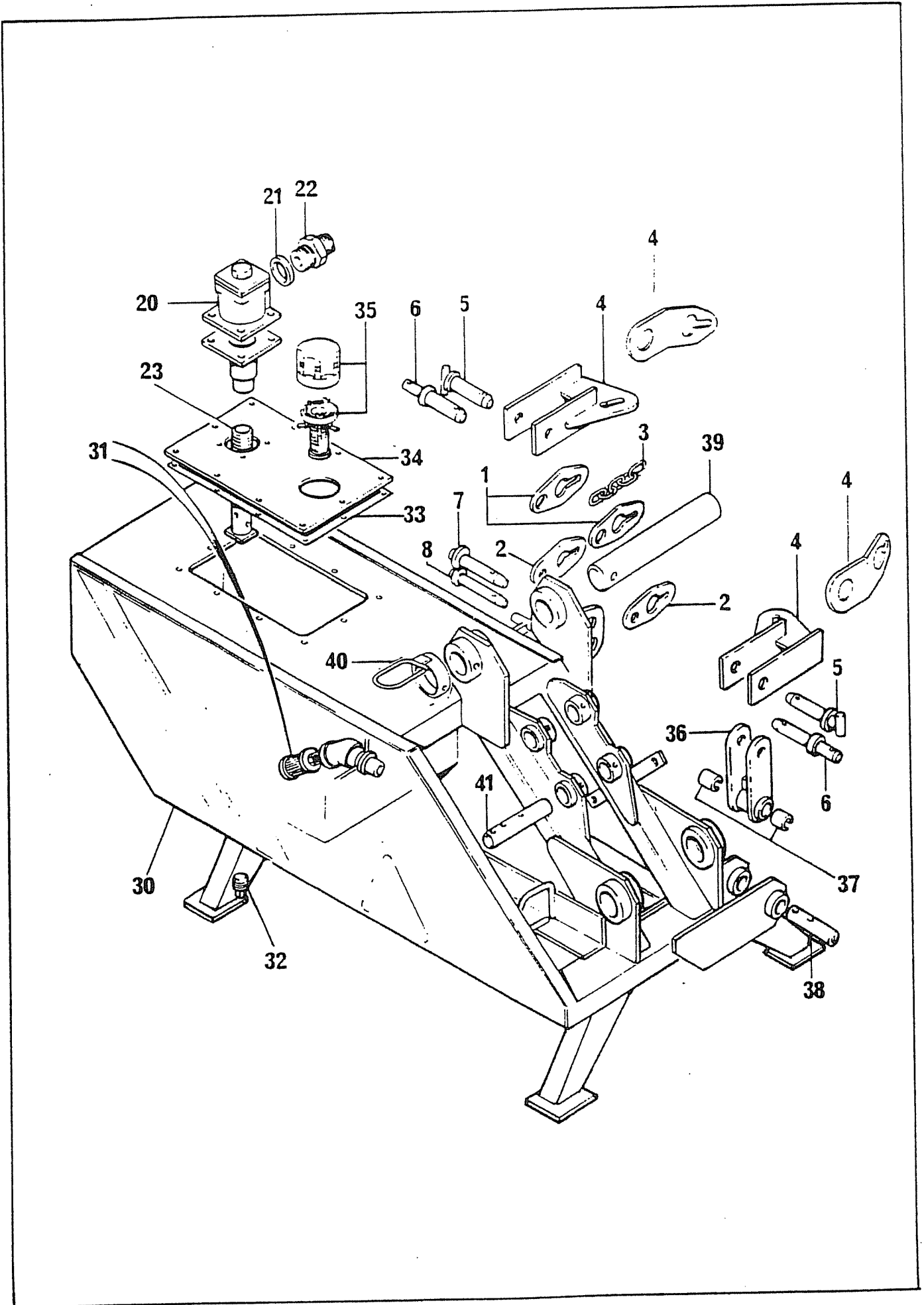
CETTE MACHINE EST CONCUE POUR LA COUPE DE LA VEGETATION ET NE DOIT PAS ETRE UTILISEE POUR D'AUTRE USAGES.



REF	PART NO.	DESCRIPTION		QTY
	72.148.01	MOUNTINGS	MONTAGE	
*01	04.023.01	PLATE )	Serial Nos. PLAQUE )	2
*02	04.023.02	PLATE )	up to 2898E PLAQUE )	2
*03	03.869.01	CHAIN )	CHAINE )	1
*04	03.867.01	BRACKET )	SUPPORT )	2
*01	09.999.01	PLATE ]	Serial Nos. PLAQUE ]	2
*02	10.100.01	PLATE ]	from 2899E PLAQUE ]	2
*03	10.105.01	CHAIN ]	CHAINE ]	1
*04	09.998.01	BRACKET ]	SUPPORT ]	2
05	00.372.01	LINCHPIN	GOUPILLE-CLIPS	2
*05	06.318.01	PIN	AXE	2
06	00.372.01	LINCHPIN	GOUPILLE-CLIPS	-
*06	05.159.01	PIN HITCH	AXE DOUBLE	-
07	00.372.01	LINCHPIN	GOUPILLE-CLIPS	1
*07	03.873.01	PIN	AXE	1
08	00.372.01	LINCHPIN	GOUPILLE-CLIPS	1
*08	03.874.01	PIN	AXE	1
	72.089.01	FILTER	FILTRE	
*20	03.824.05	FILTER BODY	CORPS DE FILTRE	1
20	03.824.07	FILTER ELEMENT	ELEMENT DE FILTRE	-
20	05.282.07	SPRING WASHER	RONDELLE RESSORT	4
20	05.839.04	SETSCREW	VIS DE BLOCAGE	4
*21	05.290.07	SEAL	JOINT	1
*22	05.434.01	ADAPTOR	RACCORD	1
*23	03.825.01	PIPE	TUYAU	1

\*MAIN PART IN GROUP, RELATED PARTS HAVE SAME REFERENCE NUMBER

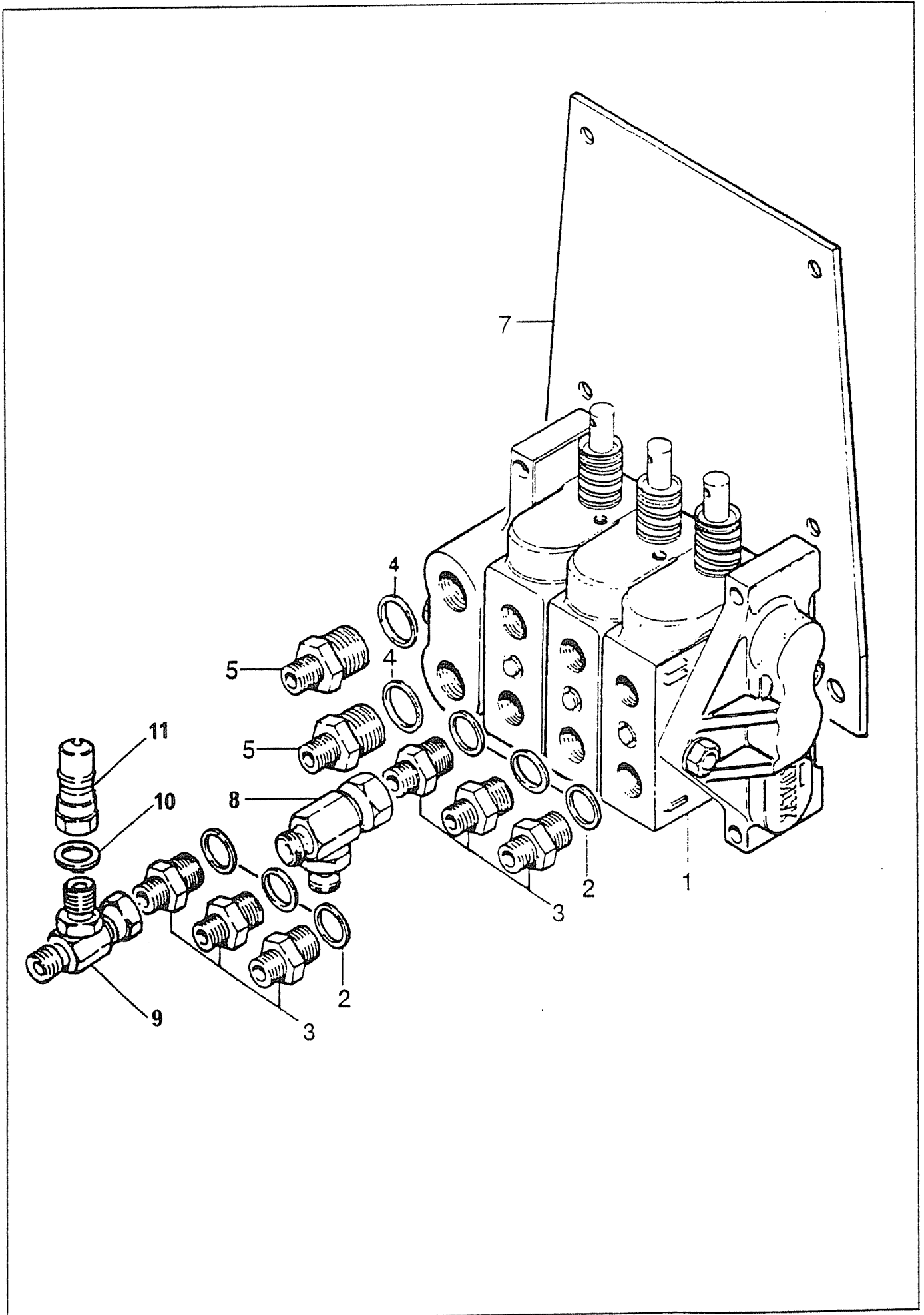
\*PIECE PRINCIPALE DE GROUP, PIECES ALLIEES PORTENT LE MEME REPERE



REF	PART NO.	DESCRIPTION		QTY
	72.149.02	MAINFRAME	BATI PRINCIPAL	
25	05.774.05	NAMEPLATE	PLAQUE CONSTRUCTEUR	1
30	02.717.02	PLUG	BOUCHON	4
30	03.231.06	RUBBER SECTION	PROFILE CAOUTCHOUC	1
30	05.227.01	SCREW	VIS	2
30	05.281.01	WASHER	RONDELLE	10
30	05.282.03	SPRING WASHER	RONDELLE RESSORT	2
30	05.286.01	NUT	ECROU	10
30	05.286.03	NUT	ECROU	2
30	05.292.23	BOLT	BOULON	2
*30	08.625.01	MAINFRAME LH) Up to	BATI PRINCIPAL GAUCHE)	1
30	08.625.02	MAINFRAME RH) 2878E	BATI PRINCIPAL DROIT )	1
30	08.625.03	MAINFRAME LH] From	BATI PRINCIPAL GAUCHE]	1
30	08.625.04	MAINFRAME RH] 2879E	BATI PRINCIPAL DROIT ]	1
*31	05.367.02	SUCTION FILTER	FILTRE ASPIRATION	1
*32	05.495.01	PLUG	BOUCHON	1
*33	08.605.01	GASKET	JOINT	1
*34	09.855.01	PLATE	PLAQUE	1
*35	06.966.02	FILLER	REMP LISSEUR	1
*36	07.516.01	LINK - Up to 2878E	BIELLE	1
*36	09.997.01	LINK - From 2879E	BIELLE	1
*37	02.771.06	BUSH	BAGUE	2
38	03.654.47	PIN	AXE	1
38	03.786.01	INSTRUCTION PLATE	PLAQUE D'INSTRUCTION	1
38	05.201.07	SPIROL PIN	GOUPILLE MECANUNDUS	1
38	05.953.01	GREASE NIPPLE	GRAISSEUR	1
*39	03.657.21	PIN	AXE	1
39	05.282.03	SPRING WASHER	RONDELLE RESSORT	1
39	05.286.03	NUT	ECROU	1
39	05.292.24	BOLT	BOULON	1
*40	08.624.01	BRACKET	SUPPORT	1
*41	03.654.44	PIN	AXE	1
41	03.786.01	INSTRUCTION PLATE	PLAQUE D'INSTRUCTION	1
41	05.201.07	SPIROL PIN	GOUPILLE MECANUNDUS	1
41	05.953.01	GREASE NIPPLE	GRAISSEUR	1

\*MAIN PART IN GROUP, RELATED PARTS HAVE SAME REFERENCE NUMBER

\*PIECE PRINCIPALE DE GROUP, PIECES ALLIEES PORTENT LE MEME REPERE

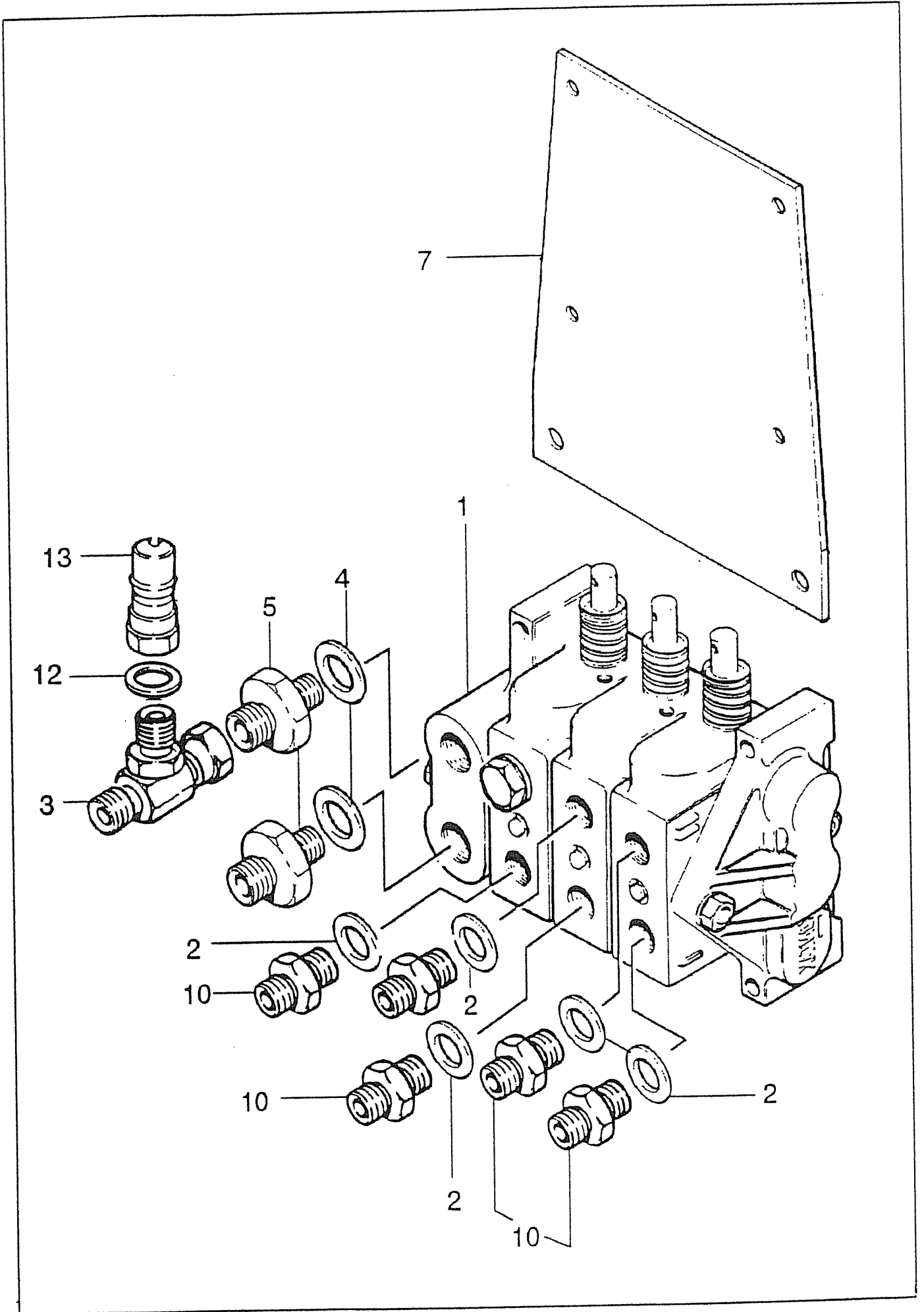




REF	PART NO.	DESCRIPTION	QTY	
	72.194.01	PARALLEL VALVE	DISTRIBUTEUR HYD.	
01	01.407.14	VALVE SLICE ASSEMBLY	ELEMENT DISTRIBUTEUR	1
01	01.407.15	COVER	COUVERCLE	-
01	01.407.20	COVER	COUVERCLE	-
01	01.407.21	COVER	COUVERCLE	-
01	03.542.01	CABLE JUNCTION	PIECE DE JONCTION	-
01	05.449.01	SEAL KIT	JEU DE JOINTS	-
01	05.625.11	CAPSCREW	VIS BOUCHON	6
*01	06.680.03	CONTROL VALVE ASSY.	ENS. DISTRIBUTEUR HYD.	1
*02	05.290.05	SEAL	JOINT	6
*03	01.099.03	ADAPTER	RACCORD	6
*04	05.290.06	SEAL	JOINT	2
*05	05.128.01	ADAPTER	RACCORD	2
07	05.282.02	SPRING WASHER	RONDELLE RESSORT	3
07	05.286.02	NUT	ECROU	3
07	05.291.18	BOLT	BOULON	1
07	05.292.11	BOLT	BOULON	2
*07	08.057.01	PLATE	PLAQUE	1
08	04.056.10	ADAPTER	RACCORD	1
*09	04.056.16	ADAPTER	RACCORD	1
*10	05.290.02	SEAL	JOINT	1
*11	05.146.12	QUICK RELEASE	ATTACHE RAPIDE	1

\*MAIN PART IN GROUP, RELATED PARTS HAVE SAME REFERENCE NUMBER

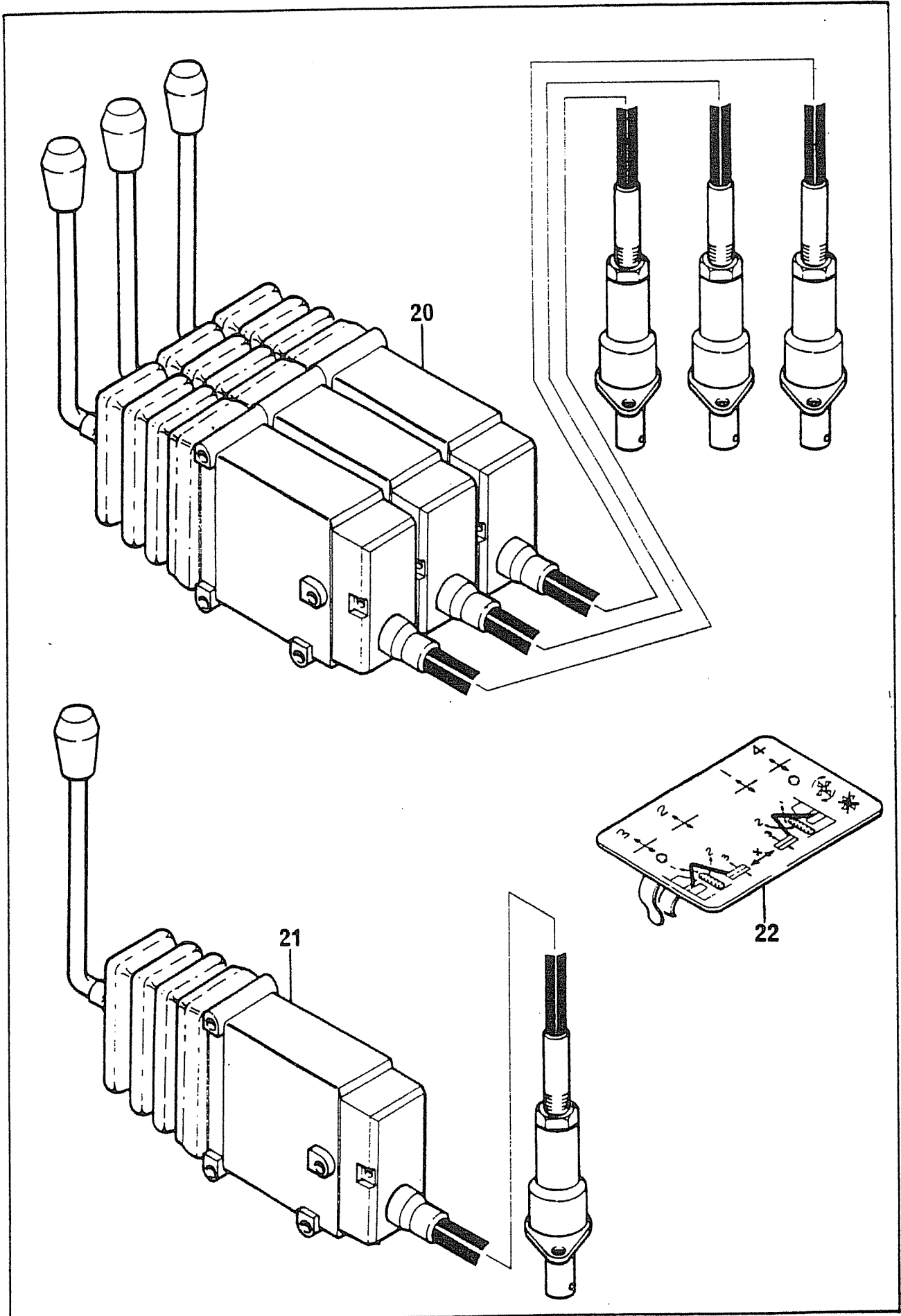
\*PIECE PRINCIPALE DE GROUP, PIECES ALLIEES PORTENT LE MEME REPERE



REF	PART NO.	DESCRIPTION	QTY
	72.116.02	VALVE ASSY	DISTRIBUTEUR (CABLE)
01	01.407.14	VALVE SLICE ASSEMBLY	ELEMENT DISTRIBUTEUR
01	01.407.15	COVER	COUVERCLE
01	01.407.20	COVER	COUVERCLE
01	01.407.21	COVER	COUVERCLE
01	01.407.26	VALVE SLICE ASSEMBLY	ELEMENT DISTRIBUTEUR
01	01.407.60	RELIEF VALVE	VALVE DE SECURITE
*01	01.407.61	CONTROL VALVE ASSY.	ENS. DISTRIBUTEUR HYD.
01	03.542.01	CABLE JUNCTION	PIECE DE JONCTION
01	05.449.01	SEAL KIT	JEU DE JOINTS
01	05.625.11	CAPSCREW	VIS BOUCHON
*02	05.290.05	SEAL	JOINT
*03	04.056.16	ADAPTER	RACCORD
*04	05.290.06	SEAL	JOINT
*05	05.128.01	ADAPTER	RACCORD
07	05.282.02	SPRING WASHER	RONDELLE RESSORT
07	05.286.02	NUT	ECROU
07	05.291.18	BOLT	BOULON
*07	08.057.01	PLATE	PLAQUE
*10	01.099.03	ADAPTER	RACCORD
*12	05.290.02	SEAL	JOINT
*13	05.146.12	QUICK RELEASE	ATTACHE RAPIDE

\*MAIN PART IN GROUP, RELATED PARTS HAVE SAME REFERENCE NUMBER

\*PIECE PRINCIPALE DE GROUP, PIECES ALLIEES PORTENT LE MEME REPERE

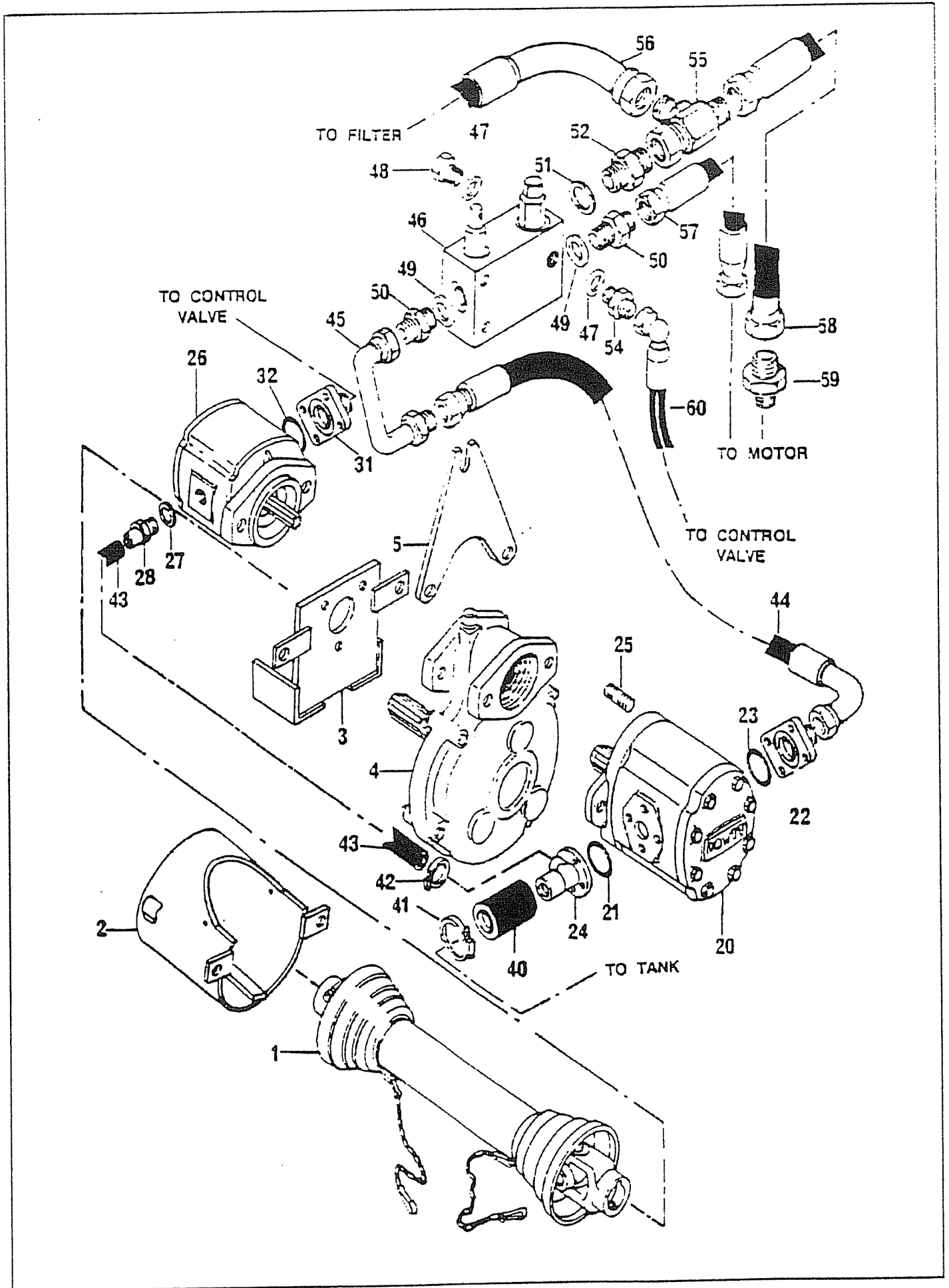


REF	PART NO.	DESCRIPTION	QTY
	71.005.03	FOR TWIN PUMP	
		POUR DOUBLE POMPE	
*20	04.265.05	REMOTE CONTROL ASSY	3
20	04.265.07	CABLE ASSEMBLY	-
20	04.265.08	LEVER	-
20	04.265.11	BUSH	-
20	04.265.19	COVER	-
20	04.265.24	LEVER	-
20	04.265.28	PIN	-
20	05.281.01	WASHER	6
20	05.948.07	WING NUT	2
21	04.265.08	LEVER	-
21	04.265.11	BUSH	-
21	04.265.19	COVER	-
21	04.265.28	PIN	-
21	04.265.33	CABLE ASSEMBLY	-
*21	04.265.35	REMOTE CONTROL ASSY	1
21	04.265.53	LEVER	-
21	04.282.01	STUD	3
21	05.286.01	NUT	3
*22	03.541.17	INSTRUCTION PLATE	1
	71.237.02	SINGLE PUMP	
		POUR SIMPLE POMPE	
*20	04.265.05	REMOTE CONTROL ASSY	3
20	04.265.25	BOLT	3
20	05.281.01	WASHER	6
20	05.948.07	WING NUT	2
20	05.286.01	NUT	1
20	04.265.07	CABLE ASSEMBLY	-
20	04.265.08	LEVER	-
20	04.265.11	BUSH	-
20	04.265.19	COVER	-
20	04.265.24	LEVER	-
20	04.265.28	PIN	-
*21	03.541.06	INSTRUCTION PLATE	1

\*MAIN PART IN GROUP, RELATED PARTS HAVE SAME REFERENCE NUMBER

\*PIECE PRINCIPALE DE GROUP, PIECES ALLIEES PORTENT LE MEME REPERE

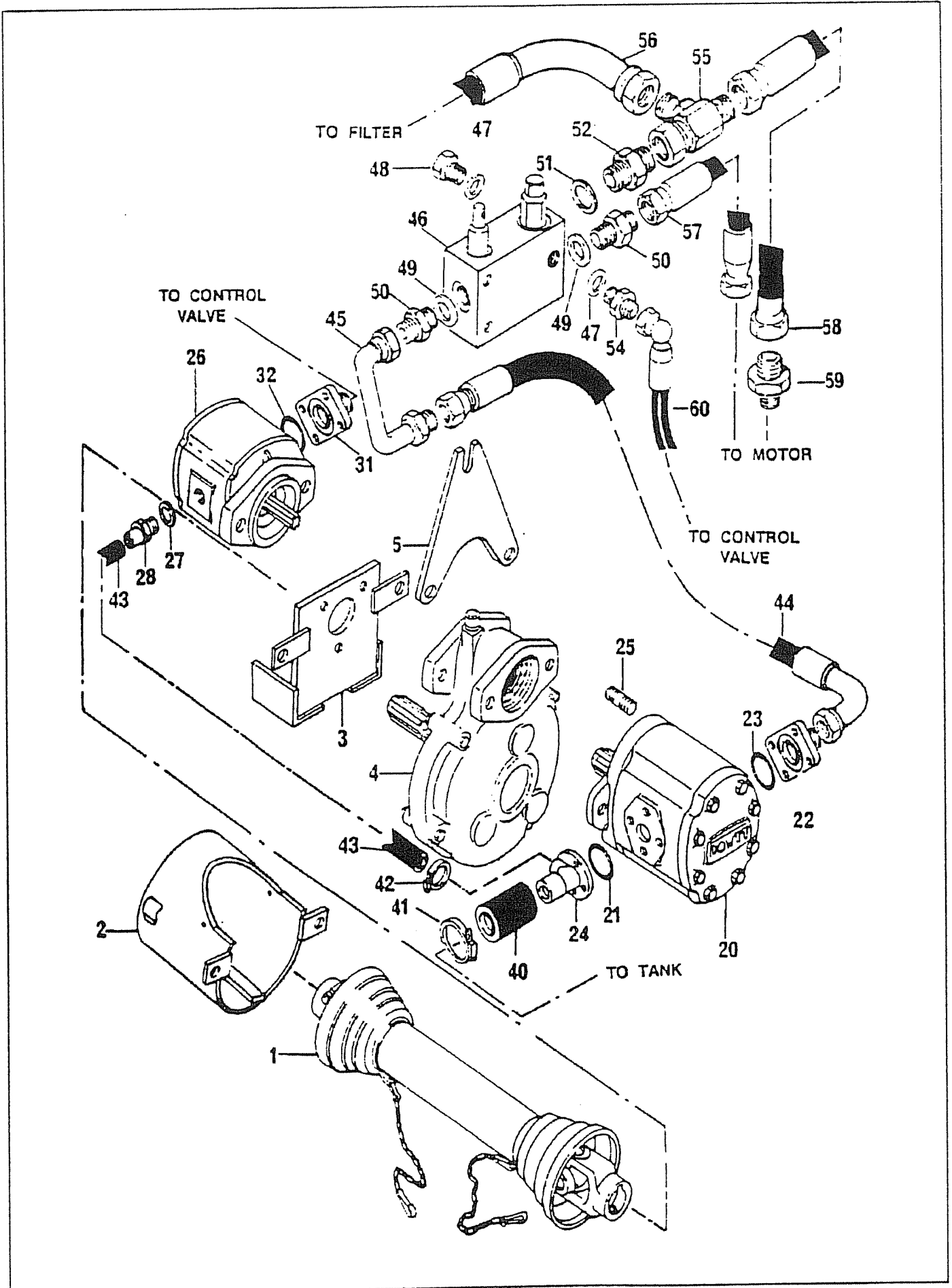
GEARBOX, PUMP - MULTIPLICATEUR/POMPE  
(Twin Pump) (Double pompe)



REF	PART NO.	DESCRIPTION		QTY
	72.036.02	GEARBOX	MULTIPLICATEUR	
01	05.286.03	NUT	ECROU	1
01	04.043.02	SERVICE KIT	KIT ENTRETIEN	-
01	04.043.03	PTO GUARD	PROTECTEUR PTO	-
*01	04.043.20	PTO ASSEMBLY	ENSEMBLE PTO	1
02	05.264.02	SETSCREW	VIS DE BLOCAGE	2
02	05.282.01	SPRING WASHER	RONDELLE RESSORT	2
02	05.286.01	NUT	ECROU	2
*02	06.170.01	PTO GUARD	PROTECTEUR PTO	1
03	05.264.23	SETSCREW	VIS DE BLOCAGE	3
03	05.264.24	SETSCREW	VIS DE BLOCAGE	2
03	05.282.03	SPRING WASHER	RONDELLE RESSORT	3
03	05.286.03	NUT	ECROU	2
*03	07.931.01	BRACKET )	SUPPORT	1
04	03.840.02	SEAL ) Up to 1903E	JOINT	-
*04	03.840.37	GEARBOX )	MULTIPLICATEUR	1
*03	09.889.01	BRACKET ]	SUPPORT	1
04	09.828.15	SEAL ] From 1904E	JOINT	-
*04	09.828.01	GEARBOX ]	MULTIPLICATEUR	1
05	05.264.24	SETSCREW	VIS DE BLOCAGE	1
05	05.281.03	WASHER	RONDELLE	2
05	05.282.02	SPRING WASHER	RONDELLE RESSORT	2
05	05.286.02	NUT	ECROU	1
05	05.291.15	BOLT	BOULON	2
*05	06.157.03	STAY	SUPPORT	1
	72.033.02	PUMPS	POMPES	
20	01.071.13	KEY - Up to 1903E	CLAVETTE	-
20	05.642.02	SEAL KIT	JEU DE JOINTS	-
*20	05.650.02	HYD PUMP - Up to 1903E -	POMPE HYDRAULIQUE	1
*20	05.650.03	HYD PUMP - From 1904E -	POMPE HYDRAULIQUE	1
*21	05.656.01	O RING	JOINT TORIQUE	1
*22	03.864.01	ADAPTOR	RACCORD	1
22	05.657.01	CAPSCREW	VIS BOUCHON	4
*23	05.656.03	O RING	JOINT TORIQUE	1
24	05.657.01	CAPSCREW	VIS BOUCHON	4
*24	06.251.01	ADAPTOR	RACCORD	1
*25	03.100.01	STUD	GOUJON	2
25	05.286.02	NUT	ECROU	2
26	04.002.02	SEAL KIT) Up to 1903E	JEU DE JOINTS	-
*26	04.002.17	HYD PUMP)	POMPE HYDRAULIQUE	1
26	09.537.03	SEAL KIT] From 1904E	JEU DE JOINTS	-
*26	09.537.01	HYD PUMP]	POMPE HYDRAULIQUE	1
27	05.290.05	SEAL	JOINT	-
*28	04.244.01	ADAPTOR	RACCORD	1
*29	05.290.05	SEAL ) Up to 1903E	JOINT	1
*30	05.123.01	ADAPTOR )	RACCORD	1
*31	09.745.01	ADAPTOR	RACCORD	1
31	05.657.01	CAPSCREW	VIS BOUCHON	4
*32	30.210.92	O RING	JOINT TORIQUE	1

\*MAIN PART IN GROUP, RELATED PARTS HAVE SAME REFERENCE NUMBER

\*PIECE PRINCIPALE DE GROUP, PIECES ALLIEES PORTENT LE MEME REPERE

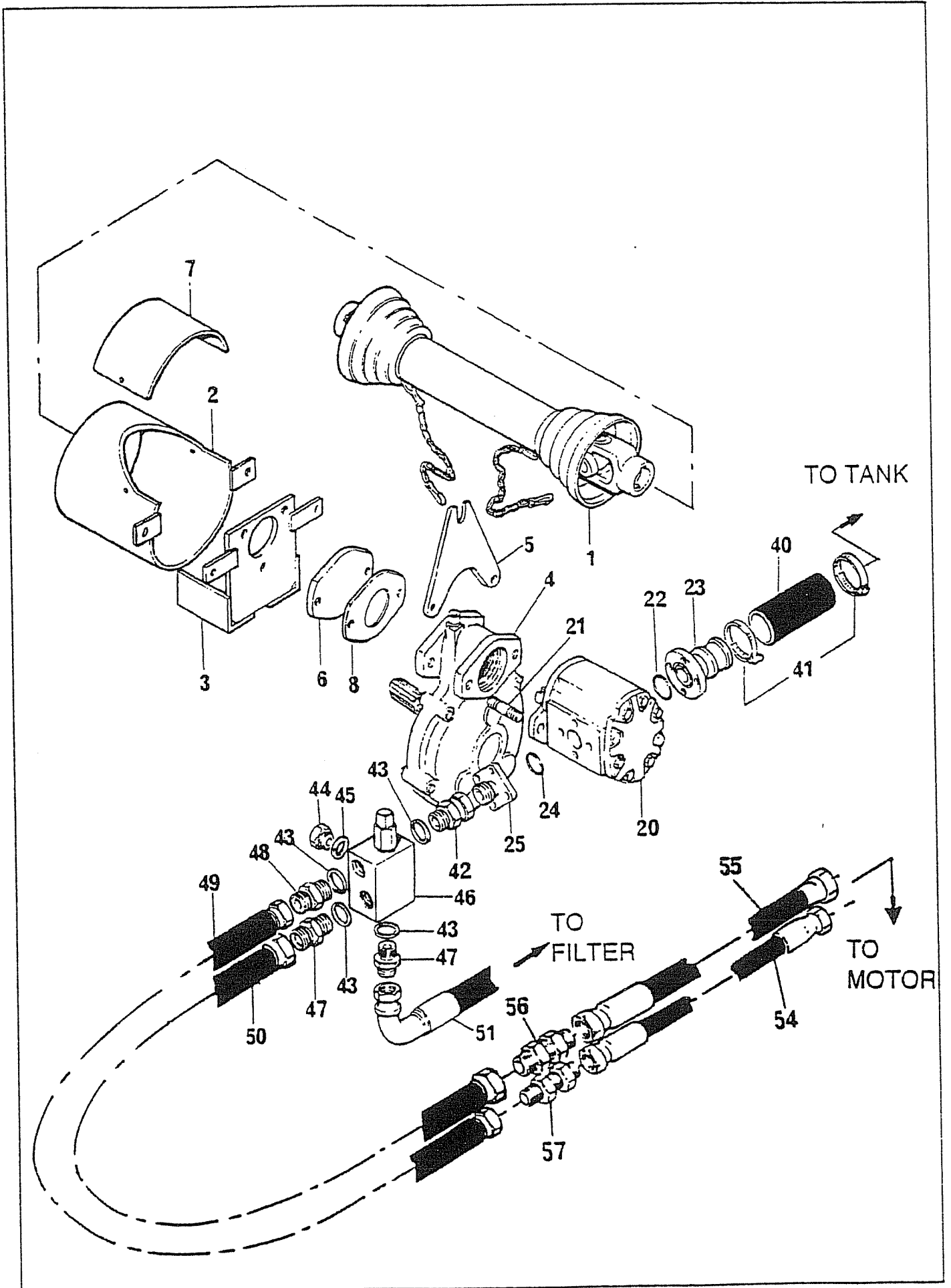




REF	PART NO.	DESCRIPTION	QTY
	72.145.02	PUMP CIRCUIT	CIRCUIT POMPE
40	05.625.11	CAPSCREW	VIS BOUCHON 2
40	05.835.01	ADAPTER	RACCORD 1
*40	06.288.01	HOSE ASSEMBLY	ENSEMBLE FLEXIBLE 1
*41	05.863.02	CLIP	COLLIER 2
*42	05.863.03	CLIP	COLLIER 2
*43	05.983.09	HOSE ASSEMBLY	ENSEMBLE FLEXIBLE 1
*44	10.010.22	HOSE	FLEXIBLE 1
*45	06.459.03	PIPE	TUYAU 1
46	05.281.01	WASHER	RONDELLE 2
46	05.282.01	SPRING WASHER	RONDELLE RESSORT 2
46	05.291.07	BOLT	BOULON 2
46	06.284.02	SEAL KIT	JEU DE JOINTS -
*46	06.284.11	RELIEF VALVE	VALVE DE SECURITE 1
46	06.299.05	CARTRIDGE	CARTOUCHE -
*47	05.117.01	WASHER	RONDELLE 1
*48	05.433.01	PLUG	BOUCHON 1
*49	05.290.06	SEAL	JOINT 2
*50	05.377.01	ADAPTER	RACCORD 2
*51	05.290.07	SEAL	JOINT 1
*52	05.434.01	ADAPTER	RACCORD 1
*53	05.290.04	SEAL	JOINT 1
*54	05.124.01	ADAPTER	RACCORD 1
*55	04.056.02	ADAPTER	RACCORD 1
*56	10.012.10	HOSE	FLEXIBLE 1
*57	10.010.68	HOSE	FLEXIBLE 1
*58	10.012.70	HOSE	FLEXIBLE 1
*59	05.373.01	ADAPTER	RACCORD 1
*60	10.004.14	HOSE	FLEXIBLE 1
*61	04.282.09	STUD	GOUJON 1
61	05.281.02	WASHER	RONDELLE 1
61	05.282.02	SPRING WASHER	RONDELLE RESSORT 1
61	05.286.02	NUT	ECROU 2
61	06.430.10	CLAMP, HOSE	BRIDE 2
62	06.418.05	CLAMP	PLAQUE 1
*62	08.128.03	ADAPTER	RACCORD 1
*63	08.128.08	ADAPTER	RACCORD 1
*64	10.009.33	HOSE	FLEXIBLE 1
*65	10.011.33	HOSE	FLEXIBLE 1

\*MAIN PART IN GROUP, RELATED PARTS HAVE SAME REFERENCE NUMBER

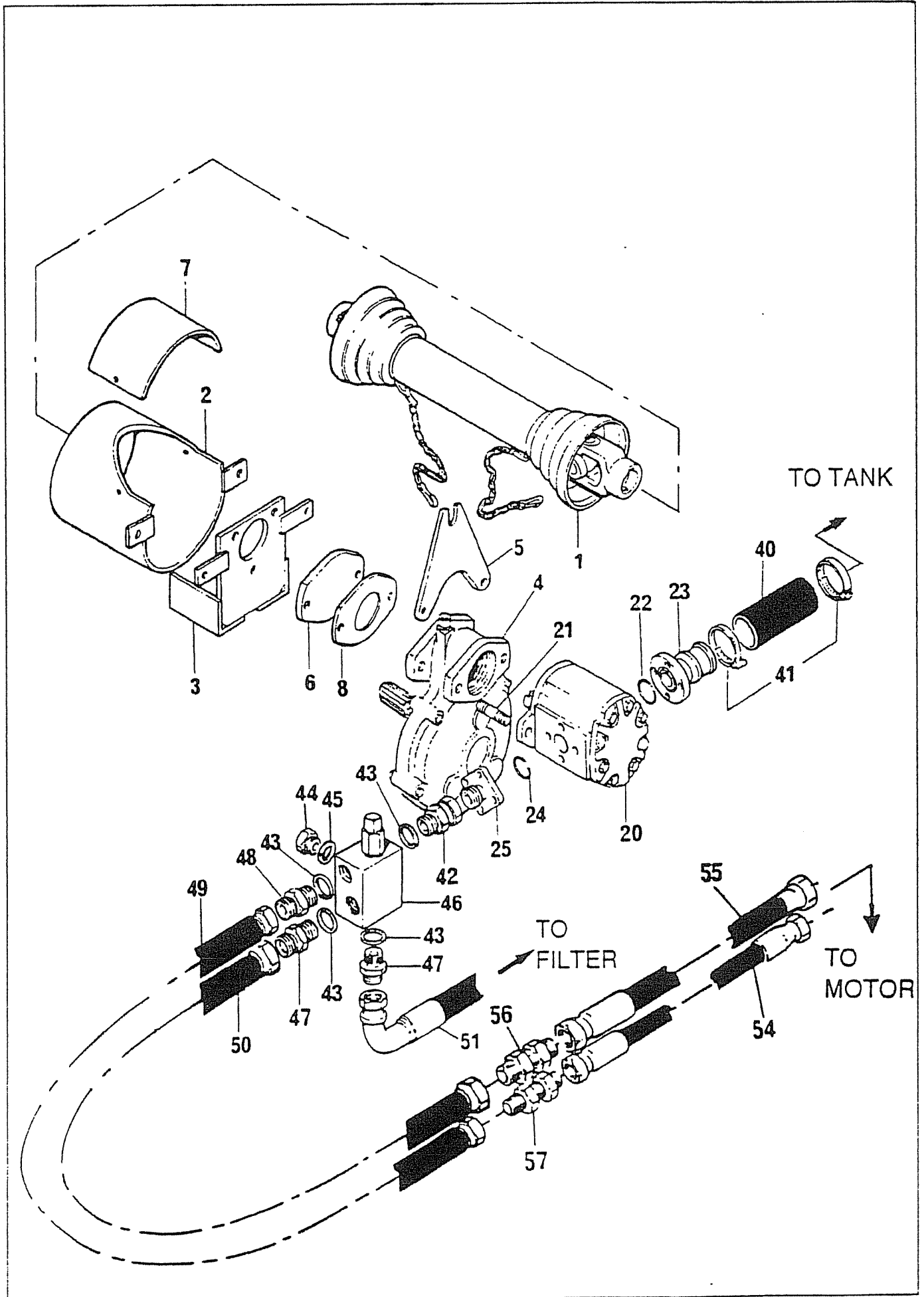
\*PIECE PRINCIPALE DE GROUP, PIECES ALLIEES PORTENT LE MEME REPERE



REF	PART NO.	DESCRIPTION	QTY
	72.197.01	GEARBOX	MULTIPLICATEUR
01	04.043.02	SERVICE KIT	KIT ENTRETIEN
01	04.043.03	PTO GUARD	PROTECTEUR PTO
*01	04.043.20	PTO ASSEMBLY	ENSEMBLE PTO
02	05.264.02	SETSCREW	VIS DE BLOCAGE
02	05.282.01	SPRING WASHER	RONDELLE RESSORT
02	05.286.01	NUT	ECROU
03	05.264.23	SETSCREW	VIS DE BLOCAGE
03	05.264.24	SETSCREW	VIS DE BLOCAGE
03	05.282.03	SPRING WASHER	RONDELLE RESSORT
03	05.286.03	NUT	ECROU
*03	07.931.01	BRACKET )	SUPPORT
04	03.840.02	SEAL ) UP TO 1903E	JOINT
*04	03.840.37	GEARBOX )	MULTIPLICATEUR
*03	09.889.01	BRACKET )	SUPPORT
04	09.828.15	SEAL ) FROM 1904E	JOINT
*04	09.828.01	GEARBOX )	MULTIPLICATEUR
04	04.063.01	COVER	COUVERCLE
*05	06.157.03	STAY ) UP TO 1903E	SUPPORT
*05	09.890.01	STAY ) FROM 1904E	SUPPORT
05	05.264.24	SETSCREW	VIS DE BLOCAGE
05	05.281.03	WASHER	RONDELLE
05	05.282.02	SPRING WASHER	RONDELLE RESSORT
05	05.286.02	NUT	ECROU
05	05.287.03	SELF LOCKING NUT	ECROU FREIN
05	05.291.13	BOLT	BOULON
*06	04.182.01	BLANKING PLATE	COUVERCLE OBTUR
07	05.969.01	SELF TAP SCREW	VIS AUTOTARAUD
*07	06.170.01	PTO GUARD	PROTECTEUR PTO
*08	07.167.01	GASKET	JOINT
	71.239.02	PUMP	POMPE
20	01.071.13	KEY - UP TO 1903E -	CLAVETTE
20	05.642.02	SEAL KIT	JEU DE JOINTS
*20	05.650.02	HYD PUMP - UP TO 1903E -	POMPE HYDRAULIQUE
*20	05.650.03	HYD PUMP - FROM 1904E -	POMPE HYDRAULIQUE
20	05.656.01	O RING	JOINT TORIQUE
*21	03.100.01	STUD	GOUJON
21	05.282.02	SPRING WASHER	RONDELLE RESSORT
21	05.286.02	NUT	ECROU
*23	03.050.02	ADAPTOR	RACCORD
23	05.657.01	CAPSCREW	VIS BOUCHON
*24	05.656.03	O RING	JOINT TORIQUE
*25	03.864.01	ADAPTOR	RACCORD
25	05.657.01	CAPSCREW	VIS BOUCHON

\*MAIN PART IN GROUP, RELATED PARTS HAVE SAME REFERENCE NUMBER

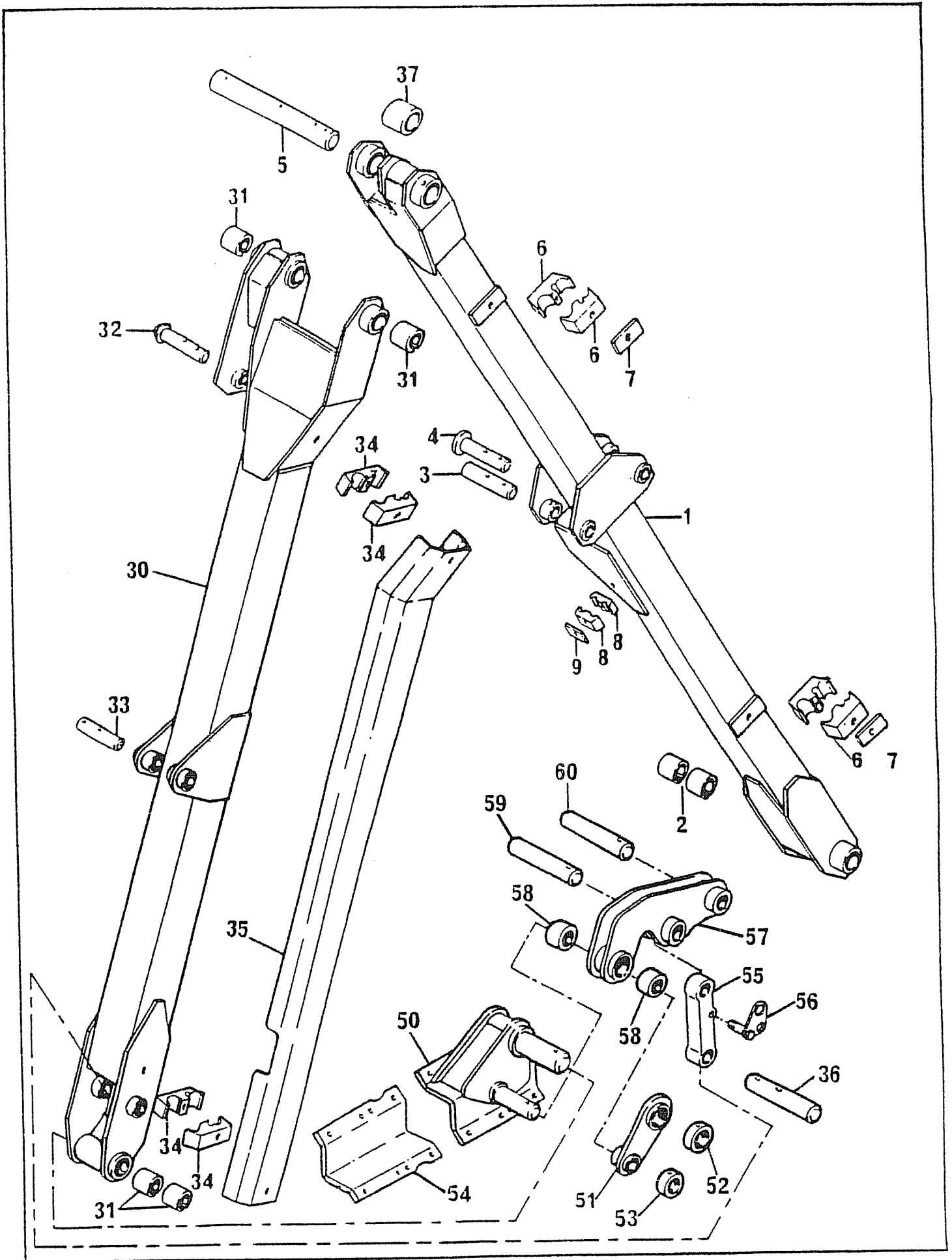
\*PIECE PRINCIPALE DE GROUP, PIECES ALLIEES PORTENT LE MEME REPERE



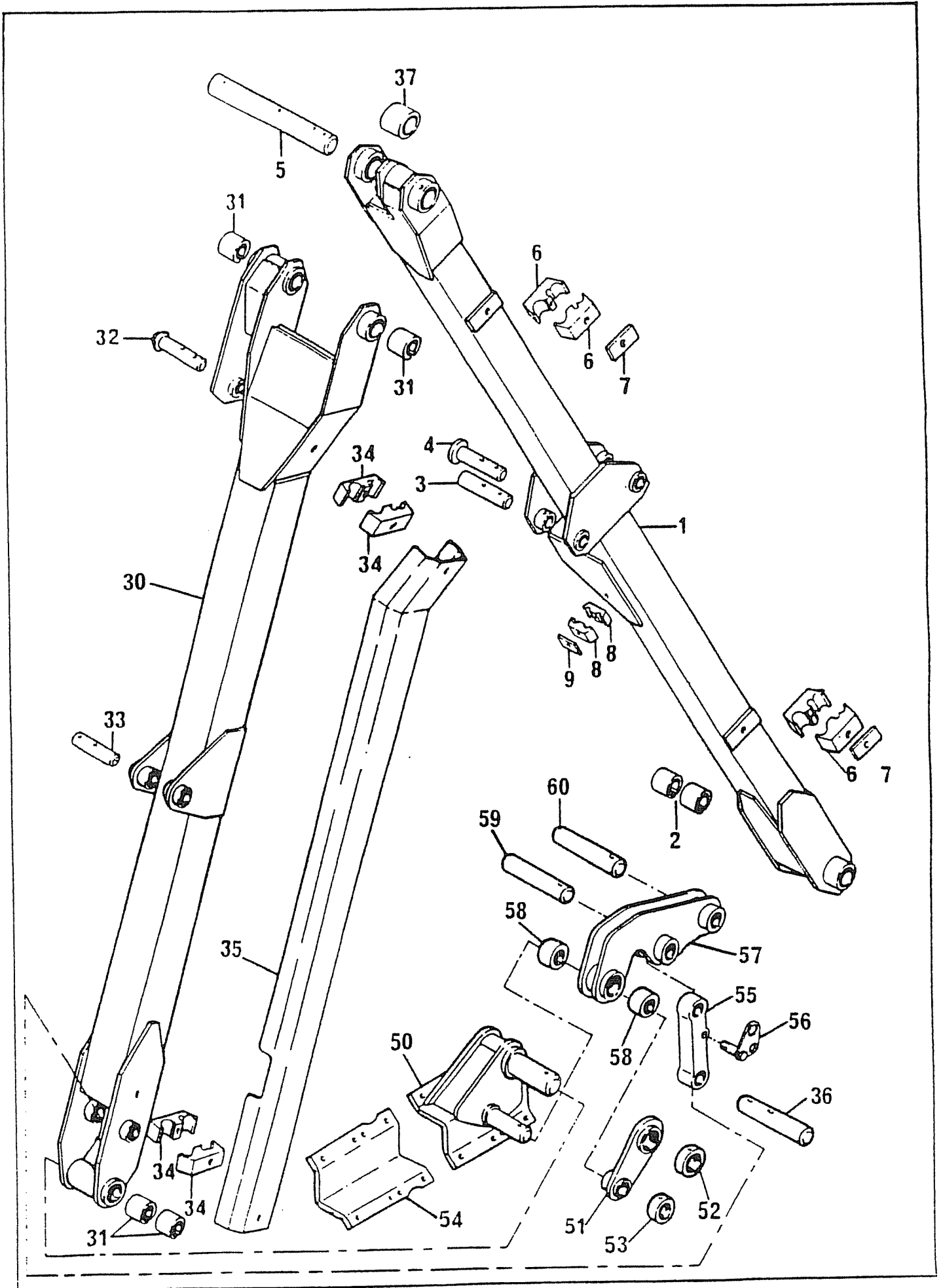
REF	PART NO.	DESCRIPTION		QTY
	72.198.02	PUMP CIRCUIT	CIRCUIT POMPE	
*40	06.288.01	HOSE ASSEMBLY	ENSEMBLE FLEXIBLE	1
*41	05.863.02	CLIP	COLLIER	2
*42	03.858.01	ADAPTER	RACCORD	1
*43	05.290.06	SEAL	JOINT	1
*44	05.433.01	PLUG	BOUCHON	1
*45	05.117.01	WASHER	RONDELLE	1
46	03.419.06	CARTRIDGE	CARTOUCHE	-
46	03.862.02	SEAL KIT	JEU DE JOINTS	-
*46	03.862.06	RELIEF VALVE	VALVE DE SECURITE	1
*47	05.373.01	ADAPTER	RACCORD	3
*48	05.377.01	ADAPTER	RACCORD	1
*49	10.010.59	HOSE	FLEXIBLE	1
*50	10.012.61	HOSE	FLEXIBLE	1
*51	10.012.26	HOSE	FLEXIBLE	1
*52	08.128.03	ADAPTER	RACCORD	1
*53	08.128.08	ADAPTER	RACCORD	1
*54	10.009.33	HOSE	FLEXIBLE	1
*55	10.011.33	HOSE	FLEXIBLE	1
*56	04.282.09	STUD	GOUJON	1
56	05.281.02	WASHER	RONDELLE	1
56	05.282.02	SPRING WASHER	RONDELLE RESSORT	1
56	05.286.02	NUT	ECROU	2
56	06.430.10	CLAMP, HOSE	BRIDE	2
57	06.418.05	CLAMP	PLAQUE	1

\*MAIN PART IN GROUP, RELATED PARTS HAVE SAME REFERENCE NUMBER

\*PIECE PRINCIPALE DE GROUP, PIECES ALLIEES PORTENT LE MEME REPERE



REF	PART NO.	DESCRIPTION	QTY
	72.030.03	FIRST ARM	PREMIER BRAS
01	03.786.02	INSTRUCTION PLATE	PLAQUE D'INSTRUCTION
01	05.953.04	GREASE NIPPLE	GRAISSEUR
*01	09.454.01	ARM	BRAS
*02	08.297.01	BUSH	BAGUE
*03	03.654.43	PIN	AXE
03	03.786.01	INSTRUCTION PLATE	PLAQUE D'INSTRUCTION
03	05.201.07	SPIROL PIN	GOUPILLE MECANUNDUS
03	05.953.01	GREASE NIPPLE	GRAISSEUR
*04	03.653.31	PIN	AXE
04	03.786.01	INSTRUCTION PLATE	PLAQUE D'INSTRUCTION
04	05.201.07	SPIROL PIN	GOUPILLE MECANUNDUS
04	05.953.01	GREASE NIPPLE	GRAISSEUR
05	03.068.01	SETSCREW	VIS DE BLOCAGE
*05	03.656.39	PIN	AXE
05	03.786.01	INSTRUCTION PLATE	PLAQUE D'INSTRUCTION
05	05.282.03	SPRING WASHER	RONDELLE RESSORT
05	05.286.02	NUT	ECROU
05	05.292.11	BOLT	BOULON
05	05.953.01	GREASE NIPPLE	GRAISSEUR
05	07.942.01	WASHER	RONDELLE
*06	04.282.09	STUD	GOUJON
06	05.281.02	WASHER	RONDELLE
06	05.282.02	SPRING WASHER	RONDELLE RESSORT
06	05.282.02	SPRING WASHER	RONDELLE RESSORT
06	05.286.02	NUT	ECROU
06	06.430.10	CLAMP, HOSE	BRIDE
*07	07.876.01	COVER	COUVERCLE
08	04.282.66	STUD	GOUJON
08	05.281.02	WASHER	RONDELLE
08	05.282.02	SPRING WASHER	RONDELLE RESSORT
*08	05.286.02	NUT	ECROU
08	06.430.02	CLAMP, HOSE	BRIDE
*09	06.418.06	CLAMP	PLAQUE
	72.151.03	SECOND ARM	2EME BRAS
30	03.786.02	INSTRUCTION PLATE	PLAQUE D'INSTRUCTION
30	05.953.04	GREASE NIPPLE	GRAISSEUR
*30	09.782.01	ARM LH	BRAS GAUCHE
*30	09.782.02	ARM RH	BRAS DROIT
*31	08.297.02	BUSH	BAGUE
*32	03.653.39	PIN	AXE
32	03.786.01	INSTRUCTION PLATE	PLAQUE D'INSTRUCTION
32	05.201.07	SPIROL PIN	GOUPILLE MECANUNDUS
32	05.953.01	GREASE NIPPLE	GRAISSEUR
*33	03.653.58	PIN	AXE
33	05.201.07	SPIROL PIN	GOUPILLE MECANUNDUS
34	04.282.09	STUD	GOUJON
34	05.281.02	WASHER	RONDELLE
34	05.282.02	SPRING WASHER	RONDELLE RESSORT
34	05.286.02	NUT	ECROU
*34	06.430.10	CLAMP, HOSE	BRIDE
*35	09.792.01	GUARD	PROTECTEUR
*36	03.654.60	PIN	AXE
36	05.201.07	SPIROL PIN	GOUPILLE MECANUNDUS

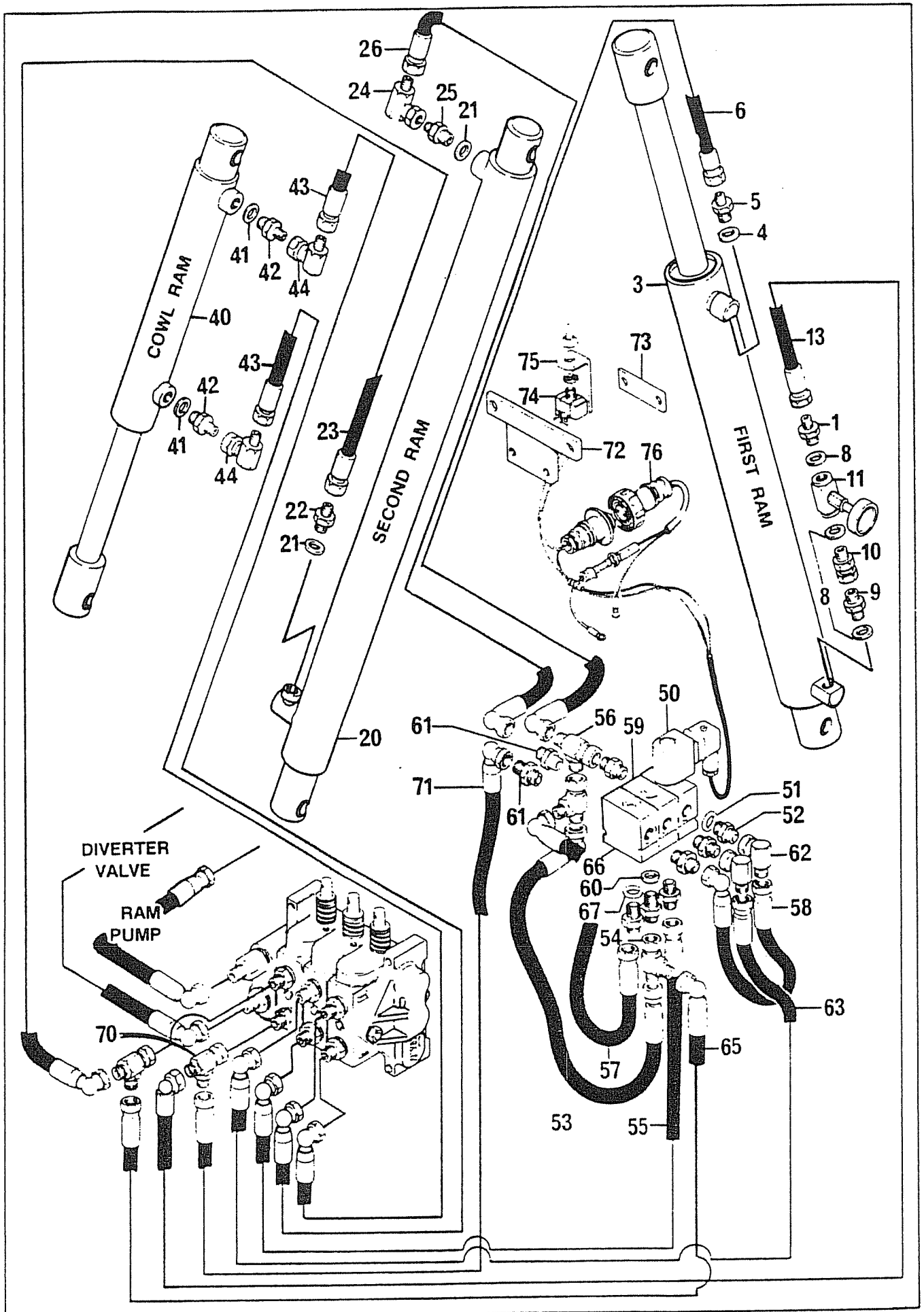




REF	PART NO.	DESCRIPTION	QTY
	72.822.01	COWL BRACKET	SUPPORT ROTOR
*50	09.784.01	BRACKET LH	SUPPORT GAUCHE
50	09.784.02	BRACKET RH	SUPPORT DROIT
*51	09.783.01	BRACKET	SUPPORT
*52	03.837.01	SPACER	ENTRETOISE
52	05.282.02	SPRING WASHER	RONDELLE RESSORT
52	05.287.02	SELF LOCKING NUT	ECROU FREIN
52	05.291.19	BOLT	BOULON
53	05.287.02	SELF LOCKING NUT	ECROU FREIN
53	05.291.18	BOLT	BOULON
*53	09.795.01	COLLAR	ENTRETOISE
54	05.264.25	SETSCREW	VIS DE BLOCAGE
54	05.282.03	SPRING WASHER	RONDELLE RESSORT
54	05.286.03	NUT	ECROU
*54	07.947.01	BRACKET	SUPPORT
55	03.786.01	INSTRUCTION PLATE	PLAQUE D'INSTRUCTION
55	05.953.01	GREASE NIPPLE	GRAISSEUR
55	05.953.05	GREASE NIPPLE	GRAISSEUR
*55	09.786.01	LINK	BIELLE
56	05.282.04	SPRING WASHER	RONDELLE RESSORT
56	05.286.04	NUT	ECROU
*56	09.794.01	BRACKET	SUPPORT
57	03.786.02	INSTRUCTION PLATE	PLAQUE D'INSTRUCTION
57	05.953.03	GREASE NIPPLE	GRAISSEUR
*57	09.785.01	BRACKET	SUPPORT
*58	08.297.05	BUSH	BAGUE
*59	03.654.59	PIN	AXE
59	05.201.07	SPIROL PIN	GOUPILLE MECANUNDUS
*60	03.653.59	PIN	AXE
60	05.201.07	SPIROL PIN	GOUPILLE MECANUNDUS

\*MAIN PART IN GROUP, RELATED PARTS HAVE SAME REFERENCE NUMBER

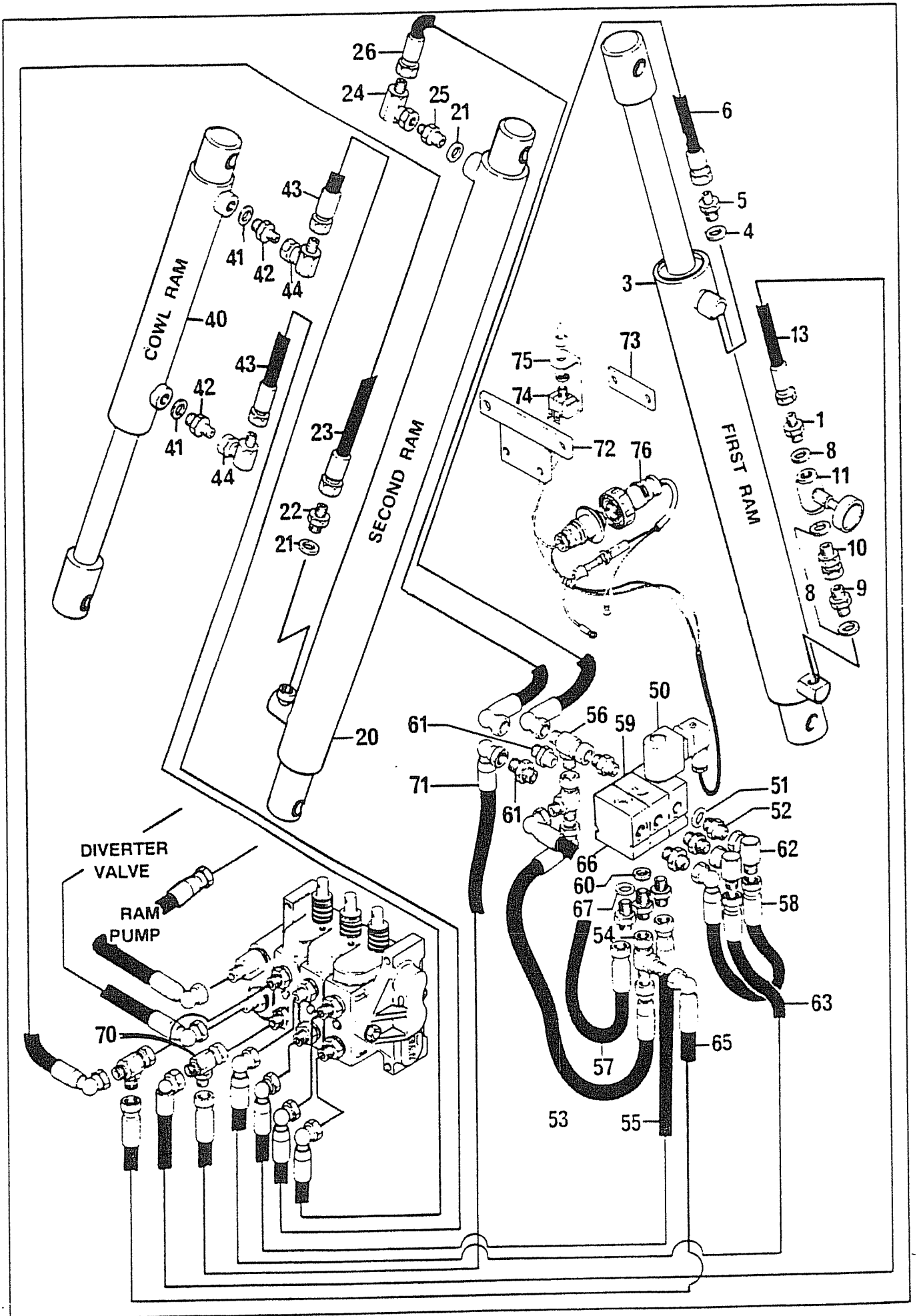
\*PIECE PRINCIPALE DE GROUP, PIECES ALLIEES PORTENT LE MEME REPERE



REF	PART NO.	DESCRIPTION	QTY
	72.146.01	FIRST RAM	PREMIER VERIN
*01	10.004.18	HOSE	FLEXIBLE 1
*02	10.004.12	HOSE	FLEXIBLE 1
*03	07.831.01	RAM ASSEMBLY	1er VERIN 1
03	07.831.02	SEAL KIT	JEU DE JOINTS 1
*04	05.290.04	SEAL	JOINT 1
*06	10.002.34	HOSE	FLEXIBLE 1
*07	04.056.04	ADAPTER	RACCORD 1
*08	05.290.04	SEAL	JOINT 3
*09	03.028.15	RESTRICTOR	LIMITEUR DE DEBIT 1
*10	02.714.01	ADAPTER	RACCORD 1
*11	08.200.01	VALVE	VANNE 1
*12	01.099.01	ADAPTER	RACCORD 1
*13	10.002.34	HOSE	FLEXIBLE 1
	72.147.01	SECOND RAM	SECOND VERIN
20	04.156.13	SEAL KIT	JEU DE JOINTS -
*20	04.156.38	RAM ASSEMBLY	2ème VERIN 1
*21	05.290.04	SEAL	JOINT 2
*22	01.099.01	ADAPTER	RACCORD 1
*23	10.002.43	HOSE	FLEXIBLE 1
*25	03.028.12	RESTRICTOR	LIMITEUR DE DEBIT 1
*26	10.002.37	HOSE	FLEXIBLE 1
	72.144.02	COWL RAM	VERIN DU ROTOR
40	04.156.13	SEAL KIT	JEU DE JOINTS -
*40	04.156.24	RAM ASSEMBLY	3ème VERIN 1
40	10.002.63	HOSE	FLEXIBLE 2
40	05.595.01	GREASE NIPPLE	GRAISSEUR 2
*41	05.290.04	SEAL	JOINT 2
*42	03.028.08	RESTRICTOR	LIMITEUR DE DEBIT 2
*44	05.835.04	ADAPTER	RACCORD 1

\*MAIN PART IN GROUP, RELATED PARTS HAVE SAME REFERENCE NUMBER

\*PIECE PRINCIPALE DE GROUP, PIECES ALLIEES PORTENT LE MEME REPERE

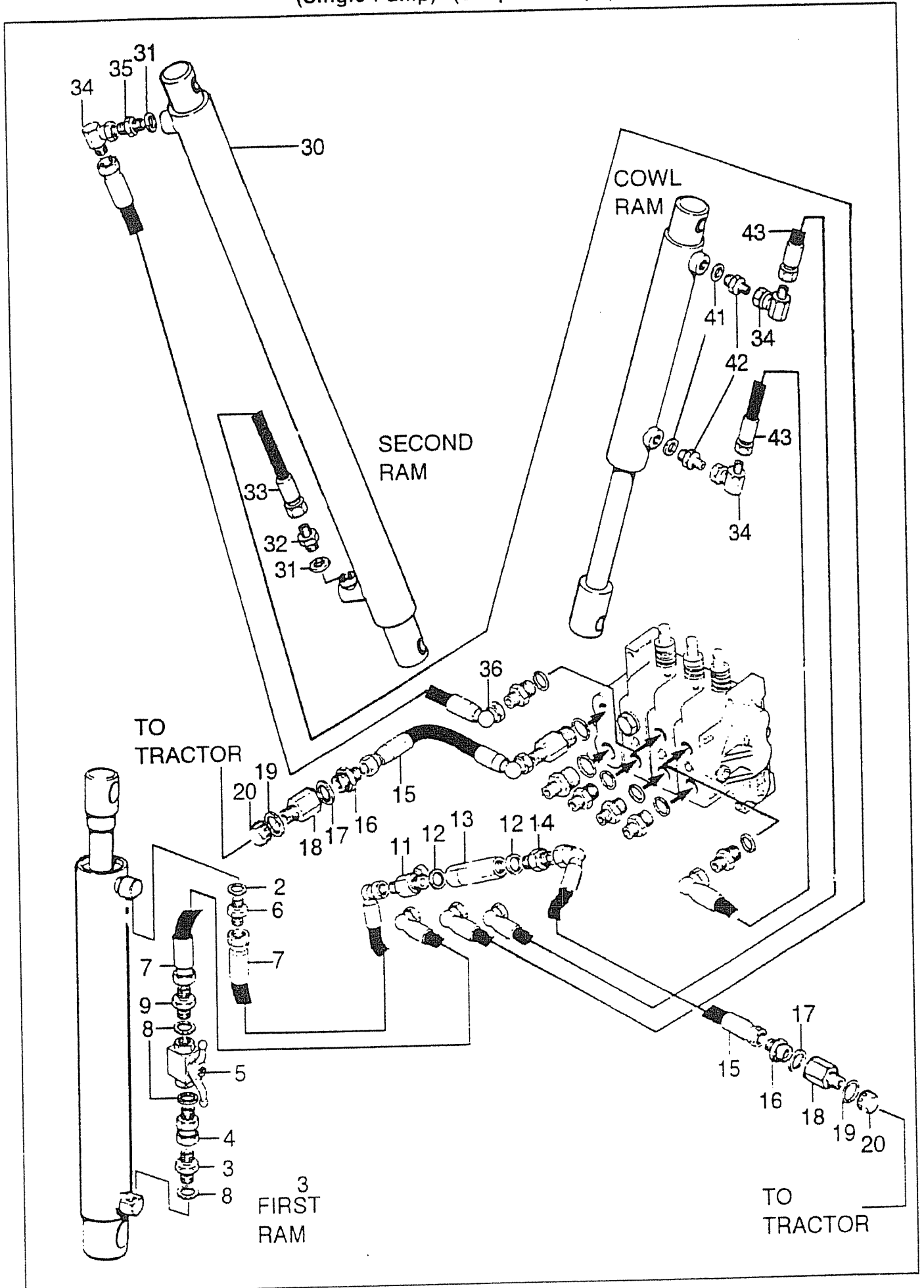


REF	PART NO.	DESCRIPTION	QTY
	72.195.01	PARALLEL CIRCUIT	CIRCUIT SYSTEME PARALLELOGRAMME
50	08.619.04	SEAL KIT	JEU DE JOINTS
*50	08.619.06	SOLENOID VALVE	VALVE SOLENOIDE
*51	05.290.04	SEAL	JOINT
*52	01.099.01	ADAPTER	RACCORD
*53	10.002.08	HOSE	FLEXIBLE
*54	03.028.12	RESTRICTOR	LIMITEUR DE DEBIT
*55	10.002.12	HOSE	FLEXIBLE
*56	04.056.10	ADAPTER	RACCORD
*57	10.002.06	HOSE	FLEXIBLE
*58	10.002.08	HOSE	FLEXIBLE
*59	08.619.05	CHECKVALVE	SOUPAPE DE RETENUE
*60	05.290.04	SEAL	JOINT
*61	01.099.01	ADAPTER	RACCORD
*62	05.835.04	ADAPTER	RACCORD
*63	10.002.12	HOSE	FLEXIBLE
*64	04.056.10	ADAPTER	RACCORD
*65	10.002.12	HOSE	FLEXIBLE
*66	08.619.05	CHECKVALVE	SOUPAPE DE RETENUE
*67	05.290.04	SEAL	JOINT
*68	01.099.01	ADAPTER	RACCORD
*69	05.835.04	ADAPTER	RACCORD
*70	04.056.10	ADAPTER	RACCORD
*71	10.002.12	HOSE	FLEXIBLE
72	04.282.59	STUD	GOUJON
72	05.282.07	SPRING WASHER	RONDELLE RESSORT
72	05.286.10	NUT	ECROU
*72	08.630.01	BRACKET	SUPPORT
*73	08.629.01	CLAMPING DEVICE	SYSTEME SERRAGE
74	07.835.02	GASKET	JOINT
74	07.835.03	SCREW	VIS
*74	08.675.01	CABLE ASSEMBLY	ENSEMBLE CABLE
*75	08.676.01	PLATE	PLAQUE
*76	06.616.01	CABLE ASSEMBLY	ENSEMBLE CABLE
86	06.616.02	FUSE	FUSIBLE

\*MAIN PART IN GROUP, RELATED PARTS HAVE SAME REFERENCE NUMBER

\*PIECE PRINCIPALE DE GROUP, PIECES ALLIEES PORTENT LE MEME REPERE

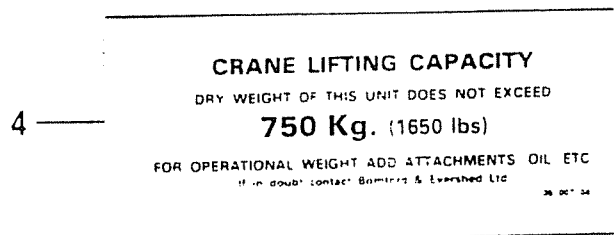
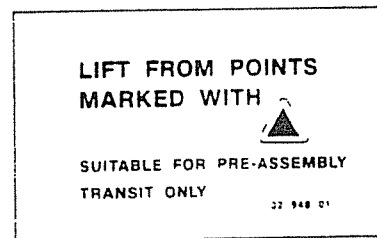
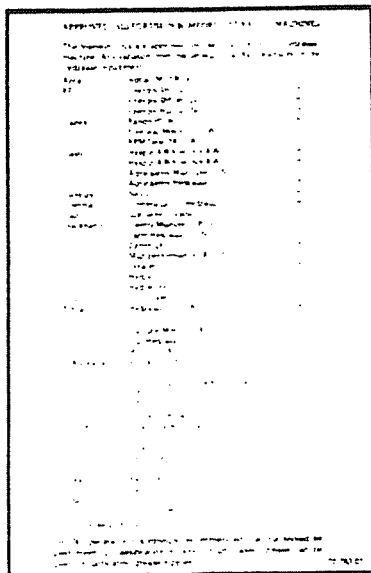
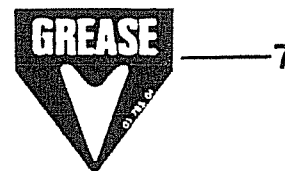
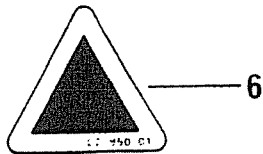
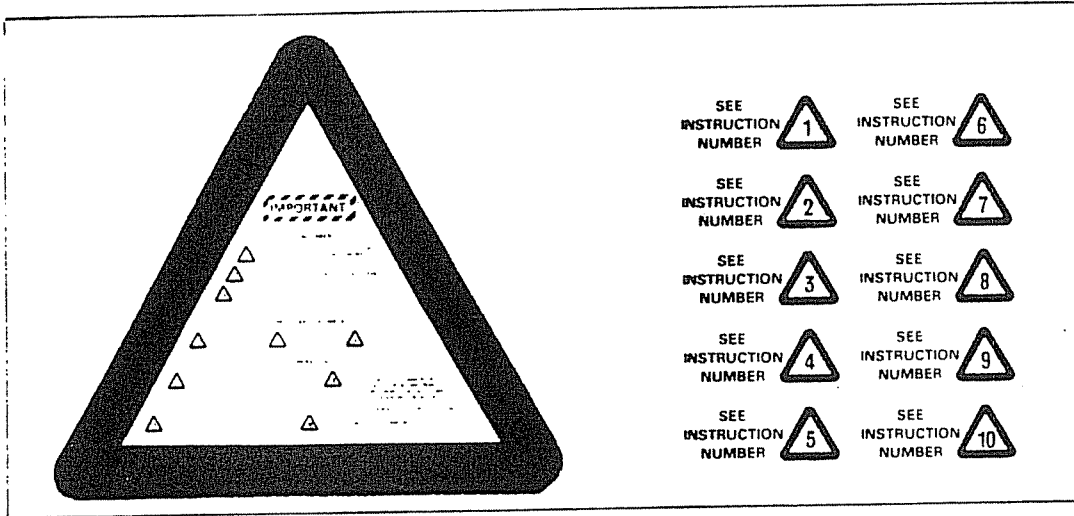
RAM CIRCUIT - CIRCUIT VERINS  
(Single Pump)- (Simple Pompe)



REF	PART NO.	DESCRIPTION	QTY
	72.199.01	FIRST RAM	PREMIER VERIN
*01	07.831.01	RAM ASSEMBLY	1er VERIN
01	07.831.02	SEAL KIT	JEU DE JOINTS
*02	05.290.04	SEAL	JOINT
*03	03.028.15	RESTRICTOR	LIMITEUR DE DEBIT
*04	02.714.01	ADAPTER	RACCORD
*05	08.200.01	VALVE	VANNE
*06	01.099.01	ADAPTER	RACCORD
*07	10.002.31	HOSE	FLEXIBLE
*08	05.290.04	SEAL	JOINT
*09	01.099.01	ADAPTER	RACCORD
*11	04.056.04	ADAPTER	RACCORD
*12	05.290.04	SEAL	JOINT
*13	06.282.01	VALVE ASSEMBLY	CLAPET ANTI-RETOUR
*14	05.124.01	ADAPTER	RACCORD
*15	10.004.30	HOSE	FLEXIBLE
*16	05.124.01	ADAPTER	RACCORD
*17	05.290.04	SEAL	JOINT
*18	05.225.01	ADAPTER	RACCORD
*19	05.290.05	SEAL	JOINT
*20	05.300.03	PLUG	BOUCHON

\*MAIN PART IN GROUP, RELATED PARTS HAVE SAME REFERENCE NUMBER

\*PIECE PRINCIPALE DE GROUP, PIECES ALLIEES PORTENT LE MEME REPERE





REF	PART NO.	DESCRIPTION		QTY
	72.141.02	DECAL	AUTOCOLLANT	
01	07.522.15	DECAL	AUTOCOLLANT	1
02	02.737.06	DECAL	AUTOCOLLANT	1
03	02.783.03	DECAL	AUTOCOLLANT	1
04	06.007.04	DECAL	AUTOCOLLANT	1
05	02.948.01	DECAL	AUTOCOLLANT	1
06	02.950.01	DECAL	AUTOCOLLANT	1
07	03.785.01	DECAL	AUTOCOLLANT	4
08	06.678.01	DECAL	AUTOCOLLANT	1
09	07.767.05	DECAL	AUTOCOLLANT	1
10	09.093.01	DECAL	AUTOCOLLANT	1
11	09.030.01	DECAL	AUTOCOLLANT	1