

PM1724

B467

ARM MOWER

PARTS MANUAL

ISSUE 5

IMPORTANT

NOTE HERE THE SERIAL NUMBER OF YOUR MACHINE AND ALWAYS QUOTE IT IN ANY COMMUNICATION WITH US OR YOUR DEALER. THIS IS PARTICULARLY IMPORTANT WHEN ORDERING SPARES. REMEMBER TO INCLUDE ALL NUMBERS AND LETTERS.

MACHINE SERIAL NUMBERS _____

THE INFORMATION GIVEN THROUGHOUT THIS MANUAL IS CORRECT AT THE TIME OF PUBLICATION. HOWEVER, IN THE COURSE OF CONSTANT DEVELOPMENT OF BOMFORD TURNER MACHINES, CHANGES IN SPECIFICATION ARE INEVITABLE. SHOULD YOU FIND THE INFORMATION GIVEN IN THIS BOOK TO BE AT VARIANCE WITH THE MACHINE IN YOUR POSSESSION, YOU ARE ADVISED TO CONTACT THE BOMFORD TURNER SERVICE DEPARTMENT WHERE UP-TO-DATE INFORMATION WILL BE PROVIDED.

THE MANUAL CAN CONTAIN STANDARD AND OPTIONAL FEATURES AND IS NOT TO BE USED AS A MACHINE SPECIFICATION.

THE MACHINE HAS BEEN TESTED AND IS CONSIDERED SAFE IF CAREFULLY USED. ENSURE YOUR OPERATOR IS PROPERLY TRAINED IN ITS USE AND MAINTENANCE.

IMPORTANT

NOTEZ ICI LES NUMEROS DE SERIE DE VOTRE MACHINE ET MENTIONNEZ LES DANS TOUTE COMMUNICATION AVEC NOS SERVICES OU VOTRE REVENDEUR. CECI EST IMPORTANT POUR LA COMMANDE DE PIECES DETACHEES. PENSEZ A NOTER TOUS LES NUMEROS ET TOUTES LES LETTERS.

NUMEROS DE SERIE DE LA MACHINE _____

LES INFORMATIONS DONNEES DANS CE MANUEL SONT CORRECTES CEPENDANT, DU FAIT DE DEVELOPPEMENT CONSTANT DES MACHINES BOMFORD TURNER.

CHANGEMENTS DANS LES CARACTERISTIQUES SONT INEVITABLES.

SI VOUS TROUVEZ QUE LES INFORMATIONS DONNEES NE CORRESPONDENT PAS A VOTRE MACHINE VEUILLEZ CONTACTER LE SERVICE DES REPARATIONS OU DES INFORMATIONS PLUS RECENTES VOUS SERONT DONNEES. CE MANUEL PEUT MONTRER DES CARACTERISTIQUES OPTIONNELLES ET NE PEUT PAS ETRE CONSIDERE COMME SPECIFICATION DE LA MACHINE.

CETTE MACHINE A ETE TESTEE, ET ELLE EST CONSIDEREE COMME FIABLE A CONDITION D'UNE BONNE UTILISATION. ASSUREZ-VOUS QUE VOTRE OPERATEUR EST QUALIFIE EN CE QUI CONCERNE L'UTILISATION DE LA MACHINE AINSI QUE SON ENTRETIEN.

WICHTIG

TRAGEN SIE HIER DIE SERIENNUMMERN IHRER MASCHINE EIN UND GEBEN SIE DIESE IMMER AN, WENN SIE SICH AN UNS ODER IHREN HÄNDLER WENDEN. DAS IST BESONDERS BEI ERSATZTEILBESTELLUNGEN WICHTIG. VERGESSEN SIE NICHT, ALLE ZAHLEN UND BUCHSTABEN ZU NOTIEREN.

SERIENNUMMERN DER MASCHINE _____

DIE ANGABEN INDIESEM HANDBUCH SIND BEI VERÖFFENTLICHUNG KORREKT. AUFGRUND DER KONSTANTEN WEITERENTWICKLUNG VON BOMFORD TURNER MASCHINEN SIND JEDOCHÄNDERUGDEN IN DER SPEZIFIKATION UNVERMEIDLICH. WENN DIE INFORMATION IN DIESEM HANDBUCH NICHT MIT IHRER MASCHINE ÜBEREINSTIMMEN, NEHMEN SIE BITTE KONTAKT MIT DER BOMFORD TURNER KUNDENDIENSTABTEILUNG AUF, DIE IHNEN GERNE DIE AKTUELLEN INFORMATION ZUKOMMEN LÄSST.

DAS HANDBUCH KANN SOWOHL BESCHREIBUNGEN FÜR DIE STANDARD AUSFÜHRUNG ALS AUCH FÜR ZUBEHÖR ENTHALTEN UND IST NICHT ALS MASCHINENSPEZIFIKATION ZU VERWENDET.

DIE MASCHINE IST GETESTET UND BEI SACHGEMÄSSEM BETRIEB ALS SICHER BEFUNDEN WORDEN. SORGEN SIE DAFÜR, DASS IHR BEDIENPERSONAL IN ANWENDUNG UND WARTUNG RICHTIG GESCHULT WIRD.

B467 ARM MOWER

PAGE AND ILLUSTRATION NUMBERS SHOWN ARE USED ONLY FOR REFERENCE PURPOSES AND SHOULD NOT BE USED FOR ORDERING SPARE PARTS. PLEASE ENSURE THE CORRECT PART NUMBER AND DESCRIPTION IS GIVEN WHEN ORDERING SPARE PARTS.

FOR MACHINES WITH SERIAL NUMBERS COMMENCING FROM:

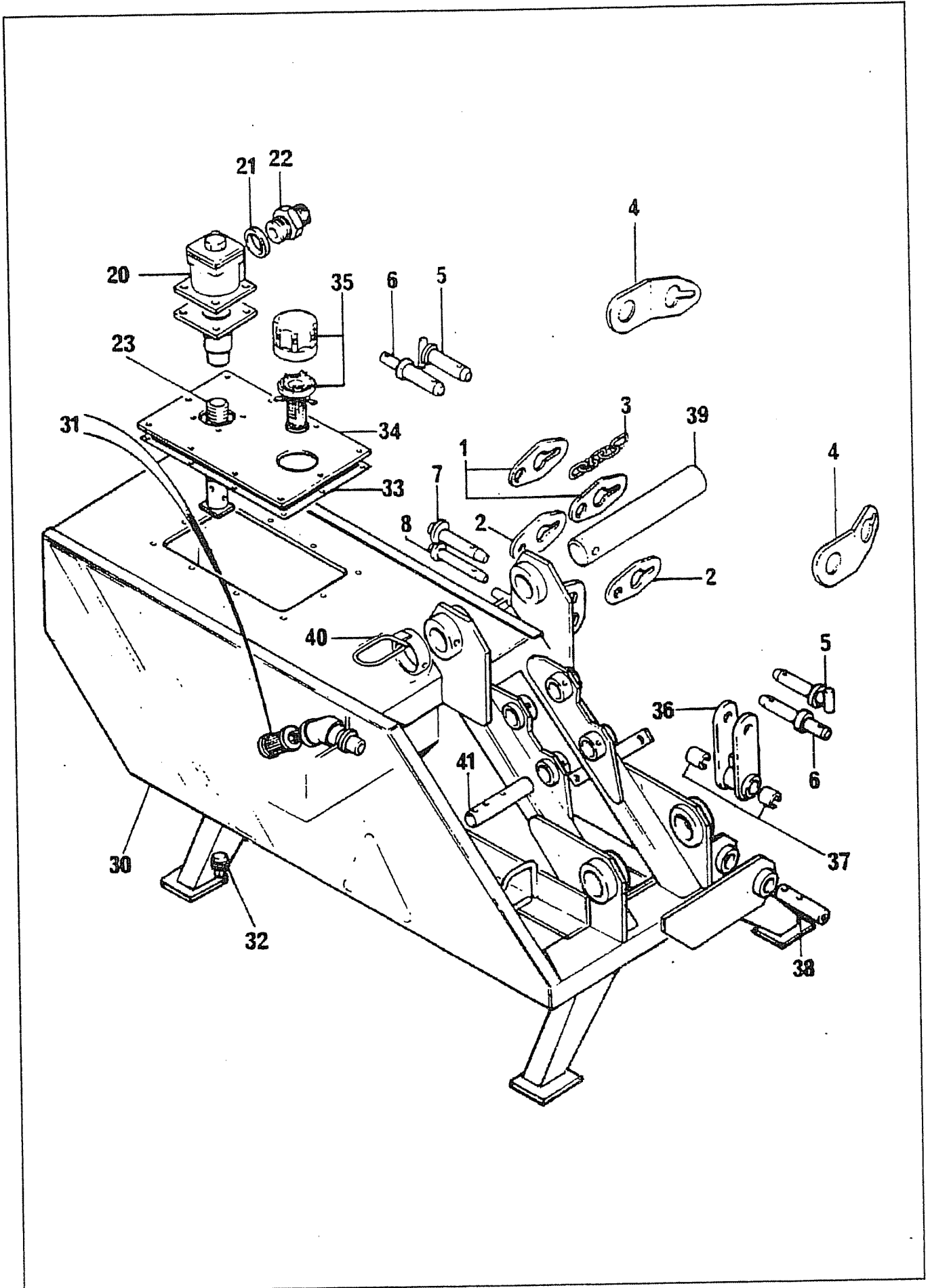
PAGE NO.	DESCRIPTION
2-1 TO 2-3	MAINFRAME AND MOUNTINGS
3-1 TO 3-4	ARMS AND COWL BRACKET
4-1 TO 4-3	SINGLE PUMP
5-1 TO 5-3	TWIN PUMP
6-1 TO 6-2	CONTROL VALVE
7-1 TO 7-2	CONTROL VALVE - SEMI-PARALLEL
7-3 TO 7-4	CONTROL VALVE ASSEMBLY
8-1 TO 8-2	REMOTE CONTROL
8-3 TO 8-4	REMOTE CONTROL - PROPORTIONAL
9-1 TO 9-2	RAM CIRCUITS - SINGLE PUMP
10-1 TO 10-3	RAM CIRCUITS TWIN PUMP/MAINFRAME
11-1 TO 11-4	DECALS

IMPORTANT

THIS MACHINE IS FOR VEGETATION CONTROL AND
MUST NOT BE USED FOR ANY OTHER PURPOSE

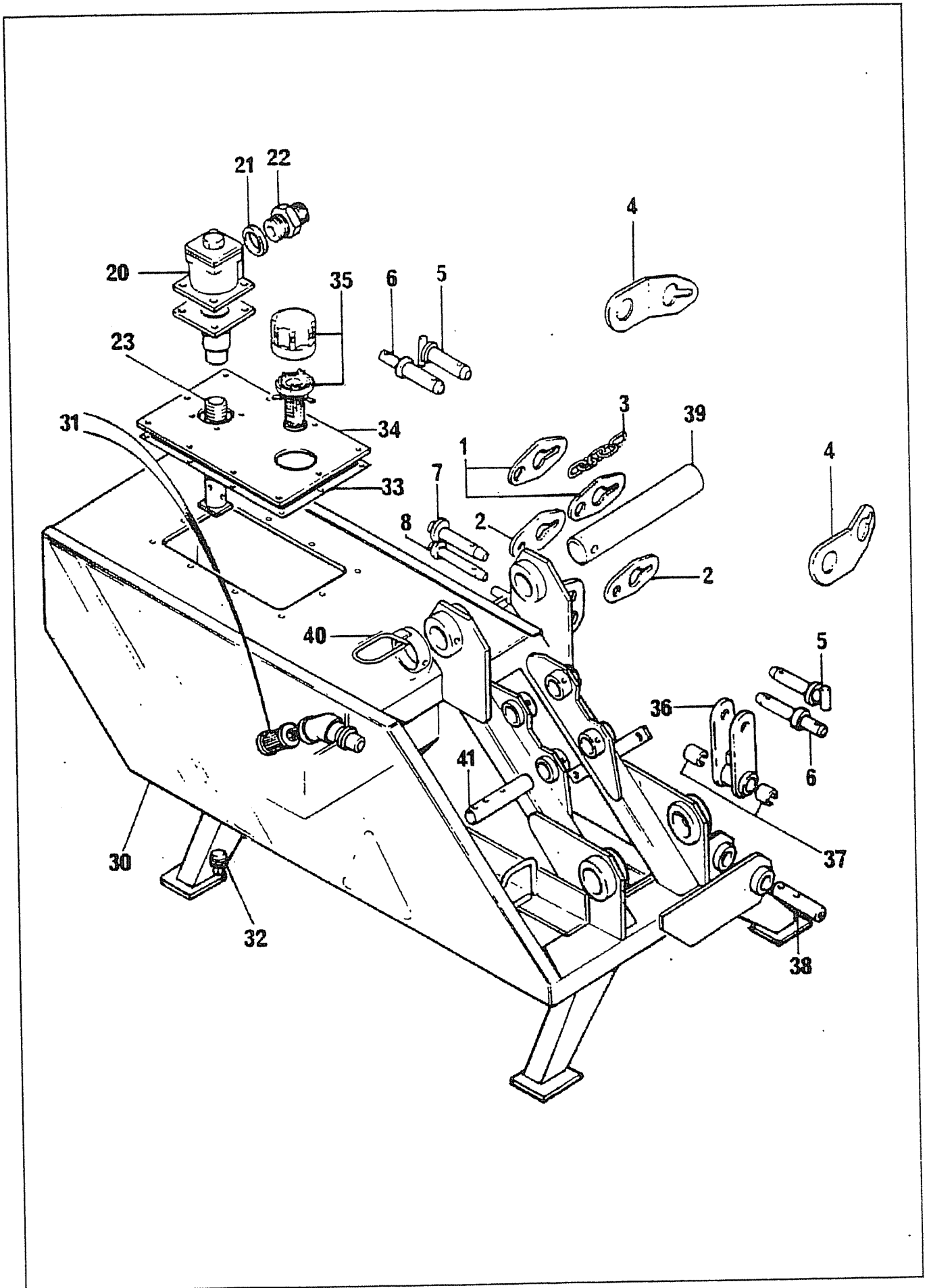
IT IS POTENTIALLY HAZARDOUS TO FIT OR USE
ANY PARTS OTHER THAN GENUINE BOMFORD TURNER PARTS

THE COMPANY DISCLAIMS ALL LIABILITY FOR THE
CONSEQUENCES OF SUCH USE, WHICH IN ADDITION
VOIDS THE MACHINE WARRANTY



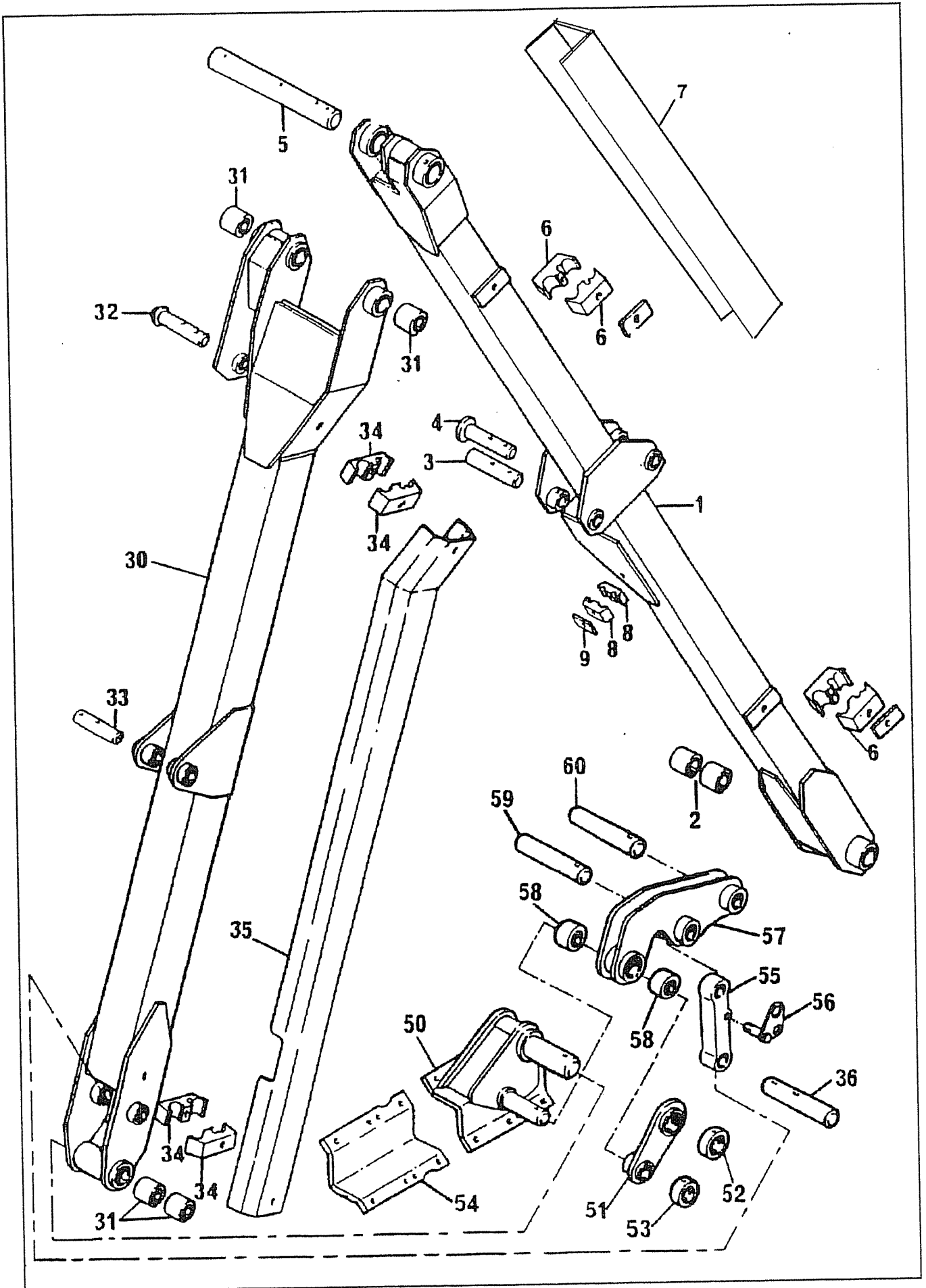
REF	PART NO.	DESCRIPTION	QTY
72.148.01 TRACTOR MOUNTINGS			
*01	09.999.01	PLATE STABILIZER CAT2	2
*02	10.100.01	PLATE STABILIZER CAT1	2
*03	10.105.01	CHAIN 8DIA X 1800	1
*04	09.998.01	PLATE STABILIZER	2
05	00.372.01	LINCH PIN	2
*05	06.318.01	PIN-1.1/8" DIA X 103	2
06	05.159.01	PIN-DUAL CATEGORY	0
07	00.372.01	LINCH PIN	1
*07	03.873.01	PIN 1"DIA X 140MM	1
08	00.372.01	LINCH PIN	1
*08	03.874.01	PIN 3/4"DIA X 140MM	1
72.089.01 FILTER ASSEMBLY			
*20	03.824.05	FILTER ASSY(110 LITRE)	1
20	03.824.07	FILTER ELEMENT(110 LITRE)	0
20	05.282.07	SPRING WASHER 6MM PLATED	4
20	05.839.04	SETSCREW M6 X 30MM PLATED	4
*21	05.290.07	BONDED SEAL 1"BSP	1
*22	05.434.01	ADAPTOR 1"BSP X 1"BSP	1
*23	03.825.01	PIPE - FILTER	1

*MAIN PART IN GROUP, RELATED PARTS HAVE SAME REFERENCE NUMBER



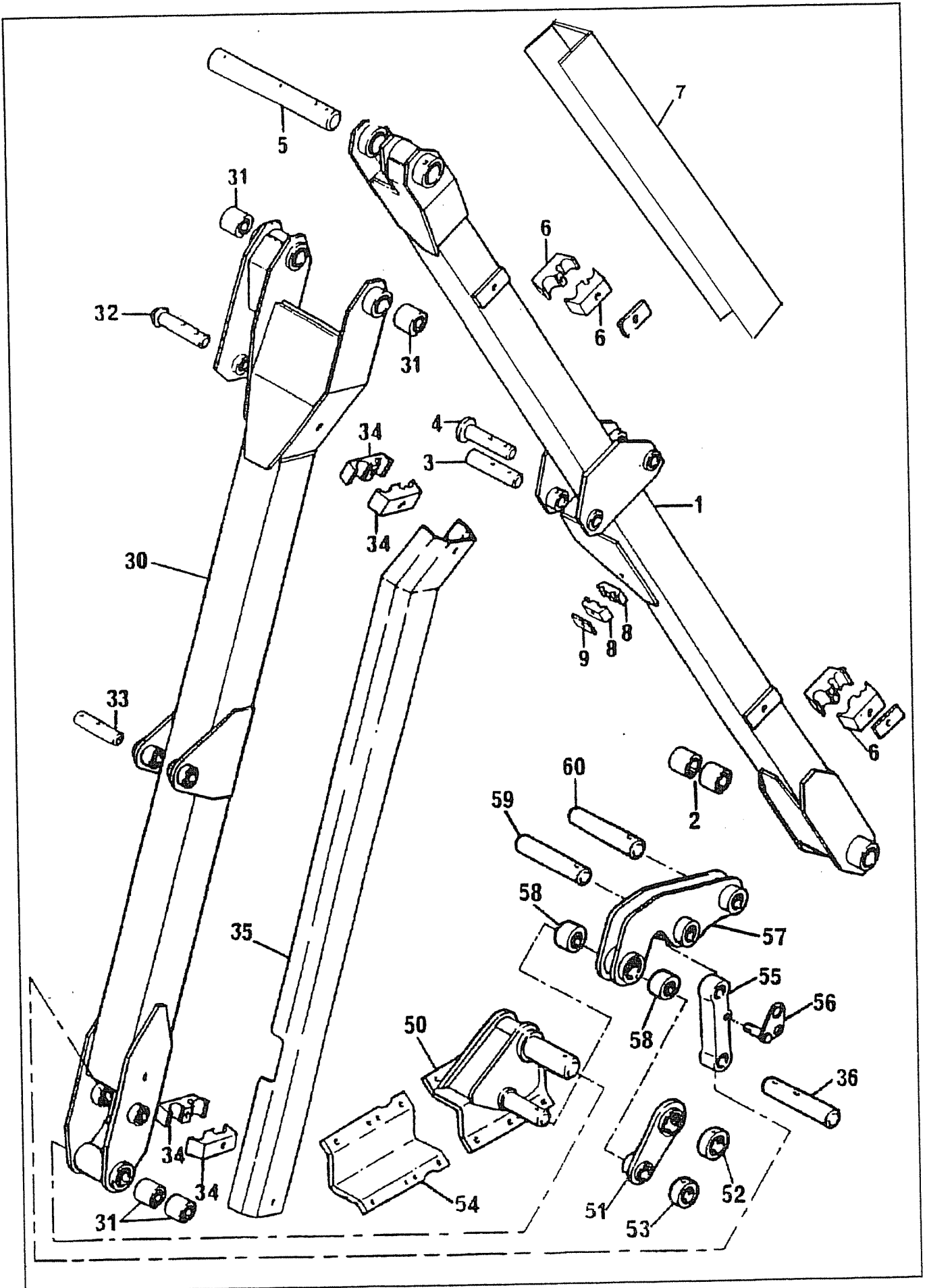
REF	PART NO.	DESCRIPTION	QTY
		72.149.02 MAINFRAME LH	
		72.150.02 MAINFRAME RH	
30	02.717.02	PLUG PLASTIC 50MM	4
30	03.231.06	RUBBER MOULDING - 670MM	1
30	05.227.01	HAMMER DRIVE SCREW NO.6 X 3/8"	2
30	05.281.01	FLAT WASHER 8MM PLATED	10
30	05.282.03	SPRING WASHER 12MM PLATED	2
30	05.286.01	NUT M8 PLATED	10
30	05.286.03	NUT M12 PLATED	2
30	05.292.23	BOLT M12 X 100MM PLATED	2
30	05.774.06	SERIAL NO.PLATE BOMFORD TURNER	1
*30	08.625.03	MAINFRAME LH	1
30	08.625.04	MAINFRAME RH	1
*31	05.367.02	FILTER - SUCTION	1
*32	05.495.01	PLUG 1/2" BSPT	0
*33	08.605.01	GASKET	1
35	05.953.01	GREASE NIPPLE M6	1
*35	06.966.02	FILLER BREATHER CAP & STRAINER	1
36	09.997.01	LINK	1
*37	02.771.06	TENSION BUSH 35 X 30 X 30	2
*38	03.654.47	PIN - DIA 30 X 160	1
38	03.786.01	INSTRUCTION PLATE-GREASE M6	1
38	05.201.07	TENSION PIN 8MM X 45MM PLATED	1
*39	03.657.21	PIN 50 DIA X 340	1
39	05.282.03	SPRING WASHER 12MM PLATED	1
39	05.286.03	NUT M12 PLATED	1
39	05.292.24	BOLT M12 X 110MM PLATED	1
*40	08.624.01	BRACKET - HOSE GUIDE	1
*41	03.654.44	PIN 30 DIA X 160	1
41	03.786.01	INSTRUCTION PLATE-GREASE M6	1
41	05.201.07	TENSION PIN 8MM X 45MM PLATED	1

*MAIN PART IN GROUP. RELATED PARTS HAVE SAME REFERENCE NUMBER



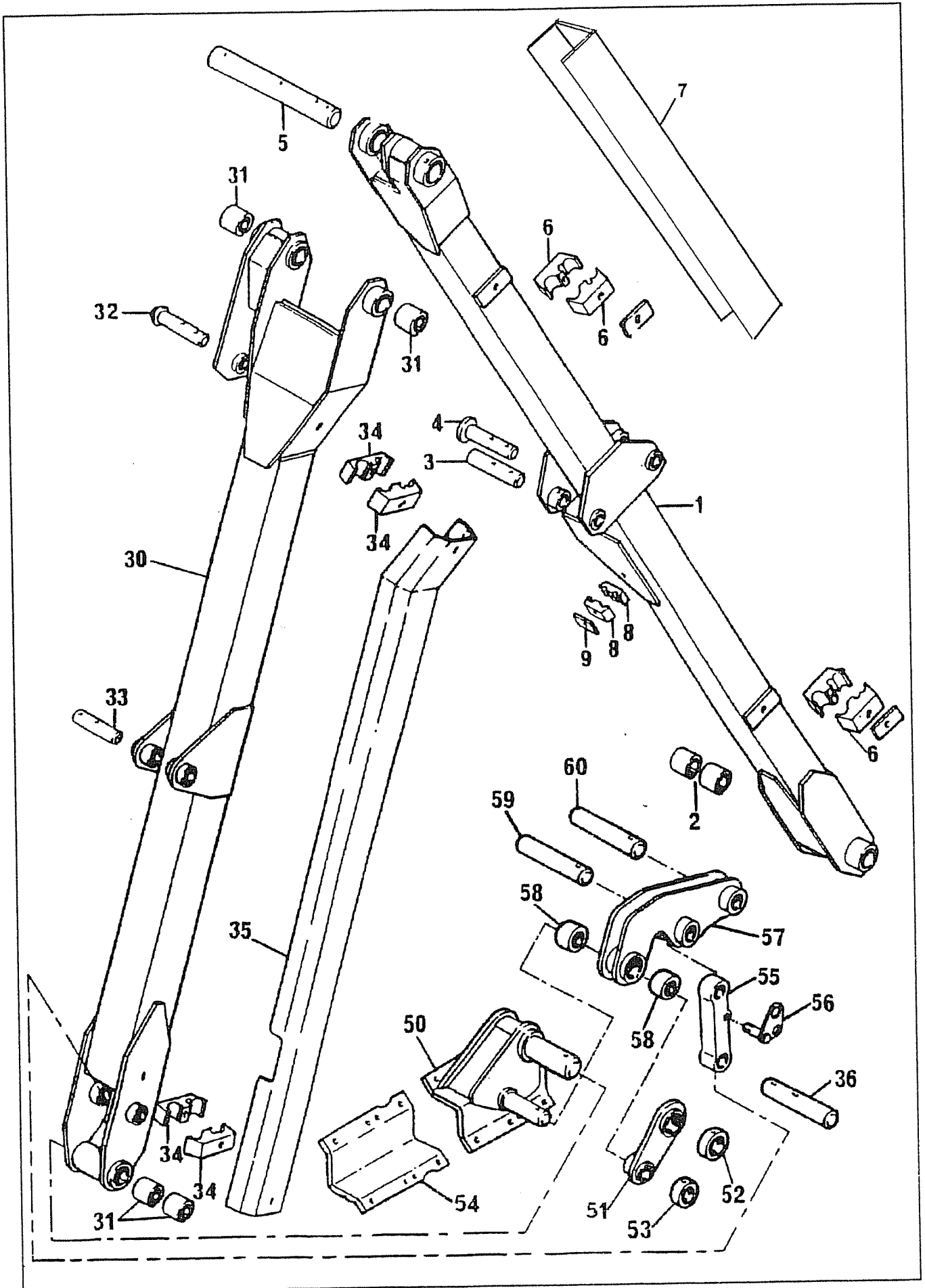
REF	PART NO.	DESCRIPTION	QTY
		72.030.03 ARM - FIRST	
01	03.786.02	INSTRUCTION PLATE-GREASE M10	0
01	05.953.04	GREASE NIPPLE M10 90 DEG	1
*01	09.454.01	ARM - FIRST	1
02	08.297.01	BUSH - PLASTIC 60 X 50 X 50	2
*03	03.654.43	PIN 30 DIA X 140	1
03	03.786.01	INSTRUCTION PLATE-GREASE M6	1
03	05.201.07	TENSION PIN 8MM X 45MM PLATED	1
03	05.953.01	GREASE NIPPLE M6	1
*04	03.653.31	PIN 25 DIA X 120	1
04	03.786.01	INSTRUCTION PLATE-GREASE M6	1
04	05.201.07	TENSION PIN 8MM X 45MM PLATED	1
04	05.953.01	GREASE NIPPLE M6	1
05	03.068.01	SPECIAL SETSCREW M12 X 25	2
*05	03.656.39	PIN - 40 DIA X 374	1
05	03.786.01	INSTRUCTION PLATE-GREASE M6	2
05	05.282.03	SPRING WASHER 12MM PLATED	2
05	05.286.02	NUT M10 PLATED	1
05	05.292.11	BOLT M10 X 80MM PLATED	1
05	05.953.01	GREASE NIPPLE M6	2
05	07.942.01	WASHER - M12 SPECIAL	2
06	04.282.09	STUD M10 X 85MM	2
06	05.281.02	FLAT WASHER 10MM PLATED FORM C	2
06	05.282.02	SPRING WASHER 10MM PLATED	2
06	05.282.02	SPRING WASHER 10MM PLATED	2
06	05.286.02	NUT M10 PLATED	2
*06	06.430.10	CLAMP HOSE	4
*07	07.876.01	COVER - FIRST ARM - 4.7M	1
08	04.282.66	STUD - M10 X 56	1
08	05.281.02	FLAT WASHER 10MM PLATED FORM C	1
08	05.282.02	SPRING WASHER 10MM PLATED	1
08	05.286.02	NUT M10 PLATED	1
*08	06.430.02	CLAMP HOSE 14 X 14	2
09	06.418.06	CLAMP PLATE 48 X 6	1

*MAIN PART IN GROUP, RELATED PARTS HAVE SAME REFERENCE NUMBER



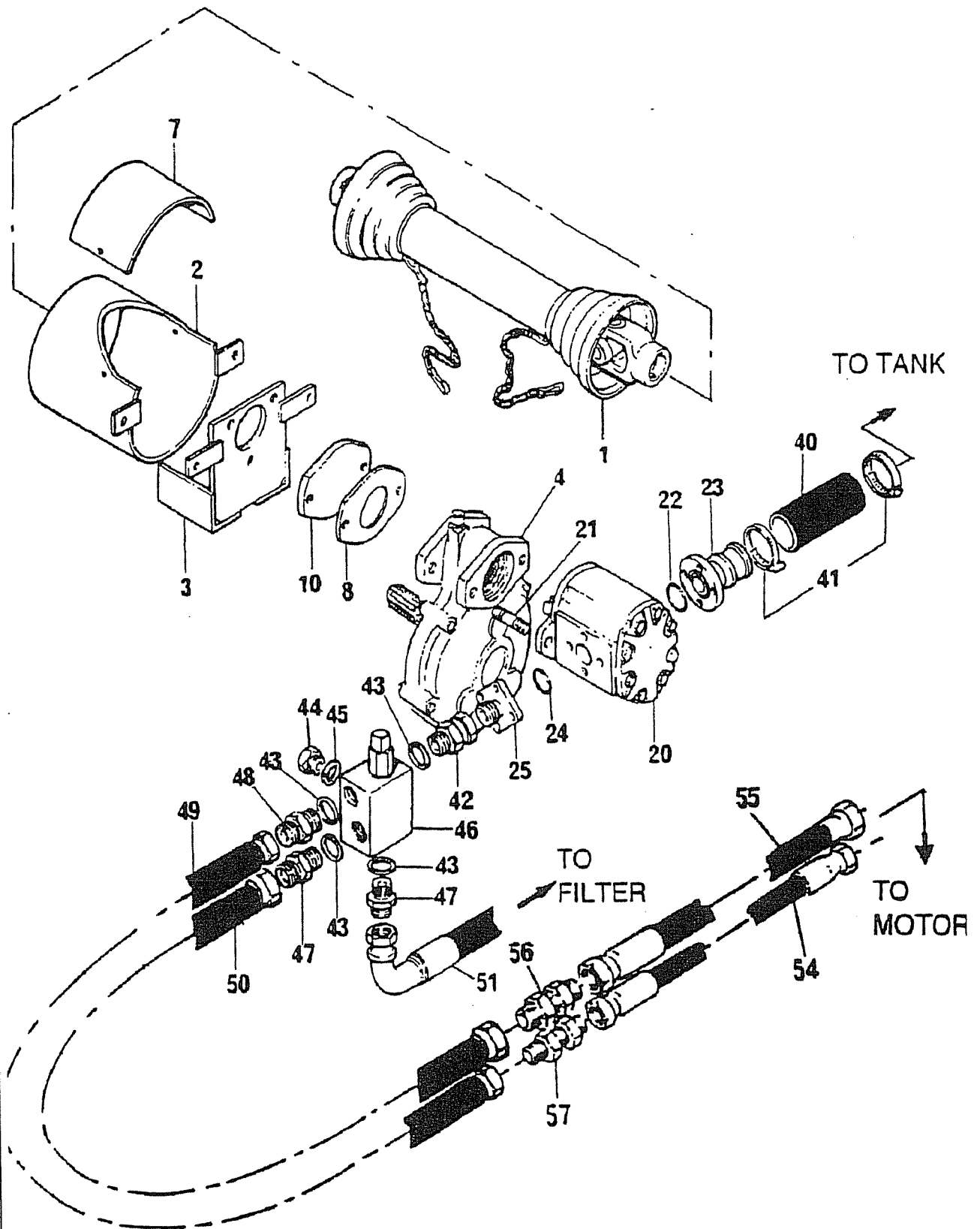
REF	PART NO.	DESCRIPTION	QTY
		72.151.03 ARM - SECOND LH	
		72.152.03 ARM - SECOND RH	
30	03.786.02	INSTRUCTION PLATE-GREASE M10	1
30	05.953.04	GREASE NIPPLE M10 90 DEG	1
*30	09.782.01	ARM - SECOND LH	1
30	09.782.02	ARM - SECOND RH	1
31	08.297.02	BUSH - PLASTIC 47 X 40 X 40	5
*32	03.653.39	PIN 25 DIA X 128	1
32	03.786.01	INSTRUCTION PLATE-GREASE M6	1
32	05.201.07	TENSION PIN 8MM X 45MM PLATED	1
32	05.953.01	GREASE NIPPLE M6	1
*33	03.653.58	PIN - DIA 25 X 138	1
33	05.201.07	TENSION PIN 8MM X 45MM PLATED	1
34	04.282.09	STUD M10 X 85MM	2
34	05.281.02	FLAT WASHER 10MM PLATED FORM C	2
34	05.282.02	SPRING WASHER 10MM PLATED	2
34	05.286.02	NUT M10 PLATED	2
*34	06.430.10	CLAMP HOSE	4
*35	09.792.01	GUARD - HOSE	1
*36	03.654.60	PIN - DIA 30 X 164	1
36	05.201.07	TENSION PIN 8MM X 45MM PLATED	1

*MAIN PART IN GROUP. RELATED PARTS HAVE SAME REFERENCE NUMBER



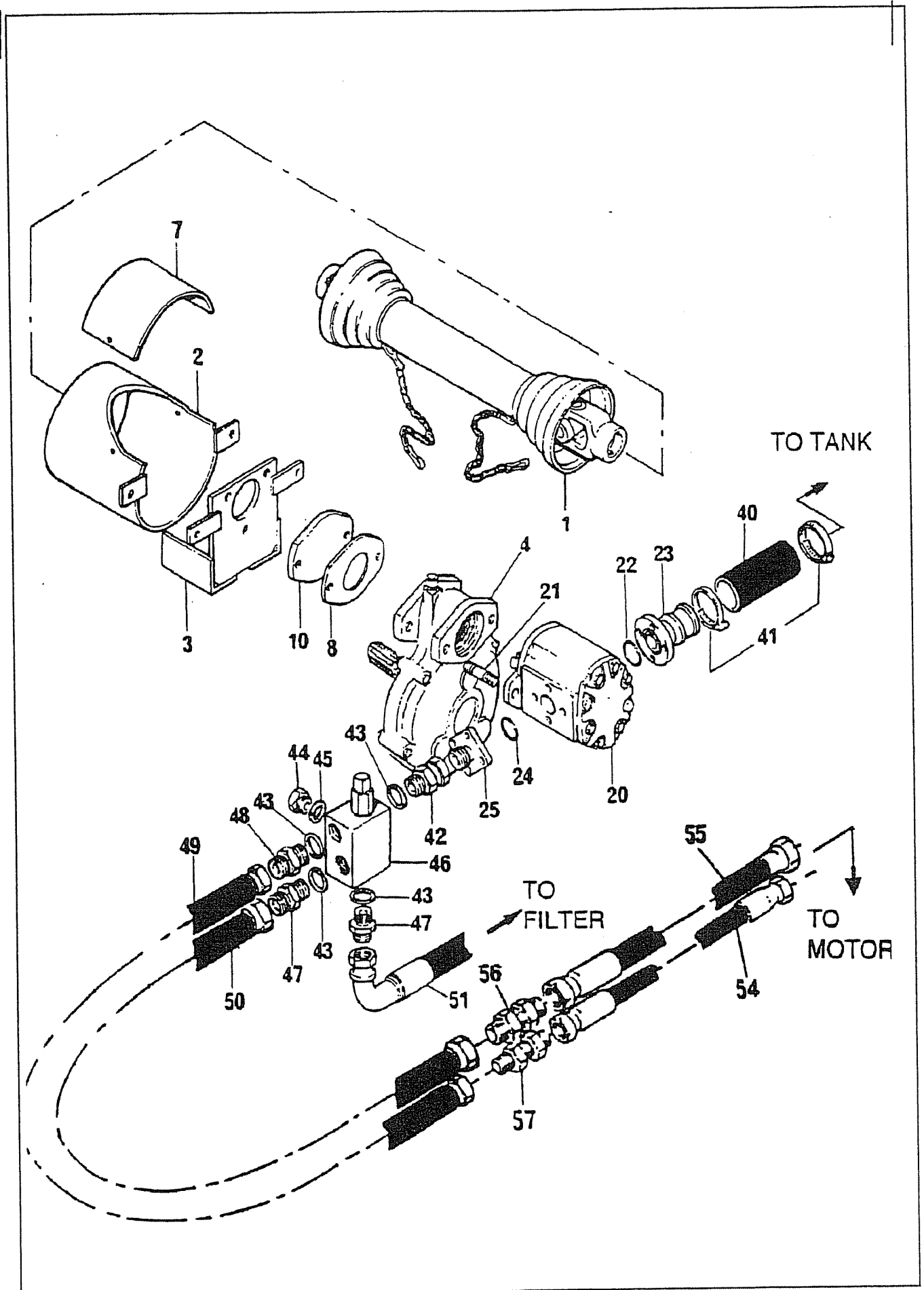
REF	PART NO.	DESCRIPTION	QTY
		72.822.01 COWL BRKT AND LINKAGE LH	
		72.823.01 COWL BRKT AND LINKAGE RH	
*50	09.784.01	BRACKET - COWL LH	1
50	09.784.02	BRACKET - COWL RH	1
*51	09.783.01	BRACKET - SUPPORT	1
*52	03.837.01	SPACER 55 X 40.5 X 20 PLATED	1
52	05.282.02	SPRING WASHER 10MM PLATED	1
52	05.287.02	SELF-LOCKING NUT M10 PLATED	1
52	05.291.19	BOLT M10 X 70MM PLATED	1
53	05.287.02	SELF-LOCKING NUT M10 PLATED	1
53	05.291.18	BOLT M10 X 65 PLATED	1
*53	09.795.01	COLLAR - 35 X 20 (ZINC PLATED)	1
54	05.264.25	SETSCREW M12 X 40MM PLATED	6
54	05.282.03	SPRING WASHER 12MM PLATED	6
54	05.286.03	NUT M12 PLATED	6
*54	07.947.01	CLAMP - COWL BRACKET	1
55	03.786.01	INSTRUCTION PLATE-GREASE M6	2
55	05.953.01	GREASE NIPPLE M6	1
55	05.953.05	GREASE NIPPLE M6 X 90DEG	1
*55	09.786.01	LINK	1
56	05.282.04	SPRING WASHER 16MM PLATED	1
56	05.286.04	NUT M16 PLATED	1
*56	09.794.01	BRACKET - HOSE LH	1
56	09.794.02	BRACKET - HOSE RH	1
57	03.786.02	INSTRUCTION PLATE-GREASE M10	1
57	05.953.03	GREASE NIPPLE M10	1
*57	09.785.01	BRACKET - COWL LINK	1
*58	08.297.05	PLASTIC BUSH - 42 X 35 - 30	2
*59	03.654.59	PIN - DIA 30 X 128	1
59	05.201.07	TENSION PIN 8MM X 45MM PLATED	1
*60	03.653.59	PIN - DIA 25 X 128	1
60	05.201.07	TENSION PIN 8MM X 45MM PLATED	1

*MAIN PART IN GROUP. RELATED PARTS HAVE SAME REFERENCE NUMBER



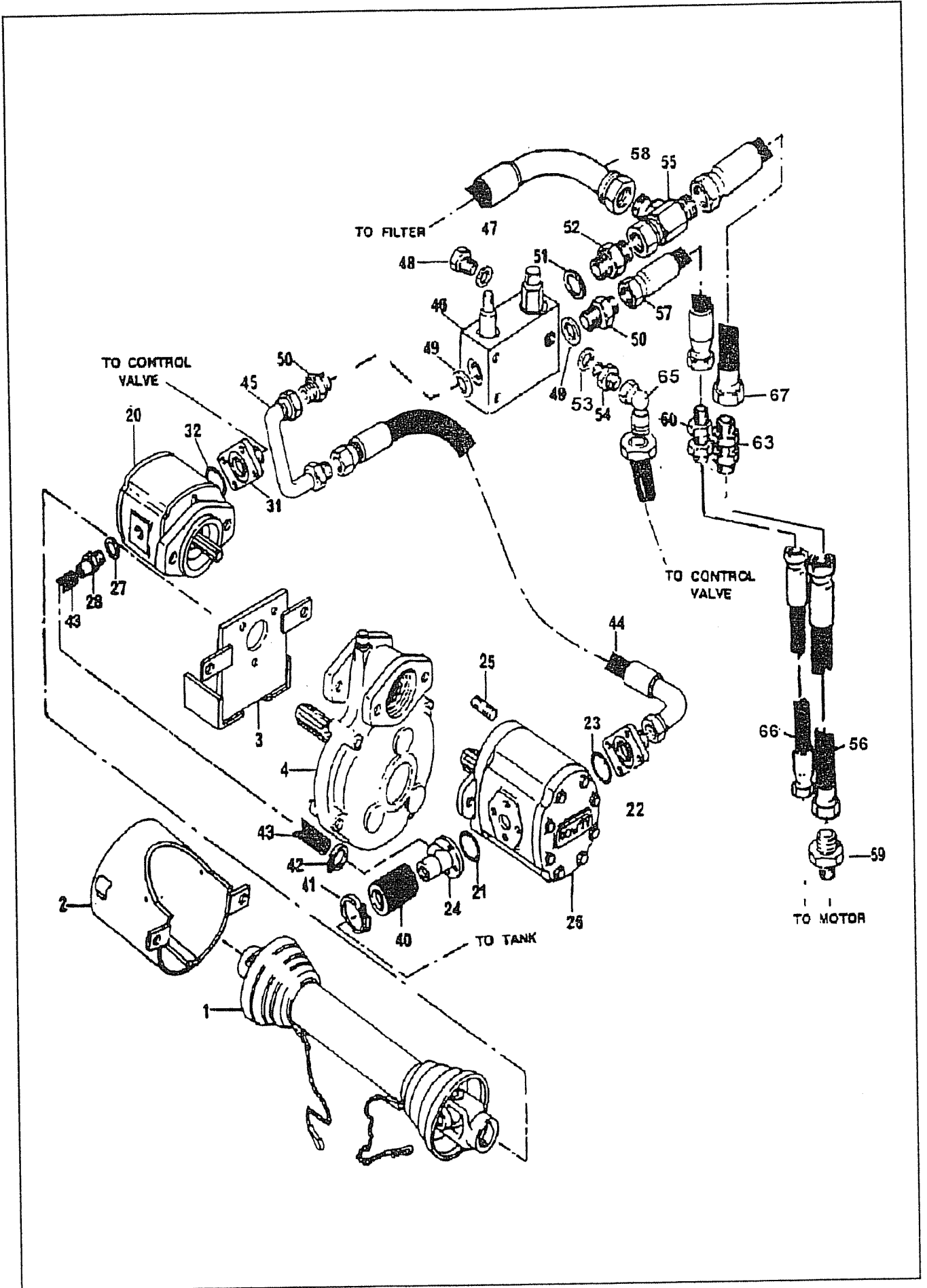
REF	PART NO.	DESCRIPTION	QTY
72.909.01 GEARBOX/PTO ASSEMBLY			
*01	41623.02	PTO SHAFT ASSY 610MM C/C	1
01	41623.31	CROSS JOURNAL SET	0
01	41623.33	COMPLETE SHIELD	0
*02	06.170.01	GUARD - PTO	1
02	05.264.02	SETSCREW M8 X 25MM PLATED	2
02	05.282.01	SPRING WASHER 8MM PLATED	2
02	05.286.01	NUT M8 PLATED	2
03	05.264.24	SETSCREW M12 X 35MM PLATED	4
03	05.286.03	NUT M12 PLATED	4
*03	09.889.01	BRACKET GEARBOX	1
03	05.287.03	NUT	4
04	07.167.01	GASKET	1
*04	09.828.01	GEARBOX ASSY - ESII	1
04	04.174.01	STUD	3
04	05.968.01	NUT	3
05	05.264.25	SETSCREW M12 X 40MM PLATED	1
05	05.281.03	FLAT WASHER 12MM PLATED	1
05	05.282.02	SPRING WASHER 10MM PLATED	2
05	05.286.02	NUT M10 PLATED	2
05	05.291.13	BOLT M10 X 40MM PLATED	2
*07	04.063.01	PLATE-COVER	1
07	05.969.01	SELF-TAPPING SCREW NO.6 X 1/2"	2
*10	04.182.01	PLATE - BLANKING	1
72.913.01 PUMP SCHEDULE			
20	05.642.02	SEAL KIT (05 650 PUMPS)	0
*20	05.650.03	PUMP 2PL146 SPLINE SHAFT	1
*21	03.100.01	STUD M10 X 34MM	2
21	05.282.02	SPRING WASHER 10MM PLATED	2
21	05.287.02	SELF-LOCKING NUT M10 PLATED	2
22	05.656.01	"O"RING 28 I/D X 2.5	1
*23	03.050.02	ADAPTOR-FLANGED 1.1/2"OD PLATED	1
23	05.657.01	SCKT CAPSCRW 5/16"UNC X 7/8" PLT	4
24	05.656.03	"O"RING 25 I/D X 3.53	1
*25	03.864.01	ADAPTOR-FLANGED 3/4"BSP PLATED	1
25	05.657.01	SCKT CAPSCRW 5/16"UNC X 7/8" PLT	4

*MAIN PART IN GROUP, RELATED PARTS HAVE SAME REFERENCE NUMBER



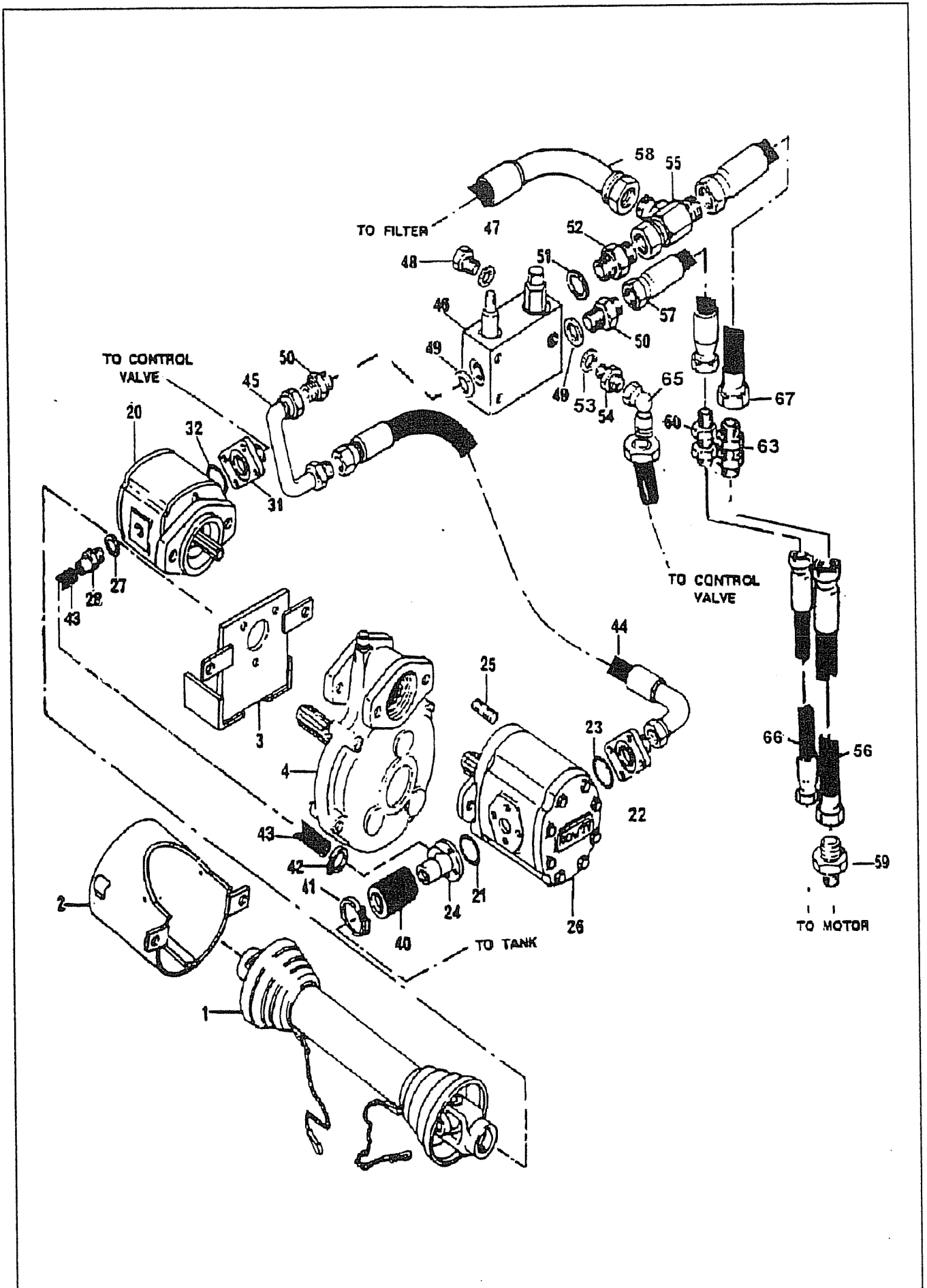
REF	PART NO.	DESCRIPTION	QTY
72.198.02 PUMP CIRCUIT-SINGLE PUMP			
*40	06.288.01	HOSE 1.1/2" BORE X 120MM	1
*41	05.863.02	JUBILEE CLIP 2"DIA	1
*42	03.858.01	ADAPTOR-SWIVEL ST 3/4"BSP M/F	1
*43	05.290.06	BONDED SEAL 3/4"BSP	3
43	05.286.02	NUT M10 PLATED	4
*44	05.433.01	PLUG 3/8"BSP PLATED	2
45	04.282.09	STUD M10 X 85MM	1
46	03.862.02	SEAL KIT (03862 VALVES)	0
*46	03.862.06	RELIEF VALVE ASSY	1
46	03.862.07	RELIEF CARTRIDGE - 180 BAR	1
*45	05.117.01	COPPER WASHER 3/8" BSP	1
*47	05.373.01	ADAPTOR 3/4"BSP X 1"BSP	1
*48	05.377.01	ADAPTOR 3/4"BSP X 3/4"BSP	1
49	10.010.59	HOSE 3/4"BSP ST X 90 S.SEAL 4900	1
*50	10.012.61	HOSE 1"BSP ST X 90 5100	1
*51	10.012.26	HOSE 1"BSP ST X 90 S.SEAL 1600	1
52	06.430.10	CLAMP HOSE	1
*54	10.009.33	HOSE 3/4"BSP ST/ST S.SEAL 2300	1
*55	10.011.33	HOSE 1"BSP ST X ST S.SEAL 2300	1
56	08.128.03	ADAPTR 1"BSP BULKHEAD C/W LNUT	1
57	08.128.08	ADPR BULKHD 3/4"BSP C/W LNUT	1
56	05.281.02	FLAT WASHER 10MM PLATED FORM C	1
56	05.282.02	SPRING WASHER 10MM PLATED	2
56	06.418.05	CLAMP PLATE 95 X 6	2

*MAIN PART IN GROUP. RELATED PARTS HAVE SAME REFERENCE NUMBER



REF	PART NO.	DESCRIPTION	QTY
		72.908.01 PUMP/GEARBOX SCHEDULE	
		72.036.02 PUMP/GEARBOX SCHEDULE	
*01	41623.02	PTO SHAFT ASSY 610MM C/C	1
01	41623.31	CROSS JOURNAL SET	0
01	41623.33	COMPLETE SHIELD	0
*03	09.889.01	BRACKET GEARBOX	1
03	05.264.24	SETSCREW	4
03	05.287.03	NUT	4
*04	09.828.01	GEARBOX ASSY - ESII	1
04	05.264.24	SETSCREW	3
04	05.287.03	NUT	3
10	05.264.02	SETSCREW M8 X 25MM PLATED	2
10	05.282.01	SPRING WASHER 8MM PLATED	2
10	05.282.02	SPRING WASHER 10MM PLATED	2
10	05.286.01	NUT M8 PLATED	2
*10	06.170.01	GUARD - PTO	1
*20	09.537.01	GEAR PUMP - ULTRA 1P X 070	1
21	05.656.01	"O"RING 28 I/D X 2.5	1
*22	03.864.01	ADAPTOR-FLANGED 3/4"BSP PLATED	1
22	05.657.01	SCKT CAPSCRW 5/16"UNC X 7/8" PLT	12
23	05.656.03	"O"RING 25 I/D X 3.53	1
*24	06.251.01	ADAPTOR-INLET PLATED	1
25	03.100.01	STUD M10 X 34MM	2
*26	05.650.03	PUMP 2PL146 SPLINE SHAFT	1
27	05.290.05	BONDED SEAL 1/2"BSP	1
*28	04.244.01	ADAPTOR 1/2"BSP X 3/4"O/D	1
*31	09.745.01	ADAPTOR-FLANGE 3/8"BSP PLATED	1
*32	30.210.92	O RING 200-121-4490	1

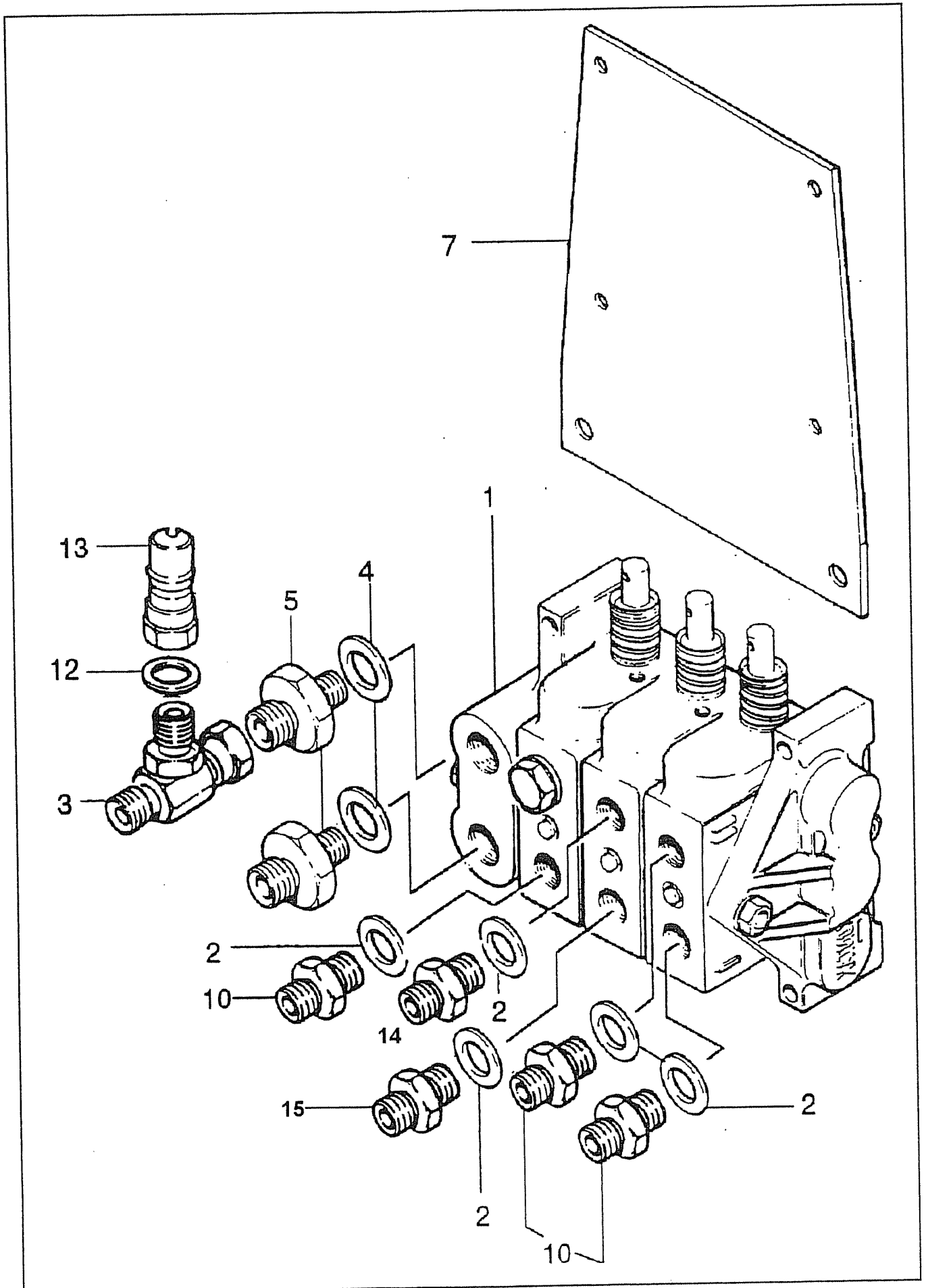
*MAIN PART IN GROUP, RELATED PARTS HAVE SAME REFERENCE NUMBER



REF	PART NO.	DESCRIPTION	QTY
72.145.02 PUMP CIRCUIT - TWIN PUMP			
*40	06.288.01	HOSE 1.1/2" BORE X 120MM	1
*41	05.863.02	JUBILEE CLIP 2"DIA	2
42	05.863.03	JUBILEE CLIP 20-32 DIA	2
*43	05.983.09	HOSE 3/4" BORE X 650MM PLAIN	1
*44	10.010.22	HOSE 3/4"BSP ST/ST S.SEAL 1200	1
*45	06.430.10	CLAMP HOSE	1
45	06.459.03	PIPE RIGID 3/4"BSP M/F	1
46	05.625.11	SKT CAPSCRW 1/4 UNC X 5/8 PLATD	2
46	05.281.01	FLAT WASHER 8MM PLATED	2
46	05.282.01	SPRING WASHER 8MM PLATED	2
46	05.291.07	BOLT M8 X 60MM PLATED	2
46	06.284.02	SEAL KIT FOR (06.284.01) VALVE	0
*46	06.284.19	DIVERTER/RELIEF VALVE - 180BAR	1
46	06.284.18	RELIEF CARTRIDGE - 180 BAR	1
*47	05.117.01	COPPER WASHER 3/8" BSP	1
*48	05.433.01	PLUG 3/8"BSP PLATED	1
*49	05.290.06	BONDED SEAL 3/4"BSP	2
*50	05.377.01	ADAPTOR 3/4"BSP X 3/4"BSP	2
*51	05.290.07	BONDED SEAL 1"BSP	1
*52	05.434.01	ADAPTOR 1"BSP X 1"BSP	1
*53	05.290.04	BONDED SEAL 3/8"BSP	1
*54	05.124.01	ADAPTOR 3/8" BSP X 3/8" BSP	1
*55	04.056.02	ADAPTOR-SWIVEL TEE 1"BSP F/M/M	1
*56	10.011.33	HOSE 1"BSP STXST S.SEAL 2300	1
*57	10.010.68	HOSE 3/4"BSP STX90 S.SEAL 5800	1
*58	10.012.10	HOSE 1"BSP STX90 S.SEAL 500	1
*59	05.373.01	ADAPTOR 3/4"BSP X 1"BSP	1
*60	08.128.08	ADPR BULKHD 3/4"BSP C/W LNUT	1
61	04.282.09	STUD M10 X 85MM	1
61	05.281.02	FLAT WASHER 10MM PLATED FORM C	1
61	05.282.02	SPRING WASHER 10MM PLATED	1
61	05.286.02	NUT M10 PLATED	2
61	06.418.05	CLAMP PLATE 95 X 6	2
*63	08.128.03	ADAPTR 1"BSP BULKHEAD C/W LNUT	1
*64	10.004.14	HOSE 3/8"BSP STX90 S.SEAL 700	1
65	05.835.01	ADAPTOR-SWIVEL 90 3/8"BSP M/F	1
66	10.009.33	HOSE 3/4" x 2300	1
67	10.012.70	HOSE 1" X 6000	1

*MAIN PART IN GROUP, RELATED PARTS HAVE SAME REFERENCE NUMBER

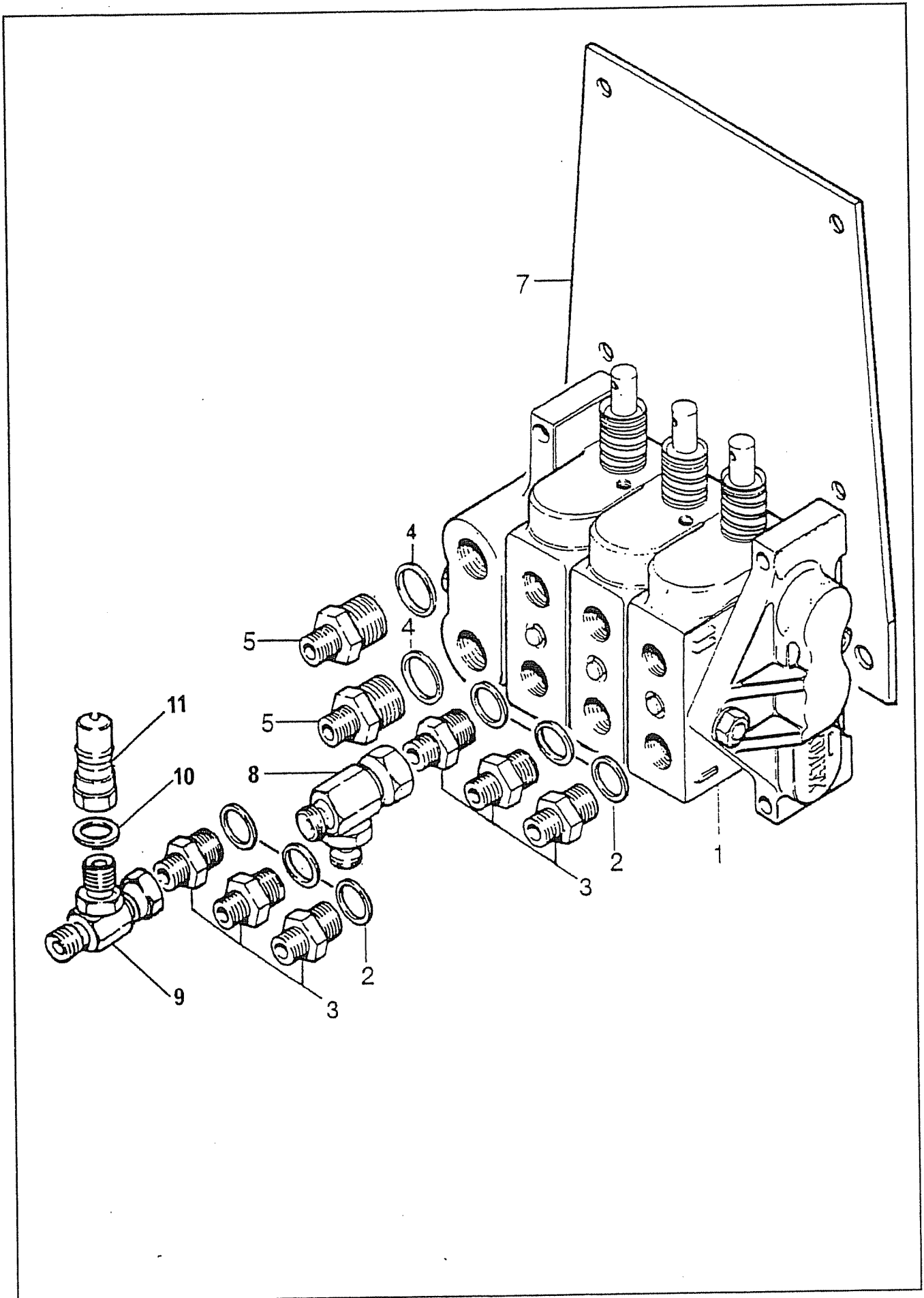
CONTROL VALVE



REF	PART NO.	DESCRIPTION	QTY
74.918.01 CONTROL VALVE ASSEMBLY			
01	0342061	SKT CAPSCREW 1/4"UNC X 3/4" BSP	6
*01	41335.01	VALVE ASSY-3 SPOOL	1
*02	05.290.05	BONDED SEAL 1/2"BSP	5
*03	04.056.16	ADAPTOR F/M/M 3/8X3/8X1/4 BSP	1
*04	05.290.06	BONDED SEAL 3/4"BSP	2
*05	05.128.01	ADAPTOR 3/4" BSP X 3/8" BSP	2
07	05.282.02	SPRING WASHER 10MM PLATED	1
07	05.286.02	NUT M10 PLATED	3
07	05.291.18	BOLT M10 X 65 PLATED	3
*07	08.057.01	PLATE - CONTROL VALVE KONTAK	1
*10	01.099.03	ADAPTOR 1/2BSP X 1/4BSP	3
*12	05.290.02	BONDED SEAL 1/4"BSP	1
*13	05.146.12	Q/R COUPLING 1/4" BSP MALE	1
*14	03.028.19	RESTRICTOR 1/2 X 1/4"BSP 1.00MM	1
*15	03.028.20	RESTRICTOR 1/2 X 1/4"BSP 1.27MM	1

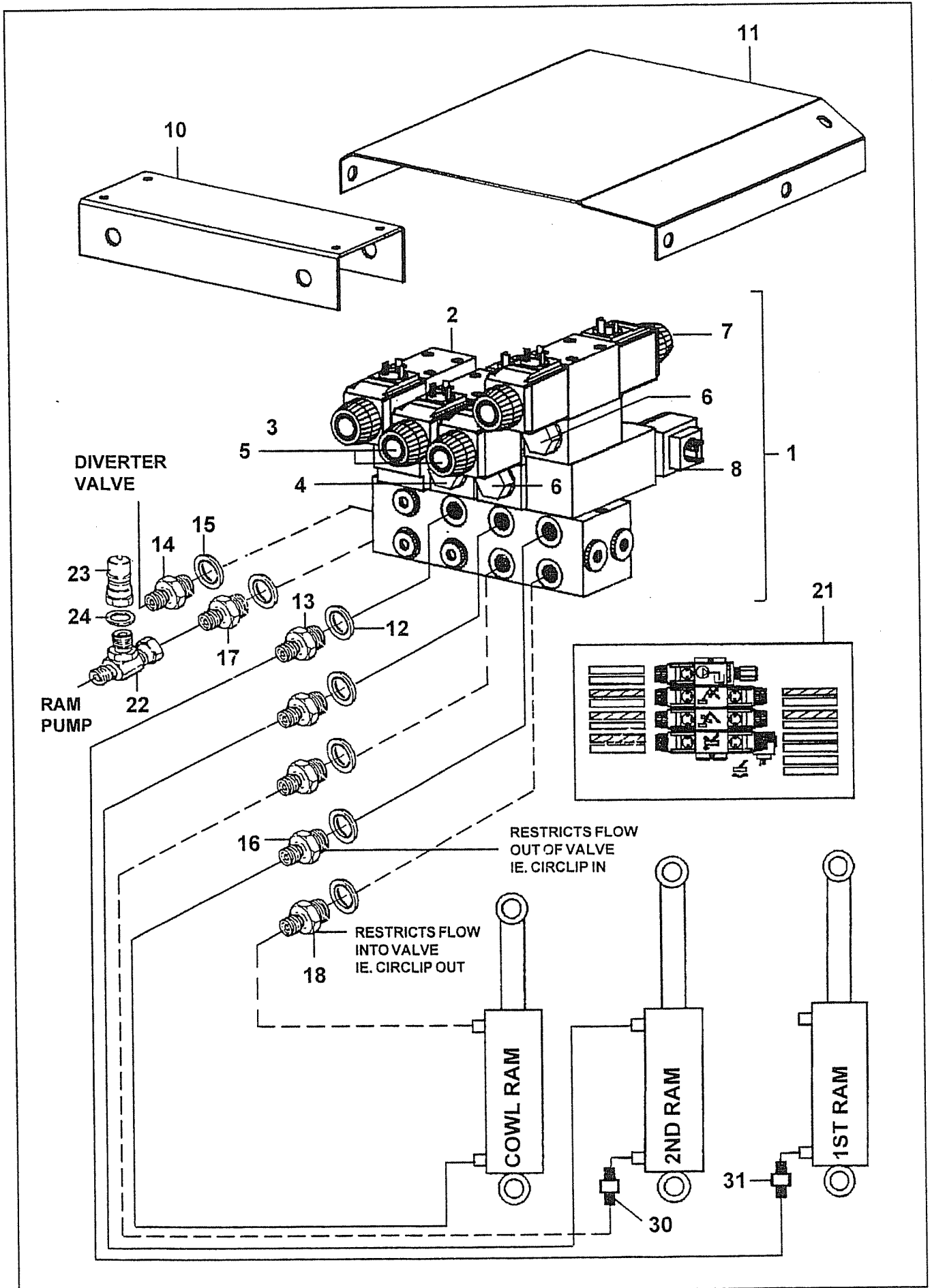
*MAIN PART IN GROUP, RELATED PARTS HAVE SAME REFERENCE NUMBER

CONTROL VALVE



REF	PART NO.	DESCRIPTION	QTY
74.919.01 CONTROL VALVE ASSY			
01	01.407.20	END COVER O.C.	0
01	01.407.60	RELIEF VALVE 207 BAR (3000PSI)	0
01	0342061	SKT CAPSCREW 1/4"UNCx3/4" BZP	6
01	05.449.01	SEAL KIT (01407 VALVES)	0
01	05.836.17	INLET COVER	0
*01	08.866.15	CONTROL VALVE-3 SPOOL KONTAK	1
01	08.866.54	FLOAT SLICE - REVERSED	0
01	08.866.61	D/A SLICE - REVERSED	0
*02	05.290.05	BONDED SEAL 1/2"BSP	6
*03	01.099.03	ADAPTOR 1/2BSP X 1/4BSP	6
*04	05.290.06	BONDED SEAL 3/4"BSP	2
*05	05.128.01	ADAPTOR 3/4" BSP X 3/8" BSP	2
07	05.282.02	SPRING WASHER 10MM PLATED	3
07	05.286.02	NUT M10 PLATED	3
07	05.291.18	BOLT M10 X 65 PLATED	1
07	05.292.11	BOLT M10 X 80MM PLATED	2
*07	08.057.01	PLATE - CONTROL VALVE KONTAK	1
*08	04.056.16	ADAPTOR F/M/M 3/8X3/8X1/4 BSP	1
*09	04.056.10	ADAPTOR - TEE 1/4"BSP F/M/M	1
*10	05.290.02	BONDED SEAL 1/4"BSP	1
*11	05.146.12	Q/R COUPLING 1/4" BSP MALE	1

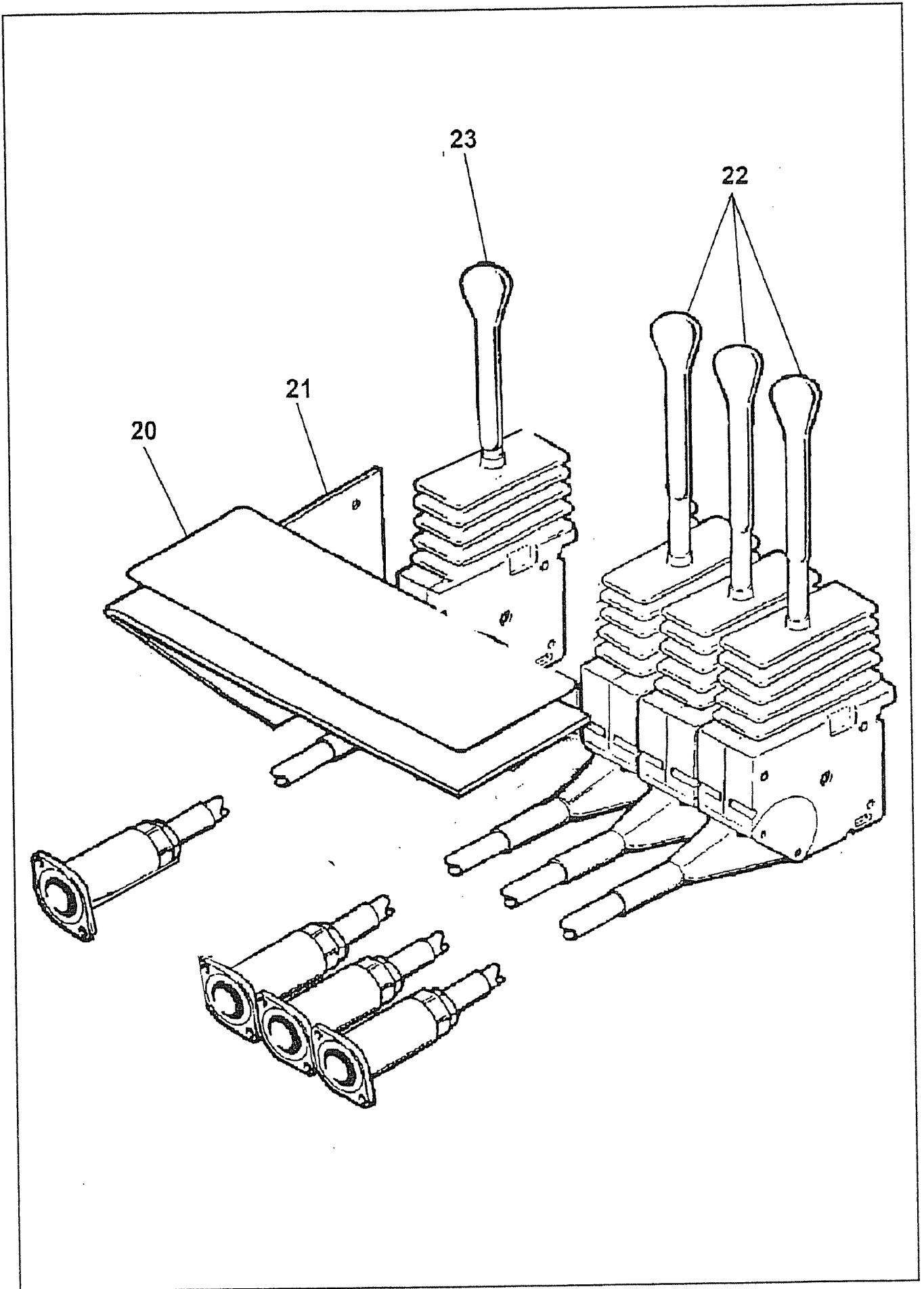
*MAIN PART IN GROUP, RELATED PARTS HAVE SAME REFERENCE NUMBER



REF	PART NO.	DESCRIPTION	QTY
76.411.01 CONTROL VALVE ASSY-EPP 3 SERV.			
01	05.282.09	SPRING WASHER 5MM PLATED	4
01	30.073.93	SCREW M5 X 16MM 8.8 GRADE	4
*01	41784.01	CONTROL VALVE PROP 3 SERVICE	1
02	08.852.69	RELIEF VALVE CART.	1
03	08.852.51	CETOP 3 VENT VALVE	1
04	08.852.55	CETOP 3 SINGLE PO CHECK VALVE	1
05	41784.31	SPOOL VALVE PROPORTIONAL	2
06	08.852.53	CETOP 3 DUAL PO CHECK VALVE	2
07	08.852.52	CETOP 3 MOTOR SPOOL VALVE	1
08	41784.33	VALVE CARTRIDGE - HEAD FLOAT	1
10	07.920.01	PLATE - CONTROL VALVE VICKERS	1
11	05.264.01	SETSCREW M8 X 20MM PLATED	2
11	05.281.01	FLAT WASHER 8MM PLATED	2
11	05.282.01	SPRING WASHER 8MM PLATED	2
*11	09.369.01	COVER - VALVE	1
12	05.290.04	BONDED SEAL 3/8"BSP	5
13	01.099.01	ADAPTOR 3/8"BSP X 1/4" BSP	3
14	05.122.01	ADAPTOR 1/2" BSP X 1/2" BSP	1
15	05.290.05	BONDED SEAL 1/2"BSP	2
16	07.605.01	RESTRICTOR 3/8" X 1/4" BSP	1
17	05.123.01	ADAPTOR 1/2" BSP X 3/8" BSP	1
18	07.605.01	RESTRICTOR 3/8" X 1/4" BSP	1
21	41814.01	DECAL - 3 SERVICE	1
22	04.056.16	ADAPTOR F/M/M 3/8X3/8X1/4 BSP	1
23	05.146.12	Q/R COUPLING 1/4" BSP MALE	1
24	05.290.02	BONDED SEAL 1/4"BSP	1
30	03.028.12	RESTRICTOR 3/8" X 1/4"	1
31	03.028.12	RESTRICTOR 3/8" X 1/4"	1

*MAIN PART IN GROUP, RELATED PARTS HAVE SAME REFERENCE NUMBER

REMOTE CONTROL ASSEMBLY



REF	PART NO.	DESCRIPTION	QTY
76.271.01 REMOTE CONTROL ASSY 3 SERV			
01	41786.01	CONTROL BOX 3 (2+1) SERVICE	1
02	41786.32	DECAL LH	1
03	41786.34	JOYSTICK ASSY	1
04	41786.35	SWITCH ASSY COWL	1
05	41786.38	SWITCH ASSY HEAD FLOAT	1
06	41786.41	WIRE LOOM POWER	1
07	41786.44	WIRE LOOM 3 SERV	1
08	41786.47	PCB ASSY 3 SERVICE	1
09	41757.01	BRACKET - CONTROL BOX MOUNT	1
10	05.264.02	SETSCREW M8 X 25MM PLATED	2
10	05.281.01	FLAT WASHER 8MM PLATED	2
10	05.282.01	SPRING WASHER 8MM PLATED	2
10	05.948.07	WING NUT M8 - PLATED	2
*10	08.317.01	PLATE - CONTROL BOX	1
10	30.068.90	BOLT M6 X 55 MM 8.8 GRADE Z/P.	4
10	30.070.64	NUT NYLOC M6.Z/P.	4
11	30.209.71	CLAMP SINGLE 1"	4
12	30.209.73	COVER PLATE	2
15	41786.33	STOP SWITCH	1
20	08.987.01	CABLE ASSY - 2 CORE X 5.5M HVY	1

*MAIN PART IN GROUP. RELATED PARTS HAVE SAME REFERENCE NUMBER

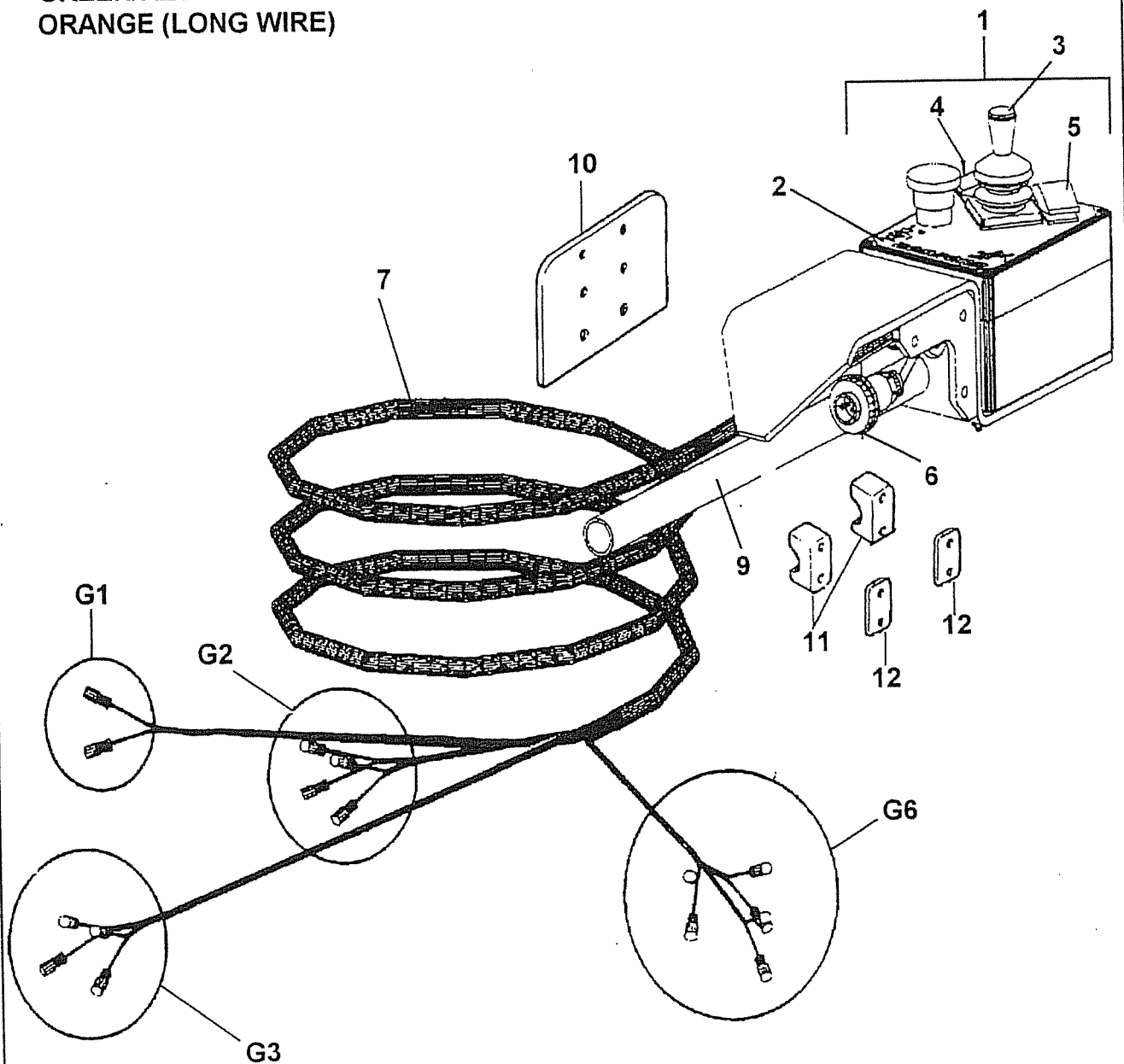
SERIES 3

GROUP 1 - DUMP
BLACK
PINK

GROUP 2 - 1ST RAM (PROP)
BLACK (X2)
RED/BLACK
RED/BLUE

GROUP 3 - 2ND RAM (PROP)
BLACK (X2)
RED/BROWN
RED/WHITE

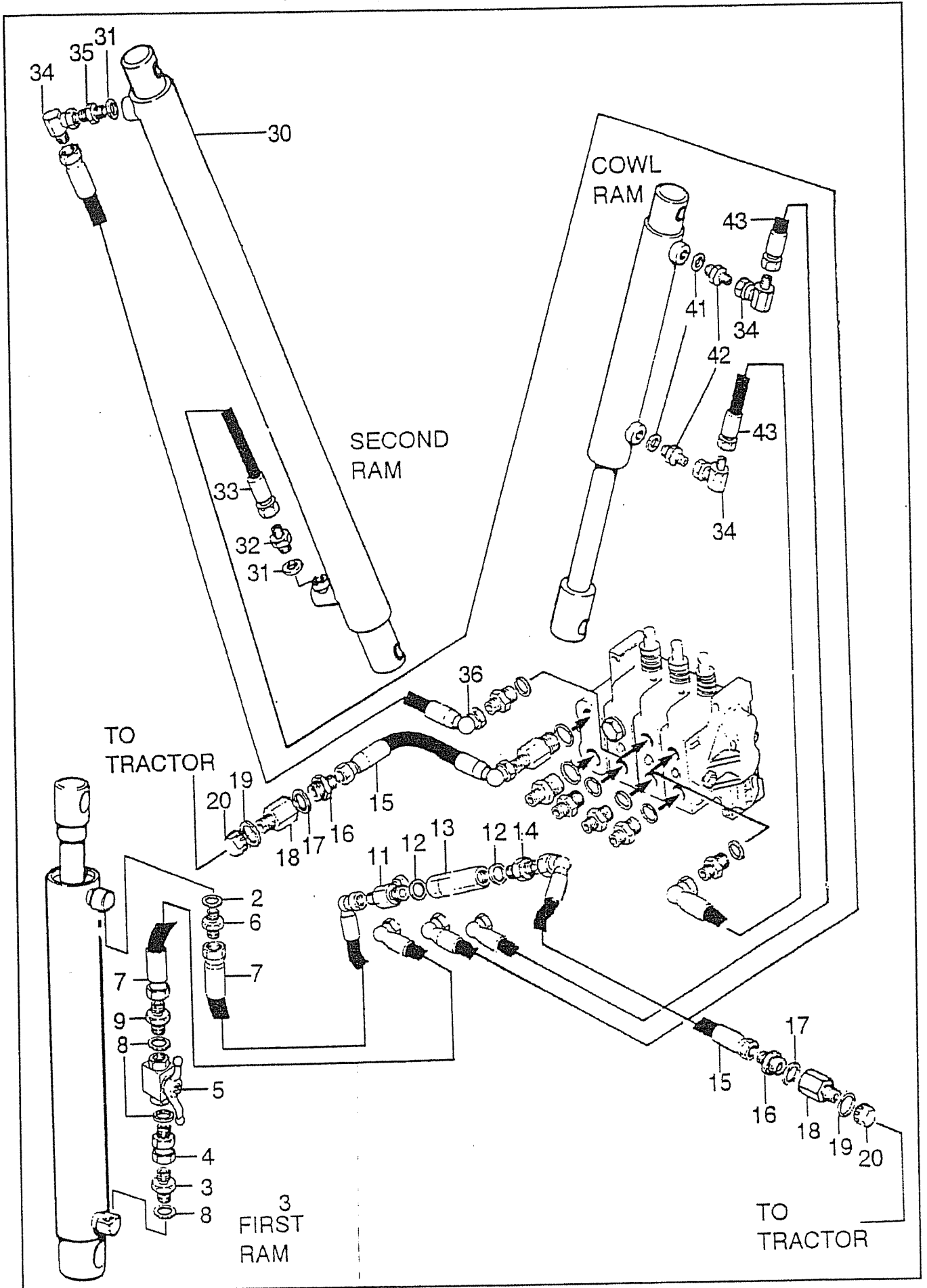
GROUP 6 - COWL & HEAD FLOAT (B/B)
BLACK (X3 - 2STD, 1 LONG)
GREEN
GREEN/RED
ORANGE (LONG WIRE)



REF	PART NO.	DESCRIPTION	QTY
74.920.01 CABLE ASSY TMC-LH (SP)			
*20	09.916.13	DECAL-LEVER OP.3 LEVER LH	1
21	05.839.03	SETSCREW M8 X 16MM PLATED	2
21	05.948.07	WING NUT M8 - PLATED	2
*21	41.181.01	BRACKET-3 LEVER MOUNTING LH	1
22	04.282.73	STUD - M6 X 149 (PLATED)	3
22	05.281.10	FLAT WASHER 6MM PLATED	3
22	05.282.07	SPRING WASHER 6MM PLATED	3
22	05.286.10	NUT M6 PLATED	6
*22	09.968.01	CABLE ASSY TMC - 2.5M BLK LNG	3
74.921.01 CABLE ASSY TMC-RH (SP)			
*20	09.916.14	DECAL-LEVER OP.3 LEVER RH	1
21	05.839.03	SETSCREW M8 X 16MM PLATED	2
21	05.948.07	WING NUT M8 - PLATED	2
*21	41.181.02	BRACKET-3 LEVER MOUNTING RH	1
22	04.282.73	STUD - M6 X 149 (PLATED)	3
22	05.281.10	FLAT WASHER 6MM PLATED	3
22	05.282.07	SPRING WASHER 6MM PLATED	3
22	05.286.10	NUT M6 PLATED	6
*22	09.968.01	CABLE ASSY TMC - 2.5M BLACK LG	3
74.924.01 CABLE ASSY TMC-LH (PAR)			
20	04.282.70	STUD - M6 X 191 PLATED	3
20	05.281.10	FLAT WASHER 6MM PLATED	3
20	05.282.07	SPRING WASHER 6MM PLATED	3
20	05.286.10	NUT M6 PLATED	6
*20	09.916.11	DECAL - LEVER OP. 4 LEVER LH	1
21	05.839.03	SETSCREW M8 X 16MM PLATED	2
21	05.948.07	WING NUT M8 - PLATED	2
*21	09.970.01	BRACKET - 4 LEVER MOUNTING LH	1
*22	09.968.01	CABLE ASSY TMC - 2.5M BLACK LG	3
*23	09.968.07	CABLE ASSY TMC - 2.5M RED SHRT	1

*MAIN PART IN GROUP, RELATED PARTS HAVE SAME REFERENCE NUMBER

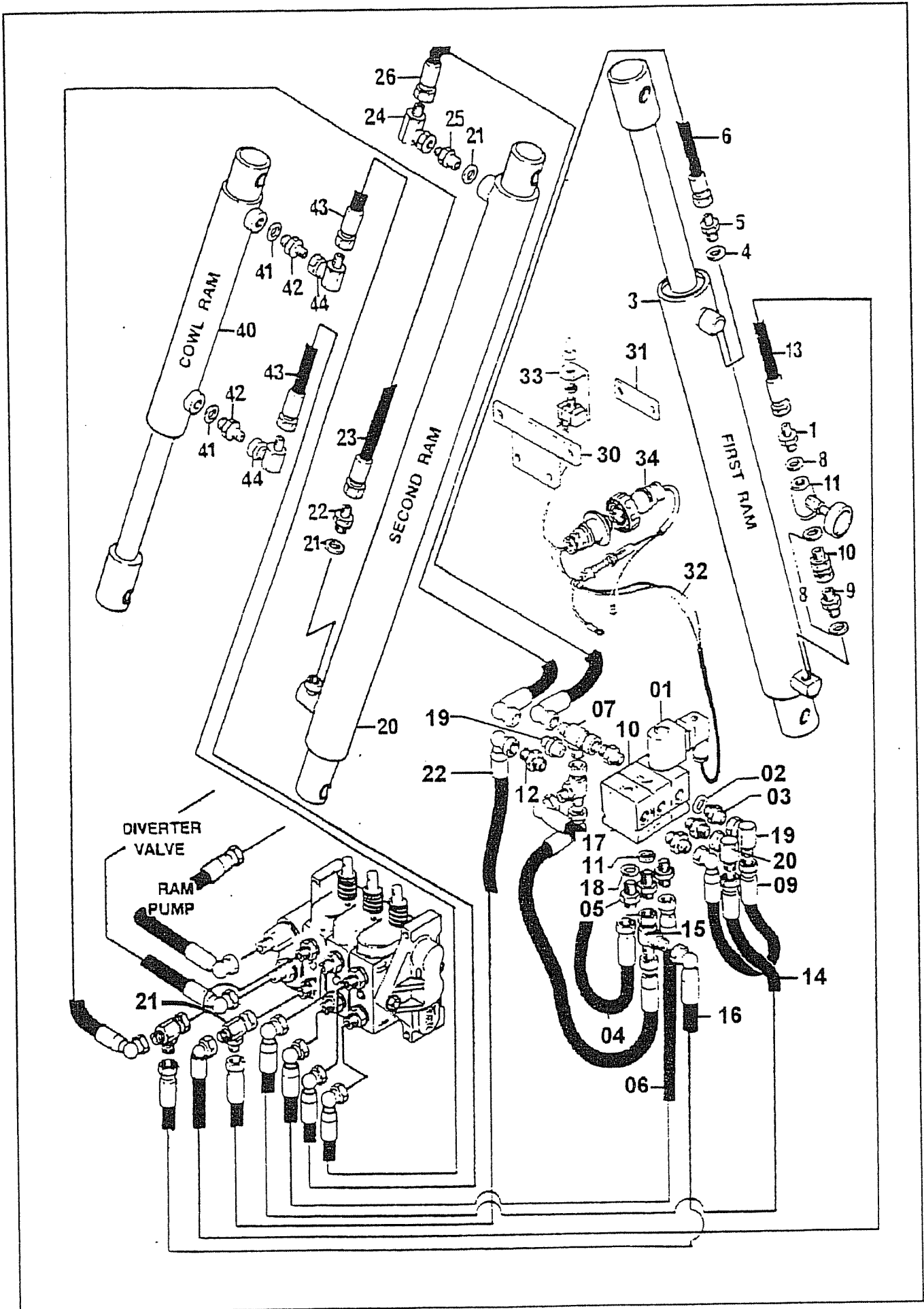
RAM CIRCUIT - CIRCIUT VERINS
(SINGLE PUMP) - (SIMPLE POMPE)



REF	PART NO.	DESCRIPTION	QTY
72.199.01 RAM CIRCUIT - FIRST RAM			
*01	07.831.01	RAM ASSY. 70 BORE X 615 STROKE	1
01	07.831.02	SEAL KIT (FOR 07.831.01)	0
*02	05.290.04	BONDED SEAL 3/8"BSP	3
*03	03.028.15	RESTRICTOR 3/8 X 3/8BSP 1.7MM	1
*04	02.714.01	ADAPTOR-SWIVEL ST 3/8BSP M/F	1
*05	08.200.01	VALVE - ISOLATING 3/8" BSP	1
*06	01.099.01	ADAPTOR 3/8BSP X1/4BSP	1
*07	10.002.31	HOSE 1/4"BSP ST X 90 S.SEAL 2100	2
*08	05.290.04	BONDED SEAL 3/8"BSP	1
*09	01.099.01	ADAPTOR 3/8BSP X1/4BSP	1
*11	04.056.04	TEE ADAPTOR 3/8"X 1/4"X 3/8"	1
*12	05.290.04	BONDED SEAL 3/8"BSP	2
*13	06.282.01	NON-RETURN VALVE - 3/8" BSP	1
*14	05.124.01	ADAPTOR 3/8" BSP X 3/8" BSP	1
*15	10.004.30	HOSE 3/8"BSP ST X 90 S.SEAL 2000	1
*16	05.124.01	ADAPTOR 3/8" BSP X 3/8" BSP	2
*17	05.290.04	BONDED SEAL 3/8"BSP	2
*18	05.225.01	ADAPTOR-RDCG.1/2"BSP X 3/8"BSP	2
*19	05.290.05	BONDED SEAL 1/2"BSP	2
19	05.300.03	PLUG-PLASTIC 1/2"BSP FEMALE	2
72.147.01 RAM CIRCUIT - SECOND RAM			
30	04.156.13	SEAL KIT (04156 D/A RAMS)	0
*30	04.156.38	RAM ASSY-D/A 60MM BORE X 580MM	1
*31	05.290.04	BONDED SEAL 3/8"BSP	2
*32	01.099.01	ADAPTOR 3/8BSP X1/4BSP	1
*33	10.002.43	HOSE 1/4"BSP STX90 S.SEAL 3300	0
*35	03.028.12	RESTRICTOR 3/8" X 1/4BSP 1.70	1
*36	10.002.37	HOSE 1/4"BSP STX90 S.SEAL 2700	0
72.144.02 RAM CIRCUIT - COWL RAM			
40	05.953.01	GREASE NIPPLE M6	2
40	04.156.13	SEAL KIT (04156 D/A RAMS)	0
*40	04.156.24	RAM ASSY-D/A 60MM BORE X 430MM	1
*41	05.290.04	BONDED SEAL 3/8"BSP	2
*42	03.028.08	RESTRICTOR 3/8" X 1/4"BSP 1.27	2
*43	10.002.63	HOSE 1/4"BSP STX90 S.SEAL 5300	2
*44	05.835.04	ADAPTOR - SWIVEL 90 1/4"BSP MF	1

*MAIN PART IN GROUP, RELATED PARTS HAVE SAME REFERENCE NUMBER

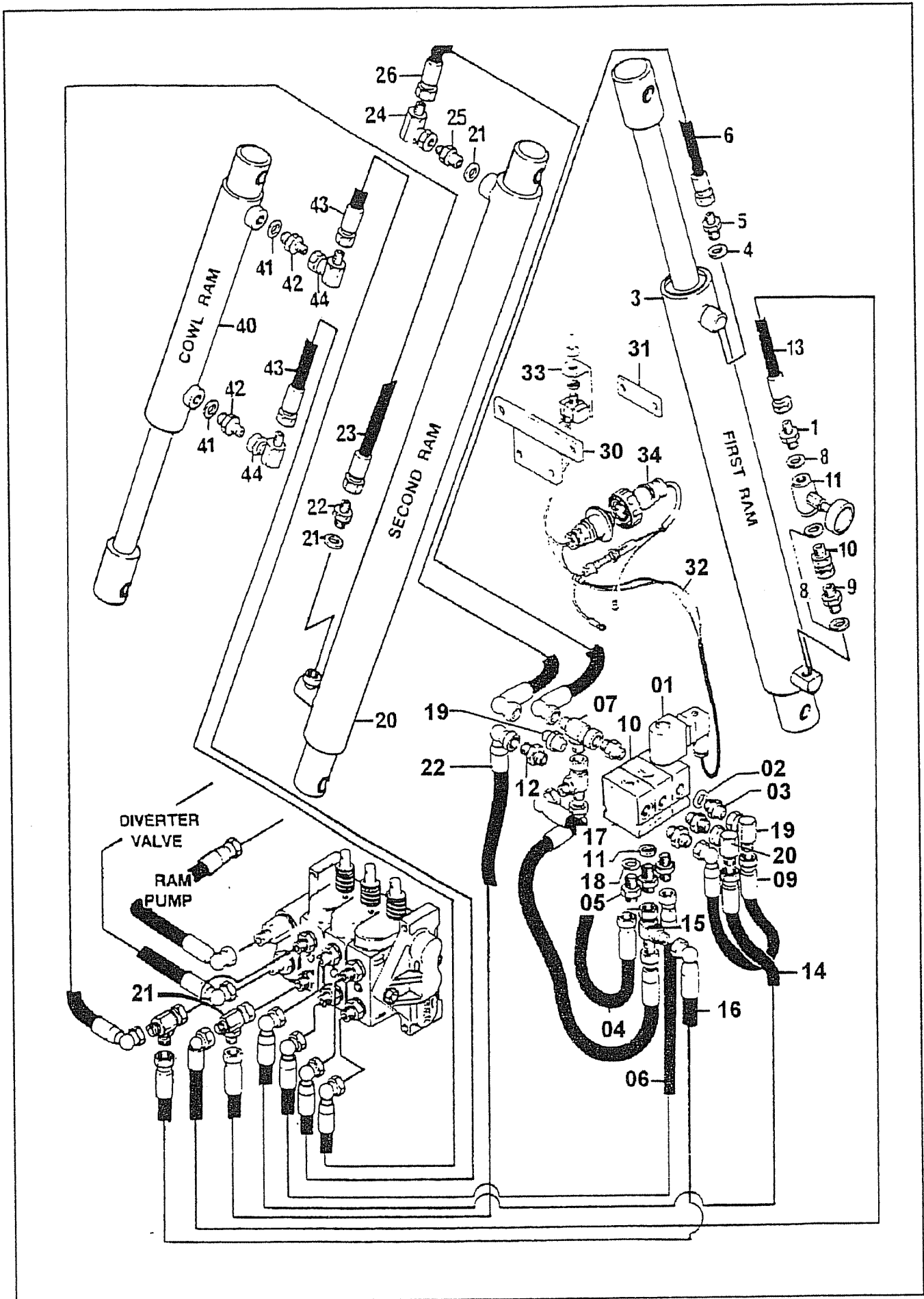
RAM CIRCUITS - CIRCUITS VERINS



REF	PART NO.	DESCRIPTION	QTY
72.146.01 RAM CIRCUIT - FIRST RAM			
*01	10.004.18	HOSE 3/8"BSP STX90 S.SEAL 900	1
*02	10.004.12	HOSE 3/8"BSP STX90 S.SEAL 600	1
*03	07.831.01	RAM ASSY. 70 BORE X 615 STROKE	1
03	07.831.02	SEAL KIT (FOR 07.831.01)	1
*04	05.290.04	BONDED SEAL 3/8"BSP	1
*06	10.002.34	HOSE 1/4"BSP STX90 S.SEAL 2400	1
*07	04.056.04	TEE ADAPTOR 3/8"X 1/4"X 3/8"	1
*08	05.290.04	BONDED SEAL 3/8"BSP	3
*09	03.028.15	RESTRICTOR 3/8 X 3/8BSP 1.7MM	1
*10	02.714.01	ADAPTOR-SWIVEL ST 3/8BSP M/F	1
*11	08.200.01	VALVE - ISOLATING 3/8" BSP	1
*12	01.099.01	ADAPTOR 3/8BSP X 1/4BSP	2
*13	10.002.34	HOSE 1/4"BSP ST X 90 S.SEAL 2400	1
72.147.01 RAM CIRCUIT - SECOND RAM			
20	04.156.13	SEAL KIT (04156 D/A RAMS)	0
*20	04.156.38	RAM ASSY-D/A 60MM BORE X 580MM	1
*21	05.290.04	BONDED SEAL 3/8"BSP	2
*22	01.099.01	ADAPTOR 3/8BSP X 1/4BSP	1
*23	10.002.43	HOSE 1/4"BSP STX90 S.SEAL 3300	1
*25	03.028.12	RESTRICTOR 3/8" X 1/4BSP 1.70	1
*26	10.002.37	HOSE 1/4"BSP ST X 90 S.SEAL 2700	1
72.144.02 RAM CIRCUIT - COWL RAM			
	05.953.01	GREASE NIPPLE M6	2
40	04.156.13	SEAL KIT (04156 D/A RAMS)	0
*40	04.156.24	RAM ASSY-D/A 60MM BORE X 430MM	1
*41	05.290.04	BONDED SEAL 3/8"BSP	2
*42	03.028.08	RESTRICTOR 3/8" X 1/4"BSP 1.27	2
*43	10.002.63	HOSE 1/4"BSP STX90 S.SEAL 5300	2
*44	05.835.04	ADAPTOR - SWIVEL 90 1/4"BSP MF	1

*MAIN PART IN GROUP, RELATED PARTS HAVE SAME REFERENCE NUMBER

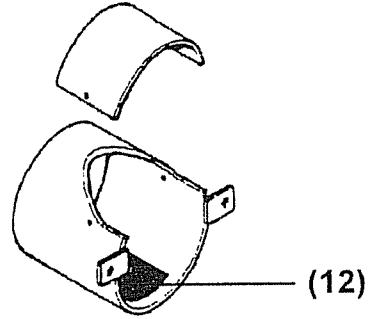
RAM CIRCUITS - CIRCUITS VERINS



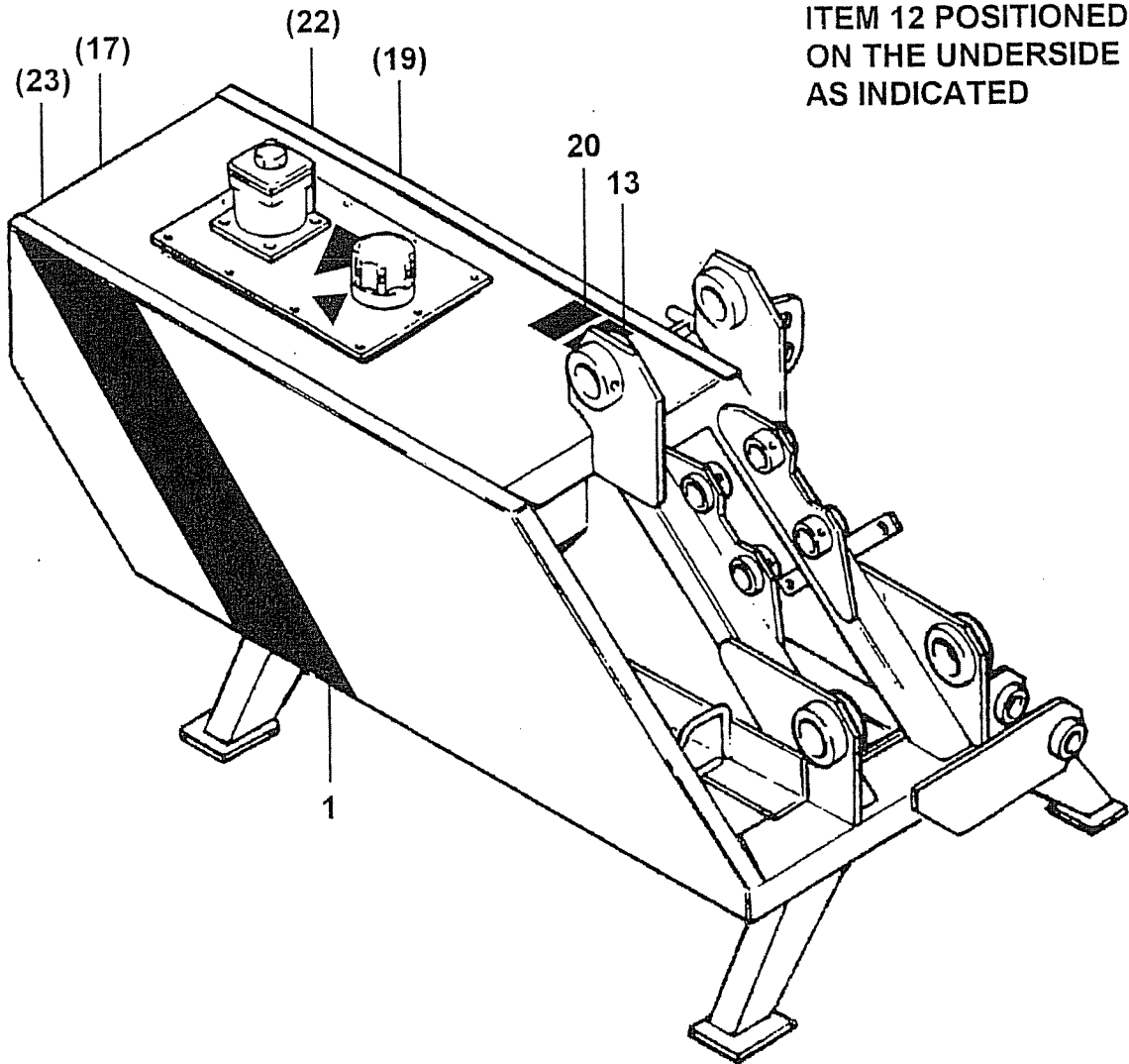
REF	PART NO.	DESCRIPTION	QTY
	72.195.01	B467 SEMI-PARALLEL HYD ASSY	
02	05.290.04	BONDED SEAL 3/8"BSP	3
03	01.099.01	ADAPTOR 3/8BSP X1/4BSP	2
04	10.002.08	HOSE 1/4"BSP STX90 S.SEAL 400	1
05	03.028.12	RESTRICTOR 3/8" X 1/4BSP 1.70	1
06	10.002.12	HOSE 1/4"BSP STX90 S.SEAL 600	1
07	04.056.10	ADAPTOR - TEE 1/4"BSP F/M/M	2
08	10.002.06	HOSE 1/4"BSP STX90 S.SEAL 300	1
09	10.002.08	HOSE 1/4"BSP STX90 S.SEAL 400	1
11	05.290.04	BONDED SEAL 3/8"BSP	3
12	01.099.01	ADAPTOR 3/8BSP X1/4BSP	3
13	05.835.04	ADAPTOR - SWIVEL 90 1/4"BSP MF	1
14	10.002.12	HOSE 1/4"BSP STX90 S.SEAL 600	1
15	04.056.10	ADAPTOR - TEE 1/4"BSP F/M/M	1
16	10.002.12	HOSE 1/4"BSP STX90 S.SEAL 600	1
17	08.619.05	MODULAR PO CHECK VALVE ASSY.	1
18	05.290.04	BONDED SEAL 3/8"BSP	3
19	01.099.01	ADAPTOR 3/8BSP X1/4BSP	3
20	05.835.04	ADAPTOR - SWIVEL 90 1/4"BSP MF	1
21	04.056.10	ADAPTOR - TEE 1/4"BSP F/M/M	1
22	10.002.12	HOSE 1/4"BSP ST X 90 S.SEAL 600	1
30	04.282.59	STUD M6 X 120	2
30	05.282.07	SPRING WASHER 6MM PLATED	2
30	05.286.10	NUT M6 PLATED	2
*30	08.630.01	BRACKET - VALVE MOUNTING	1
31	08.629.01	PLATE - VALVE CLAMP	1
32	07.835.02	GASKET FOR HIRSCHMAN CONNECTOR	0
32	07.835.03	SCREW FOR HIRSCHMANN CONNECTOR	0
*32	08.675.01	SWITCH AND CABLE ASSEMBLY	1
33	08.676.01	PLATE - SWITCH	1
*34	06.616.01	CABLE ASSY - 2 CORE X 5.5M	1
34	06.616.02	FUSE - 15A IN-LINE	0
50	08.619.06	MODULAR SOLENOID VALVE ASSY.	1
59	08.619.04	SEAL KIT-3 PORT MOD. VALVES	0
*59	08.619.05	MODULAR PO CHECK VALVE ASSY.	1

*MAIN PART IN GROUP. RELATED PARTS HAVE SAME REFERENCE NUMBER

ITEMS 23, 17, 22 & 19 ARE
POSITIONED ON TOP EDGE
OF TANK AS INDICATED



ITEM 12 POSITIONED
ON THE UNDERSIDE
AS INDICATED



REF	PART NO.	DESCRIPTION	QTY
72.141.01 DECALS - BASE LH			
	09.810.01	DECAL-GREASE (8 HOURS)	9
	09.843.04	DECAL - LIFT POINT 750 KG	1
01	07.522.11	DECAL - BOMFORD B467 LH	1
74.912.01 ENGINEERING DECALS			
10	08.632.01	DECAL - TRANSPORT	1
11	09.030.01	DECAL - OIL FILTER	1
12	09.811.01	DECAL - MAX PTO SPEED 540	0
12	09.811.04	DECAL - MAX PTO SPEED 540 ACW	1
13	09.821.01	DECAL - READ INSTRUCTION BOOK	1
14	09.821.02	DECAL - STAY CLEAR O'HD CABLES	1
15	09.821.03	DECAL - DON'T STAND UNDER ARMS	1
16	09.821.07	DECAL - RESIDUAL PRESSURE	1
17	09.821.09	DECAL - HOT SURFACE	1
18	09.821.10	DECAL - KEEP NUTS TIGHT	1
19	09.821.16	DECAL - KEEP OUT ZONE	1
20	09.821.20	DECAL - SHAFT ENTANGLEMENT	1
21	09.821.23	DECAL - PINCH POINT	1
22	09.845.01	DECAL - APPROVED OILS	1
23	09.846.01	DECAL - OIL FILTER CHANGE	1
72.142.01 DECALS - BASE RH			
	09.810.01	DECAL-GREASE (8 HOURS)	9
	09.843.04	DECAL - LIFT POINT 750 KG	1
01	07.522.12	DECAL - BOMFORD B467 RH	1
72.141.02 DECALS - BASE LH			
	09.810.01	DECAL-GREASE (8 HOURS)	9
	09.843.04	DECAL - LIFT POINT 750 KG	1
01	07.522.15	DECAL - BOMFORD B467LE LH	1
10	09.093.01	DECAL - AUTO LEVELLING	1

ITEM 15 POSITIONED ON
SIDE OF SECOND ARM
AS INDICATED

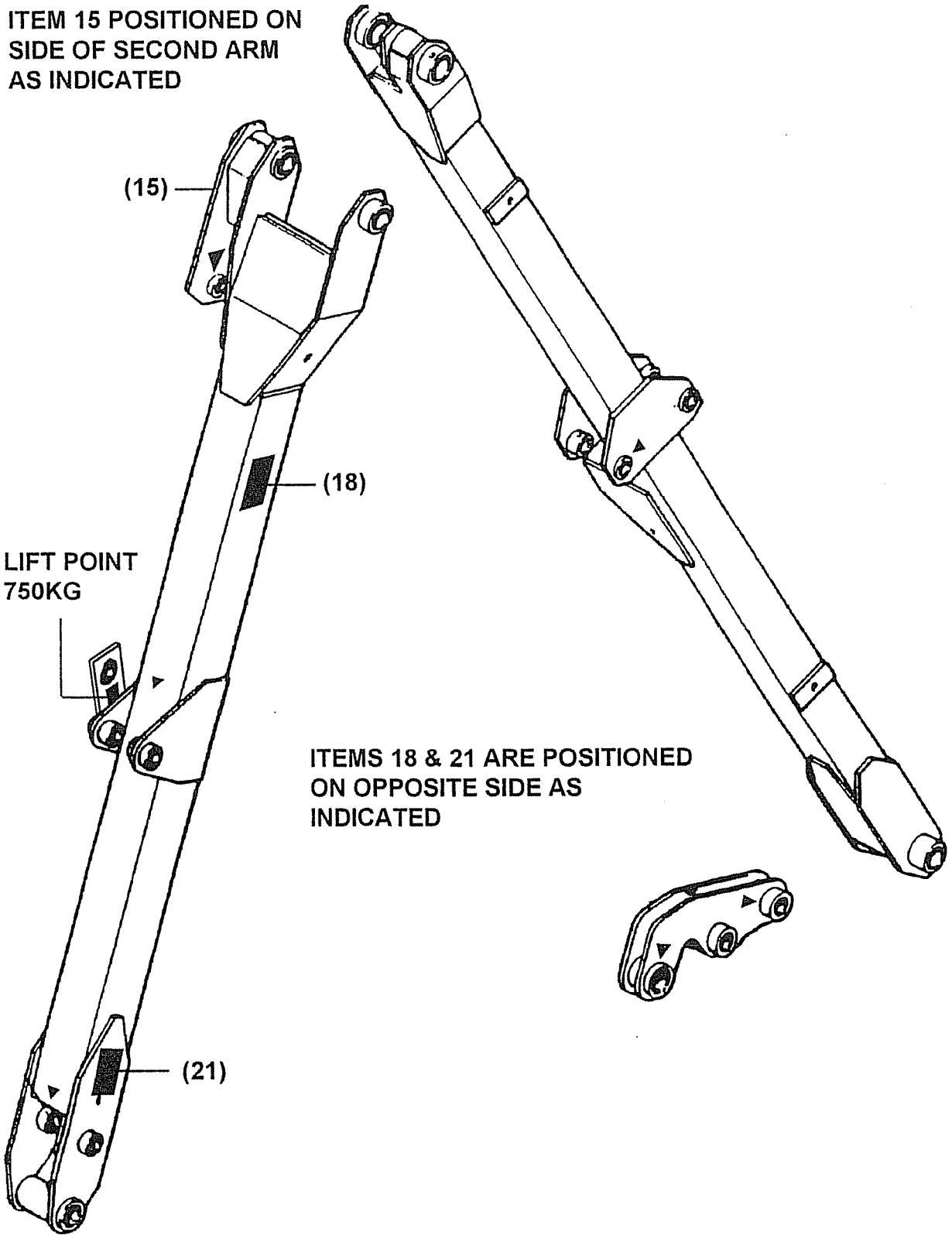
(15)

(18)

LIFT POINT
750KG

ITEMS 18 & 21 ARE POSITIONED
ON OPPOSITE SIDE AS
INDICATED

(21)



REF	PART NO.	DESCRIPTION	QTY
72.141.01 DECALS - BASE LH			
	09.810.01	DECAL-GREASE (8 HOURS)	9
	09.843.04	DECAL - LIFT POINT 750 KG	1
01	07.522.11	DECAL - BOMFORD B467 LH	1
74.912.01 ENGINEERING DECALS			
10	08.632.01	DECAL - TRANSPORT	1
11	09.030.01	DECAL - OIL FILTER	1
12	09.811.01	DECAL - MAX PTO SPEED 540	0
12	09.811.04	DECAL - MAX PTO SPEED 540 ACW	1
13	09.821.01	DECAL - READ INSTRUCTION BOOK	1
14	09.821.02	DECAL - STAY CLEAR O'HD CABLES	1
15	09.821.03	DECAL - DON'T STAND UNDER ARMS	1
16	09.821.07	DECAL - RESIDUAL PRESSURE	1
17	09.821.09	DECAL - HOT SURFACE	1
18	09.821.10	DECAL - KEEP NUTS TIGHT	1
19	09.821.16	DECAL - KEEP OUT ZONE	1
20	09.821.20	DECAL - SHAFT ENTANGLEMENT	1
21	09.821.23	DECAL - PINCH POINT	1
22	09.845.01	DECAL - APPROVED OILS	1
23	09.846.01	DECAL - OIL FILTER CHANGE	1
72.142.01 DECALS - BASE RH			
	09.810.01	DECAL-GREASE (8 HOURS)	9
	09.843.04	DECAL - LIFT POINT 750 KG	1
01	07.522.12	DECAL - BOMFORD B467 RH	1
72.141.02 DECALS - BASE LH			
	09.810.01	DECAL-GREASE (8 HOURS)	9
	09.843.04	DECAL - LIFT POINT 750 KG	1
01	07.522.15	DECAL - BOMFORD B467LE LH	1
10	09.093.01	DECAL - AUTO LEVELLING	1