

PM1749

B458
ARM MOWER

PARTS MANUAL

ISSUE 9

IMPORTANT

NOTE HERE THE SERIAL NUMBER OF YOUR MACHINE AND ALWAYS QUOTE IT IN ANY COMMUNICATION WITH US OR YOUR DEALER. THIS IS PARTICULARLY IMPORTANT WHEN ORDERING SPARES. REMEMBER TO INCLUDE ALL NUMBERS AND LETTERS.

MACHINE SERIAL NUMBERS _____

THE INFORMATION GIVEN THROUGHOUT THIS MANUAL IS CORRECT AT THE TIME OF PUBLICATION. HOWEVER, IN THE COURSE OF CONSTANT DEVELOPMENT OF BOMFORD TURNER MACHINES, CHANGES IN SPECIFICATION ARE INEVITABLE. SHOULD YOU FIND THE INFORMATION GIVEN IN THIS BOOK TO BE AT VARIANCE WITH THE MACHINE IN YOUR POSSESSION, YOU ARE ADVISED TO CONTACT THE BOMFORD TURNER SERVICE DEPARTMENT WHERE UP-TO-DATE INFORMATION WILL BE PROVIDED.

THE MANUAL CAN CONTAIN STANDARD AND OPTIONAL FEATURES AND IS NOT TO BE USED AS A MACHINE SPECIFICATION.

THE MACHINE HAS BEEN TESTED AND IS CONSIDERED SAFE IF CAREFULLY USED. ENSURE YOUR OPERATOR IS PROPERLY TRAINED IN ITS USE AND MAINTENANCE.

IMPORTANT

NOTEZ ICI LES NUMEROS DE SERIE DE VOTRE MACHINE ET MENTIONNEZ LES DANS TOUTE COMMUNICATION AVEC NOS SERVICES OU VOTRE REVENDEUR. CECI EST IMPORTANT POUR LA COMMANDE DE PIECES DETACHEES. PENSEZ A NOTER TOUS LES NUMEROS ET TOUTES LES LETTERS.

NUMEROS DE SERIE DE LA MACHINE _____

LES INFORMATIONS DONNEES DANS CE MANUEL SONT CORRECTES CEPENDANT, DU FAIT DE DEVELOPPEMENT CONSTANT DES MACHINES BOMFORD TURNER.

CHANGEMENTS DANS LES CARACTERISTIQUES SONT INEVITABLES.

SI VOUS TROUVEZ QUE LES INFORMATIONS DONNEES NE CORRESPONDENT PAS A VOTRE MACHINE VEUILLEZ CONTACTER LE SERVICE DES REPARATIONS OU DES INFORMATIONS PLUS RECENTES VOUS SERONT DONNEES. CE MANUEL PEUT MONTRER DES CARACTERISTIQUES OPTIONNELLES ET NE PEUT PAS ETRE CONSIDERE COMME SPECIFICATION DE LA MACHINE.

CETTE MACHINE A ETE TESTEE, ET ELLE EST CONSIDEREE COMME FIABLE A CONDITION D'UNE BONNE UTILISATION. ASSUREZ-VOUS QUE VOTRE OPERATEUR EST QUALIFIE EN CE QUI CONCERNE L'UTILISATION DE LA MACHINE AINSI QUE SON ENTRETIEN.

WICHTIG

TRAGEN SIE HIER DIE SERIENNUMMERN IHRER MASCHINE EIN UND GEBEN SIE DIESE IMMER AN, WENN SIE SICH AN UNS ODER IHREN HÄNDLER WENDEN. DAS IST BESONDERS BEI ERSATZTEILBESTELLUNGEN WICHTIG. VERGESSEN SIE NICHT, ALLE ZAHLEN UND BUCHSTABEN ZU NOTIEREN.

SERIENNUMMERN DER MASCHINE _____

DIE ANGABEN IN DIESEM HANDBUCH SIND BEI VERÖFFENTLICHUNG KORREKT. AUFGRUND DER KONSTANTEN WEITERENTWICKLUNG VON BOMFORD TURNER MASCHINEN SIND JEDOCHÄNDERUGDEN IN DER SPEZIFIKATION UNVERMEIDLICH. WENN DIE INFORMATION IN DIESEM HANDBUCH NICHT MIT IHRER MASCHINE ÜBEREINSTIMMEN, NEHMEN SIE BITTE KONTAKT MIT DER BOMFORD TURNER KUNDENDIENSTABTEILUNG AUF, DIE IHNEN GERNE DIE AKTUELLEN INFORMATION ZUKOMMEN LÄSST.

DAS HANDBUCH KANN SOWOHL BESCHREIBUNGEN FÜR DIE STANDARD AUSFÜHRUNG ALS AUCH FÜR ZUBEHÖR ENTHALTEN UND IST NICHT ALS MASCHINENSPEZIFIKATION ZU VERWENDET.

DIE MASCHINE IST GETESTET UND BEI SACHGEMÄSSEM BETRIEB ALS SICHER BEFUNDEN WORDEN. SORGEN SIE DAFÜR, DASS IHR BEDIENPERSONAL IN ANWENDUNG UND WARTUNG RICHTIG GESCHULT WIRD.

B458 RANGE OF ARM MOWERS

PAGE ILLUSTRATION NUMBERS SHOWN ARE USED ONLY FOR REFERENCE PURPOSES AND SHOULD NOT BE USED FOR ORDERING SPARE PARTS.

PLEASE ENSURE THE CORRECT PART NUMBER AND DESCRIPTION IS GIVEN WHEN ORDERING SPARE PARTS.

For machines with serial numbers commencing from ...1850H...

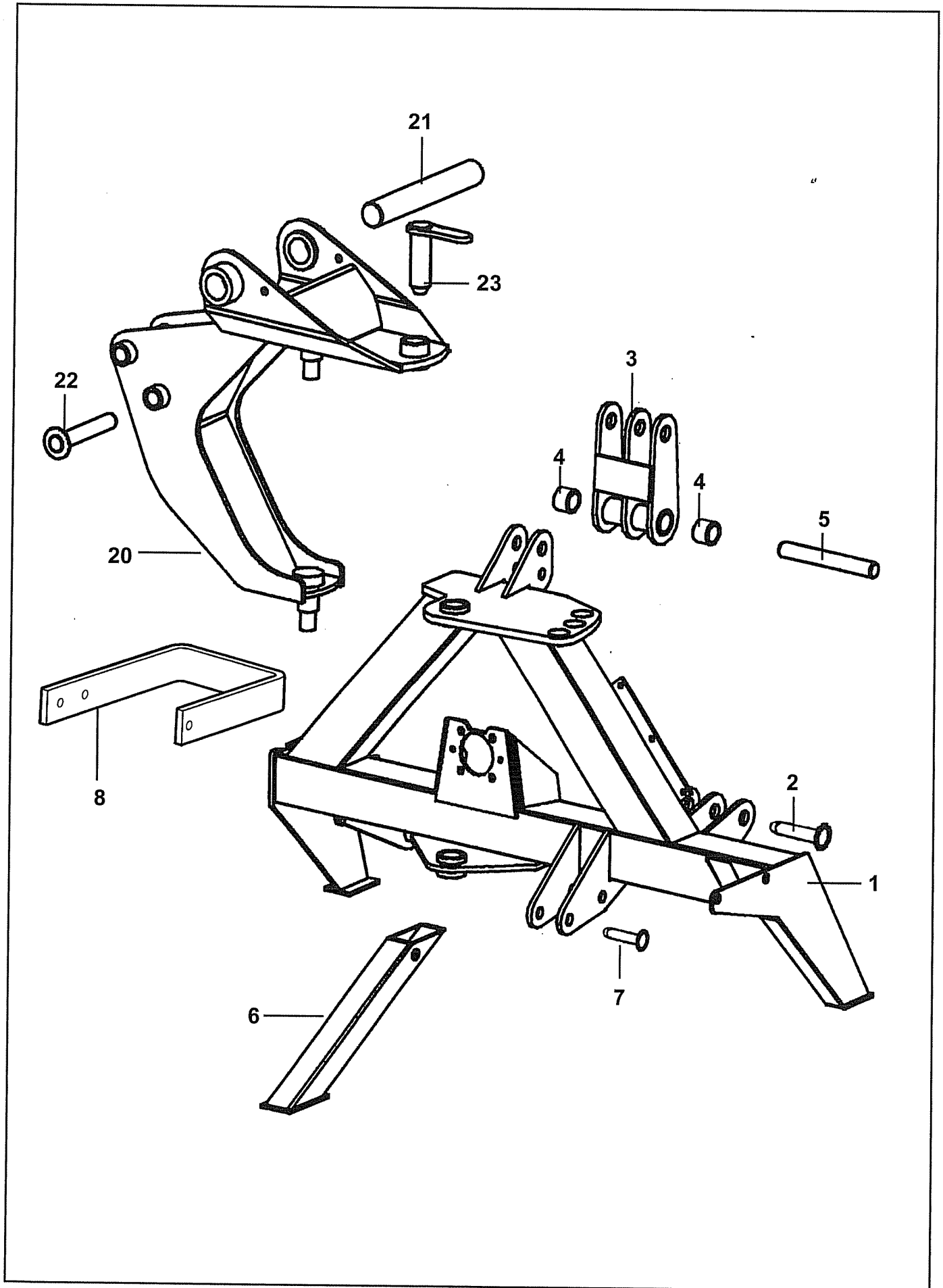
PAGE NO	DESCRIPTION
2 - 1 TO 2 - 2	MAINFRAME ASSEMBLY KINGPOST ASSEMBLY
3 - 1 TO 3 - 2	3 POINT LINKAGE KITS
4 - 1 TO 4 - 2	TANK ASSEMBLY
5 - 1 TO 5 - 4	ARM ASSEMBLIES COWL BRACKET AND LINKAGE
6 - 1 TO 6 - 3	SINGLE PUMP & GEARBOX ASSEMBLIES
7 - 1 TO 7 - 3	TWIN PUMPS & GEARBOX ASSEMBLIES
8 - 1 TO 8 - 3	TWIN PUMPS & GEARBOX ASSEMBLIES (DSR)
9 - 1 TO 9 - 2	CONTROL VALVE ASSEMBLY - CABLE
10-1 TO 10-2	CONTROL VALVE ASSEMBLY - ELECTRIC
11-1 TO 11-2	CABLE ASSEMBLIES
12-1 TO 12-6	REMOTE CONTROL ASSEMBLY - EPPII REMOTE CONTROL ASSEMBLY - CAB SIDE MOUNTING REMOTE CONTROL ASSEMBLY - CAB SEAR MOUNTING
13-1 TO 13-2	RAM CIRCUITS
14-1 TO 14-2	ACCUMULATOR KIT
15-1 TO 15-2	HOSE COVERS
16-1 TO 16-4	DECALS

IMPORTANT

THIS MACHINE IS FOR VEGETATION CONTROL AND MUST NOT BE USED FOR ANY OTHER PURPOSE

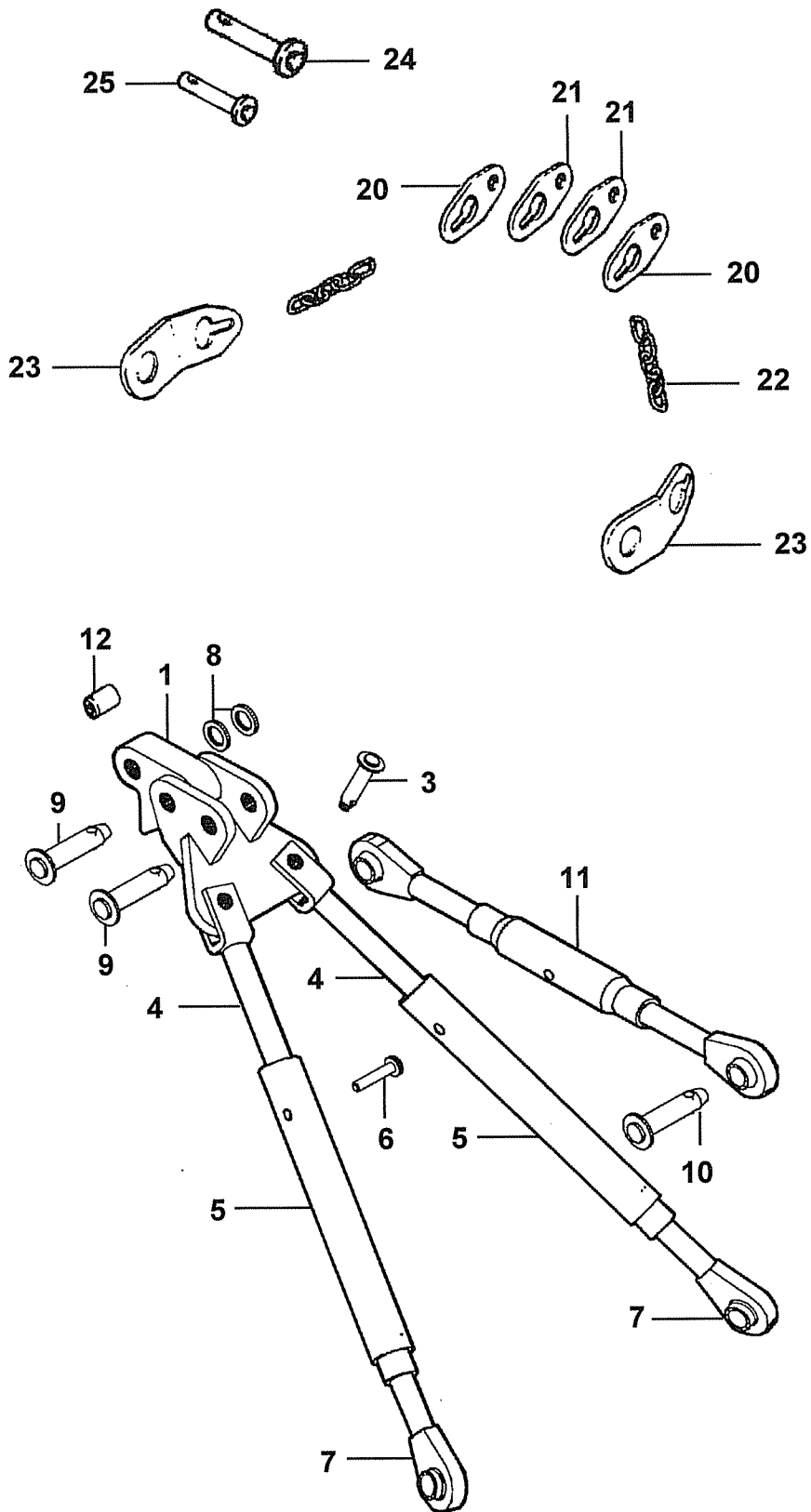
IT IS POTENTIALLY HAZARDOUS TO FIT OR USE ANY PARTS OTHER THAN GENUINE BOMFORD TURNER PARTS

THE COMPANY DISCLAIMS ALL LIABILITY FOR THE CONSEQUENCES OF SUCH USE WHICH, IN ADDITION, VOIDS THE MACHINE WARRANTY



REF	PART NO	DESCRIPTION	QTY
76.380.01 & 76.380.02 - MAINFRAME ASSY LH & RH			
*01	42110.01	MAINFRAME - LH	1
01	42110.02	MAINFRAME - RH	1
01	05.227.01	HAMMER DRIVE SCREW NO.6 X 3/8"	2
01	05.774.06	SERIAL NO.PLATE BOMFORD TURNER	1
*02	07.574.01	PIN - 1.1/8" X 172MM	2
02	00.372.01	LINCH PIN	2
*03	42118.01	LINK - BREAKOUT LH	1
03	42118.02	LINK - BREAKOUT RH	1
03	05.953.03	GREASE NIPPLE M10	1
04	08.297.04	BUSH - PLASTIC 37 X 30 X 30	2
*05	03.654.75	PIN 30DIA X 224	1
05	05.287.01	SELF-LOCKING NUT M8 PLATED	1
05	05.291.06	BOLT M8 X 55MM PLATED	1
*06	42119.01	STAND	1
06	05.287.05	SELF-LOCKING NUT M20 PLATED	1
06	05.292.44	BOLT M20 X 110MM PLATED	1
*07	03.652.08	PIN - 20DIA X 102	1
07	00.372.01	LINCH PIN	1
*08	45261.02	STOP - BRACKET	1
08	05.264.23	SETSCREW M12 X 30MM	3
08	05.282.03	SPRING WASHER 12MM	3
08	05.286.03	NUT M12	3
76.381.01 KINGPOST ASSY			
*20	42111.01	KINGPOST	1
20	05.281.18	FLAT WASHER 30MM - PLATED	2
20	05.287.07	SELF-LOCKING NUT M30	2
*21	03.657.21	PIN 50 DIA X 340	1
21	05.287.03	SELF-LOCKING NUT M12 PLATED	1
21	05.292.22	BOLT M12 X 90MM PLATED	1
*22	03.654.77	PIN - 30MM DIA	1
22	05.287.01	SELF-LOCKING NUT M8 PLATED	1
22	05.291.06	BOLT M8 X 55MM PLATED	1
*23	42219.01	PIN - SLEW LOCKING	1
23	11.192.91	PIN - LOCKING 3/8" DIA	1

*MAIN PART IN GROUP, RELATED PARTS HAVE SAME REFERENCE NUMBER

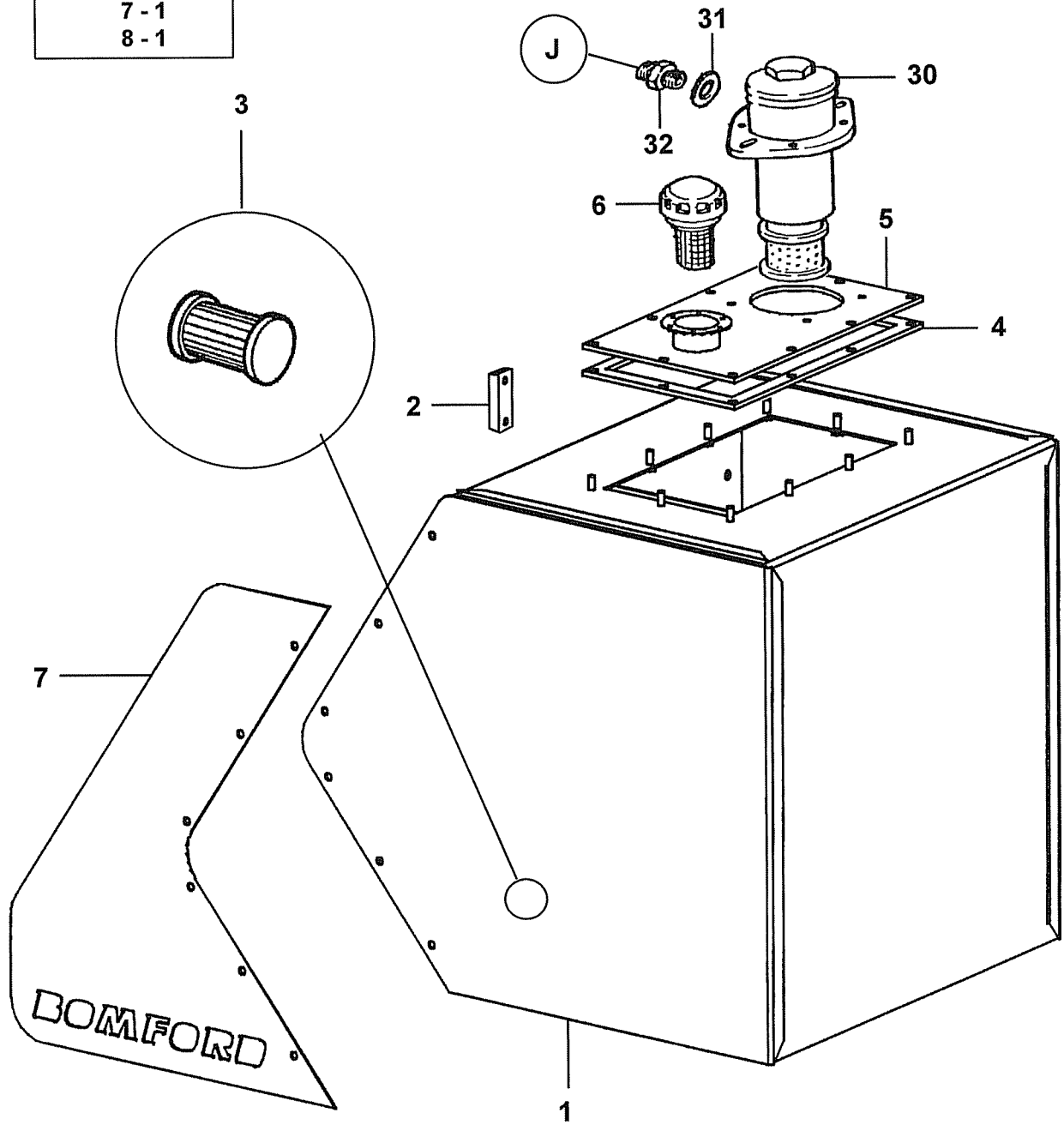


REF	PART NO	DESCRIPTION	QTY
76.418.01 3 PT LINKAGE KIT - CHAIN			
20	09.999.01	PLATE STABILIZER CAT2	2
21	10.100.01	PLATE STABILIZER CAT1	2
22	10.105.01	CHAIN 8DIA X 1800	1
23	09.998.01	PLATE STABILIZER	2
*24	42250.01	PIN - CAT II TOP LINK	1
24	00.372.01	LINCH PIN	1
*25	03.874.01	PIN 3/4"DIA X 140MM	1
25	00.372.01	LINCH PIN	1
76.458.01 3 PT LINKAGE KIT			
*01	42411.01	PLATE 40 - 138 X 119	1
+01	42280.01	PLATE 40 - 138 X 119	1
+01	42441.01	PLATE 40 - 158 X 118	1
02	42276.01	BRACKET	1
03	03.652.12	PIN DIA 20 X 65 LG	2
03	05.201.11	TENSION PIN 5MM X 45MM PLATED	2
03	05.281.05	FLAT WASHER 20MM PLATED	2
04	42317.01	ROD INNER	2
05	42316.01	TUBE OUTER	2
06	05.964.01	SPRING COTTER 3.6MM DIA	2
06	42315.01	BRT RND 12 DIA X 68	2
07	07.731.01	BALL END - A-FRAME	2
08	42452.01	CDS 1 1/2 X 1 1/32 - 5PLATED	2
09	00.372.01	LINCH PIN	2
09	03.873.01	PIN 1"DIA X 140MM	2
10	00.372.01	LINCH PIN	1
10	42250.01	PIN - CATII TOP LINK	1
11	07.584.02	TOP LINK - HEAVY DUTY	1

+ *Dependent on tractor make/model*

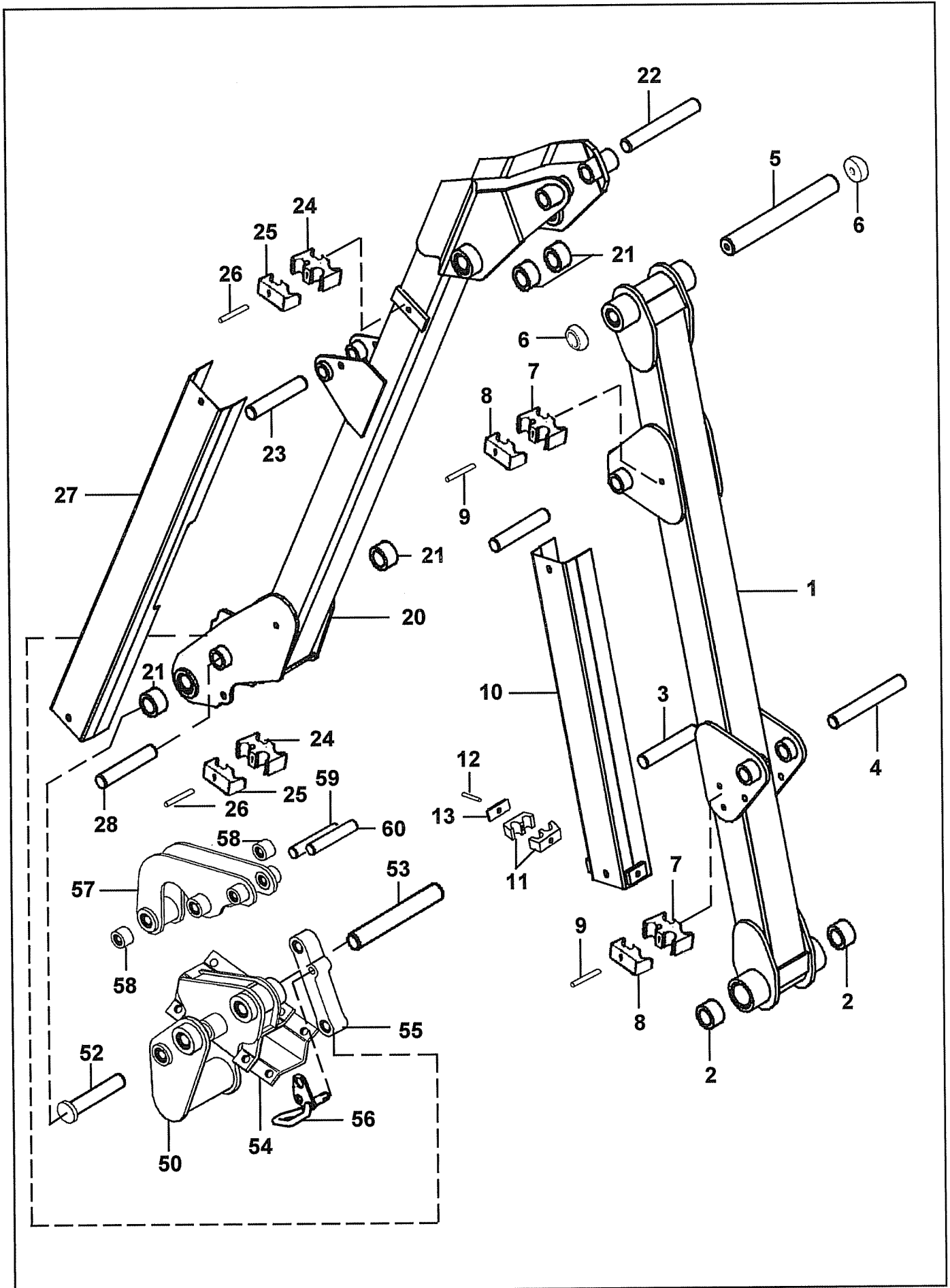
***MAIN PART IN GROUP, RELATED PARTS HAVE SAME REFERENCE NUMBER**

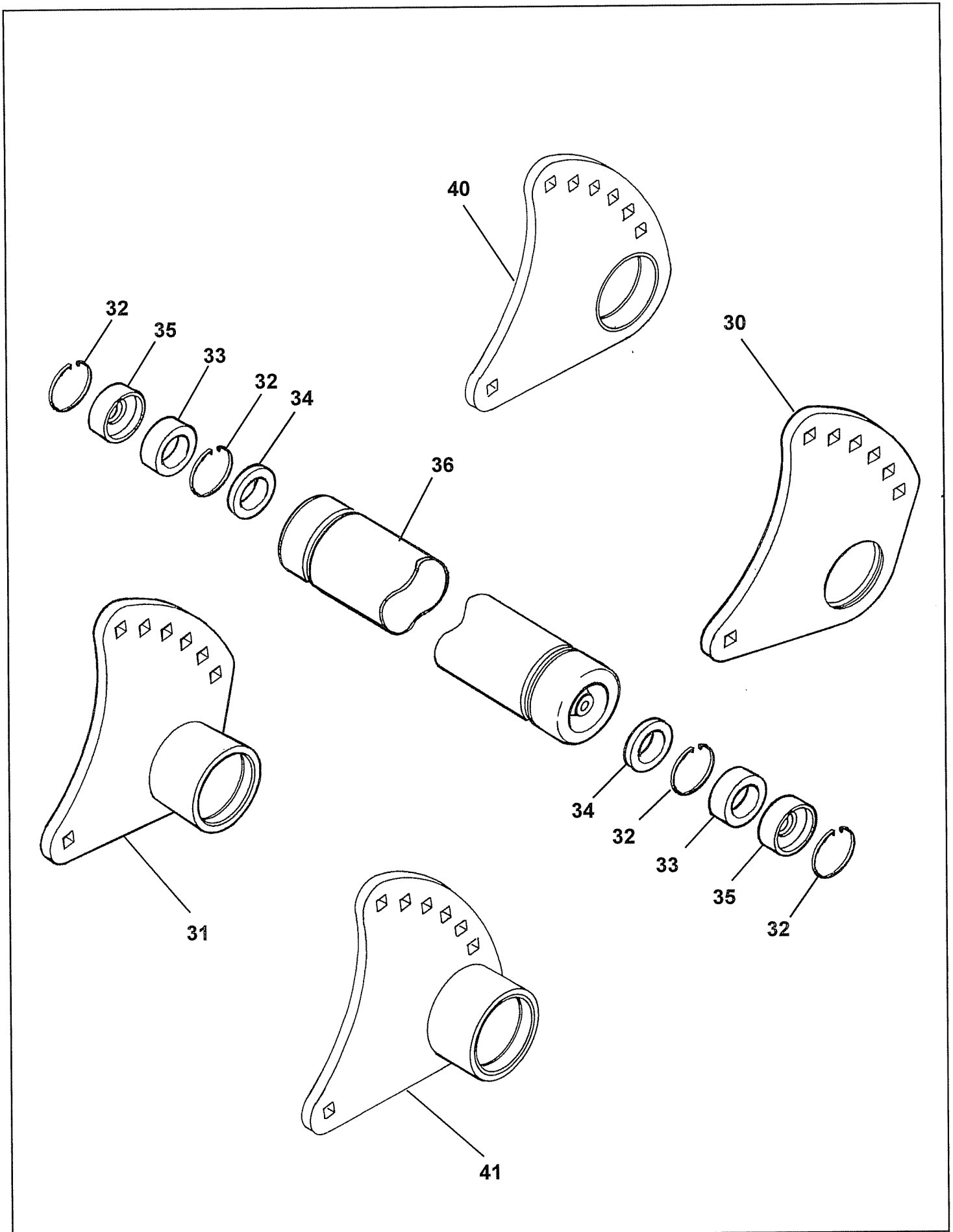
SEE PAGE
J 6-1
7-1
8-1



REF	PART NO	DESCRIPTION	QTY
76.382.01, 76.382.02 - TANK ASSEMBLY LH & RH			
*01	42112.01	TANK - OIL	1
01	05.264.02	SETSCREW M8 X 25MM PLATED	3
01	05.264.35	SETSCREW M16 X 40MM PLATED	2
01	05.287.01	SELF-LOCKING NUT M8 PLATED	3
01	05.287.04	SELF-LOCKING NUT M16 PLATED	2
02	08.921.01	FLUID LEVEL GAUGE	1
03	8401047	UC-SE-1324 SUCTION	1
04	08.605.01	GASKET	1
*05	41.255.01	PLATE - FILLER/FILTER	1
05	05.281.01	FLAT WASHER 8MM PLATED	10
05	05.286.01	NUT M8 PLATED	10
06	06.966.02	FILLER BREATHER CAP & STRAINER	1
*07	42113.01	COVER - LH	1
07	42113.02	COVER - RH	1
07	05.287.01	SELF-LOCKING NUT M8 PLATED	6
07	05.625.31	BUTTON HD CAPSCREW M8 X 20 PLT	6
74.803.01 FILTER ASSEMBLY			
*30	41.041.01	FILTER UCC REF 3301.346	1
30	41.041.02	ELEMENT UCC REF MFR 3300	-
30	05.264.01	SETSCREW M8 X 20MM PLATED	4
30	05.282.01	SPRING WASHER 8MM PLATED	4
31	05.290.08	BONDED SEAL 1.1/4"BSP	1
32	05.131.01	ADAPTOR 1" X 1.1/4" BSP	1

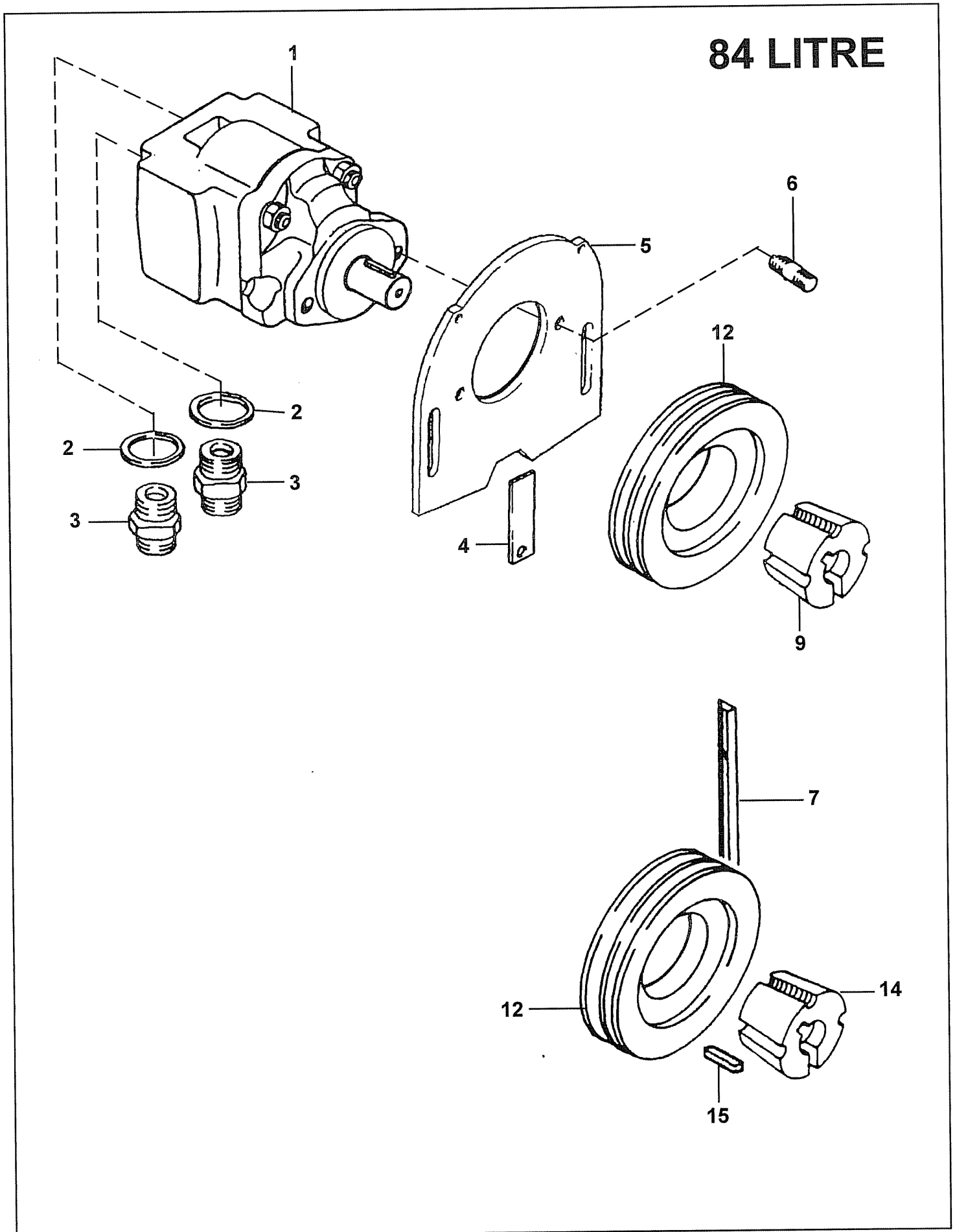
***MAIN PART IN GROUP, RELATED PARTS HAVE SAME REFERENCE NUMBER**





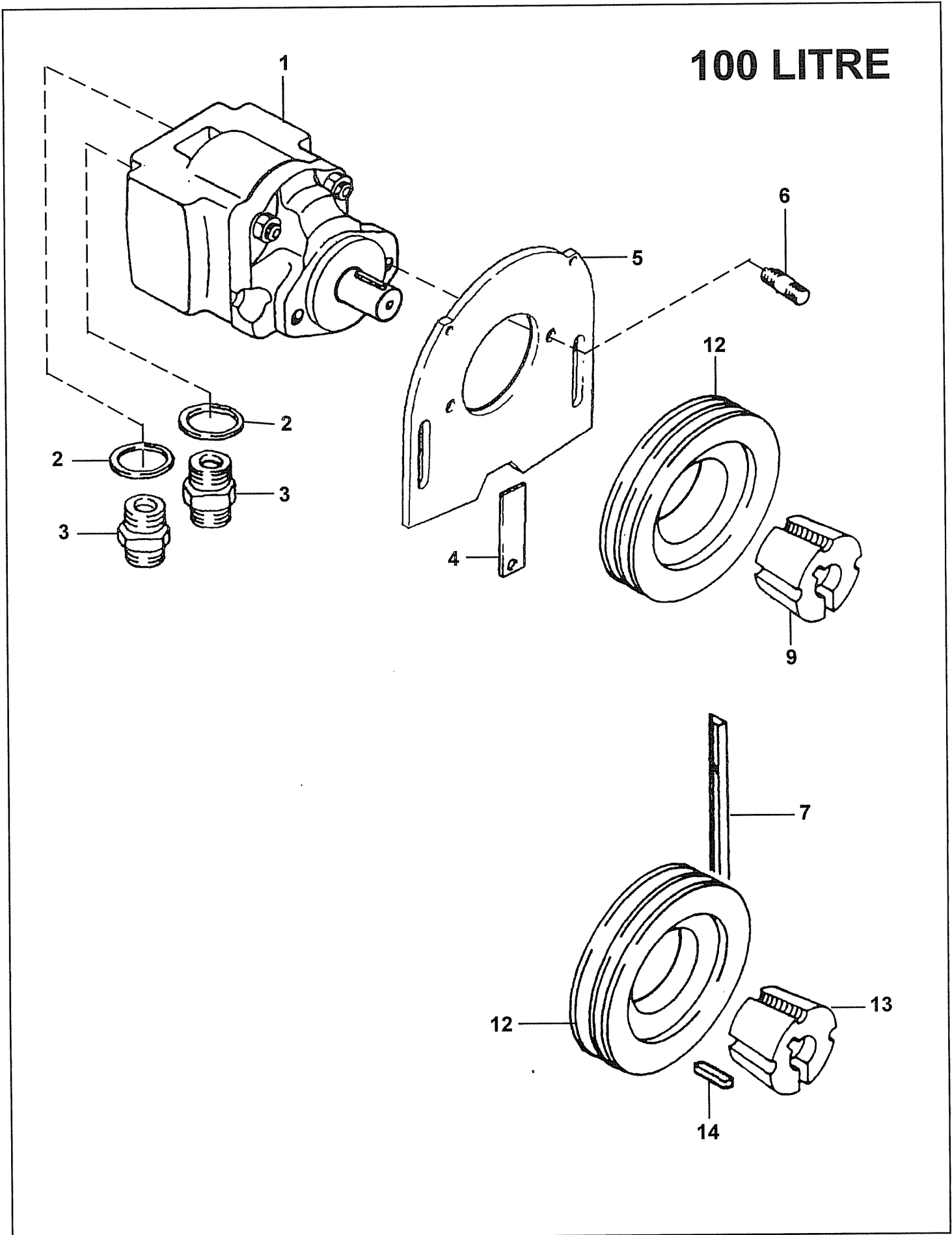
REF	PART NO.	DESCRIPTION	QTY
76.284.02/10 ROLLER ASSEMBLY 150 DIA			
30	41897.07	BRACKET - ROLLER 150 LH	1
31	41897.08	BRACKET - ROLLER 150 RH	1
32	05.959.05	CIRCLIP - INT 62MM DIA	4
33	42954.01	BEARING - D/ROW BALL 30MM BORE	2
34	04.164.04	SEAL-LIP 40DIA X 10MM	2
35	05.953.01	GREASE NIPPLE M6	4
35	41851.01	CAP - BEARING RETAINER	2
36	05.234.01	WASHER 44.5 X 13 X 5MM PLATED	2
36	05.282.03	SPRING WASHER 12MM PLATED	2
36	05.625.10	SKT CAPSCRW M12X30DOME HD PLT	2
*36	42955.04	ROLLER 150 DIA - 1200	1
36	42955.05	ROLLER 150 DIA - 1500	1
76.284.04/11 ROLLER ASSY 115 DIA			
40	41975.05	BRACKET - ROLLER 115 LH	1
41	41975.06	BRACKET - ROLLER 115 RH	1
32	05.959.05	CIRCLIP - INT 62MM DIA	4
33	42954.01	BEARING - D/ROW BALL 30MM BORE	2
34	04.164.04	SEAL-LIP 40DIA X 10MM	2
35	05.953.01	GREASE NIPPLE M6	4
35	41851.01	CAP - BEARING RETAINER	2
36	05.234.01	WASHER 44.5 X 13 X 5MM PLATED	2
36	05.282.03	SPRING WASHER 12MM PLATED	2
36	05.625.10	SKT CAPSCRW M12X30DOME HD PLT	2
*36	42056.01	ROLLER 115 DIA - 1200	1
36	42056.02	ROLLER 115 DIA - 1500	1

*MAIN PART IN GROUP, RELATED PARTS HAVE SAME REFERENCE NUMBER



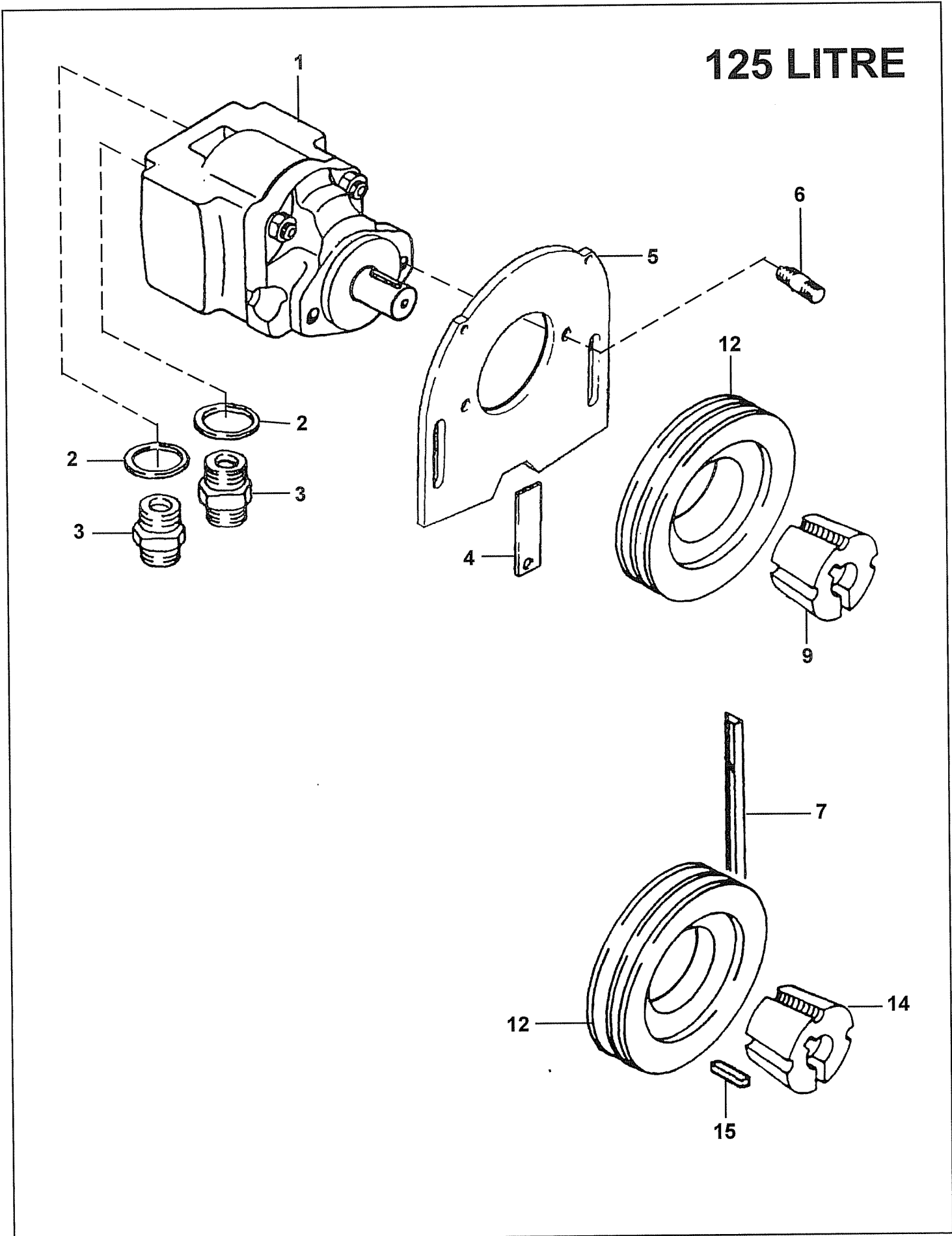
REF	PART NO.	DESCRIPTION	QTY
STANDARD 1200 AND ISMP 76.285.03 & 07 MOTOR 84L PULLEY & BELT			
01	01.071.13	KEY-SEP 1/4"X1/4"X1"	-
*01	09.773.05	MOTOR ASSEMBLY	1
01	09.773.02	SEAL KIT FOR 09.773 MOTOR	-
02	05.290.06	BONDED SEAL 3/4" BSP	2
03	05.373.01	ADAPTOR 3/4"BSP X 1"BSP	2
04	07.833.01	PLATE - COVER	1
05	05.281.03	FLAT WASHER 12MM PLATED	2
05	05.282.03	SPRING WASHER 12MM PLATED	2
05	05.286.03	NUT M12 PLATED	2
05	05.625.12	SOCKET DOMED SCREW M12 X 35 PLT	2
*05	41893.01	PLATE - MOTOR MOUNTING GEAR	1
*06	04.282.56	STUD M10 X 37MM	2
06	05.282.02	SPRING WASHER 10MM PLATED	2
06	05.286.02	NUT M10 PLATED	2
07	05.299.36	V-BELT XPA 1060 QUAD POWER	3
08	03.795.01	PULLEY-VEE 160MM PCD X 3SPA	1
09	05.424.01	TAPER-LOCK 7/8"BORE (2517)	1
12	03.795.03	PULLEY-VEE 140MM PCD X 3SPA	1
14	05.424.17	TAPER LOCK 45MM BORE	1
15	05.960.13	KEY 14MM X 9MM X 45MM	1

*MAIN PART IN GROUP, RELATED PARTS HAVE REFERENCE NUMBER



REF	PART NO.	DESCRIPTION	QTY
STANDARD 1200 AND ISMP			
76.285.02 & 06 MOTOR 100L PULLEY & BELT			
01	01.071.13	KEY-SEP 1/4" X 1/4" X 1"	-
01	09.773.02	SEAL KIT FOR 09.773 MOTOR	-
*01	09.773.03	MOTOR ULTRA 2TR041	1
01	41905.01	DECAL - 100	1
02	05.290.06	BONDED SEAL 3/4"BSP	2
03	05.373.01	ADAPTOR 3/4"BSP X 1"BSP	2
04	07.833.01	PLATE - COVER	1
05	05.281.03	FLAT WASHER 12MM PLATED	2
05	05.282.03	SPRING WASHER 12MM PLATED	2
05	05.286.03	NUT M12 PLATED	2
05	05.625.12	SOCKET DOMED SCREW M12 X 35 PLT	2
*05	41893.01	PLATE - MOTOR MOUNTING GEAR	1
*06	04.282.56	STUD M10 X 37MM	2
06	05.282.02	SPRING WASHER 10MM PLATED	2
06	05.286.02	NUT M10 PLATED	2
07	05.299.36	V-BELT XPA 1060 QUAD POWER	3
08	03.795.01	PULLEY-VEE 160MM PCD X 3SPA	1
09	05.424.07	TAPER-LOCK 1"BORE (2517)	1
12	03.795.03	PULLEY-VEE 140MM PCD X 3SPA	1
13	05.424.17	TAPER LOCK 45MM BORE	1
14	05.960.13	KEY 14MM X 9MM X 45MM	1

*MAIN PART IN GROUP, RELATED PARTS HAVE REFERENCE NUMBER

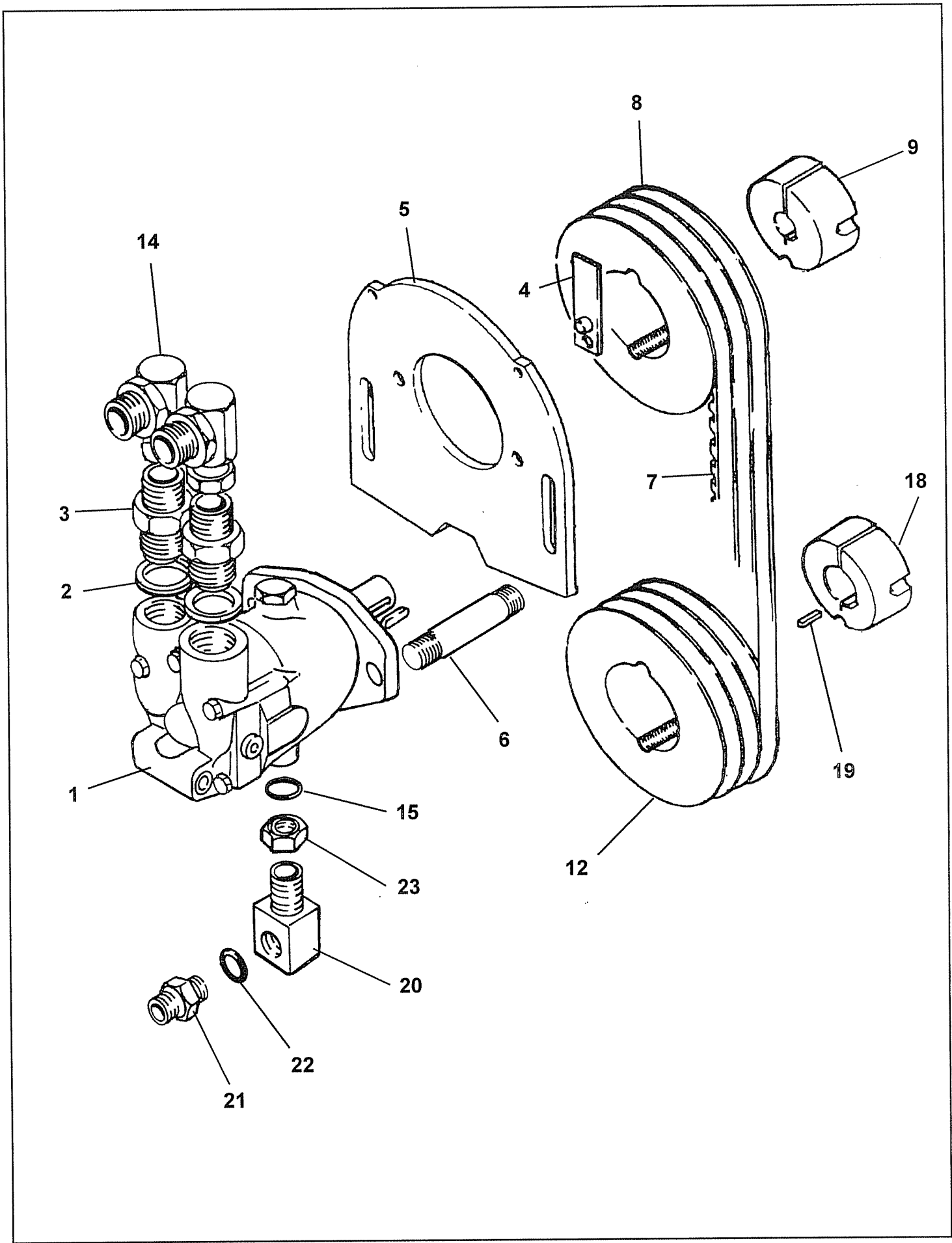


REF	PART NO.	DESCRIPTION	QTY
STANDARD 1200 AND ISMP			
76.285.05 MOTOR 125L PULLEY & BELT			
01	01.071.13	KEY-SEP 1/4" X 1/4" X 1"	-
01	09.773.02 ▲	SEAL KIT FOR 09.773 MOTOR	-
*01	09.773.04 ▲	MOTOR ULTRA 2TR044	1
01	41903.01 ■	SEAL KIT FOR 41903 MOTOR	1
01	41903.02 ■	GEAR MOTOR 125L CAST IRON	1
01	41905.02	DECAL - 125	1
02	05.290.06	BONDED SEAL 3/4"BSP	2
03	05.373.01	ADAPTOR 3/4"BSP X 1"BSP	2
04	07.833.01	PLATE - COVER	1
05	05.281.03	FLAT WASHER 12MM PLATED	2
05	05.282.03	SPRING WASHER 12MM PLATED	2
05	05.286.03	NUT M12 PLATED	2
05	05.625.12	SOCKET DOMED SCREW M12X35 PLT	2
*05	41893.01	PLATE - MOTOR MOUNTING GEAR	1
*06	04.282.56	STUD M10 X 37MM	2
06	05.282.02	SPRING WASHER 10MM PLATED	2
06	05.286.02	NUT M10 PLATED	2
07	05.299.36	V-BELT XPA 1060 QUAD POWER	3
08	03.795.01	PULLEY-VEE 160MM PCD X 3SPA	1
09	05.424.07	TAPER-LOCK 1"BORE (2517)	1
10	05.424.17	TAPER-LOCK 45MM BORE (2517)	1
11	05.960.13	KEY-S/REP 14MM X 9MM X 45MM	1
12	03.795.03	PULLEY-VEE 140MM PCD X 3SPA	1

■ For Heads prior to Serial No. 1175KA/99

▲ For Heads from Serial No. 1176KA/99

*MAIN PART IN GROUP, RELATED PARTS HAVE SAME REFERENCE NUMBER



REF	PART NO.	DESCRIPTION	QTY
STANDARD 1200 AND ISMP			
76.285.04 & 08 MOTOR PISTON PULLEY & BELT			
01	8301295	PISTON MOTOR-SIDE PORT	1
01	8699238	SEAL KIT FOR 8301295	-
02	8600916	O RING GASKET 1.5/16"UNF	2
03	08.955.25	ADAPTOR 1"BSP X 1.5/16"-12 JIC	2
04	42186.01	PLATE - COVER	1
05	05.281.03	FLAT WASHER 12MM PLATED	2
05	05.282.03	SPRING WASHER 12MM PLATED	2
05	05.286.03	NUT M12 PLATED	2
05	05.625.12	SOCKET DOMED SCREW M12 X 35 PLT	2
05	41894.01	PLATE - MOTOR MOUNTING PISTON	1
06	04.282.17	STUD M12 X 41MM	2
06	05.282.03	SPRING WASHER 12MM PLATED	2
06	05.286.03	NUT M12 PLATED	2
07	05.299.56	BELT XPA1140 QUAD POWER GATES	3
08	03.795.01	PULLEY-VEE 160MM PCD X 3SPA	1
09	05.424.02	TAPER-LOCK 1.1/8"BORE (2517)	1
12	03.795.03	PULLEY-VEE 140MM PCD X 3SPA	1
14	05.835.02	ADAPTOR-SWIVEL 90 1"BSP M/F	2
15	8600908	O RING GASKET 3/4"UNF	1
18	05.424.17	TAPER-LOCK 45MM BORE (2517)	1
19	05.960.13	KEY-S/REP 14MM X 9MM X 45MM	1
20	42739.01	ADAPTOR	1
21	03.195.01	NUT	1
22	05.290.04	BONDED WASHER	1
23	01.510.07	NUT	1

*MAIN PART IN GROUP, RELATED PARTS HAVE SAME REFERENCE NUMBER

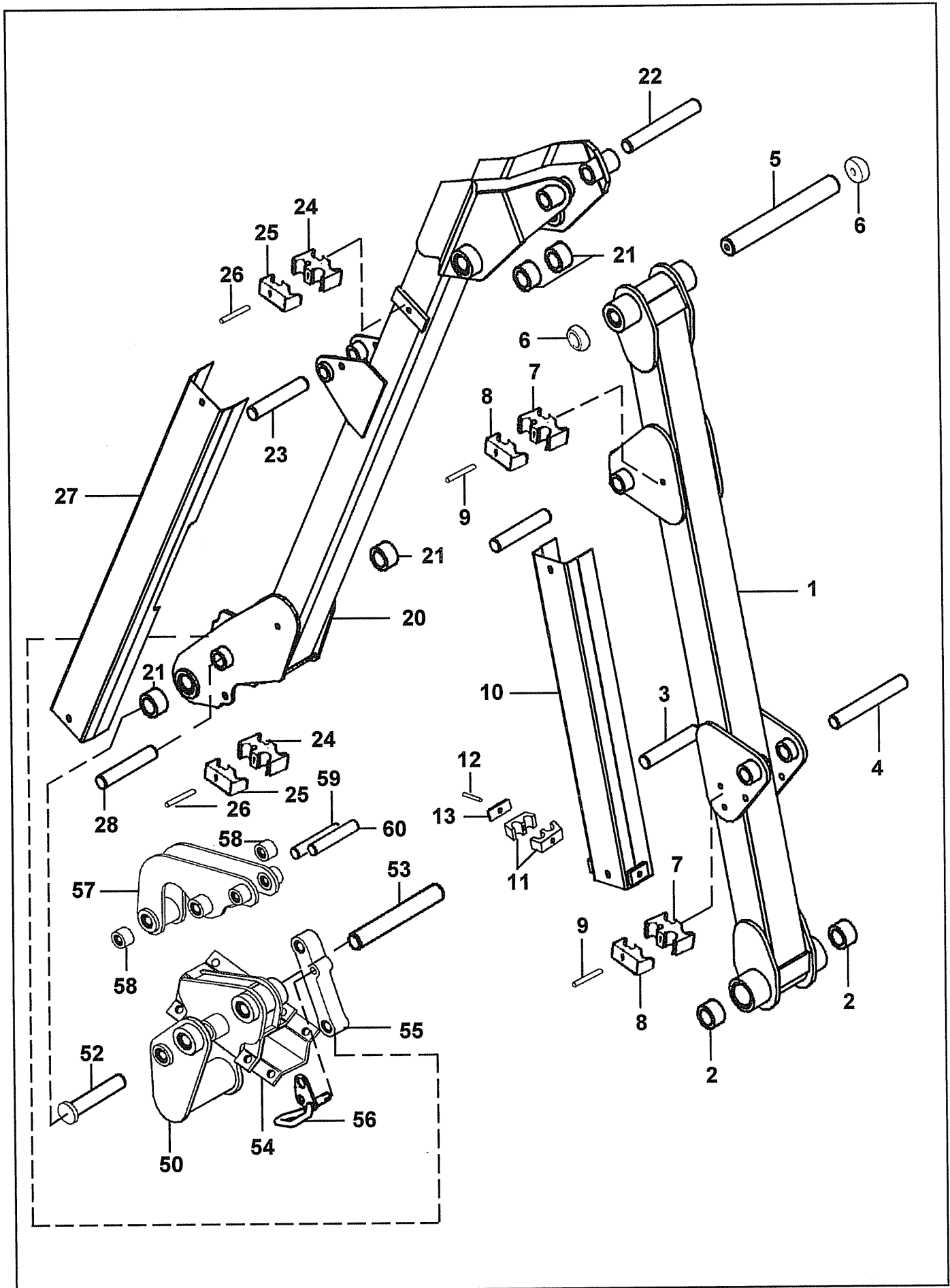
REF	PART NO	DESCRIPTION	QTY
76.383.03/04 ARM ASSEMBLY - FIRST			
*01	42115.02	ARM - FIRST	1
01	05.953.02	GREASE NIPPLE M10 90 DEG	1
02	08.297.01	BUSH - PLASTIC 60 X 50 X 50	2
*03	03.654.78	PIN - DIA 30 X 160	1
03	05.287.01	SELF-LOCKING NUT M8 PLATED	1
03	05.291.06	BOLT M8 X 55MM PLATED	1
*04	03.654.78	PIN - DIA 30 X 160	1
04	05.287.01	SELF-LOCKING NUT M8 PLATED	1
04	05.291.06	BOLT M8 X 55MM PLATED	1
*05	43292.02	PIN DIA 40 X 328	1
05	05.953.01	GREASE NIPPLE M6	2
05	05.287.02	SELF-LOCKING NUT M10 PLATED	1
05	05.292.11	BOLT M10 X 80MM PLATED	1
07	06.430.18	HOSE CLAMP-LOWER	2
08	06.430.17	HOSE CLAMP - UPPER	2
09	04.282.69	STUD - M10 X 105	2
10	42050.05	HOSE GUARD - FIRST ARM LH	1
*10	42050.06	HOSE GUARD - FIRST ARM RH	1
10	03.231.02	RUBBER MOULDING	2
10	05.281.02	FLT WASHER 10MM PLATED FORM C	2
10	05.282.02	SPRING WASHER 10MM PLATED	2
10	05.286.02	NUT M10 PLATED	1
11	06.430.19	CLAMP-HOSE LOWER	2

FOR MACHINES PRIOR TO SERIAL No. 3183K/99

FIRST ARM ASSEMBLY

01	42115.01	ARM - FIRST	1
05	03.656.65	PIN 40 X 324	1
06	07.942.01	WASHER, SPECIAL	2
06	03.068.01	SPECIAL SETSCREW	2
10	42050.03	HOSE GUARD RH	1
11	06.430.02	CLAMP HOSE 14 X 14	2
12	04.282.66	STUD M10 X 56	1
13	06.418.02	CLAMP PLATE	1

*MAIN PART IN GROUP, RELATED PARTS HAVE SAME SERIAL NUMBER

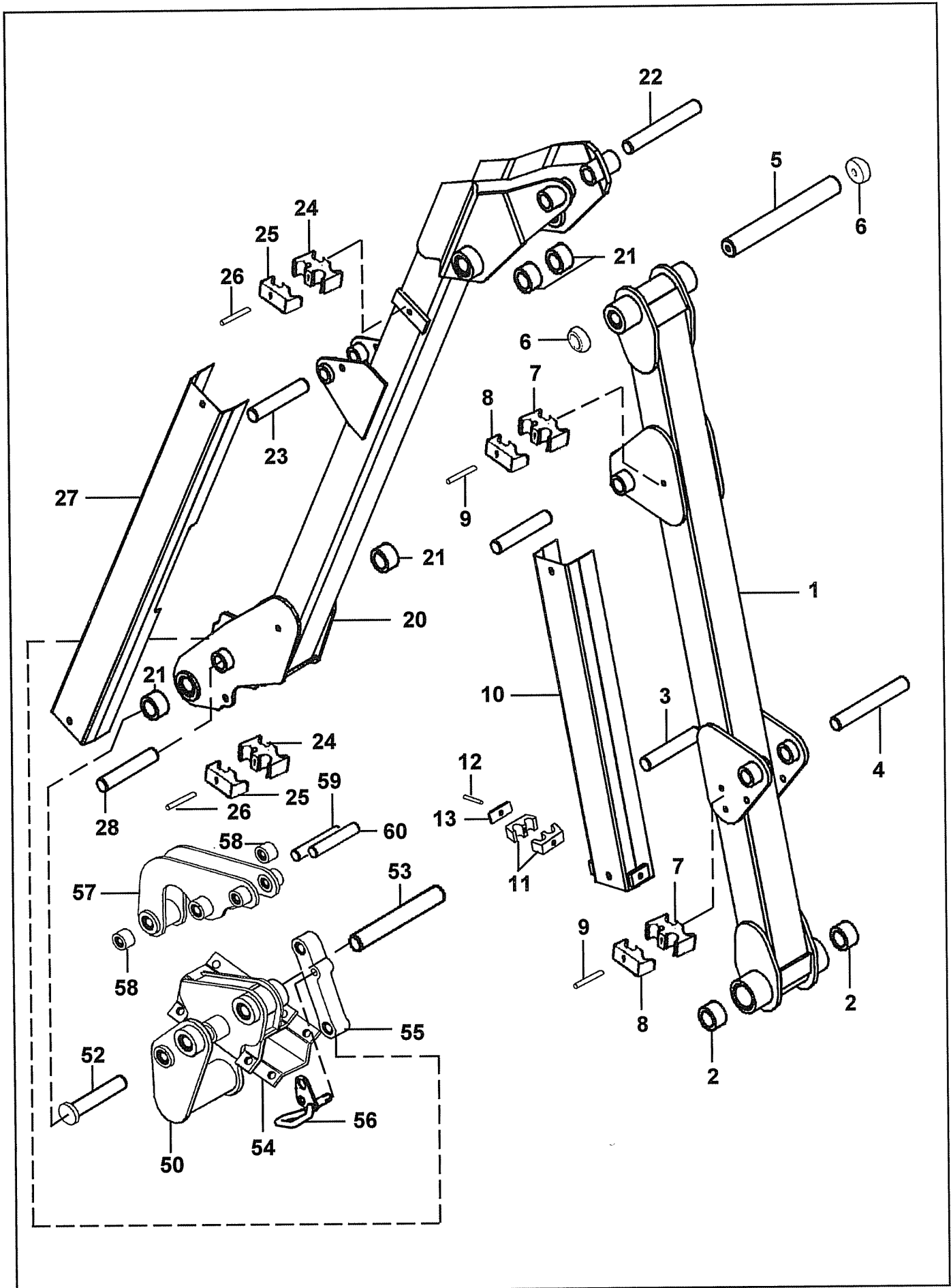


REF	PART NO	DESCRIPTION	QTY
76.384.06 & 76.384.07 ARM ASSEMBLY - SECOND LH & RH			
*20	42116.03	ARM - SECOND LH	1
20	42116.04	ARM - SECOND RH	1
20	05.953.04	GREASE NIPPLE M10 90 DEG	1
21	08.297.02	BUSH - PLASTIC 47 X 40 X 40	4
*22	03.654.79	PIN - DIA 30 X 214	1
22	05.287.01	SELF-LOCKING NUT M8 PLATED	1
22	05.291.06	BOLT M8 X 55MM PLATED	1
*23	03.653.58	PIN - DIA 25 X 138	1
23	05.287.01	SELF-LOCKING NUT M8 PLATED	1
23	05.291.05	BOLT M8 X 50MM PLATED	1
24	06.430.19	HOSE CLAMP-LOWER	2
25	30.217.76	HOSE CLAMP - TWIN CLAMP	2
26	04.282.10	STUD - M10 X 105	2
26	05.281.02	FLT WASHER 10MM PLATED FORM C	2
26	05.286.02	NUT M10	2
26	05.282.02	SPRING WASHER 10MM PLATED	2
*27	42051.06	HOSE GUARD - SECOND ARM	1
27	42051.05	HOSE GUARD - SECOND ARM LH	1
27	03.231.02	RUBBER MOULDING	2
*28	03.654.60	PIN - DIA 30 X 164	1
28	05.287.01	SELF-LOCKING NUT M8 PLATED	1
28	05.291.06	BOLT M8 X 55MM PLATED	1

FOR MACHINES PRIOR TO SERIAL No. 3183K/99
SECOND ARM ASSEMBLY

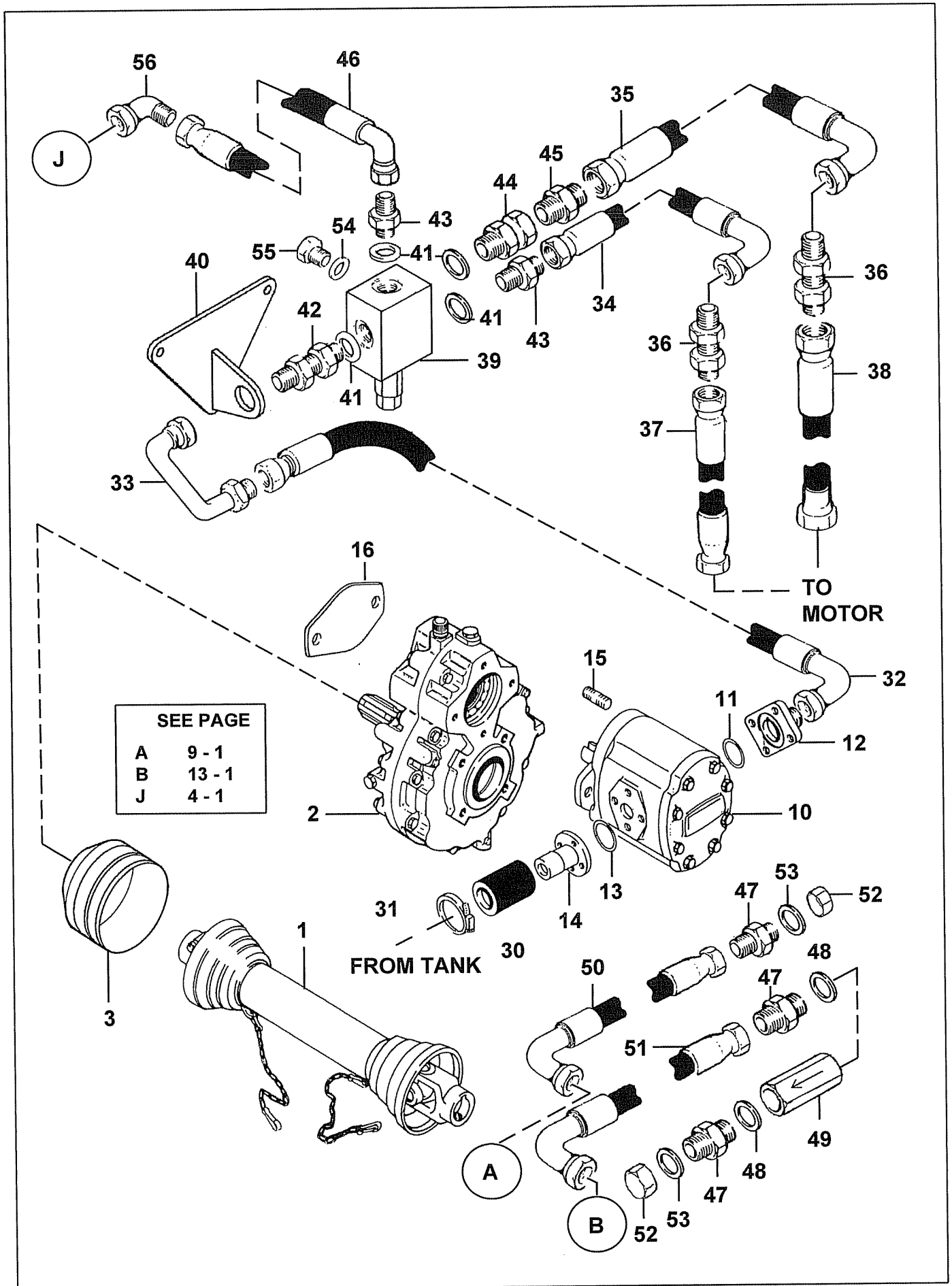
20	42116.01	ARM SECOND LH	1
20	42116.02	ARM SECOND RH	1
24	06.430.18	HOSE CLAMP - LOWER	
25	06.430.17	HOSE CLAMP - UPPER	
26	04.282.69	STUD M10 X 105	
27	42051.02	HOSE GUARD SECOND ARM - RH	
27	42051/01	HOSE GUARD SECOND ARM - LH	

*MAIN PART IN GROUP, RELATED PARTS HAVE SAME REFERENCE NUMBER



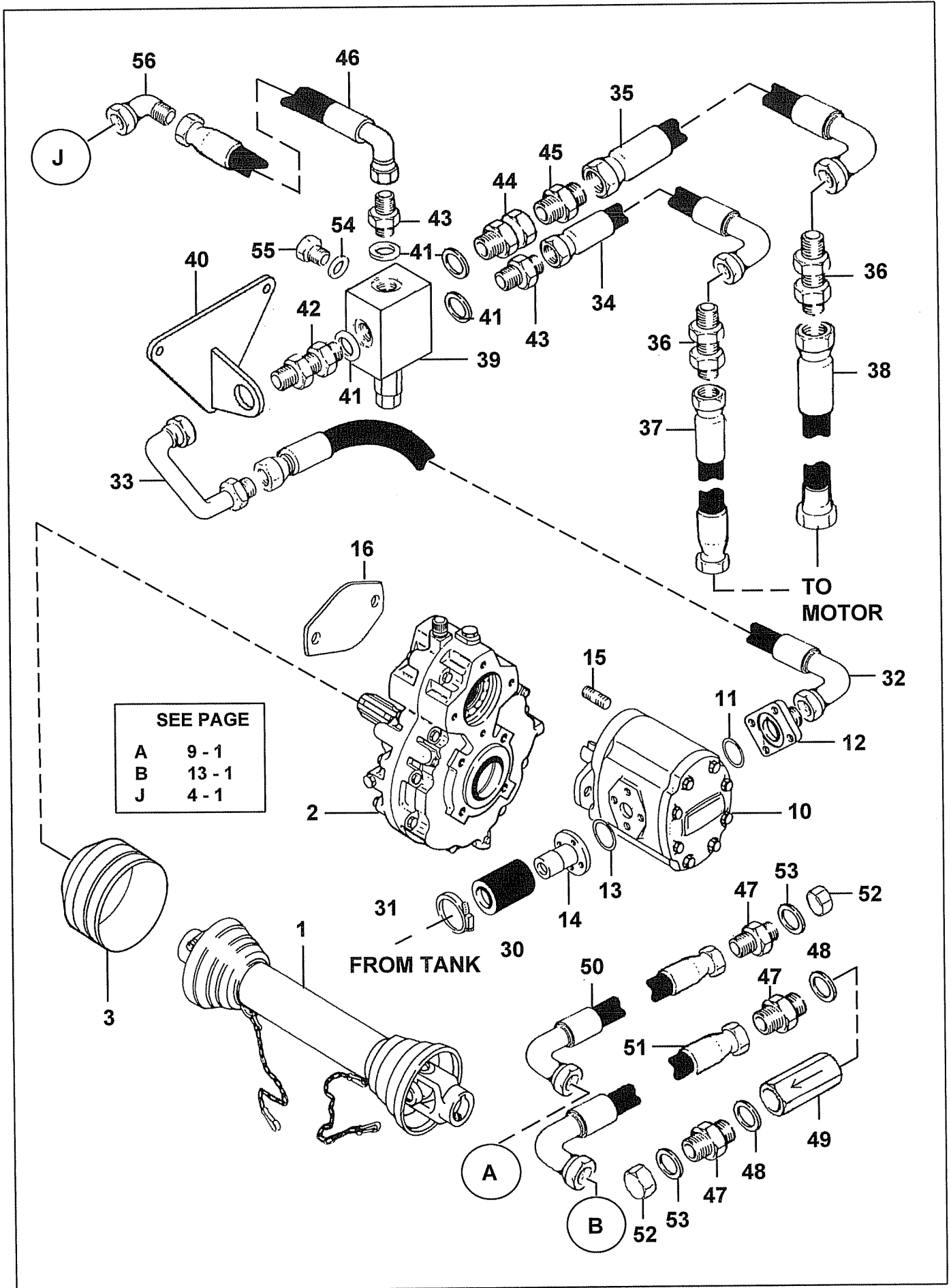
REF	PART NO	DESCRIPTION	QTY
76.162.01 & 76.028.01 - COWL BRKT & LINKAGE LH & RH			
*50	09.662.01	BRACKET - COWL LH	1
50	09.662.02	BRACKET - COWL RH	1
52	03.655.27	PIN - DIA 35 X 184	1
52	05.282.02	SPRING WASHER 10MM PLATED	1
52	05.287.02	SELF-LOCKING NUT M10 PLATED	1
52	05.291.18	BOLT M10 X 65 PLATED	1
*53	03.656.41	PIN 40 DIA X 278	1
53	05.282.02	SPRING WASHER 10MM PLATED	1
53	05.286.02	NUT M10 PLATED	1
53	05.292.11	BOLT M10 X 80MM PLATED	1
*54	09.664.01	PLATE - COWL CLAMP	1
54	05.264.37	SETSCREW M16 X 50MM PLATED	5
54	05.282.04	SPRING WASHER 16MM PLATED	5
54	05.286.04	NUT M16 PLATED	5
*55	09.786.01	LINK	1
55	05.953.01	GREASE NIPPLE M6	1
55	05.953.05	GREASE NIPPLE M6 X 90DEG	1
*56	41.040.01	BRACKET HOSE LH	1
56	05.282.04	SPRING WASHER 16MM PLATED	1
56	05.286.04	NUT M16 PLATED	1
*57	09.785.01	BRACKET - COWL LINK	1
57	05.953.03	GREASE NIPPLE M10	1
58	08.297.05	PLASTIC BUSH - 42 X 35 - 30	2
*59	03.654.59	PIN - DIA 30 X 128	1
59	05.287.01	SELF-LOCKING NUT M8 PLATED	1
59	05.625.30	SOCKET CAPSCREW M8 X 55 PLATED	1
*60	03.653.59	PIN - DIA 25 X 128	1
60	05.287.01	SELF-LOCKING NUT M8 PLATED	1
60	05.625.29	SOCKET CAPSCREW M8 X 50 PLATED	1

***MAIN PART IN GROUP, RELATED PARTS HAVE SAME REFERENCE NUMBER**



REF	PART NO	DESCRIPTION	QTY
76.386.01 PTO & GEARBOX ASSEMBLY			
01	41624.01	PTO SHAFT ASSY 560 MM C/C)	1
01	41624.31	CROSS JOURNAL SET)	-
01	41624.32	COMPLETE SHIELD)	-
*01	04.402.01	PTO SHAFT ASSEMBLY)	1
01	06.154.13	CROSS JOURNAL SET)	-
01	04.043.02	COMPLETE SHIELD)	-
*02	07.727.05	GEARBOX - LS 3.6:1 SPLINED	1
02	05.264.23	SETSCREW M12 X 30MM PLATED	4
02	05.282.03	SPRING WASHER 12MM PLATED	4
*03	08.548.01	GUARD - PLASTIC PTO CUP	1
03	05.281.01	FLAT WASHER 8MM PLATED	2
03	05.282.01	SPRING WASHER 8MM PLATED	2
03	05.839.03	SETSCREW M8 X 16MM PLATED	2
76.387.02 PUMPS - SP			
10	05.650.03	PUMP 2PL146 SPLINE SHAFT	1
11	05.656.03	"O"RING 25 I/D X 3.53	1
*12	03.864.01	ADAPTOR-FLANGED 3/4"BSP PLATED	1
12	05.657.01	SCKT CAPSCRW 5/16"UNCX7/8" PLT	4
13	05.656.01	"O"RING 28 I/D X 2.5	1
*14	03.050.02	ADAPTOR-FLANGED 1.1/2"ODPLATED	1
14	05.657.01	SCKT CAPSCRW 5/16"UNCX7/8" PLT	4
*15	03.100.01	STUD M10 X 34MM	2
15	05.282.02	SPRING WASHER 10MM PLATED	2
15	05.286.02	NUT M10 PLATED	2
*16	04.182.01	PLATE - BLANKING	1
16	05.264.11	SETSCREW M10 X 20MM PLATED	2
16	05.282.02	SPRING WASHER 10MM PLATED	2

*MAIN PART IN GROUP, RELATED PARTS HAVE SAME REFERENCE NUMBER



SEE PAGE	
A	9 - 1
B	13 - 1
J	4 - 1

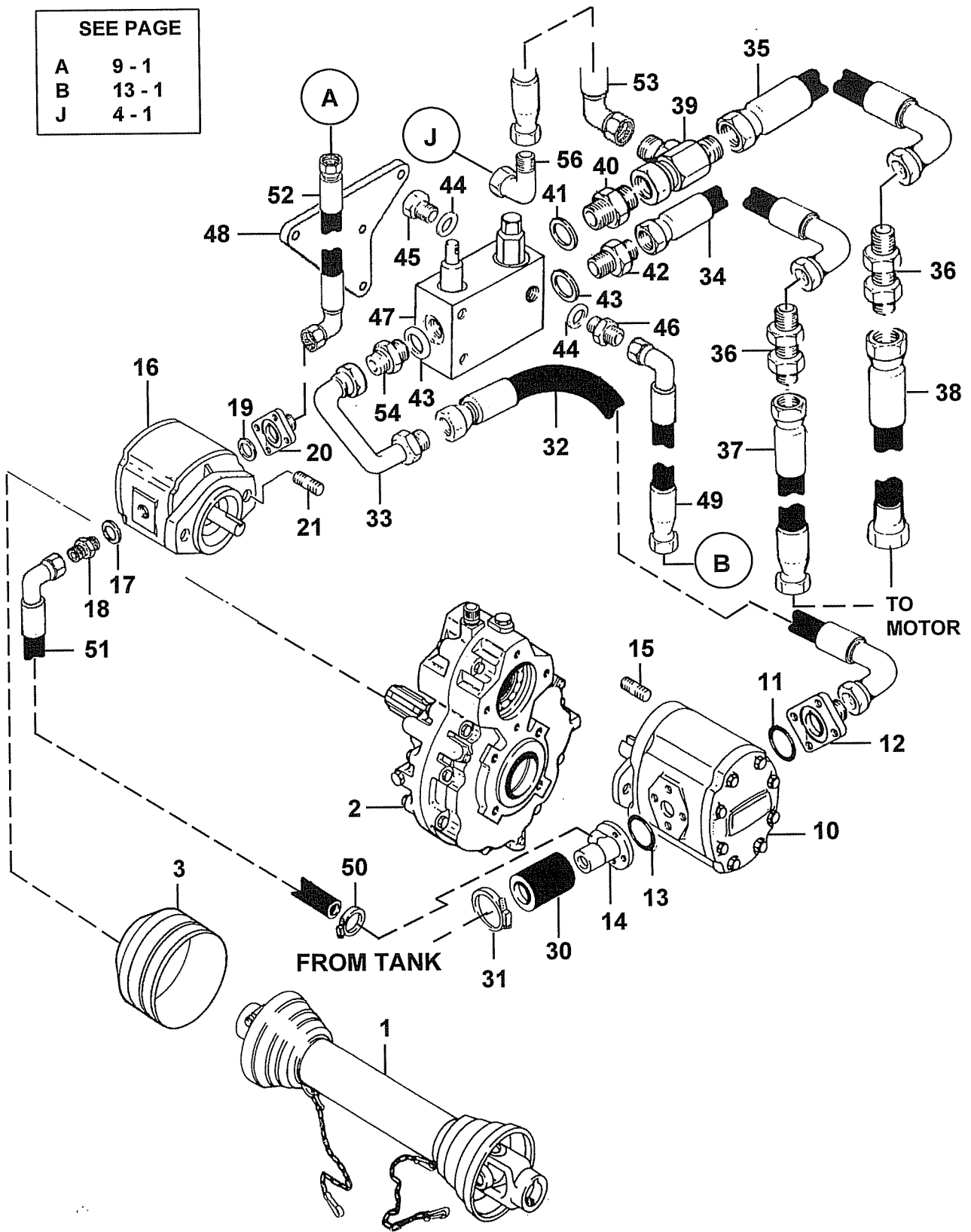
REF	PART NO	DESCRIPTION	QTY
76.388.02 PUMP CIRCUIT			
29	05.434.01	ADAPTOR 1"BSP X 1"BSP	1
30	10.024.09	HOSE 1.1/2" X 390 PLAIN (R4)	1
31	05.863.02	JUBILEE CLIP 2"DIA	2
32	10.010.20	HOSE 3/4"BSP ST X 90 S.SEAL 1000	1
33	06.459.03	PIPE RIGID 3/4"BSP M/F	1
34	10.012.64	HOSE 1"BSP ST X 90 S.SEAL 5400	1
35	10.012.66	HOSE 1"BSP ST X 90 S.SEAL 5600	1
36	08.128.03	ADAPTR 1"BSP BULKHEAD C/W LOCK NUT	2
37	10.011.26 +	HOSE 1"BSP ST X ST S.SEAL 1600	1
38	10.011.26 +	HOSE 1"BSP ST X ST S.SEAL 1600	1
37	10.011.22 α	HOSE 1"BSP ST X ST S.SEAL 1200	1
38	10.011.22 α	HOSE 1"BSP ST X ST S.SEAL 1200	1
*39	03.862.08	RELIEF VALVE ASSY - 207 BAR	1
39	03.862.02	SEAL KIT (03862 VALVES)	1
39	03.862.09	RELIEF CARTRIDGE - 207 BAR	-
*40	42185.01	BRACKET - RELIEF MOUNTING	1
40	05.264.02	SETSCREW M8 X 25MM PLATED	2
40	05.287.01	SELF-LOCKING NUT M8 PLATED	2
41	05.290.06	BONDED SEAL 3/4"BSP	4
42	08.128.08	ADPR BULKHD 3/4"BSP C/W LNUT	1
43	05.373.01	ADAPTOR 3/4"BSP X 1"BSP	2
44	02.714.05	AD.STR.SWIV 1"BSP X 3/4"BSP F/M	1
45	05.434.01	ADAPTOR 1"BSP X 1"BSP	1
46	10.012.13	HOSE 1"BSP ST X 90 S.SEAL 650	1
47	05.123.01	ADAPTOR 1/2" BSP X 3/8" BSP	3
48	05.290.04	BONDED SEAL 3/8"BSP	2
49	06.282.01	NON-RETURN VALVE - 3/8" BSP	1
50	10.004.30	HOSE 3/8"BSP ST X 90 S.SEAL 2000	1
51	10.006.30	HOSE 1/2"BSP ST X 90 S.SEAL 2000	1
52	05.300.03	PLUG-PLASTIC 1/2"BSP FEMALE	2
53	05.290.05	BONDED SEAL 1/2"BSP	2
54	05.290.04	BONDED SEAL 3/8" BSP	1
55	05.433.01	PLUG 3/8" BSP PLATED	1
56	30.052.66 α	1"BSP M/F SWEPT ELBOW	1

+ LH Machines

α RH Machines

*MAIN PART IN GROUP, RELATED PARTS HAVE SAME REFERENCE NUMBER

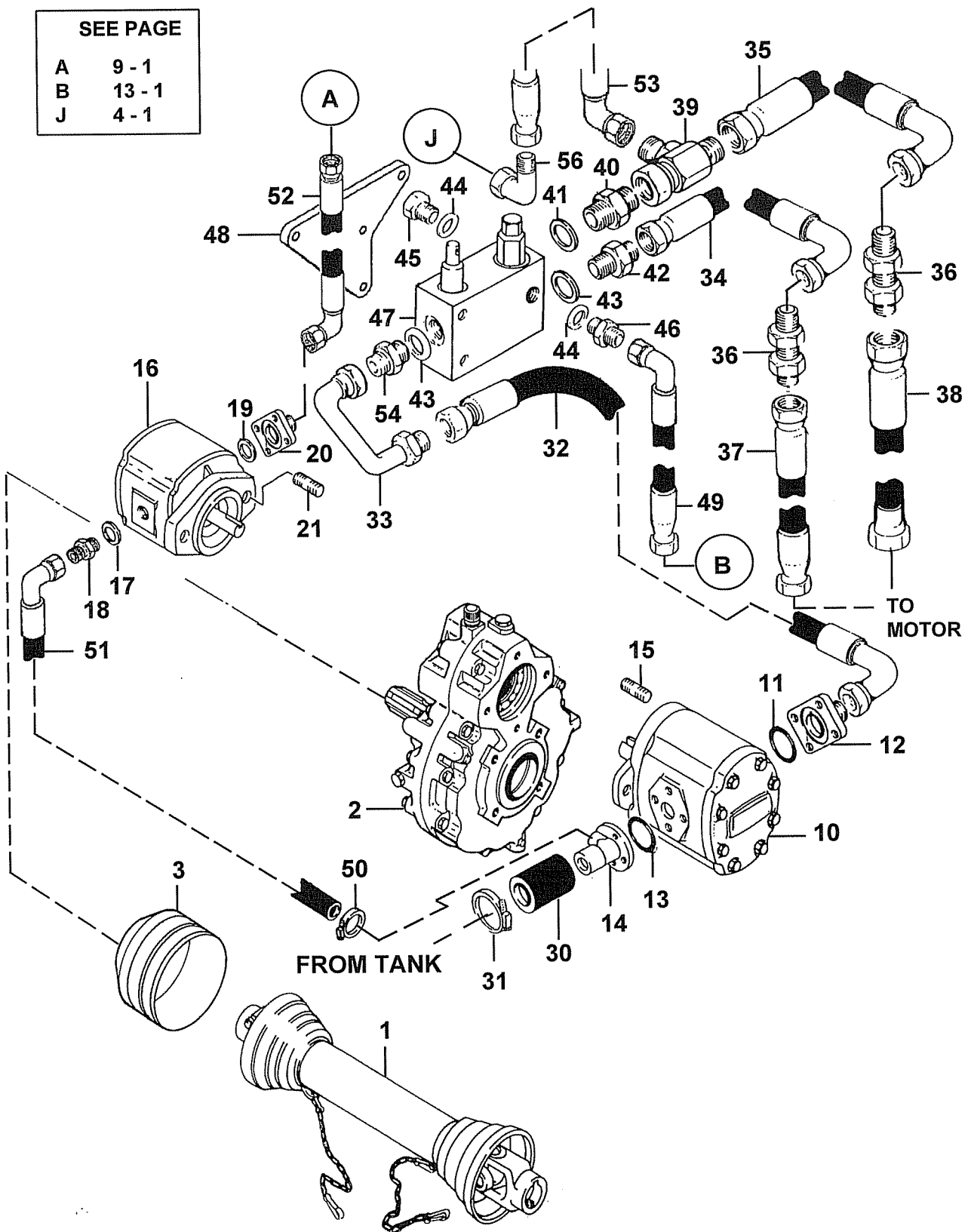
SEE PAGE	
A	9-1
B	13-1
J	4-1



REF	PART NO	DESCRIPTION	QTY
76.386.01 PTO & GEARBOX ASSEMBLY			
01	41624.01	PTO SHAFT ASSY 560 MM C/C)	1
01	41624.31	CROSS JOURNAL SET)	-
01	41624.32	COMPLETE SHIELD)	-
*01	04.402.01	PTO SHAFT ASSEMBLY)	1
01	06.154.13	CROSS JOURNAL SET)	-
01	04.043.02	COMPLETE SHIELD)	-
*02	07.727.05	GEARBOX - LS 3.6:1 SPLINED	1
02	05.264.23	SETSCREW M12 X 30MM PLATED	4
02	05.282.03	SPRING WASHER 12MM PLATED	4
*03	08.548.01	GUARD - PLASTIC PTO CUP	1
03	05.281.01	FLAT WASHER 8MM PLATED	2
03	05.282.01	SPRING WASHER 8MM PLATED	2
03	05.839.03	SETSCREW M8 X 16MM PLATED	2
76.387.01 PUMPS - TWP			
10	05.650.03	PUMP 2PL146 SPLINE SHAFT	1
11	05.656.03	"O"RING 25 I/D X 3.53	1
*12	03.864.01	ADAPTOR-FLANGED 3/4"BSP PLATED	1
12	05.657.01	SCKT CAPSCRW 5/16"UNC X 7/8" PLT	4
13	05.656.01	"O"RING 28 I/D X 2.5	1
*14	06.251.01	ADAPTOR-INLET PLATED	1
14	05.657.01	SCKT CAPSCRW 5/16"UNC X 7/8" PLT	4
*15	03.100.01	STUD M10 X 34MM	2
15	05.282.02	SPRING WASHER 10MM PLATED	2
15	05.286.02	NUT M10 PLATED	2
16	09.537.01	GEAR PUMP - ULTRA 1P X 070	1
17	05.290.05	BONDED SEAL 1/2"BSP	1
18	05.376.01	ADAPTOR 3/4"BSP X 1/2"BSP	1
19	30.210.92	O RING 200-121-4490	1
*20	09.745.01	ADAPTOR-FLANGE 3/8"BSP PLATED	1
20	05.657.01	SCKT CAPSCRW 5/16"UNC X 7/8" PLT	4
*21	03.100.01	STUD M10 X 34MM	2
21	05.282.02	SPRING WASHER 10MM PLATED	2
21	05.286.02	NUT M10 PLATED	2

*MAIN PART IN GROUP, RELATED PARTS HAVE SAME REFERENCE NUMBER

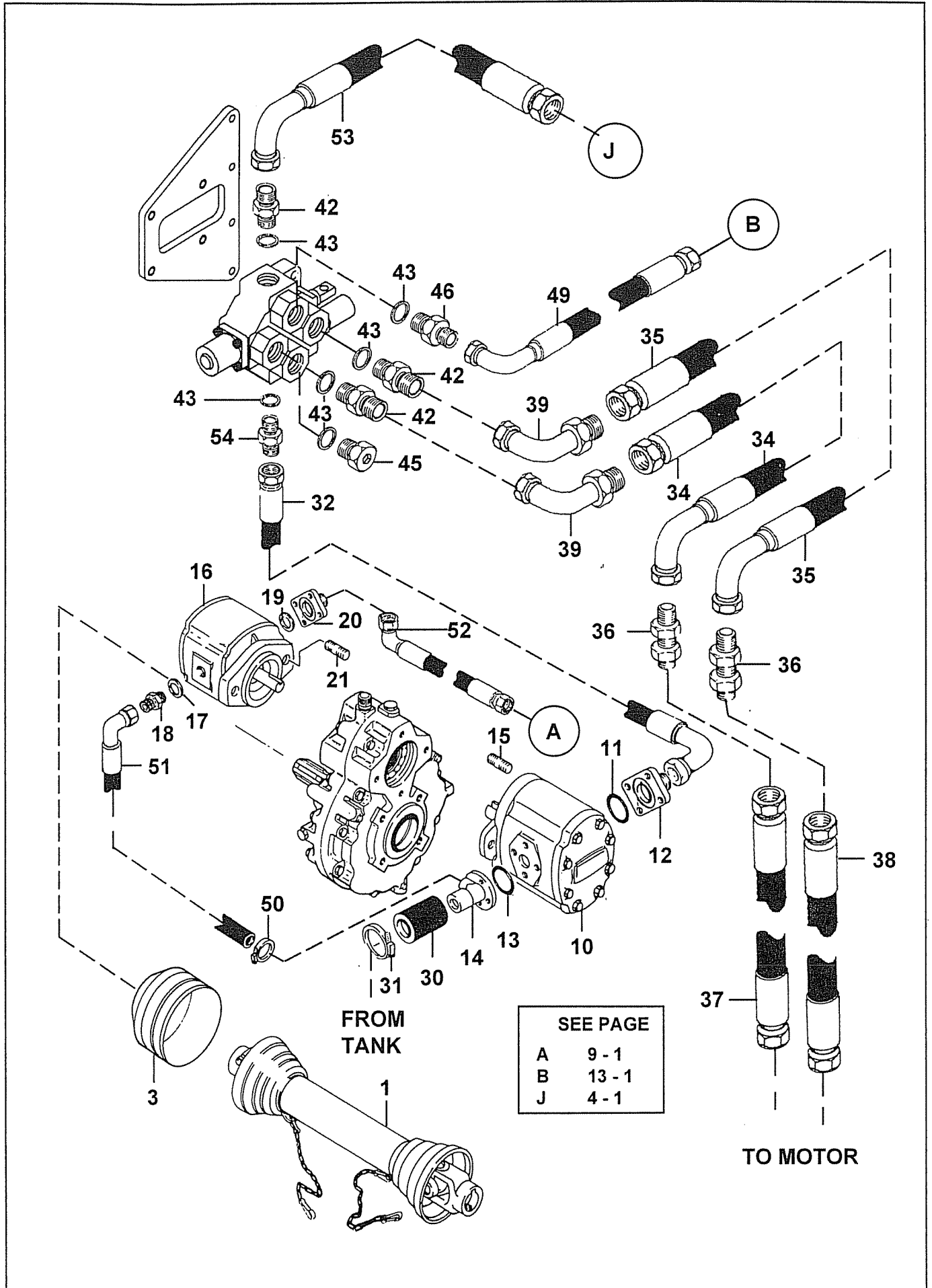
SEE PAGE	
A	9-1
B	13-1
J	4-1



REF	PART NO	DESCRIPTION	QTY
76.388.04/06 PUMP CIRCUIT			
29	05.434.01	ADAPTOR 1"BSP X 1"BSP	1
30	10.024.09	HOSE 1.1/2" X 390 PLAIN (R4)	1
31	05.863.02	JUBILEE CLIP 2"DIA	2
32	10.010.23	HOSE 3/4"BSP ST X 90 S.SEAL 1300	1
33	06.459.03	PIPE RIGID 3/4"BSP M/F	1
34	10.012.64	HOSE 1"BSP ST X 90 S.SEAL 5400	1
35	10.012.65	HOSE 1"BSP ST X 90 S.SEAL 5000	1
36	08.128.03	ADAPTR 1"BSP BULKHEAD C/W LNUT	2
37	10.011.26 +	HOSE 1"BSP ST X ST S.SEAL 1600	1
38	10.011.26 +	HOSE 1"BSP ST X ST S.SEAL 1600	1
37	10.011.22 ☒	HOSE 1"BSP ST X ST S.SEAL 1200	1
38	10.011.22 ☒	HOSE 1"BSP ST X ST S.SEAL 1200	1
39	04.056.02	ADAPTOR-SWIVEL TEE 1"BSP F/M/M	1
40	05.434.01	ADAPTOR 1"BSP X 1"BSP	1
41	05.290.07	BONDED SEAL 1"BSP	1
42	05.373.01	ADAPTOR 3/4"BSP X 1"BSP	1
43	05.290.06	BONDED SEAL 3/4"BSP	2
44	05.290.04	BONDED SEAL 3/8"BSP	2
45	05.433.01	PLUG 3/8"BSP PLATED	1
46	05.123.01	ADAPTOR 1/2" BSP X 3/8" BSP	1
*47	06.284.16	DIVERTER/RELIEF ASSY - 207 BAR	1
47	05.282.01	SPRING WASHER 8MM PLATED	2
47	05.291.07	BOLT M8 X 60MM PLATED	2
47	06.284.02	SEAL KIT FOR (06.284.01) VALVE	-
47	06.299.03	RELIEF VALVE CARTRIDGE 207BAR	-
*48	42178.01	PLATE - VALVE MOUNTING	1
48	05.264.02	SETSCREW M8 X 25MM PLATED	2
48	05.287.01	SELF-LOCKING NUT M8 PLATED	2
49	10.006.21	HOSE 1/2"BSP STX90 S.SEAL 1100	1
50	05.863.03	JUBILEE CLIP 20-32 DIA	1
51	10.021.13	HOSE 3/4"BSP 90 X PLAIN 550	1
52	10.004.14	HOSE 3/8"BSP ST X 90 S.SEAL 700	1
53	10.012.13	HOSE 1"BSP ST X 90 S.SEAL 650	1
54	05.377.01	ADAPTOR 3/4"BSP X 3/4"BSP	1
56	30.052.66	1" BSP M/F SWEPT ELBOW	1

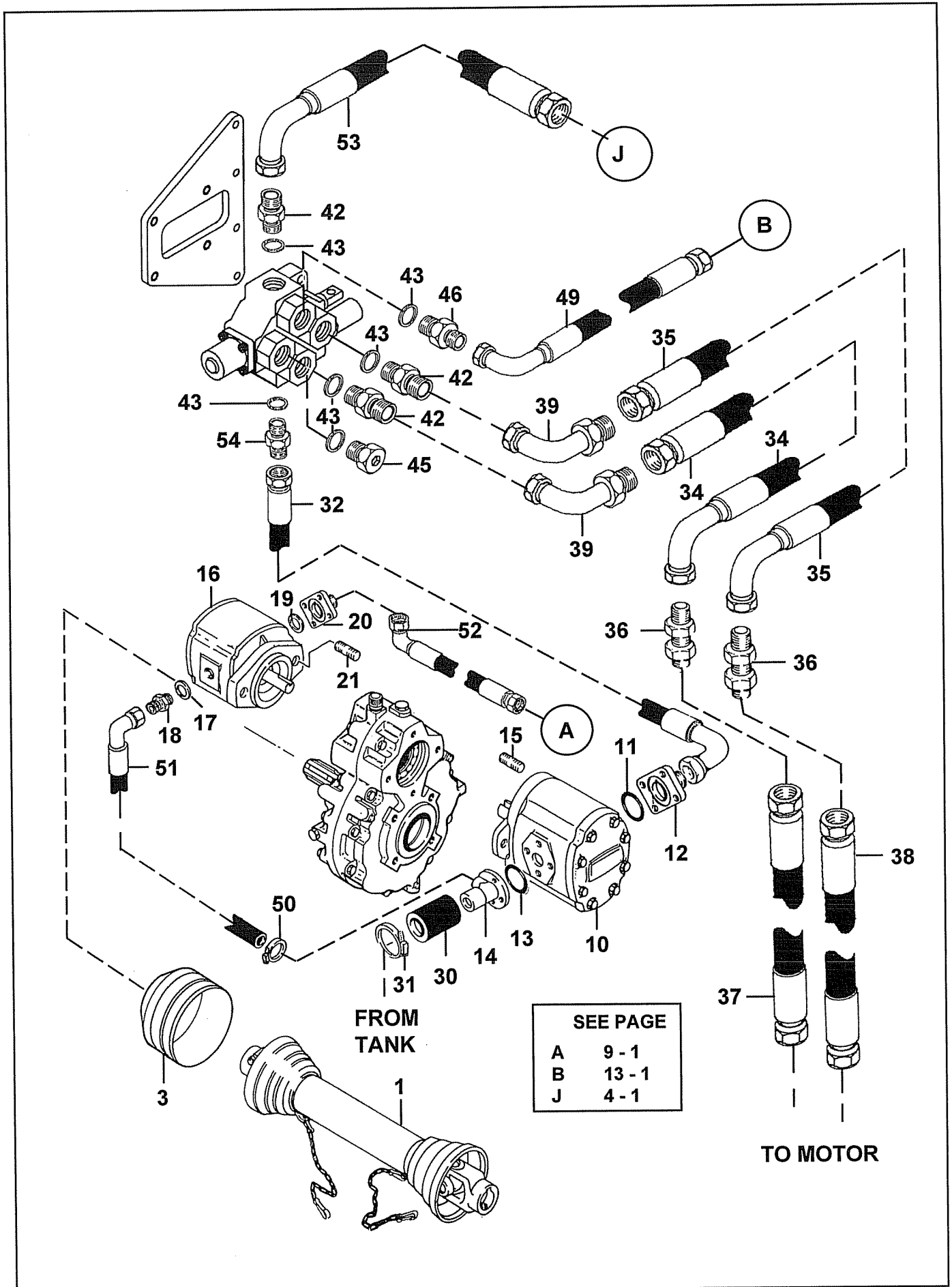
+ LH Machines
 ☒ RH Machines

*MAIN PART IN GROUP, RELATED PARTS HAVE SAME REFERENCE NUMBER



REF	PART NO	DESCRIPTION	QTY
76.386.01 PTO & GEARBOX ASSEMBLY			
01	41624.01	PTO SHAFT ASSY 560 MM C/C)	1
01	41624.31	CROSS JOURNAL SET)	-
01	41624.32	COMPLETE SHIELD)	-
*01	04.402.01	PTO SHAFT ASSEMBLY)	1
01	06.154.13	CROSS JOURNAL SET)	-
01	04.043.02	COMPLETE SHIELD)	-
*02	07.727.05	GEARBOX - LS 3.6:1 SPLINED	1
02	05.264.23	SETSCREW M12 X 30MM PLATED	4
02	05.282.03	SPRING WASHER 12MM PLATED	4
*03	08.548.01	GUARD - PLASTIC PTO CUP	1
03	05.281.01	FLAT WASHER 8MM PLATED	2
03	05.282.01	SPRING WASHER 8MM PLATED	2
03	05.839.03	SETSCREW M8 X 16MM PLATED	2
76.387.01 PUMPS - TWP			
10	05.650.03	PUMP 2PL146 SPLINE SHAFT	1
11	05.656.03	"O"RING 25 I/D X 3.53	1
*12	03.864.01	ADAPTOR-FLANGED 3/4"BSP PLATED	1
12	05.657.01	SCKT CAPSCRW 5/16"UNC X 7/8" PLT	4
13	05.656.01	"O"RING 28 I/D X 2.5	1
*14	06.251.01	ADAPTOR-INLET PLATED	1
14	05.657.01	SCKT CAPSCRW 5/16"UNC X 7/8" PLT	4
*15	03.100.01	STUD M10 X 34MM	2
15	05.282.02	SPRING WASHER 10MM PLATED	2
15	05.286.02	NUT M10 PLATED	2
16	09.537.01	GEAR PUMP - ULTRA 1P X 070	1
17	05.290.05	BONDED SEAL 1/2"BSP	1
18	05.376.01	ADAPTOR 3/4"BSP X 1/2"BSP	1
19	30.210.92	O RING 200-121-4490	1
*20	09.745.01	ADAPTOR-FLANGE 3/8"BSP PLATED	1
20	05.657.01	SCKT CAPSCRW 5/16"UNC X 7/8" PLT	4
*21	03.100.01	STUD M10 X 34MM	2
21	05.282.02	SPRING WASHER 10MM PLATED	2
21	05.286.02	NUT M10 PLATED	2

*MAIN PART IN GROUP, RELATED PARTS HAVE SAME REFERENCE NUMBER



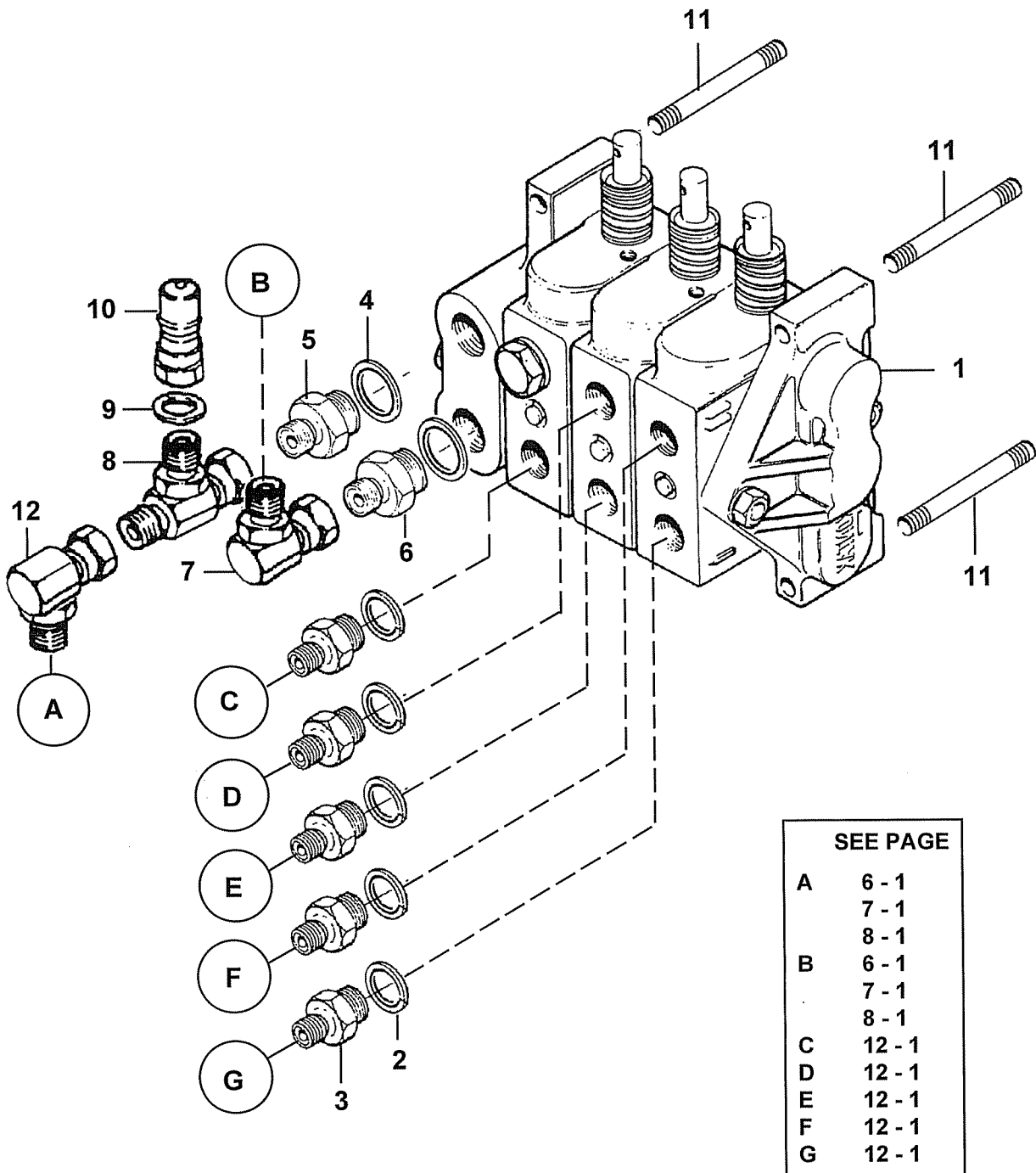
FROM TANK

SEE PAGE	
A	9 - 1
B	13 - 1
J	4 - 1

TO MOTOR

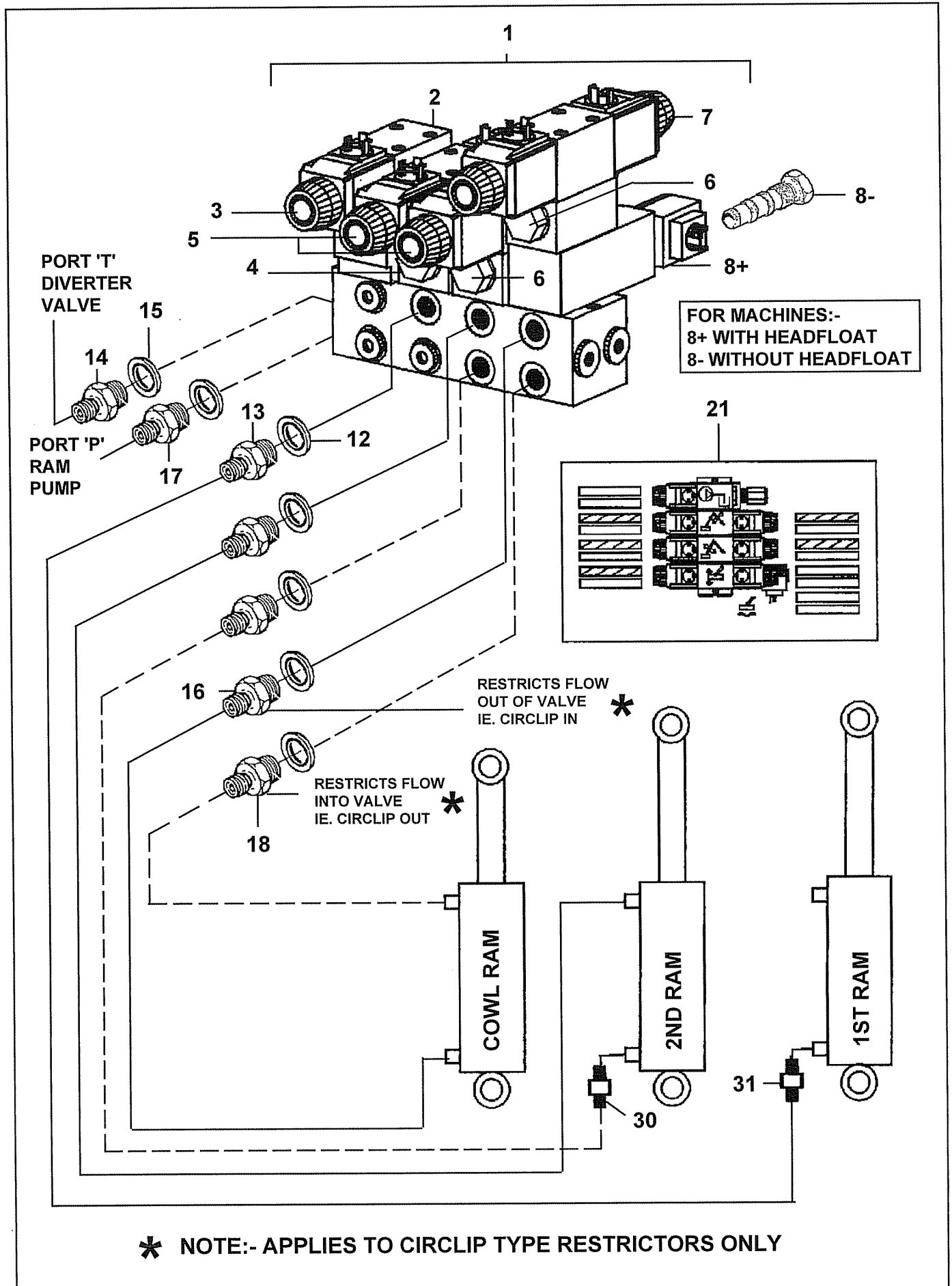
REF	PART NO	DESCRIPTION	QTY
76.388.11 PUMP CIRCUIT - B458 RH TWP DSR			
30	10.024.11	HOSE 1.1/2" X 390 PLAIN (R4)	1
31	05.863.02	JUBILEE CLIP 2"DIA	2
32	10.010.20	HOSE 3/4"BSP ST X 90 S.SEAL 1000	1
34	10.012.64	HOSE 1"BSP ST X 90 S.SEAL 5400	1
35	10.012.66	HOSE 1"BSP ST X 90 S.SEAL 5600	1
36	08.128.03	ADAPTOR 1"BSP BULKHEAD C/W LNUT	2
37	10.011.22	HOSE 1"BSP ST X ST S.SEAL 1200	1
38	10.011.22	HOSE 1"BSP ST X ST S.SEAL 1200	1
39	30.052.66	1" BSP M/F SWEPT ELBOWS	2
42	05.373.01	ADAPTOR 3/4"BSP X 1"BSP	3
43	05.290.06	BONDED SEAL 3/4"BSP	5
45	05.313.01	BLANKING PLUG - 3/4" BSP	1
46	05.376.01	ADAPTOR 3/4"BSP X 1/2"BSP	1
47	05.264.13	SETSCREW M10 X 30MM PLATED	2
47	05.282.02	SPRING WASHER 10MM PLATED	2
47	8125107	RELIEF ASSY - 210 BAR	-
*47	8125355	ROTOR CONTROL VALVE LH	1
47	8125385	ROTOR CONTROL VALVE RH	1
47	9343033	M6 X 16 SOCKET HEAD CAP	2
48	05.264.02	SETSCREW M8 X 25MM PLATED	2
48	05.287.01	SELF-LOCKING NUT M8 PLATED	2
*48	42520.01	PLATE - DSR MOUNTING	1
49	10.006.21	HOSE 1/2"BSP ST X 90 S.SEAL 1100	1
50	05.863.03	JUBILEE CLIP 20-32 DIA	1
51	10.021.13	HOSE 3/4"BSP 90 X PLAIN 550	1
52	10.004.14	HOSE 3/8"BSP ST X 90 S.SEAL 700	1
53	10.012.13	HOSE 1"BSP ST X 90 S.SEAL 650	1
54	05.377.01	ADAPTOR 3/4"BSP X 3/4"BSP	1

*MAIN PART IN GROUP, RELATED PARTS HAVE SAME REFERENCE NUMBER



REF	PART NO	DESCRIPTION	QTY
76.385.01 CONTROL VALVE ASSEMBLY			
*01	41335.15	KA10 VALVE ASSY - 3 SPOOL	1
01	0342061	SKT CAPSCREW 1/4"UNC X 3/4" BZP	6
02	05.290.05	BONDED SEAL 1/2"BSP	5
03	01.099.03	ADAPTOR 1/2BSP X 1/4BSP	5
04	05.290.06	BONDED SEAL 3/4"BSP	2
05	05.128.01	ADAPTOR 3/4" BSP X 3/8" BSP	1
06	05.376.01	ADAPTOR 3/4"BSP X 1/2"BSP	1
07	05.835.05	ADAPTOR-SWIVEL 90 1/2"BSP M/F	1
08	04.056.16	ADAPTOR F/M/M 3/8 X 3/8 X 1/4 BSP	1
09	05.290.02	BONDED SEAL 1/4"BSP	1
10	05.146.12	Q/R COUPLING 1/4" BSP MALE	1
*11	04.282.76	STUD - M10 X 70 PLATED	3
11	05.281.02	FLT WASHER 10MM PLATED FORM C	3
11	05.282.02	SPRING WASHER 10MM PLATED	3
11	05.286.02	NUT M10 PLATED	3
12	05.835.01	ADAPTOR-SWIVEL 90 3/8" BSP M/F	1

*MAIN PART IN GROUP, RELATED PARTS HAVE SAME REFERENCE NUMBER



REF	PART NO	DESCRIPTION	QTY
76.427.01/76.427.02/76.427.10 EPP II 3 SV - HF VALVE ASSEMBLY			
*01	41784.04	CONTROL VALVE 3 SERVICE	1
01	05.282.09	SPRING WASHER 5MM PLATED	4
01	30.073.93	SCREW M5 X 16MM 8.8 GRADE	4
02	41784.37	RELIEF VALVE CARTRIDGE 207 BAR	-
03	08.852.51	CETOP 3 VENT VALVE	-
04	08.852.55	CETOP 3 SINGLE PO CHECK VALVE	-
05	41784.31	SPOOL VALVE PROPORTIONAL	-
06	08.852.53	CETOP 3 DUAL PO CHECK VALVE	-
07	08.852.52	CETOP 3 MOTOR SPOOL VALVE	-
-08	41784.38	BLANKING PLUG	-
12	05.290.04	BONDED SEAL 3/8"BSP	5
13	01.099.01	ADAPTOR 3/8BSP X1/4BSP	3
14	05.122.01	ADAPTOR 1/2" BSP X 1/2" BSP	1
15	05.290.05	BONDED SEAL 1/2"BSP	2
16	07.605.01	RESTRICTOR 3/8" X 1/4"BSP 1.00MM	1
17	05.123.01	ADAPTOR 1/2" BSP X 3/8" BSP	1
18	07.605.01	RESTRICTOR 3/8 X 1/4"BSP 1.00MM	1
21	41814.01	DECAL - 3 SERVICE	1
30	.03.028.12	RESTRICTOR 3/8" X 1/4"	1
31	03.028.12	RESTRICTOR 3/8" X 1/4"	1

FOR MACHINES WITH HEAD FLOAT

01	41784.01	CONTROL VALVE PROPORTIONAL 3 SERVICE	1
+08	47184.33	VALVE CARTRIDGE - HEAD FLOAT	-

- *For machines without head float*

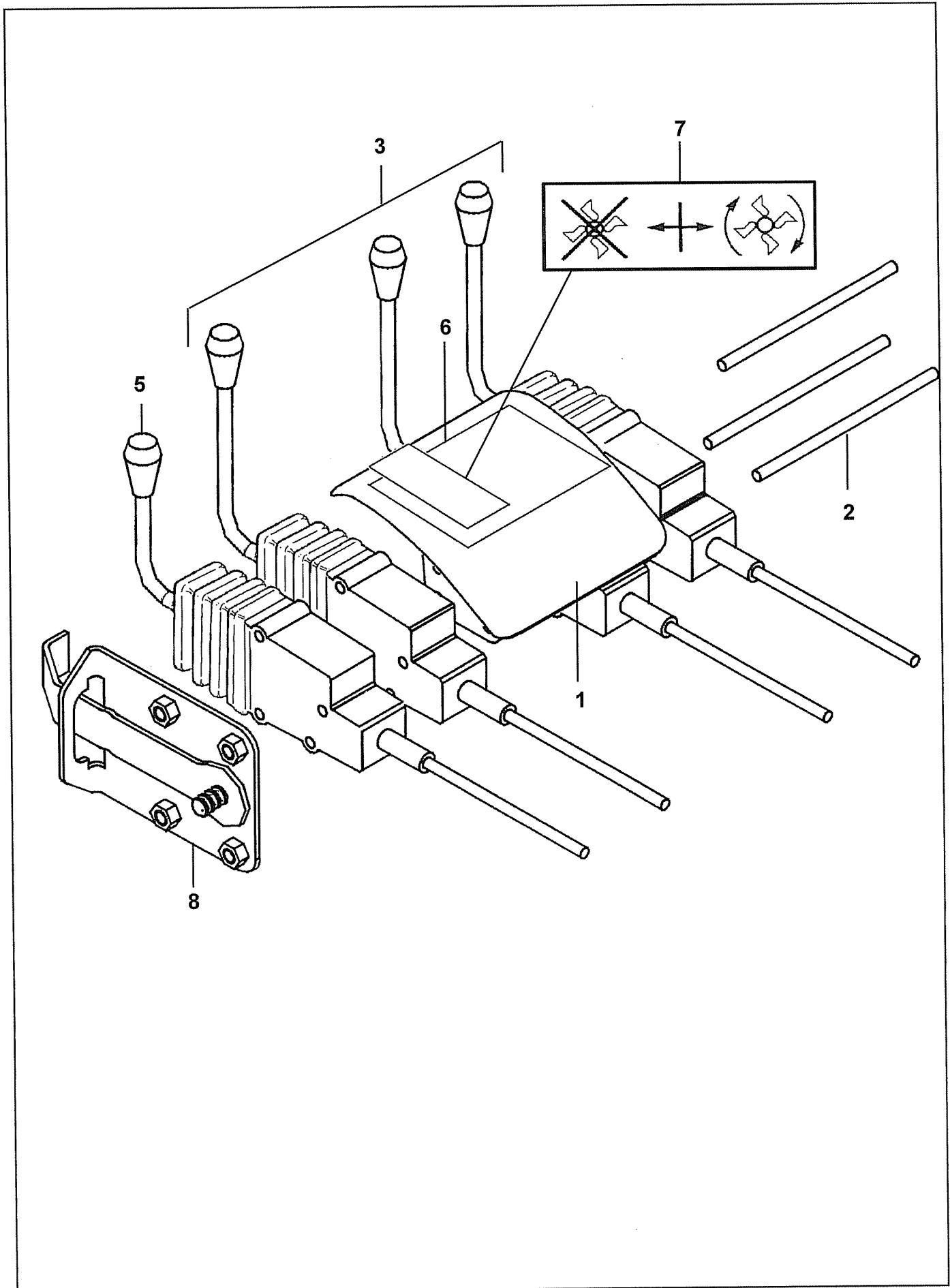
+ *For machines with head float*

76.427.10 EPPII B408/458/508 VALVE MOUNTING KIT

*10	42321.01	BRACKET - VALVE MOUNTING	NI	1
10	05.281.02	FLAT WASHER 8MM PLATED		2
10	05.282.02	SPRING WASHER 10MM PLATED		2
10	05.264.11	SETSCREW M8 X 20MM PLATED		2
*11	42322.01	VALVE COVER	NI	1
11	05.281.01	FLAT WASHER 8MM PLATED		4
11	05.839.03	SETSCREW M8 X16MM PLATED		4
11	05.282.01	SPRING WASHER 8MM PLATED		4

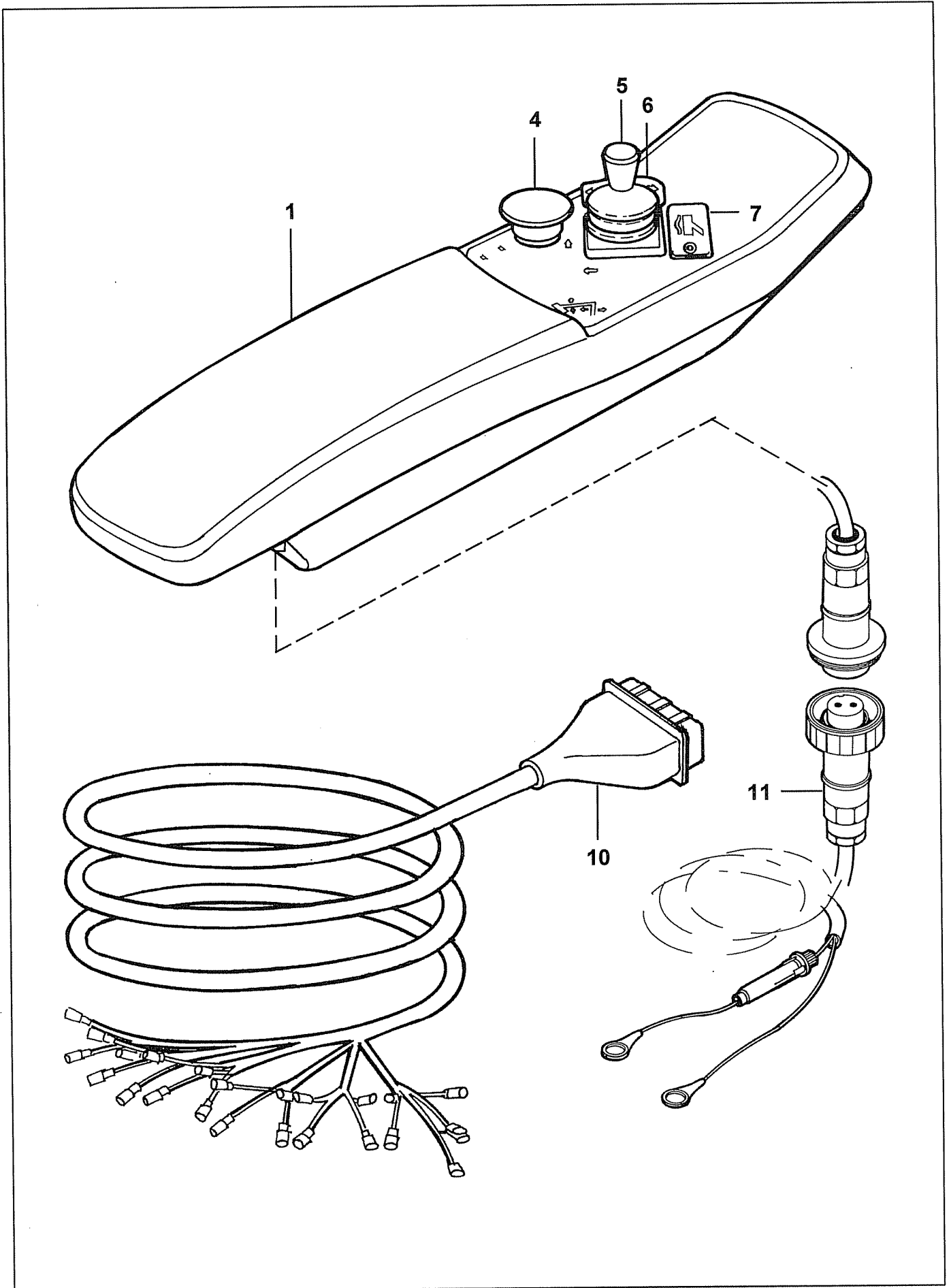
NI = Not illustrated

***MAIN PART IN GROUP, RELATED PARTS HAVE SAME REFERENCE NUMBER**



REF	PART NO	DESCRIPTION	QTY
76.421.01/76.421.02 CABLE ASSY - 4 LEVER LH/RH			
01	42256.01	ARM REST - 4 LEVER	1
*02	04.282.01	STUD M8 X 196MM PLATED	3
02	05.281.01	FLAT WASHER 8MM PLATED	6
02	05.286.01	NUT M8 PLATED	3
02	05.948.07	WING NUT M8 - PLATED	3
03	04.265.70	CABLE ASSY-3.0M LONG LEVER, BLACK	3
05	04.265.75	CABLE ASSY-3.0M SHORT LEVER, RED	1
06	09.916.04 α	DECAL - LEVER OP. 4 LEVER RH	1
76.421.03 CABLE ASSY - 3 LEVER LH/RH			
01	42256.02	ARM REST - 3 LEVER	1
*02	04.265.25	BOLT M8 X 140 PLATED	3
02	05.281.01	FLAT WASHER 8MM PLATED	6
02	05.948.07	WING NUT M8 - PLATED	2
03	04.265.70	CABLE ASSY-3.0M LNG LEVER BLACK	3
06	09.916.13 +	DECAL-LEVER OP.3 LEVER LH	1
06	09.916.14 α	DECAL-LEVER OP. 3 LEVER RH	1
	+ LH Machines		
	α RH Machines		
76.421.05 CABLE ASSY - 4 LEVER RH DSR			
01	42256.01	ARM REST - 4 LEVER	1
*02	04.282.01	STUD M8 X 196MM PLATED	3
02	05.281.01	FLAT WASHER 8MM PLATED	3
02	05.948.07	WING NUT M8 - PLATED	3
03	04.265.70	CABLE ASSY-3.0M LNG LEVER BLK	3
05	04.265.81	CABLE ASSY-3.0M SHRT LEVER RED	1
06	09.916.04	DECAL - LEVER OP. 4 LEVER RH	1
07	06.820.02	DECAL-ROTOR SHAFT CONTROL	1
08	42511.01	LEVER BALKING ASSY	1

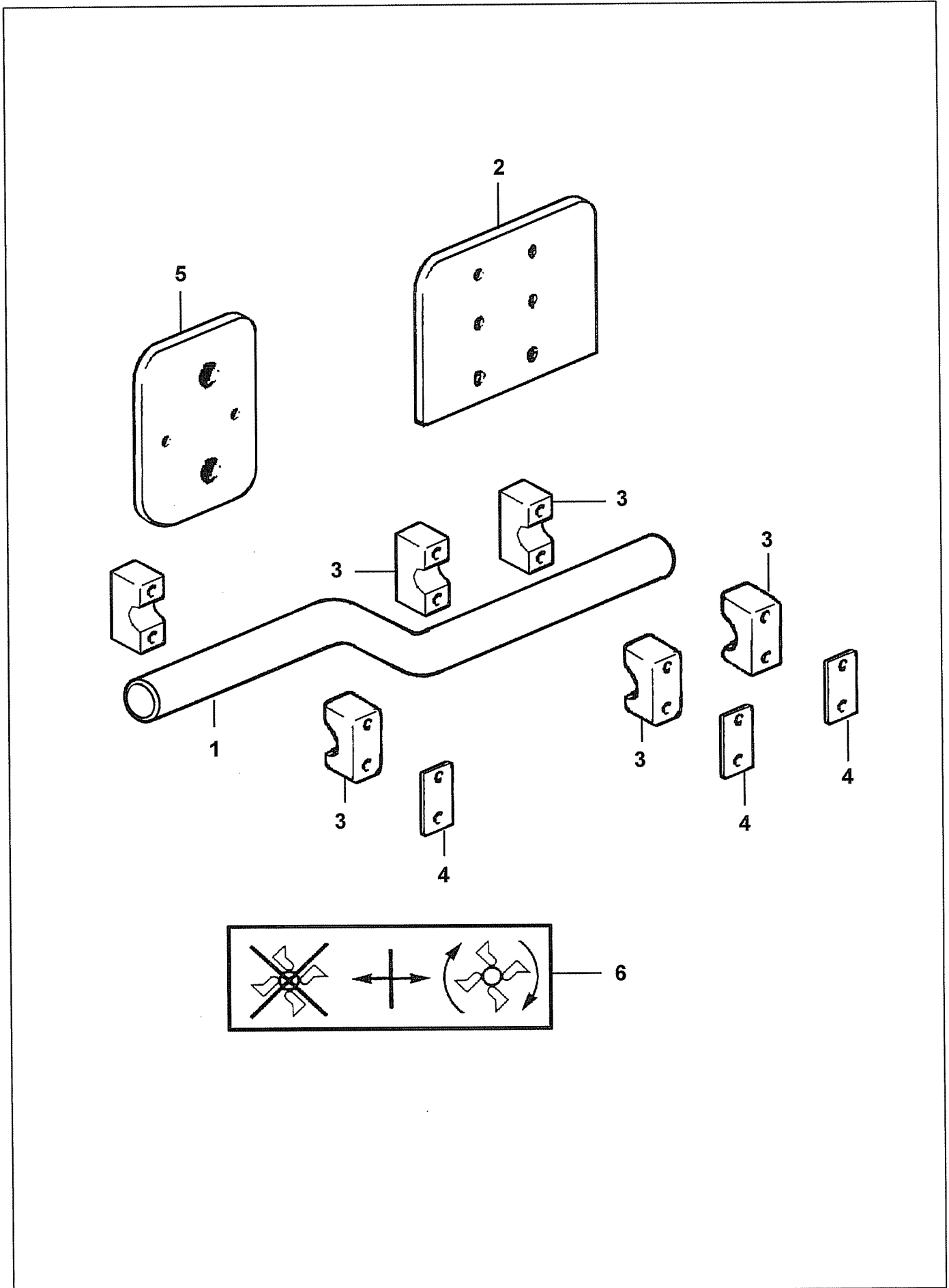
*MAIN PART IN GROUP, RELATED PARTS HAVE SAME REFERENCE NUMBER



REF	PART NO	DESCRIPTION	QTY
76.426.01 EPP II REMOTE CONTROL ASSY LH/RH - 3 SERVICE			
*01	42226.01	CONTROL BOX 3 SERVICE LH	1
01	42226.02	CONTROL BOX 3 SERVICE RH	1
*02	42226.96	DECAL SET EPPII LH NI	-
02	42226.95	DECAL SET EPPII RH NI	-
03	42226.94	MAIN PCB ASSY EPPII NI	-
04	41786.33	STOP SWITCH	-
05	41786.34	JOYSTICK ASSY	-
06	41786.35	SWITCH ASSY COWL	-
10	42197.11	WIRE LOOM	1
11	08.987.01	CABLE ASSY - 2 CORE X 5.5M	1
FOR MACHINES WITH HEAD FLOAT			
*01	42226.11	CONTROL BOX 3 SERVICE LH	1
01	42226.12	CONTROL BOX 3 SERVICE RH	1
07	41786.38	SWITCH ASSY HEAD FLOAT	-

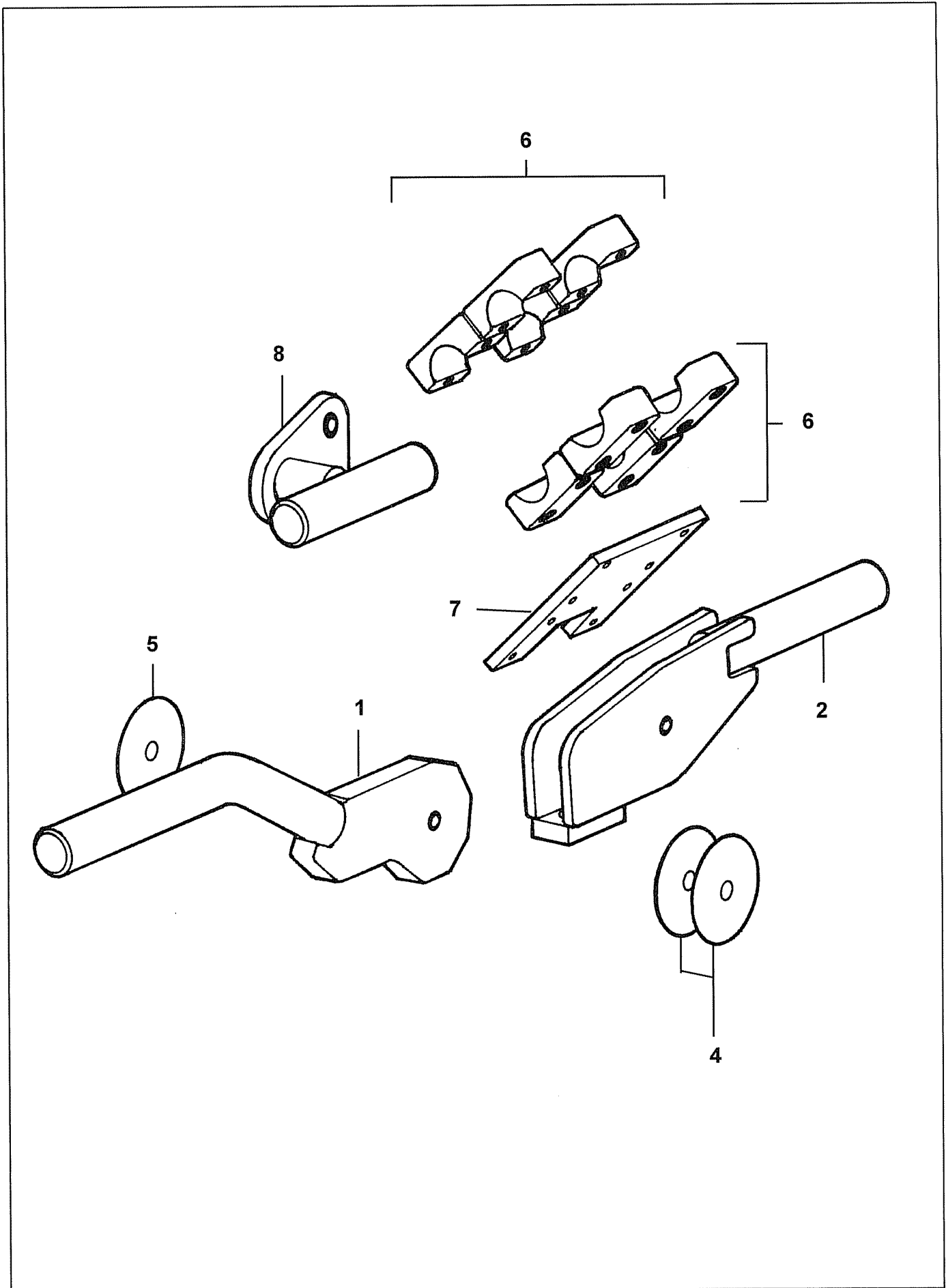
NI = Not illustrated

***MAIN PART IN GROUP, RELATED PARTS HAVE SAME REFERENCE NUMBER**



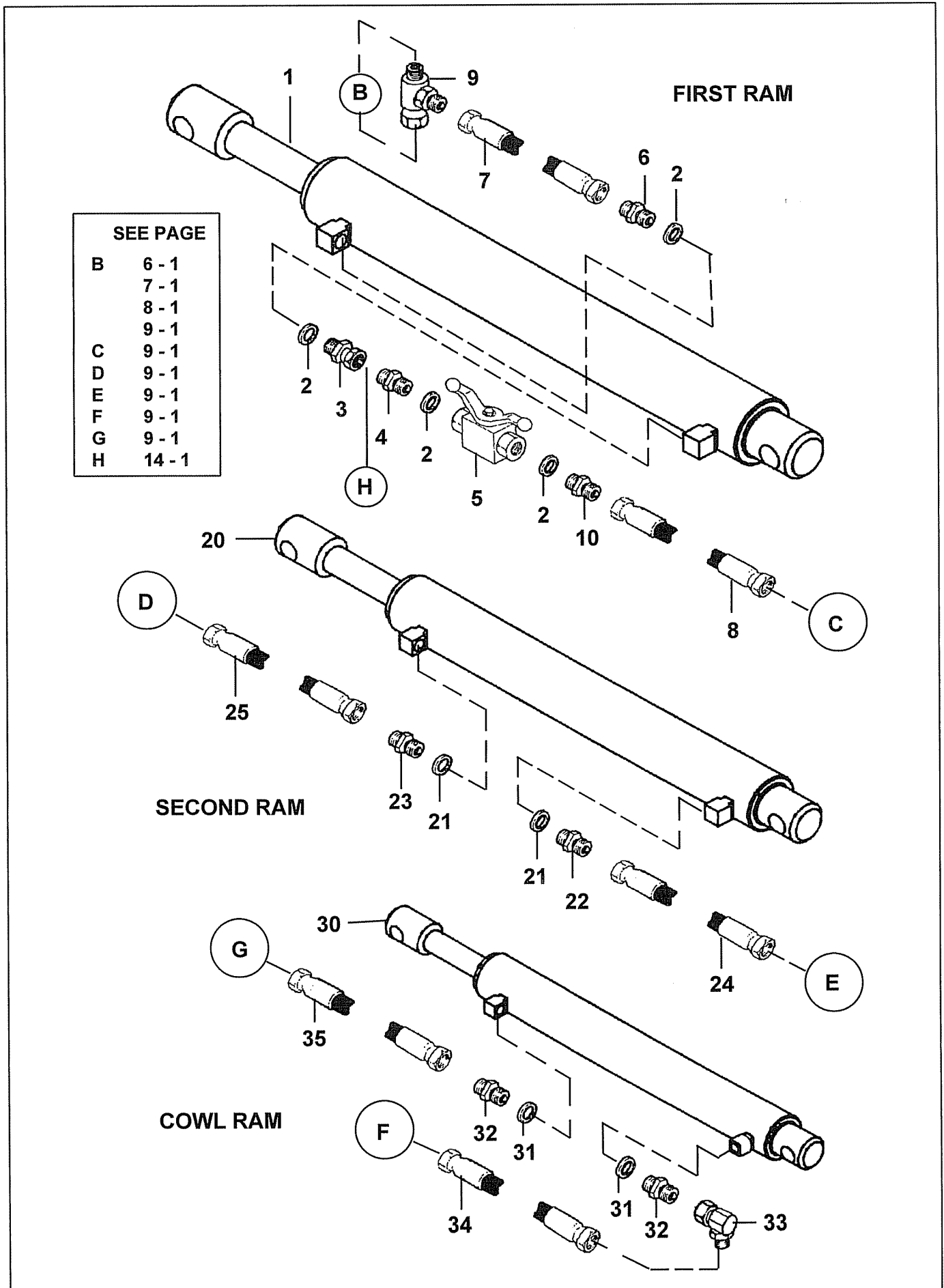
REF	PART NO	DESCRIPTION	QTY
76.426.23 EPPII REMOTE CONTROL ASSEMBLY - CAB SIDE MOUNT			
01	42312.01	BRACKET - CAB MOUNTING	1
*02	08.317.01	PLATE - CONTROL BOX	1
02	05.264.02	SETSCREW M8 X 25MM PLATED	2
02	05.281.01	FLAT WASHER 8MM PLATED	2
02	05.948.07	WING NUT M8 - PLATED	2
*03	30.209.71	CLAMP SINGLE 1"	6
03	30.068.90	BOLT M6 X 55 MM 8.8 GRADE Z/P.	4
03	30.070.64	NUT NYLOC M6.Z/P.	6
04	30.209.73	COVER PLATE	3
*05	08.321.01	PLATE-LEVER MOUNTING	1
05	05.281.01	FLAT WASHER 8MM PLATED	3
05	05.282.01	SPRING WASHER 8MM PLATED	3
05	05.286.01	NUT M8 PLATED	1
05	05.291.05	BOLT M8 X 50MM PLATED	1
05	05.291.06	BOLT M8 X 55MM PLATED	1
05	05.291.07	BOLT M8 X 60MM PLATED	2
05	05.948.37	WING NUT - M6 X 1.0	2
05	30.068.88	BOLT M6 X 45MM 8.8 GRADE Z/P	2
06	06.820.01	DECAL - ROTOR SHAFT CONTROL LEVER	1

*MAIN PART IN GROUP, RELATED PARTS HAVE SAME REFERENCE NUMBER



REF	PART NO	DESCRIPTION	QTY
76.426.22 EPPII REMOTE CONTROL ASSY CAB SEAT MOUNTING			
01	42310.01	BRACKET - SEAT INNER HINGE	1
*02	42311.01	BRACKET - SEAT HINGE OUTER	1
02	05.281.01	FLAT WASHER 8MM PLATED	2
02	05.282.01	SPRING WASHER 8MM PLATED	1
02	05.286.01	NUT M8 PLATED	1
02	05.291.04	BOLT M8 X 45MM PLATED	1
*03	05.264.51	SETSCREW M10 X 65MM PLATED	1
03	05.286.02	NUT M10 PLATED	2
04	09.996.01	SHIM 0.5	2
05	09.996.02	SHIM 1.0	1
*06	30.209.71	CLAMP SINGLE 1"	8
06	05.625.16	SOCKET CAP SCREW M6 X 35 COARSE	8
07	42264.01	PLATE - UNIVERSAL SEAT MTG	1
08	42307.01	BRACKET - KAB SEAT	1

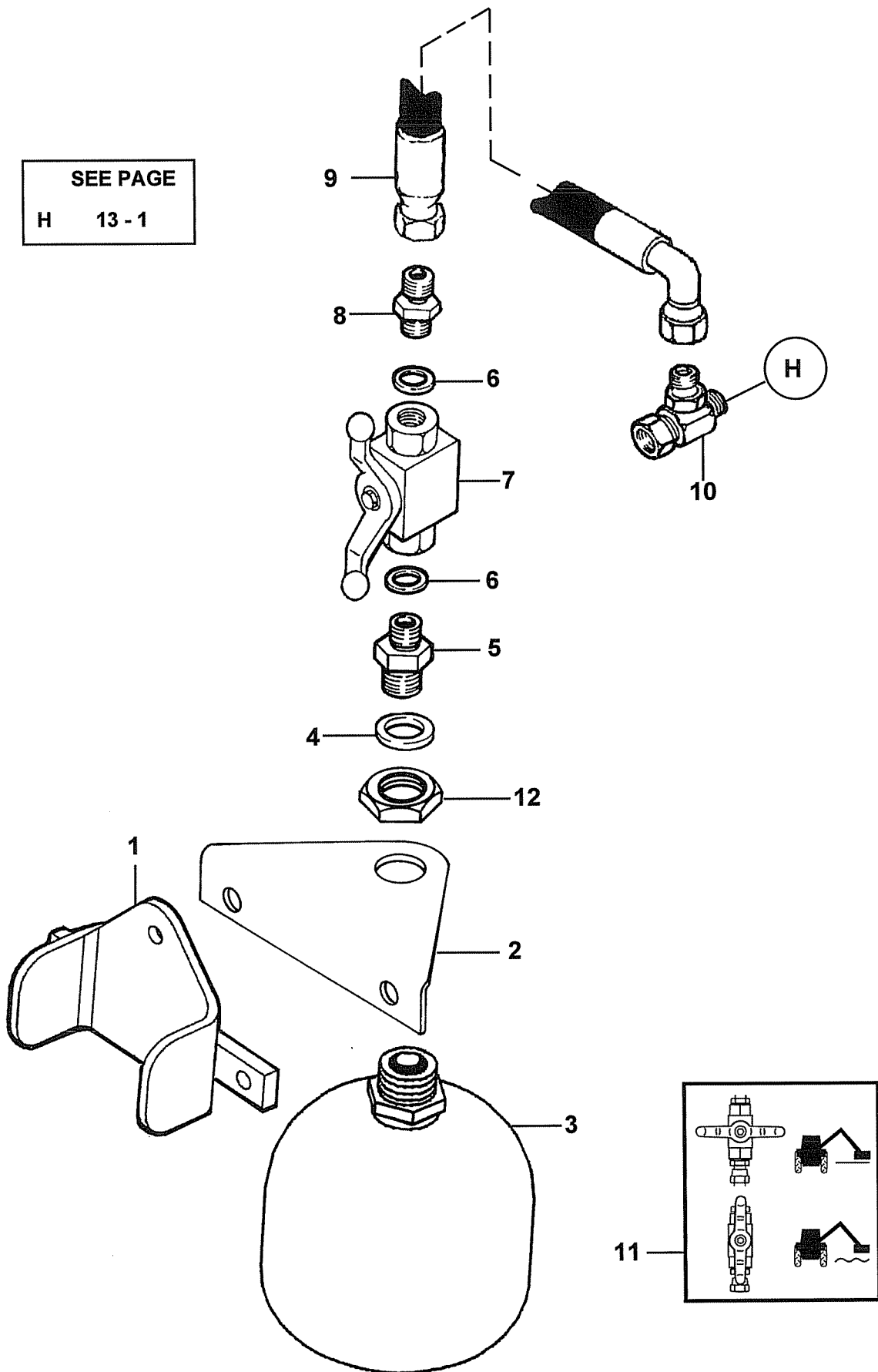
***MAIN PART IN GROUP, RELATED PARTS HAVE SAME REFERENCE NUMBER**



REF	PART NO	DESCRIPTION	QTY
76.389.01 RAM CIRCUIT - 1ST			
*01	09.928.02	RAM ASSY D/A-70 BORE X 615 STK	1
01	05.953.01	GREASE NIPPLE M6	2
01	09.928.01	SEAL KIT FOR 09.928 RAMS	-
02	05.290.04	BONDED SEAL 3/8"BSP	4
03	02.714.01	ADAPTOR-SWIVEL ST 3/8BSP M/F	1
04	05.124.01	ADAPTOR 3/8" BSP X 3/8" BSP	1
05	08.200.01	VALVE - ISOLATING 3/8" BSP	1
06	01.099.01	ADAPTOR 3/8BSP X1/4BSP	1
07	10.001.26	HOSE 1/4"BSP ST X ST S.SEAL 1600	1
08	10.001.26	HOSE 1/4"BSP ST X ST S.SEAL 1600	1
09	04.056.25	ADAPTOR F/M/M 1/2" X 1/2 X 1/4 BSP	1
10	03.028.12	RESTRICTOR 3/8" X 1/4 BSP 1.70	1
76.390.02 RAM CIRCUIT - 2ND			
20	41.099.04	RAM ASSY D/A-75 BORE X 530 STK	1
20	05.953.01	GREASE NIPPLE M6	2
20	41.099.01	SEAL KIT FOR 41.099.XX RAMS	-
21	05.290.04	BONDED SEAL 3/8"BSP	2
22	01.099.01	ADAPTOR 3/8BSP X1/4BSP	1
23	03.028.08	RESTRICTOR 3/8" X 1/4"BSP 1.27	1
24	10.001.28	HOSE 1/4"BSP ST X ST S.SEAL 1800	1
25	10.001.28	HOSE 1/4"BSP ST X ST S.SEAL 1800	1
76.391.02 RAM CIRCUIT - COWL			
*30	09.982.06	RAM ASSY - D/A 60BORE X 430STK	1
30	05.953.01	GREASE NIPPLE M6	2
30	09.982.01	SEAL KIT FOR 09.982.XX RAMS	-
31	05.290.04	BONDED SEAL 3/8"BSP	2
32	03.028.08	RESTRICTOR 3/8" X 1/4"BSP 1.27	2
33	05.835.04	ADAPTOR - SWIVEL 90 1/4"BSP MF	1
34	10.001.48	HOSE 1/4"BSP ST X ST S.SEAL	1
35	10.001.48	HOSE 1/4"BSP ST X ST S.SEAL	1

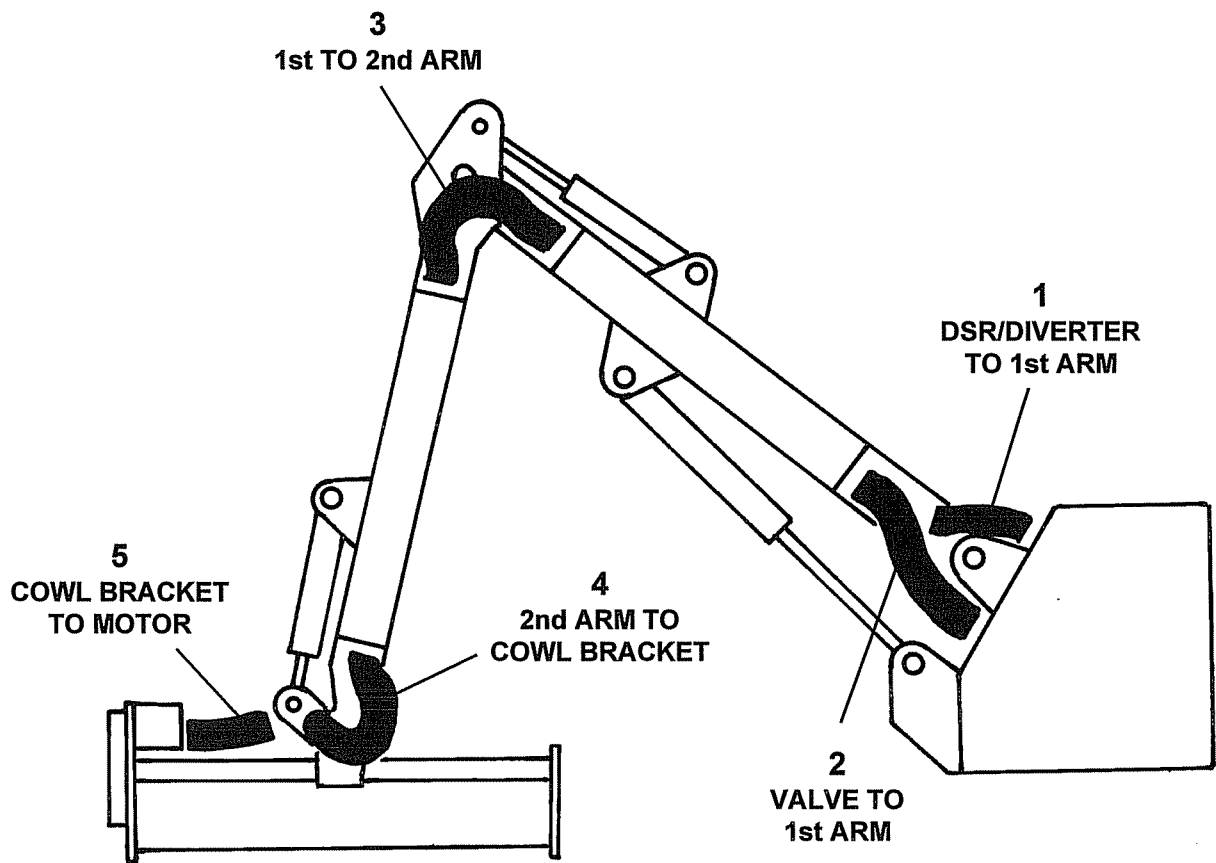
*MAIN PART IN GROUP, RELATED PARTS HAVE SAME REFERENCE NUMBER

SEE PAGE
H 13 - 1



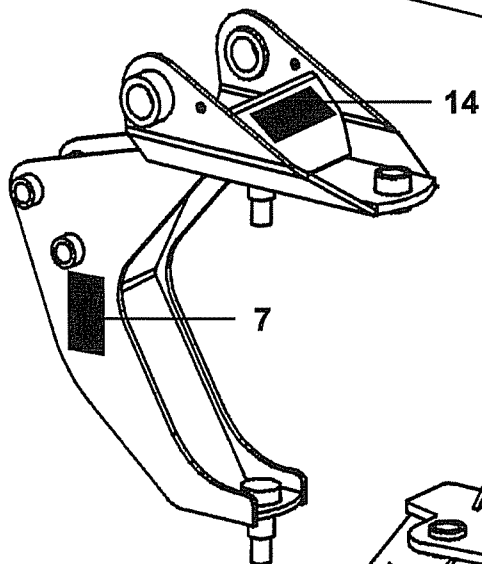
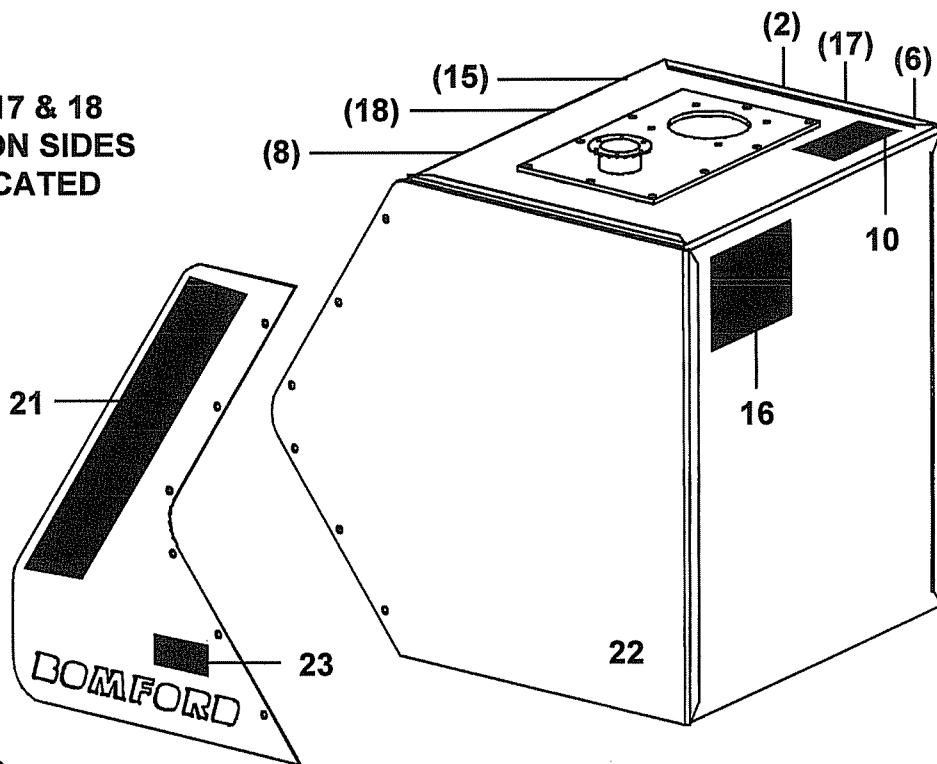
REF	PART NO	DESCRIPTION	QTY
76.420.01 ACCUMULATOR KIT			
*01	42214.01	BRACKET	1
01	05.264.13	SETSCREW M10 X 30MM PLATED	1
01	05.286.02	NUT M10 PLATED	1
*02	43239.01	BRACKET ACCUMULATOR	1
02	05.264.13	SETSCREW M10 X 30MM PLATED	2
02	05.282.02	SPRING WASHER 10MM PLATED	2
02	05.286.02	NUT M10 PLATED	2
03	41451.02	ACCUMULATOR 0.7 LTR (30 BAR)	1
04	05.290.05	BONDED SEAL 1/2"BSP	1
05	05.123.01	ADAPTOR 1/2" BSP X 3/8" BSP	1
06	05.290.04	BONDED SEAL 3/8"BSP	2
07	08.200.01	VALVE - ISOLATING 3/8" BSP	1
08	05.124.01	ADAPTOR 3/8" BSP X 3/8" BSP	1
09	10.004.13	HOSE 3/8"BSP	1
10	11.068.69	ADAPTOR-TEE 3/8F-3/8M+3/8M	1
11	09.852.01	DECAL - ARM FLOAT	1
12	8126035	M33 BULKHEAD NUT	1

*MAIN PART IN GROUP, RELATED PARTS HAVE SAME REFERENCE NUMBER

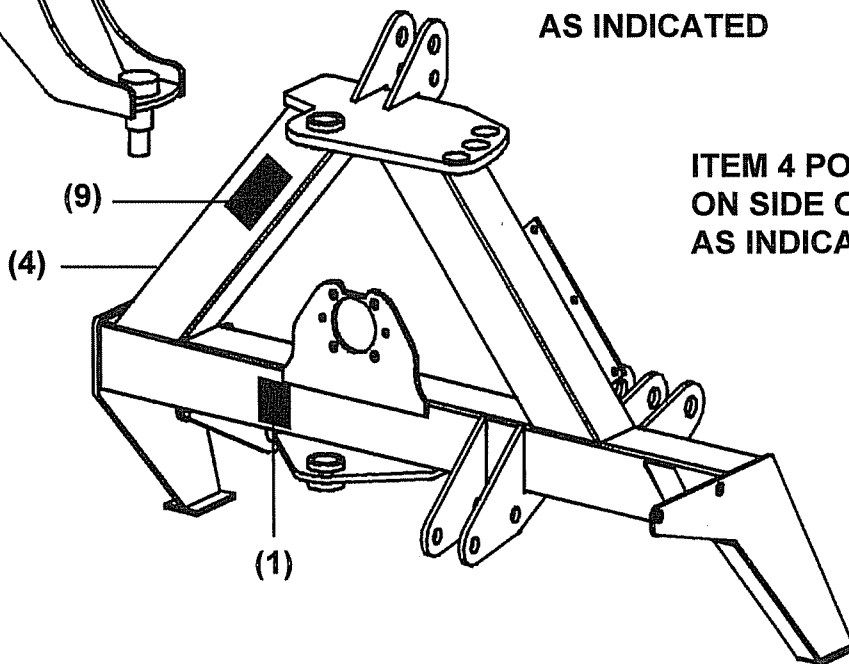


REF	PART NO	DESCRIPTION	QTY
1	43233.22	HOSE COVER	1
2	43233.23	HOSE COVER	1
3	43234.42	HOSE COVER	1
4	43233.21	HOSE COVER	1
5	43233.01	HOSE COVER LH MACHINES	1
5	43233.02	HOSE COVER RH MACHINES	1

ITEMS 2, 6, 8, 15, 17 & 18
ARE POSITIONED ON SIDES
OF TANK AS INDICATED



ITEMS 1 & 9 ARE POSITIONED
ON OPPOSITE SIDE
AS INDICATED



ITEM 4 POSITIONED
ON SIDE OF MAINFRAME
AS INDICATED

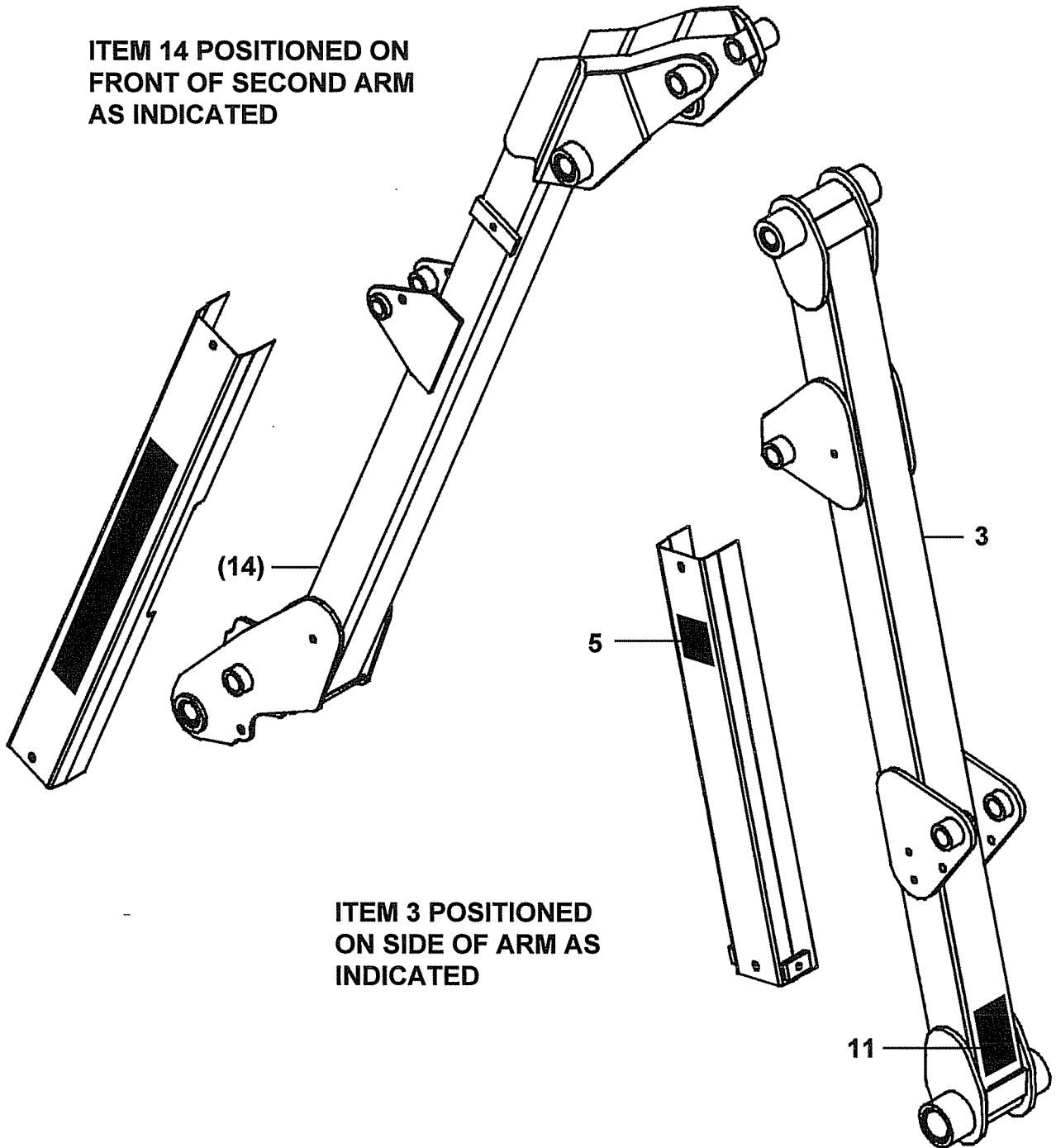
REF	PART NO	DESCRIPTION	QTY
76.392.02 DECALS - B458 LH MARKETING			
*21	42218.01 +	DECAL - BOMFORD LH	1
21	42218.02 ✕	DECAL - BOMFORD RH	1
*22	09.681.02 +	DECAL - DIRECTION ARROW RH	1
22	09.681.01 ✕	DECAL - DIRECTION ARROW LH	1
23	09.980.24	DECAL - B458	1
23	09.980.34	DECAL - GT458	1
74.651.01 DECALS - ENG			
01	09.811.04	DECAL - MAX PTO SPEED 540 ACW	1
02	09.821.01	DECAL - READ INSTRUCTION BOOK	1
03	09.821.02	DECAL - STAY CLEAR O'HD CABLES	1
04	09.821.03	DECAL - DON'T STAND UNDER ARMS	1
05	08.632.01	DECAL - TRANSPORT	1
06	09.821.16	DECAL - KEEP OUT ZONE	1
07	09.821.06	DECAL - SLEW DANGER	1
08	09.821.07	DECAL - RESIDUAL PRESSURE	1
09	09.821.20	DECAL - SHAFT ENTANGLEMENT	1
10	09.821.09	DECAL - HOT SURFACE	1
11	09.821.12	DECAL - ARMS HIT CAB (REAR)	1
12	09.030.01	DECAL - OIL FILTER	1
13	09.810.01	DECAL-GREASE (8 HOURS)	14
14	09.821.23	DECAL - PINCH POINT	2
15	09.844.01	DECAL - OIL LEVEL	1
16	09.845.01	DECAL - APPROVED OILS	1
17	09.846.01	DECAL - OIL FILTER CHANGE	1
18	09.821.10	DECAL - KEEP NUTS TIGHT	1
19	09.843.06	DECAL - LIFT POINT 1500 KG	1

+ LH Machines

✕ RH Machines

***MAIN PART IN GROUP, RELATED PARTS HAVE SAME REFERENCE NUMBER**

ITEM 14 POSITIONED ON
FRONT OF SECOND ARM
AS INDICATED



ITEM 3 POSITIONED
ON SIDE OF ARM AS
INDICATED

REF	PART NO	DESCRIPTION	QTY
76.392.02 DECALS - B458 LH MARKETING			
*21	42218.01 +	DECAL - BOMFORD LH	1
21	42218.02 α	DECAL - BOMFORD RH	1
*22	09.681.02 +	DECAL - DIRECTION ARROW RH	1
22	09.681.01 α	DECAL - DIRECTION ARROW LH	1
23	09.980.24	DECAL - B458	1
23	09.980.34	DECAL - GT458	1
74.651.01 DECALS - ENG			
01	09.811.04	DECAL - MAX PTO SPEED 540 ACW	1
02	09.821.01	DECAL - READ INSTRUCTION BOOK	1
03	09.821.02	DECAL - STAY CLEAR O'HD CABLES	1
04	09.821.03	DECAL - DON'T STAND UNDER ARMS	1
05	08.632.01	DECAL - TRANSPORT	1
06	09.821.16	DECAL - KEEP OUT ZONE	1
07	09.821.06	DECAL - SLEW DANGER	1
08	09.821.07	DECAL - RESIDUAL PRESSURE	1
09	09.821.20	DECAL - SHAFT ENTANGLEMENT	1
10	09.821.09	DECAL - HOT SURFACE	1
11	09.821.12	DECAL - ARMS HIT CAB (REAR)	1
12	09.030.01	DECAL - OIL FILTER	1
13	09.810.01	DECAL-GREASE (8 HOURS)	14
14	09.821.23	DECAL - PINCH POINT	2
15	09.844.01	DECAL - OIL LEVEL	1
16	09.845.01	DECAL - APPROVED OILS	1
17	09.846.01	DECAL - OIL FILTER CHANGE	1
18	09.821.10	DECAL - KEEP NUTS TIGHT	1
19	09.843.06	DECAL - LIFT POINT 1500 KG	1

+ LH Machines

α RH Machines

*MAIN PART IN GROUP, RELATED PARTS HAVE SAME REFERENCE NUMBER