

PM937

B45-45

CUTTING HEAD

PARTS MANUAL

ISSUE 1
SUPPLIMENT

IMPORTANT

NOTE HERE THE SERIAL NUMBER OF YOUR MACHINE AND ALWAYS QUOTE IT IN ANY COMMUNICATION WITH US OR YOUR DEALER. THIS IS PARTICULARLY IMPORTANT WHEN ORDERING SPARES. REMEMBER TO INCLUDE ALL NUMBERS AND LETTERS.

MACHINE SERIAL NUMBERS _____

THE INFORMATION GIVEN THROUGHOUT THIS MANUAL IS CORRECT AT THE TIME OF PUBLICATION. HOWEVER, IN THE COURSE OF CONSTANT DEVELOPMENT OF BOMFORD TURNER MACHINES, CHANGES IN SPECIFICATION ARE INEVITABLE. SHOULD YOU FIND THE INFORMATION GIVEN IN THIS BOOK TO BE AT VARIANCE WITH THE MACHINE IN YOUR POSSESSION, YOU ARE ADVISED TO CONTACT THE BOMFORD TURNER SERVICE DEPARTMENT WHERE UP-TO-DATE INFORMATION WILL BE PROVIDED.

THE MANUAL CAN CONTAIN STANDARD AND OPTIONAL FEATURES AND IS NOT TO BE USED AS A MACHINE SPECIFICATION.

THE MACHINE HAS BEEN TESTED AND IS CONSIDERED SAFE IF CAREFULLY USED. ENSURE YOUR OPERATOR IS PROPERLY TRAINED IN ITS USE AND MAINTENANCE.

IMPORTANT

NOTEZ ICI LES NUMEROS DE SERIE DE VOTRE MACHINE ET MENTIONNEZ LES DANS TOUTE COMMUNICATION AVEC NOS SERVICES OU VOTRE REVENDEUR. CECI EST IMPORTANT POUR LA COMMANDE DE PIECES DETACHEES. PENSEZ A NOTER TOUS LES NUMEROS ET TOUTES LES LETTERS.

NUMEROS DE SERIE DE LA MACHINE _____

LES INFORMATIONS DONNEES DANS CE MANUEL SONT CORRECTES CEPENDANT, DU FAIT DE DEVELOPPEMENT CONSTANT DES MACHINES BOMFORD TURNER.

CHANGEMENTS DANS LES CARACTERISTIQUES SONT INEVITABLES.

SI VOUS TROUVEZ QUE LES INFORMATIONS DONNEES NE CORRESPONDENT PAS A VOTRE MACHINE VEUILLEZ CONTACTER LE SERVICE DES REPARATIONS OU DES INFORMATIONS PLUS RECENTES VOUS SERONT DONNEES. CE MANUEL PEUT MONTRER DES CARACTERISTIQUES OPTIONNELLES ET NE PEUT PAS ETRE CONSIDERE COMME SPECIFICATION DE LA MACHINE.

CETTE MACHINE A ETE TESTEE, ET ELLE EST CONSIDEREE COMME FIABLE A CONDITION D'UNE BONNE UTILISATION. ASSUREZ-VOUS QUE VOTRE OPERATEUR EST QUALIFIE EN CE QUI CONCERNE L'UTILISATION DE LA MACHINE AINSI QUE SON ENTRETIEN.

WICHTIG

TRAGEN SIE HIER DIE SERIENNUMMERN IHRER MASCHINE EIN UND GEBEN SIE DIESE IMMER AN, WENN SIE SICH AN UNS ODER IHREN HÄNDLER WENDEN. DAS IST BESONDERS BEI ERSATZTEILBESTELLUNGEN WICHTIG. VERGESSEN SIE NICHT, ALLE ZAHLEN UND BUCHSTABEN ZU NOTIEREN.

SERIENNUMMERN DER MASCHINE _____

DIE ANGABEN IN DIESEM HANDBUCH SIND BEI VERÖFFENTLICHUNG KORREKT. AUFGRUND DER KONSTANTEN WEITERENTWICKLUNG VON BOMFORD TURNER MASCHINEN SIND JEDOCHÄNDERUGDEN IN DER SPEZIFIKATION UNVERMEIDLICH. WENN DIE INFORMATION IN DIESEM HANDBUCH NICHT MIT IHRER MASCHINE ÜBEREINSTIMMEN, NEHMEN SIE BITTE KONTAKT MIT DER BOMFORD TURNER KUNDENDIENSTABTEILUNG AUF, DIE IHNEN GERNE DIE AKTUELLEN INFORMATION ZUKOMMEN LÄSST.

DAS HANDBUCH KANN SOWOHL BESCHREIBUNGEN FÜR DIE STANDARD AUSFÜHRUNG ALS AUCH FÜR ZUBEHÖR ENTHALTEN UND IST NICHT ALS MASCHINENSPEZIFIKATION ZU VERWENDET.

DIE MASCHINE IST GETESTET UND BEI SACHGEMÄSSEM BETRIEB ALS SICHER BEFUNDEN WORDEN. SORGEN SIE DAFÜR, DASS IHR BEDIENPERSONAL IN ANWENDUNG UND WARTUNG RICHTIG GESCHULT WIRD.

NOTE: PAGE & ILLUSTRATION NUMBERS SHOWN ARE USED ONLY FOR REFERENCE PURPOSES AND SHOULD NOT BE USED FOR ORDERING SPARE PARTS. PLEASE GIVE FULL PART NUMBER AND DESCRIPTION WHEN ORDERING SPARE PARTS.

FOR MACHINE WITH SERIAL NUMBERS COMMENCING FROM:

MAINFRAME5268Z.....
COWL1389YA.....

PAGE NO.	TITLE	SCHEDULE NO.
2-1 TO 2-2	MAINFRAME	71.964.02
	A FRAME	71.992.01
3-1 TO 3-2	CONTROL VALVE ASSEMBLY	71.967.01
4-1 TO 4-2	REMOTE CONTROL ASSEMBLY	71.965.02
5-1 TO 5-3	GEARBOX/PTO	71.960.02
	PUMP ASSEMBLIES	71.961.01
	PUMP CIRCUIT	71.962.01
6-1 TO 6-4	RAMS AND HOSES	71.970.01
7-1 TO 7-2	ARM-MAINFRAME	71.951.01
	BRACKET-MAINFRAME ARM	71.982.02
8-1 TO 8-3	ARM-FIRST	71.953.01
	BREAKOUT ASSEMBLY	71.983.02
9-1 TO 9-2	PARALLEL ARM	71.955.01
10-1 TO 10-2	TANK	71.950.01
11-1 TO 11-3	COWL ASSEMBLY	71.956.02
		72.120.01
		72.121.01
	ROLLER ASSEMBLY	71.024.03
12-1 TO 12-4	COWL PIVOT ASSEMBLY	71.957.01
	CHAIN AND SPROCKET ASSEMBLY	71.958.01
	RAM ASSEMBLY	71.959.01
13-1 TO 13-2	BEARING ASSEMBLY	71.025.02
	ROTOR SHAFT ASSEMBLY	71.308.02
14-1 TO 14-2	MOTOR ASSEMBLY	71.029.05
		71.023.01
15-1 TO 15-2	DECAL-COWL	71.981.01
	DECAL-BASE	71.963.01
	HYDRAULIC RAMS	
16-1	FIRST RAMS: DOUBLE ACTING	- 06.604.20
17-1	MAINFRAME RAM: DOUBLE ACTING	- 06.467.15
18-1	SECOND RAM: DOUBLE ACTING	- 02.903.12
19-1	COWL RAM: DOUBLE ACTING	- 03.842.35
20-1	AUTO-RETURN RAM	- 02.785.32

THE ILLUSTRATIONS AND TEXT COMBINE STANDARD, ALTERNATIVE AND OPTIONAL PARTS AND MUST NOT BE USED AS A PRODUCT SPECIFICATION.

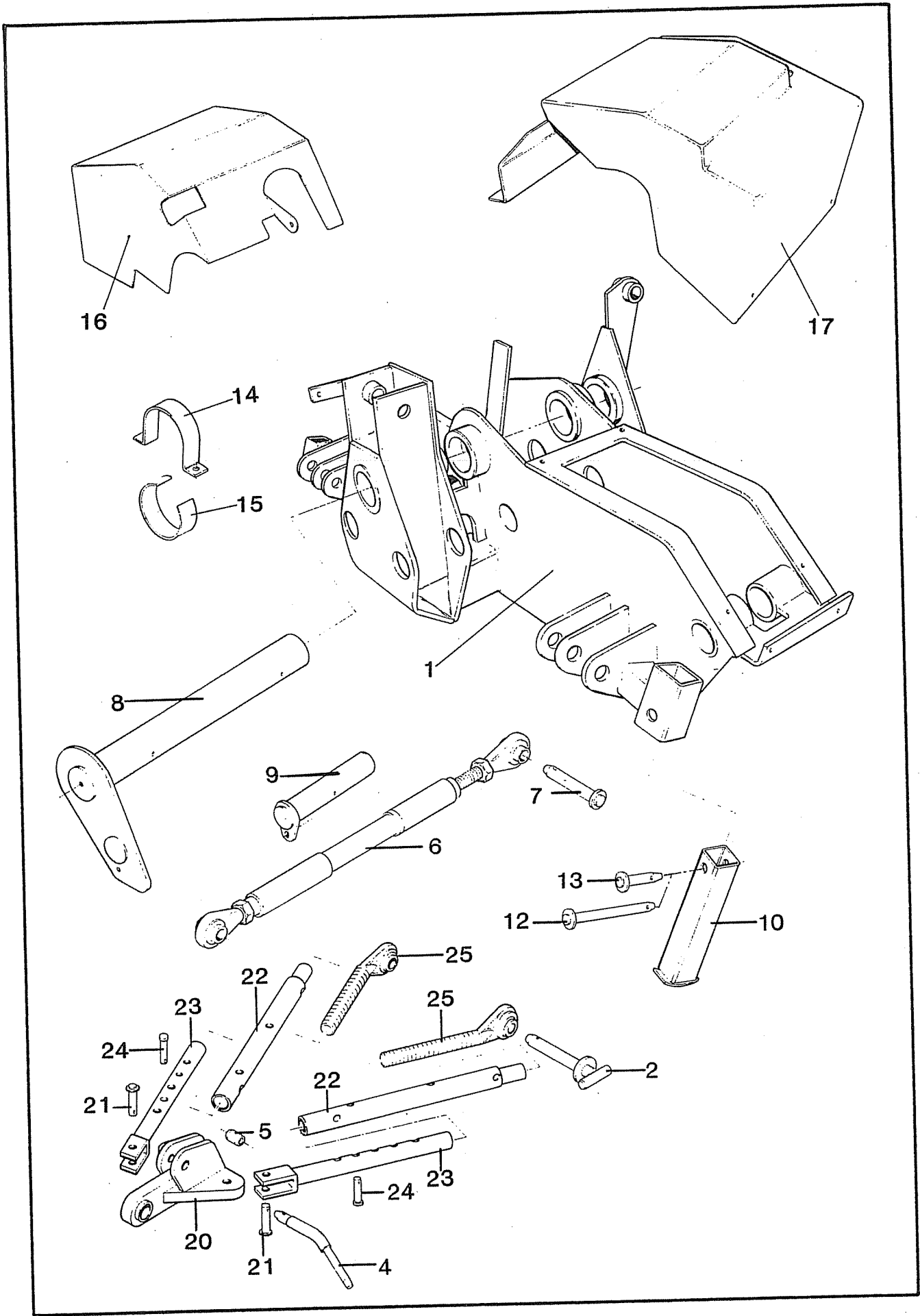
IMPORTANT

IT IS POTENTIALLY HAZARDOUS TO FIT OR USE
ANY PARTS OTHER THAN GENUINE BOMFORD TURNER PARTS.

THE COMPANY DISCLAIMS ALL LIABILITY FOR THE
CONSEQUENCES OF SUCH USE, WHICH IN ADDITION
VOIDS THE MACHINE WARRANTY.

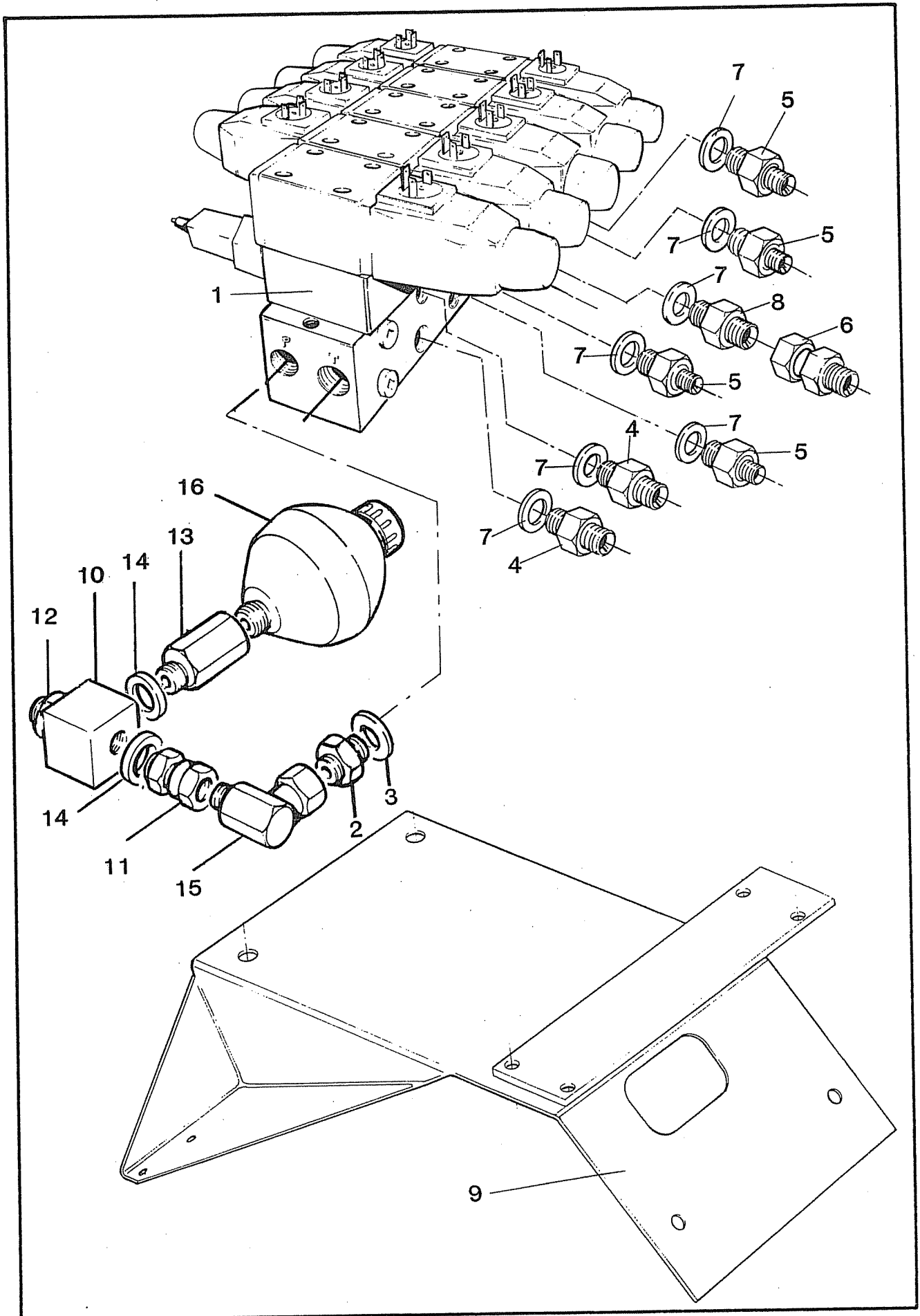
THIS MACHINE IS FOR VEGETATION CONTROL AND
MUST NOT BE USED FOR ANY OTHER PURPOSE

CHECK REAR OF MANUAL FOR UPDATES



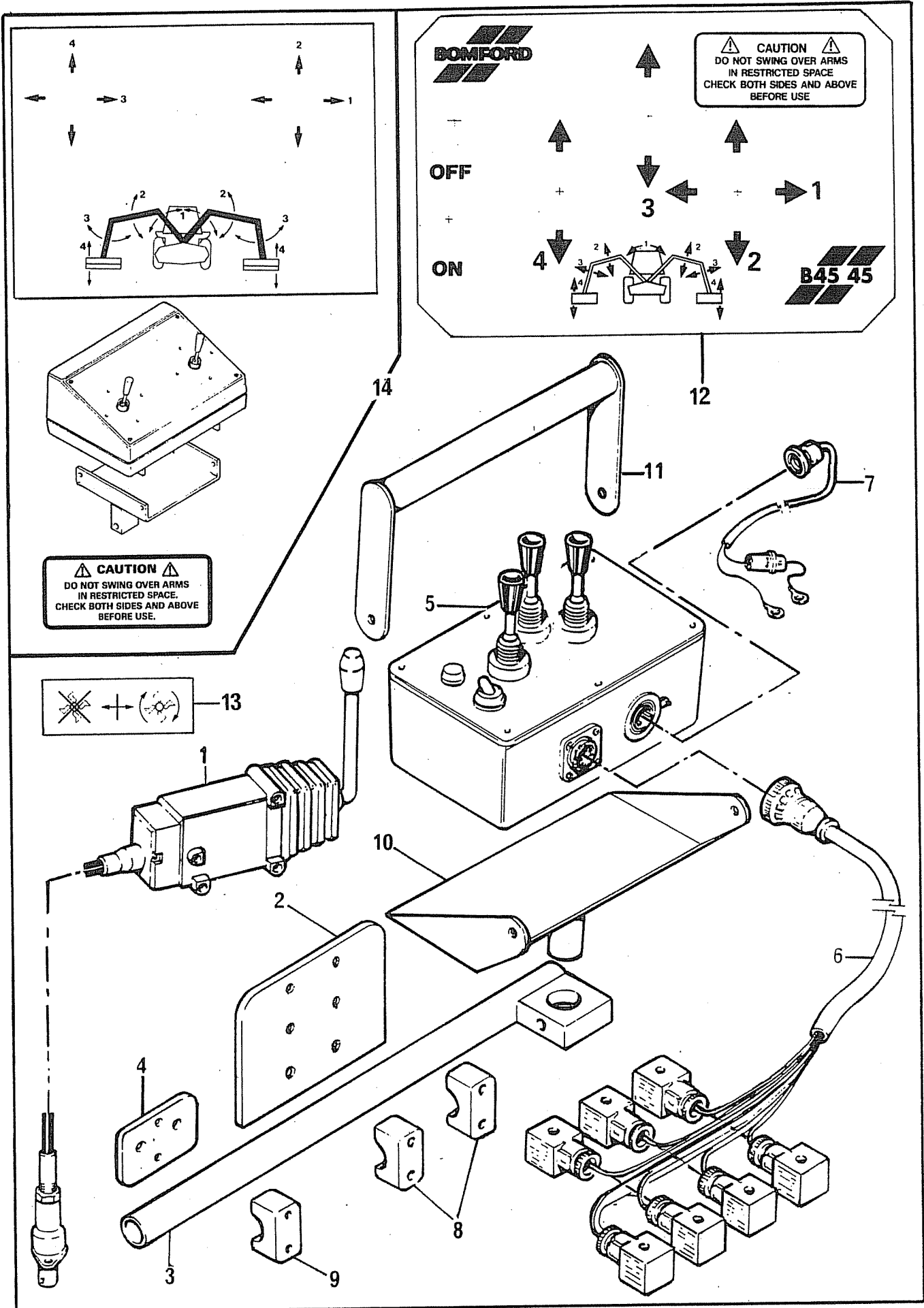
REF	PART NO.	DESCRIPTION	QTY
<u>71.964.02</u>		<u>MAINFRAME</u>	
*01	07.580.02	MAINFRAME	1
01	05.227.01	HAMMER DRIVE SCREW NO.6 X 3/8"	2
01	05.774.04	SERIAL NO. PLATE (BOMFORD)	1
*02	07.574.01	PIN - 1.1/8" X 152MM	2
02	00.372.01	LINCH PIN	2
*04	02.068.01	PIN 3/4"DIA X 1" X 248MM PLATED	1
04	00.372.01	LINCH PIN	1
*05	03.872.02	SPACER 25 O/D X 19.5 I/D X 50MM	1
*06	07.584.01	TOP LINK - STANDARD DUTY	1
*07	03.609.01	PIN 25 DIA X 145	1
07	00.372.01	LINCH PIN	1
*08	03.658.03	PIN 70 DIA X 597MM	1
08	03.786.02	INSTRUCTION PLATE-GREASE M10	2
08	05.264.23	SETSCREW M12 X 30MM PLATED	1
08	05.282.03	SPRING WASHER 12MM PLATED	1
08	05.286.03	NUT M12 PLATED	1
08	05.953.03	GREASE NIPPLE M10	1
08	05.953.04	GREASE NIPPLE M10 90	1
*09	03.657.20	PIN 50 DIA X 228MM	1
09	03.786.02	INSTRUCTION PLATE-GREASE M10	1
09	04.174.01	STUD M12 X 38MM	1
09	05.281.03	FLAT WASHER 12MM PLATED	1
09	05.953.03	GREASE NIPPLE M10	1
09	05.968.03	SELF LOCKING NUT M12 (FINE)	1
*10	07.741.01	STAND	4
*12	03.652.11	PIN 20 DIA X 212MM	4
12	00.372.01	LINCH PIN	4
*13	03.652.01	PIN 20 DIA X 90	4
13	00.372.01	LINCH PIN	4
*14	00.858.01	CLAMP - HYDRA-CUSHION	1
14	05.264.13	SETSCREW M10 X 30MM PLATED	2
14	05.282.02	SPRING WASHER 10MM PLATED	2
14	05.286.02	NUT M10 PLATED	2
*15	06.862.01	PACKER-ACCUMULATOR	1
*16	07.614.01	COVER - MAINFRAME RH	1
16	05.264.12	SETSCREW M10 X 25MM PLATED	2
16	05.281.02	FLAT WASHER 10MM PLATED	2
16	05.282.02	SPRING WASHER 10MM PLATED	2
*17	07.613.01	COVER - MAINFRAME LH	1
*17	07.613.02	COVER-MAINFRAME LH	1
17	05.264.12	SETSCREW M10 X 25MM PLATED	4
17	05.281.02	FLAT WASHER 10MM PLATED	4
17	05.282.02	SPRING WASHER 10MM PLATED	4
<u>71.992.01</u>		<u>A FRAME</u>	
*20	07.740.01	UPPER HITCH JOINT	1
*21	03.652.12	PIN 20 DIA X 65 LONG	2
21	05.201.11	TENSION PIN 5MM X 45MM	2
21	05.281.05	FLAT WASHER 20MM PLATED	2
*22	07.738.01	OUTER TUBE - A FRAME	2
*23	07.739.01	INNER ROD - A FRAME	2
*24	07.737.01	PIN - A FRAME	2
24	05.964.01	SPRING COTTER 3.6MM DIA	2
*25	07.731.01	BALL END - A FRAME	2
*MAIN PART IN GROUP, RELATED PARTS HAVE SAME REFERENCE NUMBER			

-- May 1990
June 1990 --



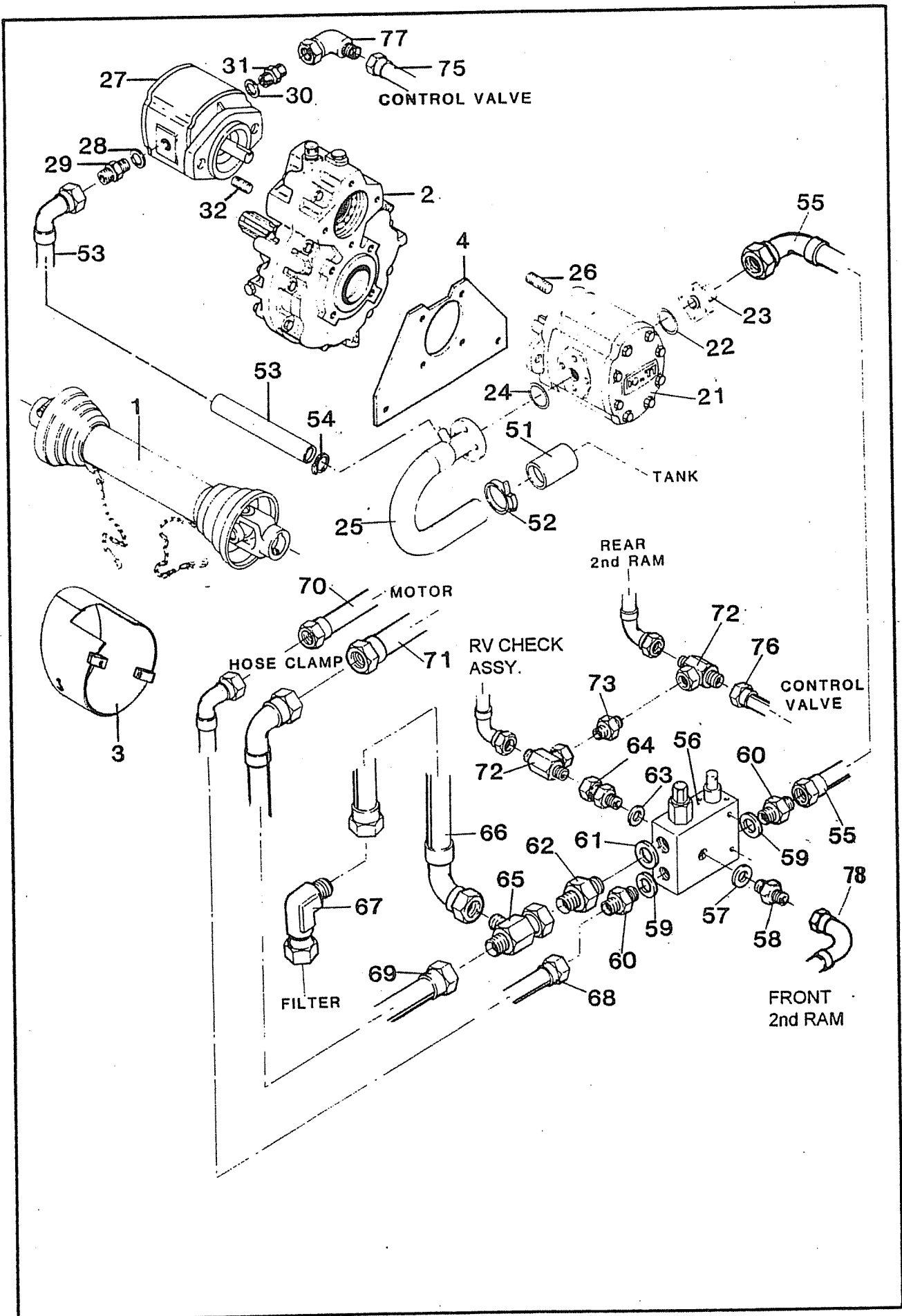
REF	PART NO.	DESCRIPTION	QTY	SERIAL NO. FROM - TO
71.967.03				
*01	07.635.01	CONTROL VALVE ASSEMBLY VICKERS	1	
01	07.635.02	SEAL KIT (07.635.01 VALVE)	-	
*02	05.123.01	ADAPTOR 1/2" BSP X 3/8" BSP	2	
*03	05.290.05	BONDED SEAL 1/2" BSP	2	
*04	05.124.01	ADAPTOR 3/8" BSP X 3/8" BSP	2	
*05	01.099.01	ADAPTOR 3/8" BSP X 1/4" BSP	4	
*06	02.714.01	ADAPTOR-SWIVEL ST 3/8" BSP M/F	1	
*07	05.290.04	BONDED SEAL 3/8" BSP	7	
*08	05.124.01	ADAPTOR 3/8" BSP X 3/8" BSP	1	
*09	07.624.02	PLATE - VALVE MOUNTING	1	June 1990 --
*09	07.624.01	PLATE - VALVE MOUNTING	1	-- May 1990
09	30.071.19	WASHER, SPRING M5 (GROVER)	4	
09	30.073.93	SCREW M5 X 16MM 8.8 GRADE	4	
09	05.264.11	SETSCREW M10 X 20MM PLATED	2	
09	05.282.02	SPRING WASHER 10MM PLATED	2	
*10	00.954.01	DISTRIBUTION BLOCK	1)	
*11	02.714.01	ADAPTOR SWIVEL ST 3/8" BSP MF	1)	
*12	05.124.01	ADAPTOR 3/8" BSP X 3/8" BSP	1)	
*13	08.128.09	ADAPTOR M18 X 3/8" BSP	1)	1991
*14	05.290.04	BONDED SEAL 3/8" BSP	3)	PRODUCTION
*15	05.835.01	ADAPTOR SWIVEL 90	1)	
*16	08.746.01	ACCUMULATOR 0.16 LTRS	1)	

*MAIN PART IN GROUP, RELATED PARTS HAVE SAME REFERENCE NUMBER



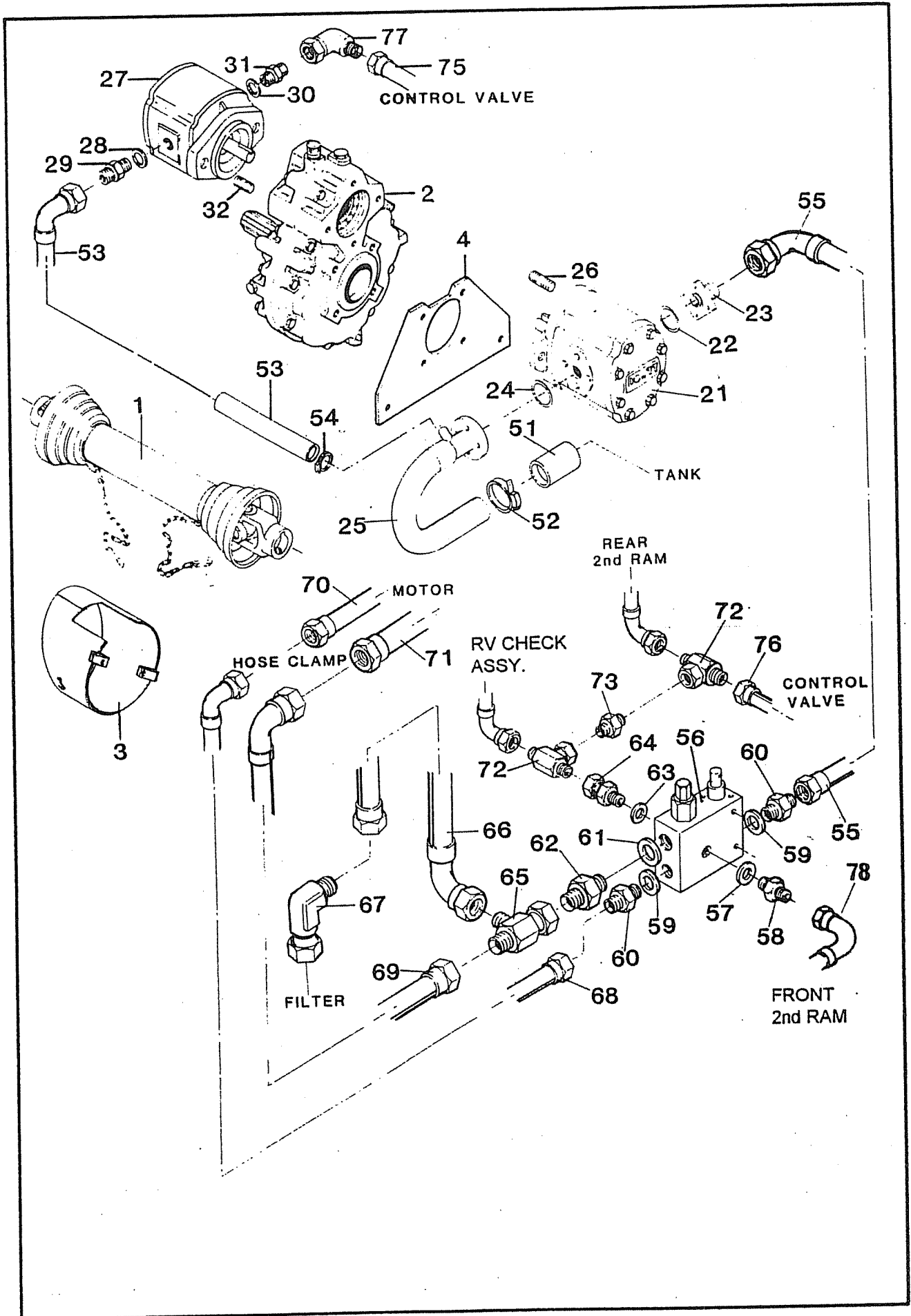
REF	PART NO.	DESCRIPTION	QTY	SERIAL NO. FROM - TO
71.965.02				
01	04.265.08	LEVER ASSY	-	
01	04.265.11	BUSH	-	
01	04.265.19	SPRING COVER	-	
01	04.265.24	USE 04.265.38 LEVER	-	
01	04.265.28	PIN	-	
01	04.265.33	CABLE ASSY 2.5M	-	
*01	04.265.35	REMOTE CONTROL ASSY-1BANK 2.5M	1	
02	05.264.02	SETSCREW M8 X 25MM PLATED	2	
02	05.281.01	FLAT WASHER 8MM PLATED	2	
02	05.282.01	SPRING WASHER 8mm PLATED	2	
02	05.948.07	WING NUT M8 - PLATED	2	
*02	08.317.01	PLATE - CONTROL BOX	1	
03	05.264.12	SETSCREW M10 X 25MM PLATED	1	
*03	08.318.01	TUBE - CONTROL BOX MOUNTING	1	
04	05.281.01	FLAT WASHER 8MM PLATED	2	
04	05.282.01	SPRING WASHER 8MM PLATED	2	
04	05.291.07	BOLT M8 X 60MM PLATED	2	
04	05.948.07	WING NUT M8 - PLATED	2	
*04	08.321.01	PLATE - LEVER MOUNTING	1	
*05	08.558.01	CONTROL BOX B45-45 3 JOYSTICK	1	
05	05.286.09	NUT M5 PLATED	4	
05	05.287.09	SPRING WASHER 5MM PLATED	4	
*06	07.632.02	WIRING HARNESS	1	
06	07.835.02	GASKET FOR HIRSCHMAN CONNECTOR	9	
06	07.835.03	SCREW FOR HIRSCHMANN CONNECTOR	9	
*07	06.616.01	CABLE ASSY - 2 CORE X5.5M	1	
07	06.616.02	FUSE - 15A IN-LINE	-	
08	30.070.64	NUT NYLOC M6.Z/P.	4	
08	30.209.71	CLAMP SINGLE 1"	4	
*08	30.209.73	COVER PLATE	2	
08	30.068.90	BOLT M6 X 55MM 8.8 GRADE Z/P	4	
09	30.068.88	BOLT M6 X 45 MM 8.8 GRADE Z/P.	2	
09	30.209.71	CLAMP SINGLE 1"	2	
*09	30.209.73	COVER PLATE	1	
*10	08.319.01	PLATE- CONTROL BOX MOUNTING	1	
11	05.839.05	SETSCREW M6 X 16MM PLATED	2	
*11	08.320.01	ARM REST	1	
11	30.070.64	NUT NYLOC M6.Z/P.	2	
*12	08.312.02	DECAL B45-45 3 JOYSTICK	-	
*13	06.820.01	DECAL-ROT.SHAFT CONTROL LEVER	1	
*14	07.637.01	JOYSTICK CONTROL BOX	-)
14	07.104.03	DECAL-JOYSTICK OPERATION	-) PRE SERIAL NO.
14	08.322.01	DECAL-CAUTION	-) 1388Y

*MAIN PART IN GROUP, RELATED PARTS HAVE SAME REFERENCE NUMBER



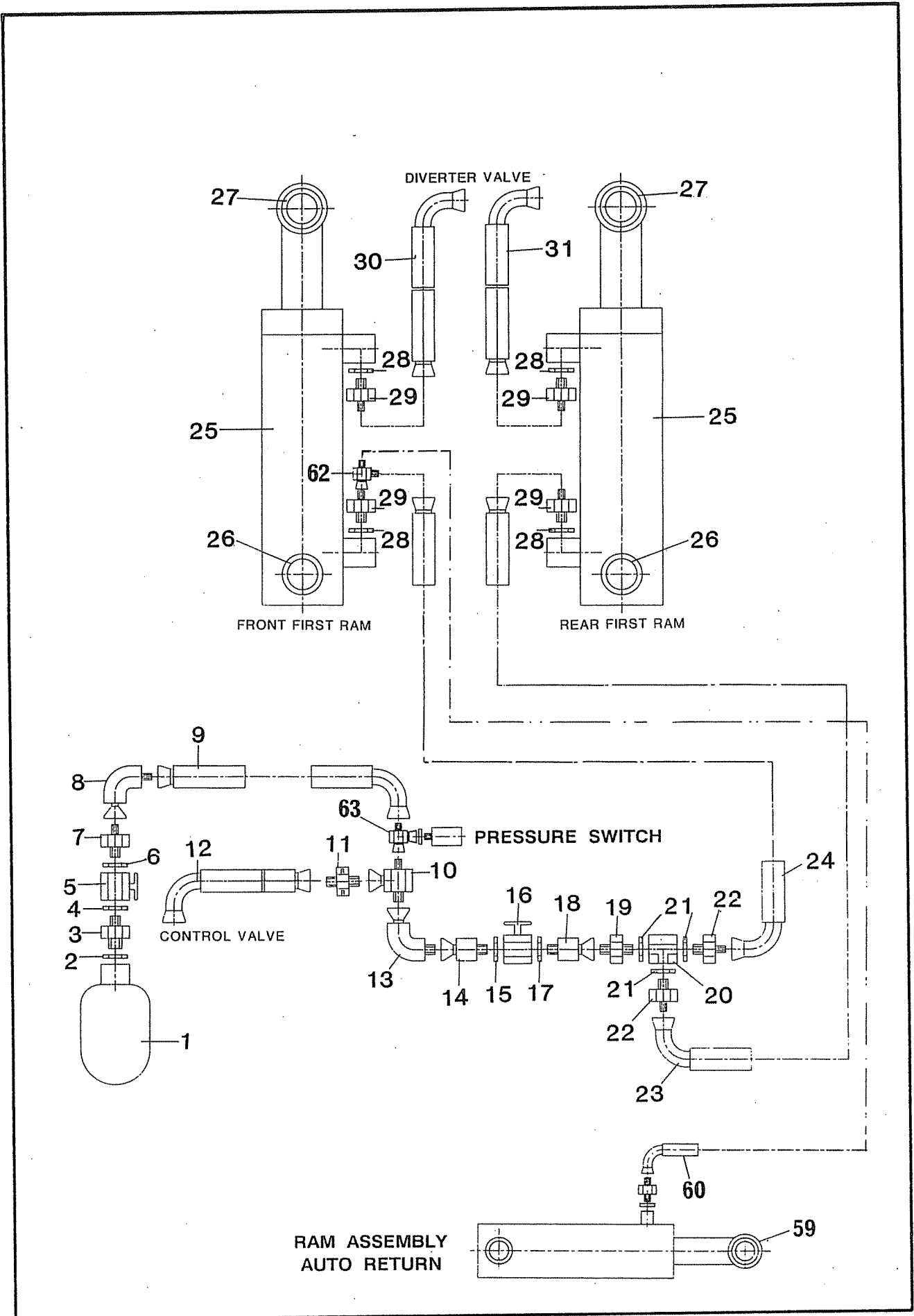
REF	PART NO.	DESCRIPTION	QTY	SERIAL NO. FROM - TO
71.960.02		GEARBOX/PTO		
*01	04.402.01	PTO SHAFT ASSY 560MM C/C	1	
01	04.402.02	P.T.O GUARD ASSY 560MM C/C	-	
01	06.154.13	PTO JOURNAL BEARING KIT	-	
*02	02.866.40	GEARBOX ASSY (TWIN PUMP)	1	-2950Y
*02	07.727.03	GEARBOX ASSY - 100 LITRE (TWIN PUMP)	1	2951Y-
02	05.282.03	SPRING WASHER 12MM PLATED	4	
02	05.286.03	NUT M12 PLATED	2	-2950Y
02	05.291.25	BOLT M12 X 50MM PLATED	2	-2950Y
02	05.264.22	SETSCREW M12 X 25MM PLATED	4	2951Y-
*03	07.565.01	GUARD - PTO	1	-2950Y
*03	07.729.01	GUARD - PTO	1	2951Y-
03	05.264.03	SETSCREW M8 X 30MM PLATED	2	-2950Y
03	05.264.22	SETSCREW M12 X 25MM PLATED	2	2951Y-
03	05.282.01	SPRING WASHER 8MM PLATED	2	-2950Y
03	05.282.03	SPRING WASHER 12MM PLATED	2	2951Y-
*04	07.597.01	STRAP - GEARBOX	1	-2950Y
*04	07.728.01	PLATE - GEARBOX MOUNTING	1	2951Y-
04	05.282.03	SPRING WASHER 12MM PLATED	2	
04	05.286.03	NUT M12 PLATED	2	
04	05.291.23	BOLT M12 X 40MM PLATED	2	
*05	02.899.01	PIN 12 DIA X 48MM	1	-2950Y
05	05.964.01	SPRING COTTER 3.6MM DIA	1	-2950Y
71.961.02		PUMP ASSEMBLIES		
*21	05.650.03	PUMP ASSY (207 BAR)	1	
21	01.071.13	KEY-SEP 1/4" X 1/4" X 1"	-	
21	05.642.02	SEAL KIT (05.650 PUMPS)	-	
*22	05.656.01	"O" RING 25 I/D X 2.5	1	
*23	03.864.01	ADAPTOR-FLANGED 3/4" BSP PLATED	1	
23	05.657.01	SCKT CAPSCRW 5/16" UNC X 7/8" PLT	4	
*24	05.656.03	"O"RING 25 I/D X 3.53	1	
*25	07.596.01	PIPE - STEEL 1.1/2" O/D	1	
25	05.657.01	SCKT CAPSCRW 5/16" UNC X 7/8" PLT	4	
*26	03.100.01	STUD M10 X 34MM	2	
26	05.282.02	SPRING WASHER 10MM PLATED	2	
26	05.286.02	NUT M10 PLATED	2	
*27	09.537.02	PUMP-SPARE ALSO SUPPLY 0716701	1	
27	06.415.02	SEAL KIT (06415 PUMP)	-	
*28	05.290.05	BONDED SEAL 1/2" BSP	1	
*29	05.376.01	ADAPTOR 3/4" BSP X 1/2" BSP	1	
*30	05.290.05	BONDED SEAL 1/2" BSP	1	
*31	05.123.01	ADAPTOR 1/2" BSP X 3/8" BSP	1	
*32	03.100.01	STUD M10 X 34MM	2	
32	05.282.02	SPRING WASHER 10MM PLATED	2	
32	05.286.02	NUT M10 PLATED	2	

*MAIN PART IN GROUP, RELATED PARTS HAVE SAME REFERENCE NUMBER.



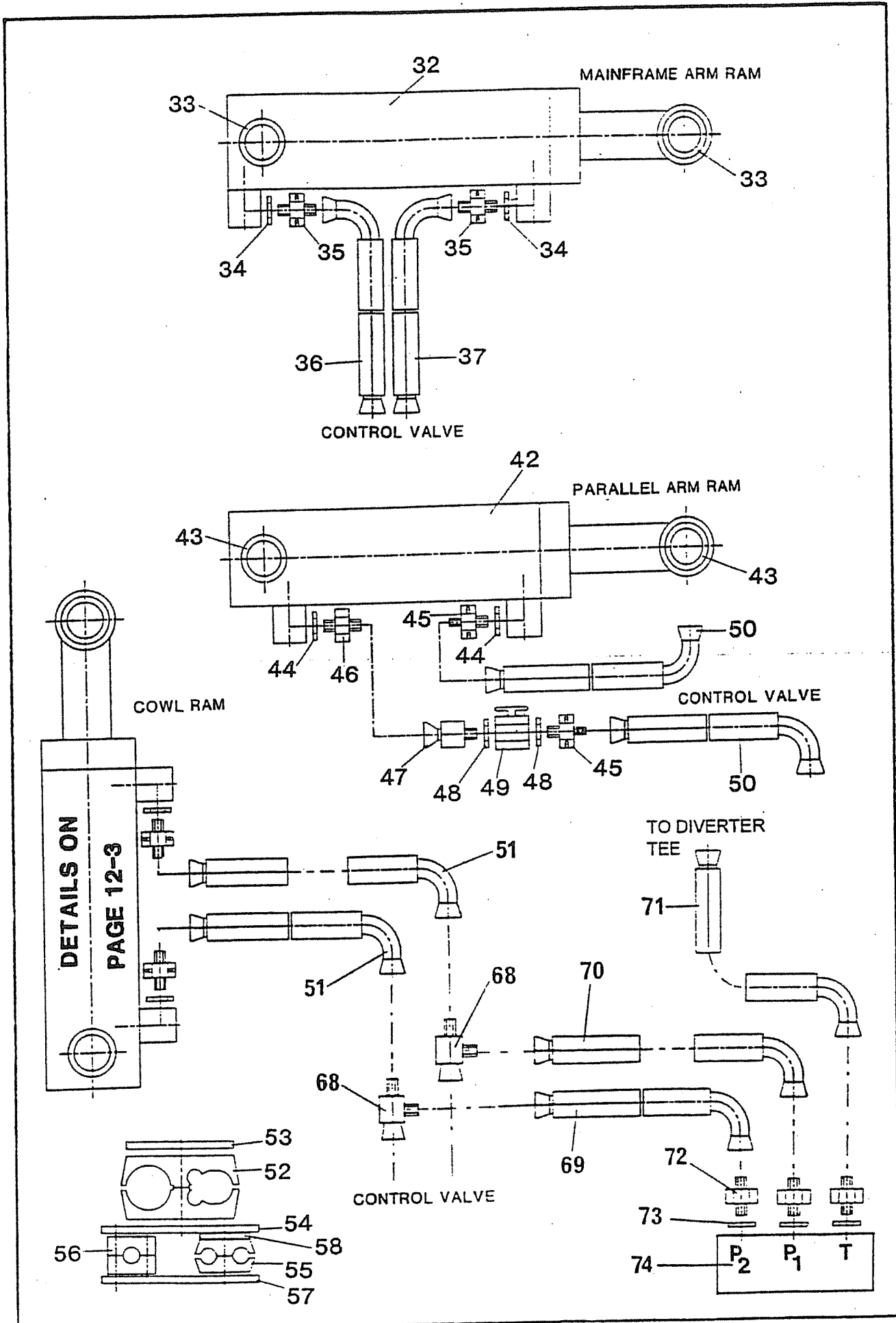
REF	PART NO.	DESCRIPTION	QTY	SERIAL NO. FROM - TO
71.962.01		PUMP CIRCUIT		
*51	05.988.01	HOSE 1.1/2" BSP X 380MM 90 DEG X PLAIN	1	
*52	05.863.02	JUBILEE CLIP 2"DIA	1	
*53	05.994.93	HOSE 3/4" BSP X 330MM 90 DEG X PLAIN	1	
*54	05.863.03	JUBILEE CLIP 25MM DIA	1	
*55	05.994.18	HOSE 3/4" BSP X 950MM 90 DEG X ST	1	
*56	06.284.01	RELIEF VALVE/DIVERTER ASSY	1	
56	05.282.01	SPRING WASHER 8MM PLATED	2	
56	05.286.01	NUT M8 PLATED	2	
56	05.291.08	BOLT M8 X 65MM PLATED	2	
56	05.657.01	SCKT CAPSCRW 5/16" UNC X 7/8" PLT	2	
56	06.284.02	SEAL KIT FOR (06.284.01) VALVE	-	
56	06.299.03	RELIEF VALVE CARTRIDGE 207 BAR	-	
*57	05.117.01	COPPER WASHER 3/8" BSP	1	
*58	01.099.01	ADAPTOR 3/8 P PLATED	1	
*59	05.290.06	BONDED SEAL 3/4" BSP	2	
*60	05.377.01	ADAPTOR 3/4" BSP X 3/4" BSP	2	
*61	05.290.07	BONDED SEAL 1" BSP	1	
*62	05.434.01	ADAPTOR 1" BSP X 1" BSP	1	
*63	05.290.04	BONDED SEAL 3/8" BSP	1	
*64	02.714.01	ADAPTOR-SWIVEL ST 3/8" BSP M/F	1	
*65	04.056.02	ADAPTOR-SWIVEL TEE 1" BSP F/M/M	1	
*66	05.996.27	HOSE 1" BSP X 1350MM 90 DEG X ST	1	
*67	05.835.02	ADAPTOR-SWIVEL 90 1" BSP M/F	1	
*68	05.994.24	HOSE 3/4" BSP X 1200MM 90 DEG X ST	1	
*69	05.996.22	HOSE 1" BSP X 1100MM 90 DEG X ST	1	
*70	05.994.75	HOSE 3/4" BSP X 5500MM 90 DEG X ST	1	
*71	05.996.75	HOSE 1" BSP X 5500MM 90 DEG X ST	1	
*72	04.056.04	TEE ADAPTOR 3/8" X 1/4" X 3/8"	2	
*73	05.124.01	ADAPTOR 3/8" BSP X 3/8" BSP	1	
*75	05.991.26	HOSE 3/8" BSP X 1600MM 90 DEG X ST	1	
*76	05.991.16	HOSE 3/8" BSP X 800MM 90 DEG X ST	1	
*77	05.835.01	ADAPTOR-SWIVEL 90 DEG 3/8" M/F	1	
	30.207.27	TARPAULIN COVER 1 x 2.4M	1	
*78	05.290.04	BONDED SEAL 3/8"	1	

*MAIN PART IN GROUP, RELATED PARTS HAVE SAME REFERENCE NUMBER



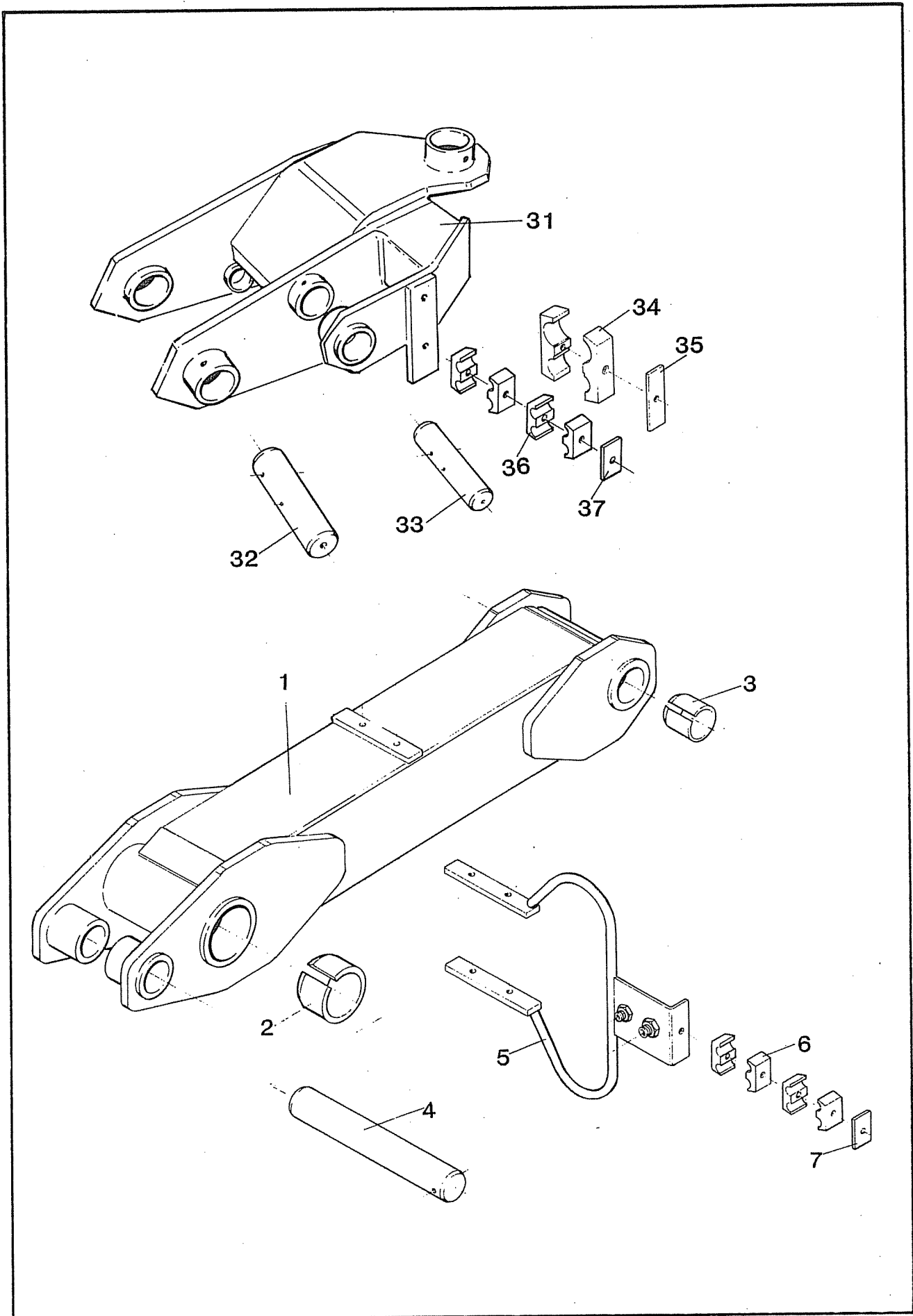
REF	PART NO.	DESCRIPTION	QTY	SERIAL NO. FROM - TO
71.970.03				
*01	06.861.01	ACCUMULATOR 0.7 LTR (30 BAR)	1	
*02	05.290.05	BONDED SEAL 1/2"BSP	1	
*03	05.123.01	ADAPTOR 1/2" BSP X 3/8" BSP	1	
*04	05.290.04	BONDED SEAL 3/8"BSP	1	
*05	08.200.01	VALVE - ISOLATING 3/8" BSP	1	
*06	05.290.04	BONDED SEAL 3/8"BSP	1	
*07	01.099.01	ADAPTOR 3/8BSP X1/4BSP	1	
*08	05.835.04	ADAPTOR - SWIVEL 90 1/4"BSP MF	1	
*09	05.990.22	HOSE 1/4"BSP X 1200MM 90XST	1	
*10	04.056.04	TEE ADAPTOR 3/8"X 1/4"X 3/8"	1	
*11	05.124.01	ADAPTOR 3/8" BSP X 3/8" BSP	1	
*12	05.991.08	HOSE 3/8"BSP X 400MM 90 X ST	1	
*14	02.714.01	ADAPTOR-SWIVEL ST 3/8BSP M/F	1	
*15	05.290.04	BONDED SEAL 3/8"BSP	1	
*16	08.200.01	VALVE - ISOLATING 3/8" BSP	1	
*17	05.290.04	BONDED SEAL 3/8"BSP	1	
*18	02.714.01	ADAPTOR-SWIVEL ST 3/8BSP M/F	1	
*19	03.028.01	RESTRICTOR 3/8BSP X 3/8BSP	1	
20	05.264.11	SETSCREW M10 X 20MM PLATED	1	
20	05.281.02	FLAT WASHER 10MM PLATED	1	
20	05.282.02	SPRING WASHER 10MM PLATED	1	
*20	07.636.01	BLOCK - DISTRIBUTION 3 PORT	1	
*21	05.290.04	BONDED SEAL 3/8"BSP	3	
*22	01.099.01	ADAPTOR 3/8BSP X1/4BSP	2	
*23	05.990.25	HOSE 1/4"BSP X 1500MM 90XST	1	
*24	05.990.29	HOSE 1/4"BSP X 1900MM 90XST	1	
25	06.604.02	SEAL KIT (06.604 RAMS)	1	
*25	06.604.20	RAM ASSY D/A 80BORE X 345 STR	2	
*26	02.771.12	TENSION BUSH 85 X 70 X 50	2	
*27	02.771.03	TENSION BUSH 45 X 40 X 50	2	
*28	05.290.04	BONDED SEAL 3/8"BSP	4	
*29	01.099.01	ADAPTOR 3/8BSP X1/4BSP	4	
*30	05.990.22	HOSE 1/4"BSP X 1200MM 90XST	1	
*31	05.990.25	HOSE 1/4"BSP X 1500MM 90XST	1	
32	06.467.02	SEAL KIT (06.467.01 & 15 RAMS)	1	
*32	06.467.15	RAM ASSY D/A 4.1/2"BORE X180MM	1	
*33	02.771.02	TENSION BUSH 55 X 50 X 50	2	
*34	05.290.04	BONDED SEAL 3/8"BSP	2	
*35	03.028.01	RESTRICTOR 3/8BSP X 3/8BSP	2	
*36	05.991.15	HOSE 3/8"BSP X 750MM 90XST	1	
*37	05.835.01	ADAPTOR-SWIVEL 90 3/8"BSP M/F	1	
*38	05.991.20	HOSE 3/8"BSP X 1000MM 90XST	1	
*40	05.991.26	HOSE 3/8" BSP X 1600MM 90XST	1	
*41	05.991.16	HOSE 3/8" BSP X 800MM 90XST	1	
*42	02.903.08	SEAL KIT RAMS (02.903.07 & 11)	1	
42	02.903.12	RAM ASSY 50MM BORE X 330 STROKE	1	

*MAIN PART IN GROUP, RELATED PARTS HAVE SAME REFERENCE NUMBER



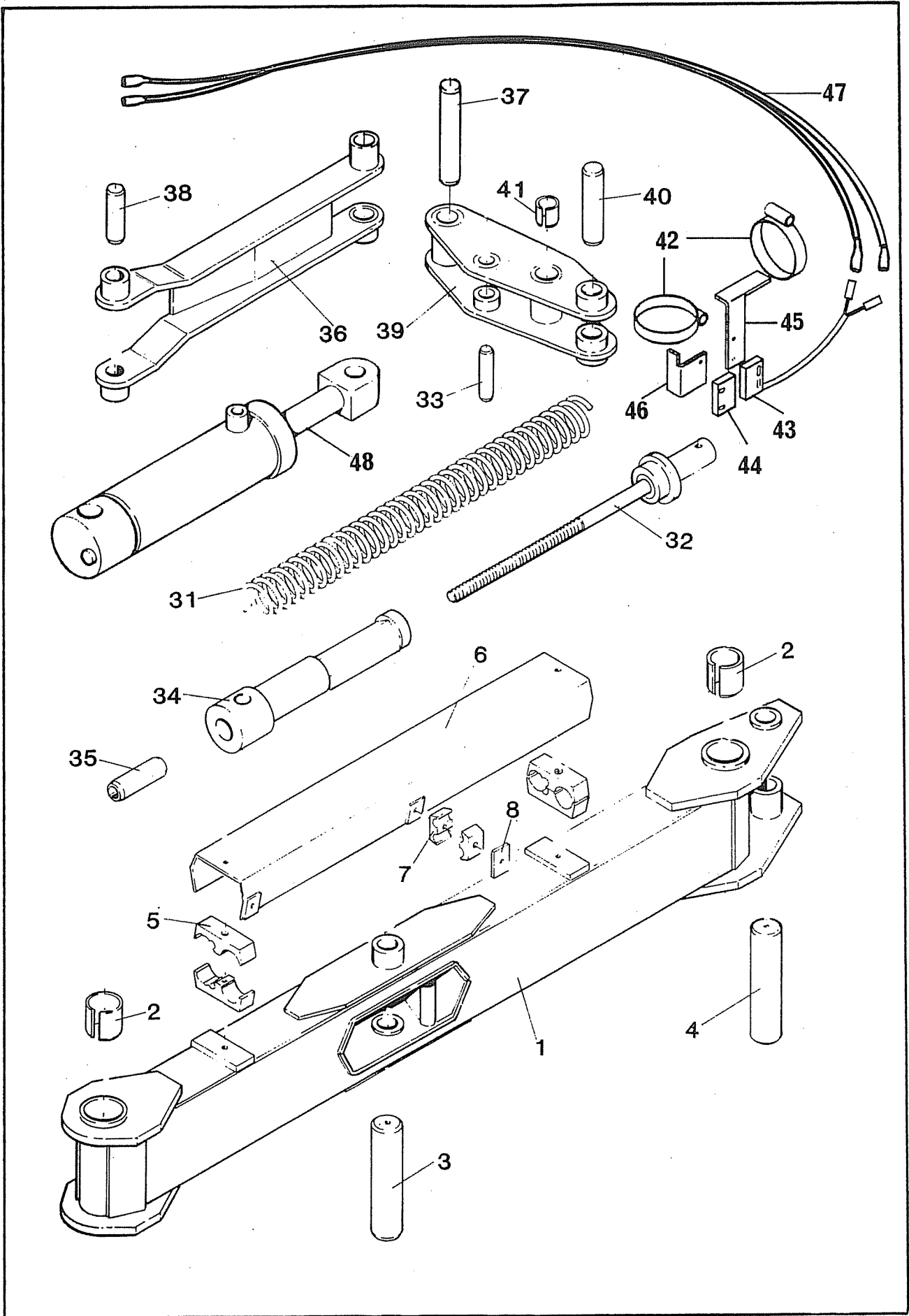
REF	PART NO.	DESCRIPTION	QTY	SERIAL NO. FROM - TO
71.970.03				
30	10.002.18	HOSE 1/4" ST/90 S.SEAL 900	1	
*43	02.771.05	TENSION BUSH 35 X 30 X 40	2	
*44	05.290.04	BONDED SEAL 3/8"BSP	2	
*45	03.028.14	RESTRICTOR 3/8" X 1/4" BSP	2	
*46	05.124.01	ADAPTOR 3/8" BSP X 3/8" BSP	1	
*47	02.714.01	ADAPTOR-SWIVEL ST 3/8BSP M/F	1	
*48	05.290.04	BONDED SEAL 3/8"BSP	1	
*49	08.200.01	VALVE - ISOLATING 3/8" BSP	1	
*50	05.990.46	HOSE 1/4"BSP X 3600MM 90 X ST	1	
*51	05.990.80	HOSE 1/4"BSP X 7000MM 90 X ST	1	
*52	06.430.10	CLAMP HOSE 38 X 28 X 14	2	
*53	06.418.01	CLAMP PLATE 95 X 6	1	
54	04.282.30	STUD M8 X 85 PLATED	1	
54	04.282.32	STUD M8 X 52	2	
54	05.282.01	SPRING WASHER 8MM PLATED	3	
54	05.286.01	NUT M8 PLATED	3	
*54	06.463.01	PLATE HOSE CLAMP	1	
*55	06.430.02	CLAMP HOSE 14 X 14	4	
*57	06.464.01	PLATE HOSE CLAMP	1	
*58	06.418.02	CLAMP PLATE 30 X 6 PLATED	2	
59	01.099.01	ADAPTOR 3/8 BSP X 1/4 BSP	1	
59	02.785.20	SEAL KIT (02785 A/R RAM)	-	
*59	02.785.32	RAM ASSY AUTO/RET 70 BORE X 201	1	
59	05.290.04	BONDED SEAL 3/8"BSP	1	
*60	05.990.41	HOSE 1/4"BSP X 3100MM 90 X ST	1	
*62	04.056.10	ADAPTOR - TEE 1/4"BSP F/M/M	1	
63	04.056.18	ADAPTOR TEE 1/4" BSP M/F/F	1	
63	05.129.01	ADAPTOR 1/4 BSP X 1/4 BSP	1	
63	05.290.02	BONDED SEAL 1/4"BSP	1	
*63	08.561.01	PRESSURE SWITCH	1	
*68	04.056.10	ADAPTOR - TEE 1/4"BSP F/M/M	2	
*69	10.002.08	HOSE 1/4" BSP ST X 90	1	
*70	10.002.08	HOSE 1/4" BSP ST X 90	1	
*71	10.002.08	HOSE 1/4" BSP ST X 90	1	
*72	01.099.01	ADAPTOR 3/8" X 1/4" BSP	3	
*73	05.290.04	BONDED SEAL 3/8" BSP	3	
74	05.282.01	SPRING WASHER 8MM PLATED	2	
74	05.291.07	BOLT M8 X 60MM PLATED	2	
*74	09.847.01	RELIEF/CHECK VALVE ASSEMBLY	1	
74	09.847.02	SEAL KIT FOR 09.847.01	-	

*MAIN PART IN GROUP. RELATED PARTS HAVE SAME REFERENCE NUMBER



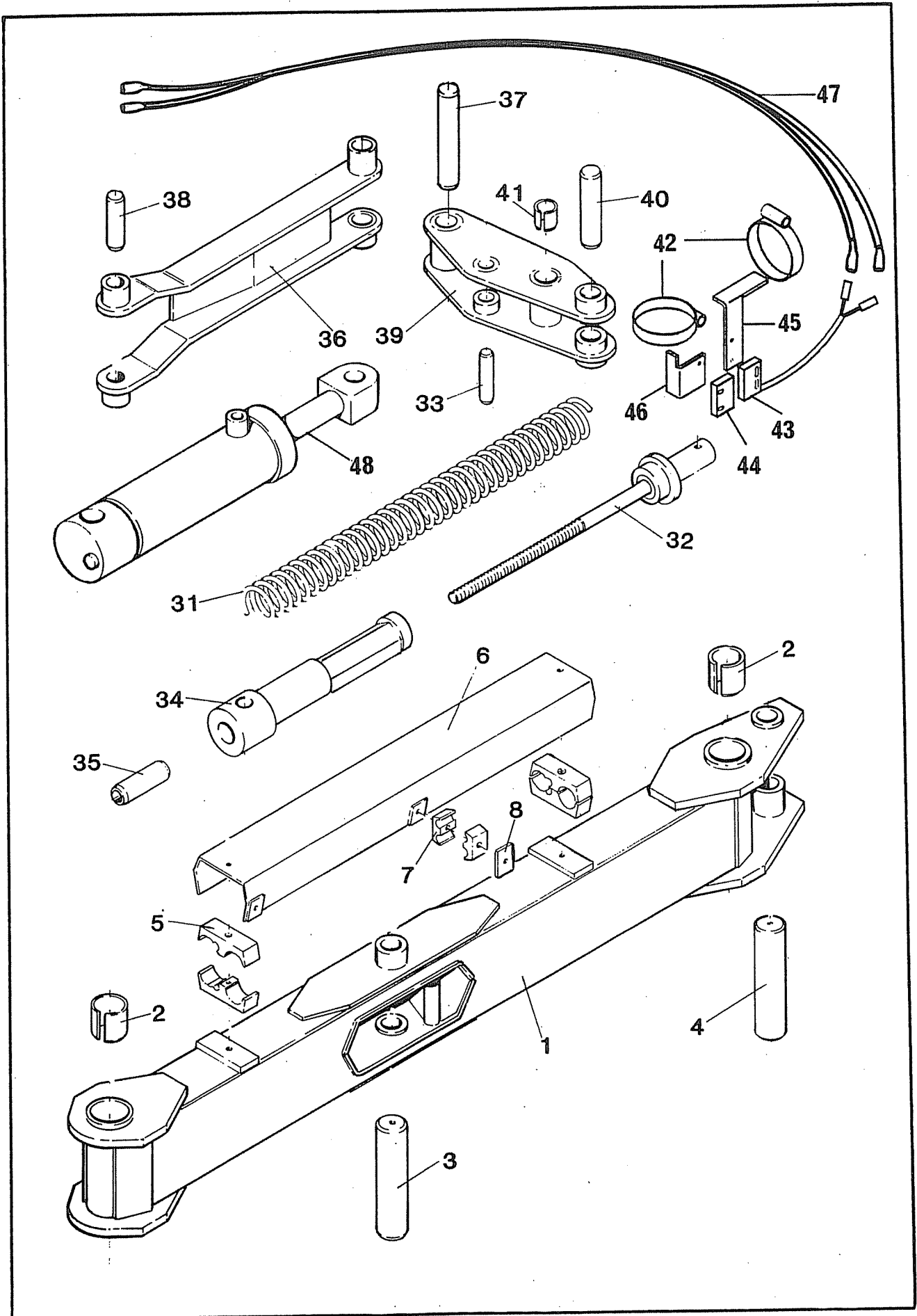
REF	PART NO.	DESCRIPTION	QTY
	71.951.01	<u>ARM-MAINFRAME</u>	
*01	07.564.01	ARM - MAINFRAME	1
01	03.786.02	INSTRUCTION PLATE-GREASE M10	2
01	05.953.03	GREASE NIPPLE M10	2
*02	02.771.12	TENSION BUSH 85 X 70 X 50	2
*03	02.771.02	TENSION BUSH 55 X 50 X 50	2
*04	03.657.19	PIN 50 DIA X 176MM	1
04	03.786.02	INSTRUCTION PLATE-GREASE M10	1
04	05.282.03	SPRING WASHER 12MM PLATED	1
04	05.286.03	NUT M12 PLATED	1
04	05.292.21	BOLT M12 X 80MM PLATED	1
04	05.953.03	GREASE NIPPLE M10	1
*05	07.563.01	BRACKET - HOSE MAINFRAME ARM	1
05	04.282.30	STUD M8 X 85 PLATED	1
05	05.264.11	SETSCREW M10 X 20MM PLATED	4
05	05.281.01	FLAT WASHER 8MM PLATED	1
05	05.282.01	SPRING WASHER 8MM PLATED	1
05	05.282.02	SPRING WASHER 10MM PLATED	4
05	05.286.01	NUT M8 PLATED	1
*06	06.430.02	HOSE CLAMP 14 X 14	4
*07	06.418.02	CLAMP PLATE 30 X 6 PLATED	1
	71.982.01	<u>BRACKET-MAINFRAME ARM</u>	
*31	07.690.01	BRACKET - MAINFRAME ARM	1
31	03.781.01	INSTRUCTION PLATE - M6	2
31	04.282.30	STUD M8 X 85 PLATED	2
31	05.281.01	FLAT WASHER 8MM PLATED	2
31	05.282.01	SPRING WASHER 8MM PLATED	2
31	05.286.01	NUT M8 PLATED	2
31	01.070.03	GREASE NIPPLE M6	2
*32	03.657.18	PIN 50 DIA X 302MM	2
32	05.282.03	SPRING WASHER 12MM PLATED	2
32	05.286.03	NUT M12 PLATED	2
32	05.292.22	BOLT M12 X 90MM PLATED	2
*33	03.656.34	PIN 40 DIA X 153MM	2
33	03.786.02	INSTRUCTION PLATE-GREASE M10	2
33	05.201.10	TENSION PIN 10MM X 60MM	2
33	05.953.03	GREASE NIPPLE M10	2
*34	06.430.05	HOSE CLAMP 38 X 28	2
*35	06.418.01	CLAMP PLATE 95 X 6	1
*36	06.430.02	HOSE CLAMP 14 X 14	4
*37	06.418.02	CLAMP PLATE 30 X 6 PLATED	1

*MAIN PART IN GROUP RELATED PARTS HAVE SAME REFERENCE NUMBER



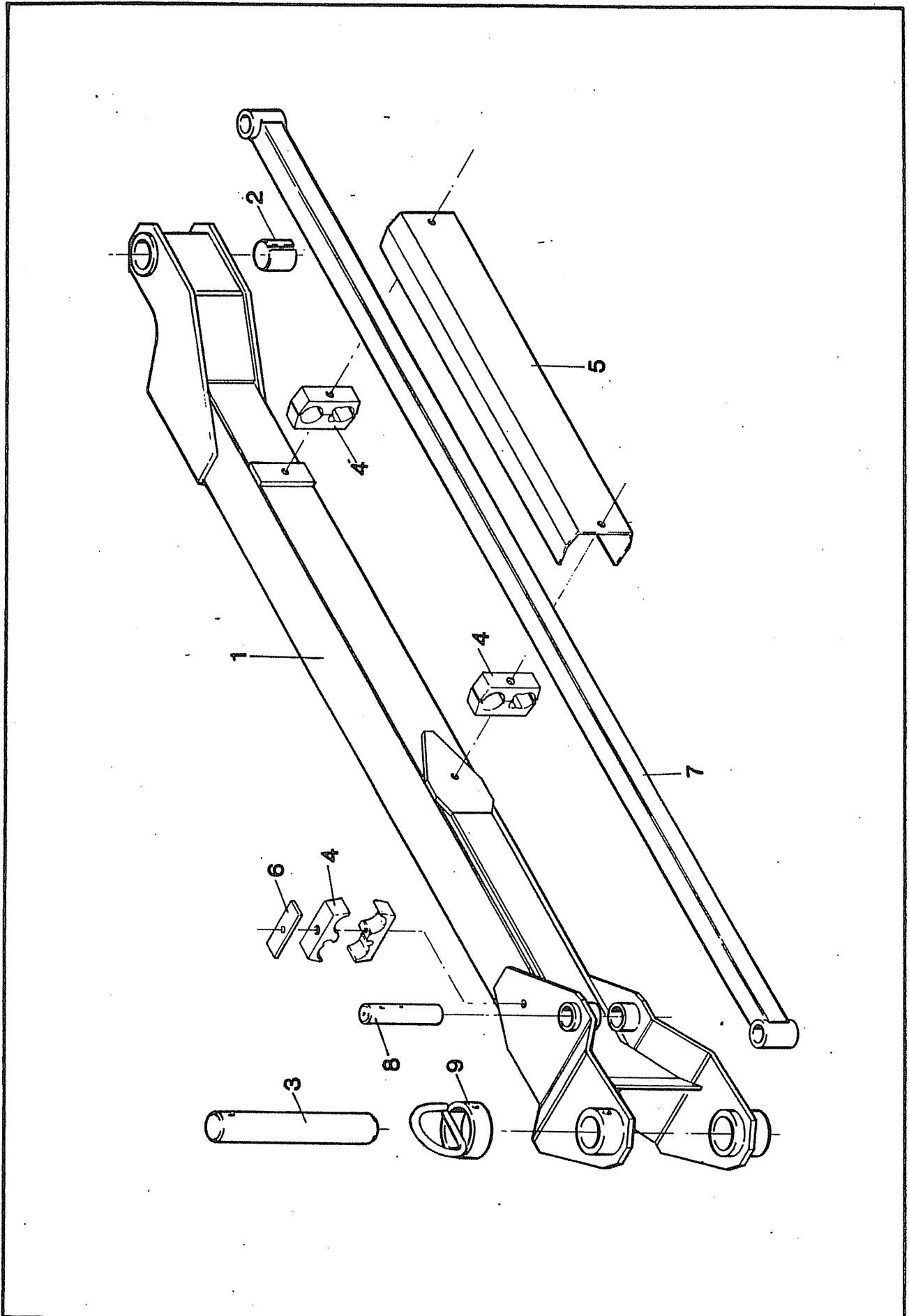
REF	PART NO.	DESCRIPTION	QTY	SERIAL NO. FROM - TO
71.953.01		ARM-FIRST		
*01	07.571.01	ARM - FIRST	1	
01	03.786.02	INSTRUCTION PLATE-GREASE M10	2	
01	05.953.03	GREASE NIPPLE M10	2	
*02	02.771.02	TENSION BUSH 55 X 50 X 50	4	
*03	03.654.37	PIN 30 DIA X 178MM	1	
03	05.201.07	TENSION PIN 8MM X 45MM	1	
*04	03.654.36	PIN 30 DIA X 203MM	1	
04	05.201.07	TENSION PIN 8MM X 45MM	1	
04	03.786.01	INSTRUCTION PLATE-GREASE M6	1	
04	05.953.01	GREASE NIPPLE M6	1	
*05	06.430.10	HOSE CLAMP 38 X 28 X 14	4	
05	04.282.30	STUD M8 X 85 PLATED	2	
05	05.281.01	FLAT WASHER 8MM PLATED	2	
05	05.282.01	SPRING WASHER 8MM PLATED	2	
05	05.286.01	NUT M8 PLATED	2	
*06	07.575.01	COVER - GUARD	1	
*07	06.430.02	HOSE CLAMP 14 X 14	4	
07	04.282.32	STUD M8 X 52	2	
07	05.281.01	FLAT WASHER 8MM PLATED	2	
07	05.282.01	SPRING WASHER 8MM PLATED	2	
07	05.286.01	NUT M8 PLATED	2	
*08	06.418.02	CLAMP PLATE 30 X 6 PLATED	2	

*MAIN PART IN GROUP, RELATED PARTS HAVE SAME REFERENCE NUMBER



REF	PART NO.	DESCRIPTION	QTY	SERIAL NO. FROM - TO
71.983.02		BREAKOUT ASSEMBLY		
*31	07.685.01	SPRING 80MM O/D X 718.8MM	1	
32	05.286.06	NUT M24 PLATED	1	
*32	07.687.01	ROD - SPRING BREAKOUT	1	
*33	03.653.29	PIN 25 DIA X 84MM	1	UP TO 5285Z
33	05.201.07	TENSION PIN 8MM X 45MM	1	
34	05.953.03	GREASE NIPPLE M10	1)
*34	07.686.01	BRACKET - SPRING BREAKOUT	1) UP TO 5285Z
*35	07.688.01	COLLAR 35 O/D X 100	1)
36	07.689.01	LINK - SPRING BREAKOUT	1	
*37	03.654.38	PIN 30 DIA X 174MM	1	
37	03.786.01	INSTRUCTION PLATE-GREASE M6	1	
37	05.201.07	TENSION PIN 8MM X 45MM PLATED	1	
37	05.953.01	GREASE NIPPLE M6	1	
*38	03.654.46	PIN 30 DIA X 218MM	1	FROM 5286Z
38	03.786.01	INSTRUCTION PLATE-GREASE M6	1	
38	05.201.07	TENSION PIN 8MM X 45MM PLATED	1	
38	05.953.01	GREASE NIPPLE M6	1	
38	03.654.42	PIN 30 DIA X 93MM	2	UP TO 5285Z
*39	03.786.01	INSTRUCTION PLATE-GREASE M6	2	
39	05.953.05	GREASE NIPPLE M6 X 90DEG	2	
39	07.579.01	LINK - RAM/GAS SPRING	1	
*40	03.654.41	PIN 30 DIA X 130MM	1	
40	03.786.01	INSTRUCTION PLATE-GREASE M6	1	
40	05.201.07	TENSION PIN 8MM X 45MM PLATED	1	
40	05.953.01	GREASE NIPPLE M6	1	
*41	02.771.10	TENSION BUSH 36 X 30 X 30	2)
*42	05.863.02	JUBILEE CLIP 2"DIA	2)
43	05.969.03	SELF TAPPING SCREW No.4 X 1/2"	2)
*43	08.559.01	REED SWITCH	1)
44	05.969.03	SELF TAPPING SCREW No.4 X 1/2"	2)
*44	08.560.01	MAGNET	1) FROM 5286Z->
*45	08.563.01	BRACKET - SWITCH	1)
*46	08.564.01	BRACKET - MAGNET	1)
*47	08.562.01	SWITCH WIRE	1)
*48	02.785.32	RAM ASSY. AUTO/RET 70 BORE X 201	1)

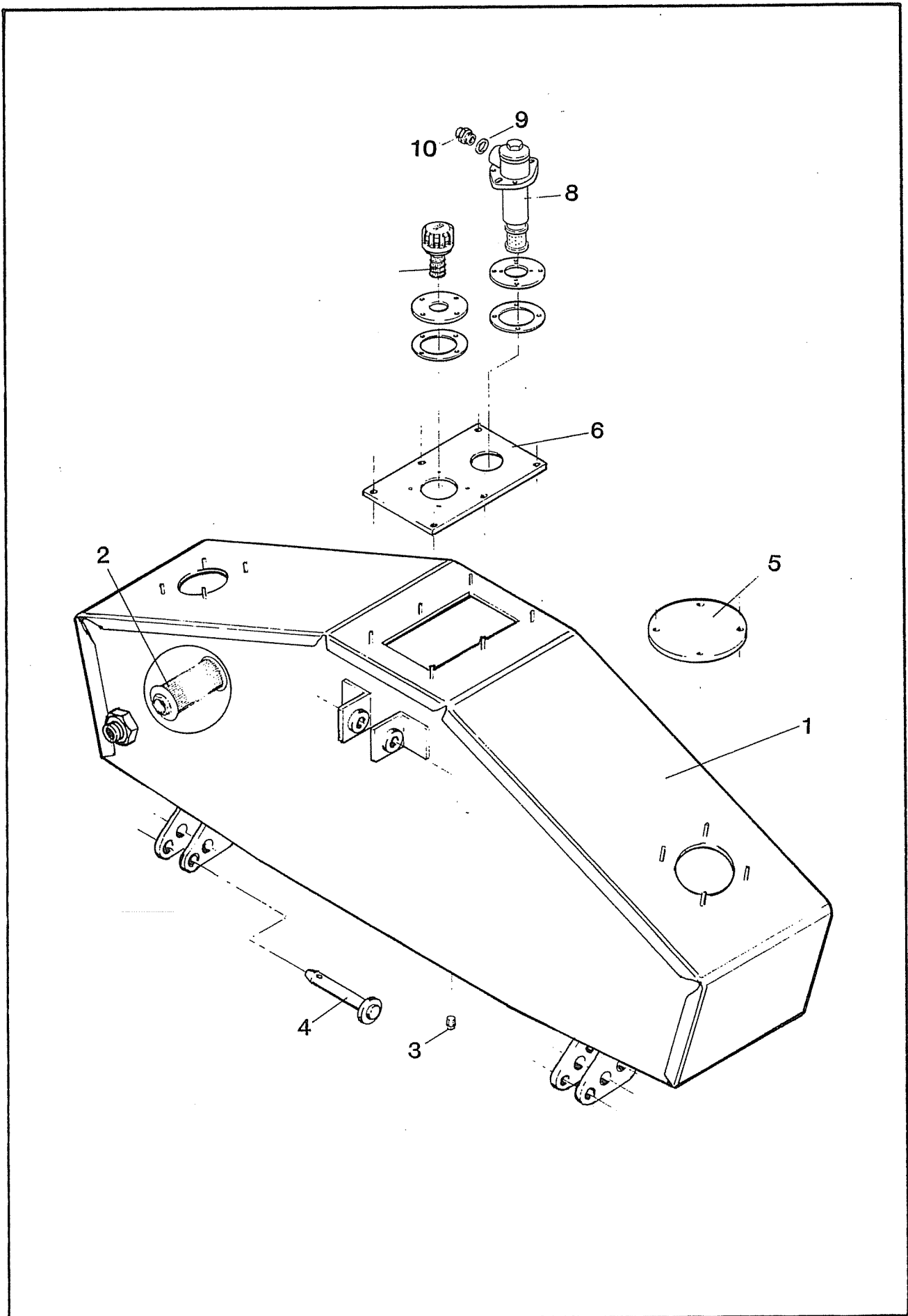
*MAIN PART IN GROUP, RELATED PARTS HAVE SAME REFERENCE NUMBER



71.955.01

REF	PART NO.	DESCRIPTION	QTY
*01	07.572.01	ARM - PARALLEL	1
*02	02.771.03	TENSION BUSH 45 X 40 X 50	2
*03	03.657.18	PIN 50 DIA X 302MM	1
03	05.282.03	SPRING WASHER 12MM PLATED	1
03	05.286.03	NUT M12 PLATED	1
03	05.292.23	BOLT M12 X 100MM PLATED	1
*04	06.430.10	HOSE CLAMP 38 X 28 X 14	6
04	04.282.30	STUD M8 X 85 PLATED	3
04	05.281.01	FLAT WASHER 8MM PLATED	3
04	05.282.01	SPRING WASHER 8MM PLATED	3
04	05.286.01	NUT M8 PLATED	3
*05	07.576.01	COVER - GUARD	1
*06	06.418.01	CLAMP PLATE 95 X 6	1
*07	07.561.01	LINK - PARALLEL	1
07	03.786.01	INSTRUCTION PLATE-GREASE M6	2
07	05.953.01	GREASE NIPPLE M6	2
*08	03.654.39	PIN 30 DIA X 140MM	1
08	03.786.01	INSTRUCTION PLATE-GREASE M6	1
08	05.201.07	TENSION PIN 8MM X 45MM	1
08	05.953.01	GREASE NIPPLE M6	1
*09	07.562.01	BRACKET - HOSE SECOND ARM	1

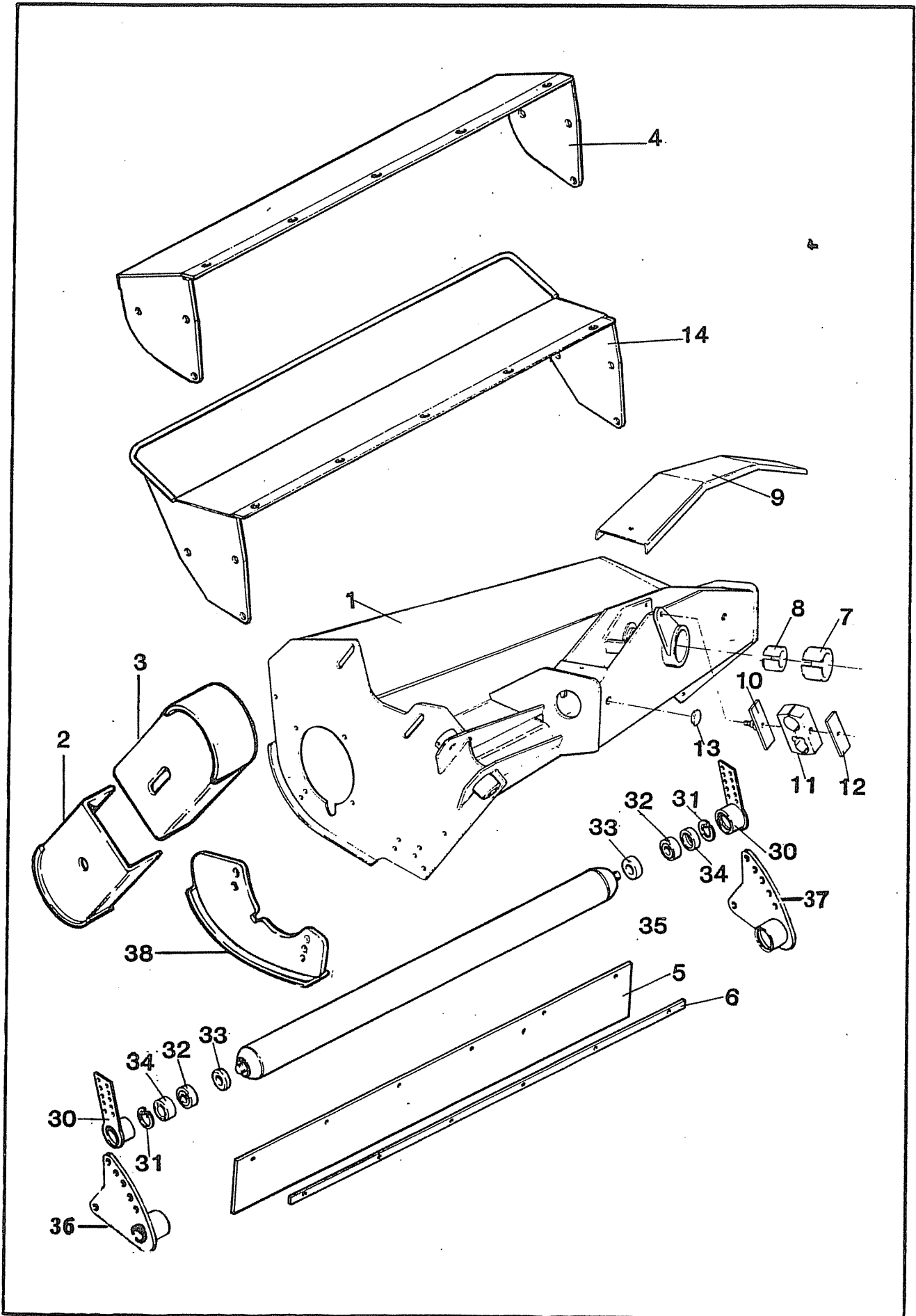
*MAIN PART IN GROUP, RELATED PARTS HAVE SAME REFERENCE NUMBER.



71.950.01

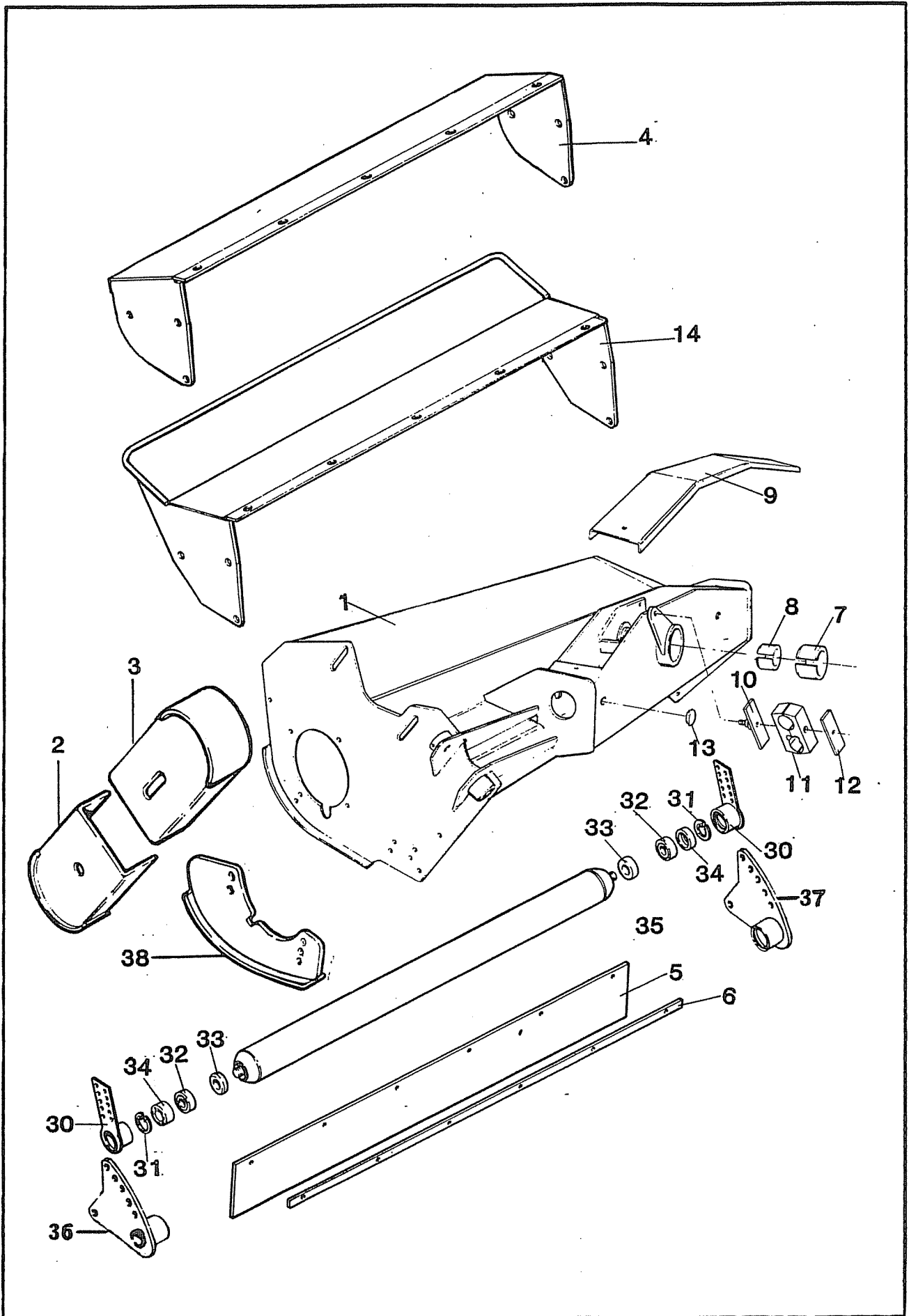
REF	PART NO.	DESCRIPTION	QTY
*01	07.578.01	TANK - OIL	1
01	05.281.01	FLAT WASHER 8MM PLATED	14
01	05.286.01	NUT M8 PLATED	14
*02	05.367.02	FILTER - SUCTION	1
*03	05.495.01	PLUG 1/2" BSPT PLATED	1
*04	03.609.01	PIN 25 DIA X 145	3
04	00.372.01	LINCH PIN	3
*05	07.560.01	PLATE - TANK COVER	2
*06	07.559.01	PLATE - TANK TOP	1
*07	06.966.01	BREATHER CAP & STRAINER ASSY	1
*08	06.516.24	FILTER ASSEMBLY	1
08	05.282.07	SPRING WASHER 6MM PLATED	4
08	05.625.09	SOCKET-CAPSCREW M6 X 25MM PLATED	4
08	06.516.04	GASKET	-
08	06.516.22	FILTER ELEMENT	-
*09	05.290.07	BONDED SEAL 1" BSP	1
*10	05.434.01	ADAPTOR 1" BSP X 1" BSP	1

*MAIN PART IN GROUP, RELATED PARTS HAVE SAME REFERENCE NUMBER.



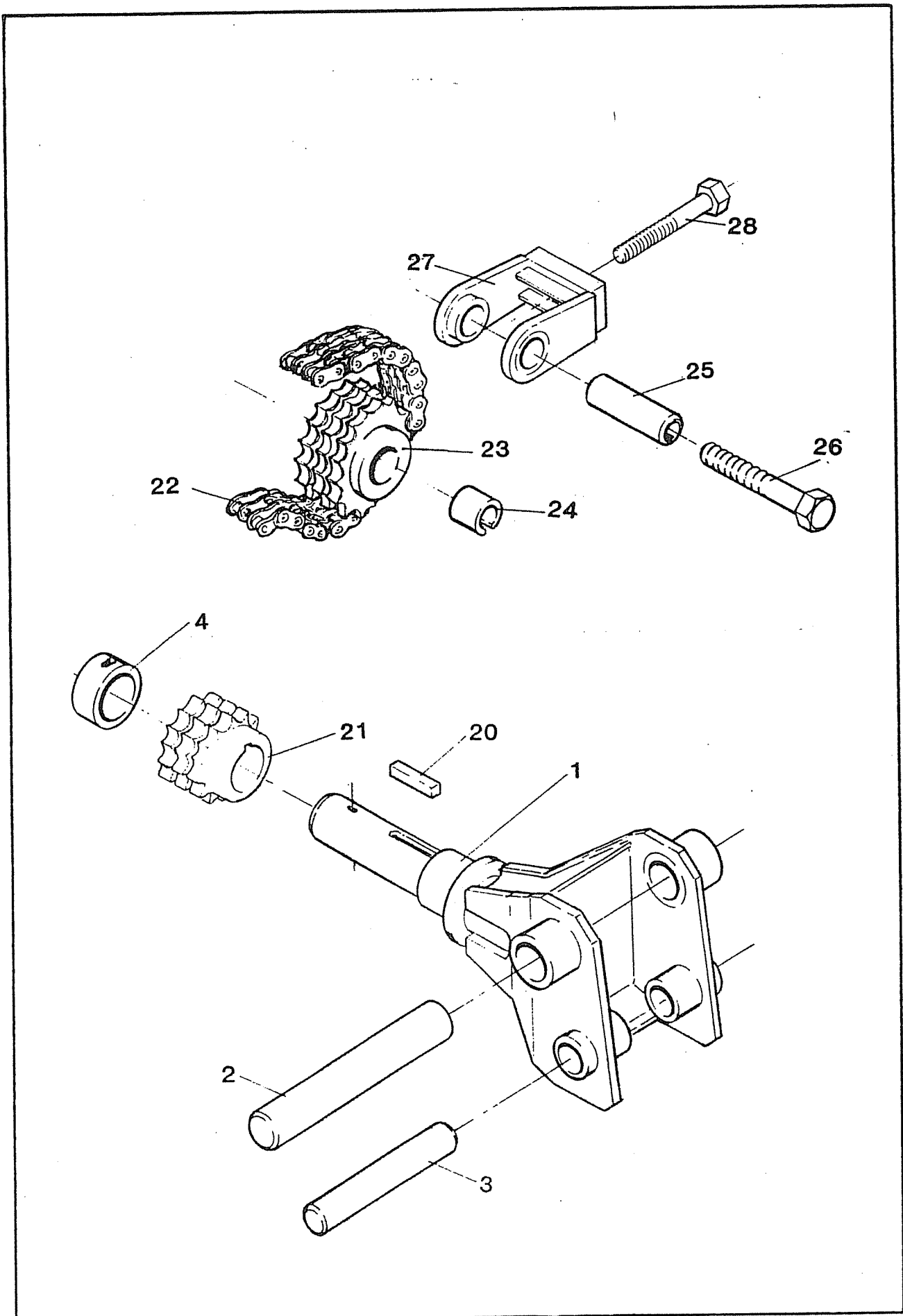
REF	PART NO.	DESCRIPTION	QTY	SERIAL NO. FROM - TO
71.956.02		COWL ASSEMBLY		
*01	08.315.01	COWL - 1100 CENTRE PIVOT	1	3532 ZA -->
*01	07.615.01	COWL - 1100 CENTRE PIVOT	1	--> 3531 ZA
01	05.227.01	HAMMER DRIVE SCREW NO.6 X 3/8"	2	
01	05.774.04	SERIAL NO. PLATE (BOMFORD)	1	
*02	05.286.03	NUT M12 PLATED	1	
02	05.264.21	SETSCREW M12 X 20MM PLATED	1	
02	05.281.03	FLAT WASHER 12MM PLATED	1	
02	05.282.03	SPRING WASHER 12MM PLATED	2	
02	06.205.01	GUARD-BOTTOM DRIVE	1	
*03	06.222.01	GUARD-TOP DRIVE	1	
03	05.264.21	SETSCREW M12 X 20MM PLATED	1	
03	05.282.03	SPRING WASHER 12MM PLATED	2	
*04	06.223.01	GUARD-FRONT HOOD	1	
04	05.264.12	SETSCREW M10 X 25MM PLATED	9	
04	05.281.02	FLAT WASHER 10MM PLATED	5	
04	05.282.02	SPRING WASHER 10MM PLATED	9	
04	05.286.02	NUT M10 PLATED	9	
*05	06.196.01	GUARD - PLASTIC	2	
*06	06.194.01	BACKING STRIP	2	
06	05.264.02	SETSCREW M8 X 25MM PLATED	10	
06	05.282.01	SPRING WASHER 8MM PLATED	10	
06	05.286.01	NUT M8 PLATED	10	
*07	02.771.14	TENSION BUSH 70 X 60 X 50	1	
*08	02.771.02	TENSION BUSH 55 X 50 X 50	1	
*09	07.585.01	GUARD - CHAIN COWL	1	
09	05.264.01	SETSCREW M8 X 20MM PLATED	2	
09	05.281.01	FLAT WASHER 8MM PLATED	2	
09	05.282.01	SPRING WASHER 8MM PLATED	2	
*10	07.577.01	BRACKET - HOSE COWL	1	
10	05.281.02	FLAT WASHER 10MM PLATED	1	
10	05.282.02	SPRING WASHER 10MM PLATED	1	
10	05.286.02	NUT M10 PLATED	1	
*11	06.430.10	HOSE CLAMP 38 X 28 X 14	2	
*12	06.418.01	CLAMP PLATE 95 X 6	1	
12	04.282.30	STUD M8 X 85 PLATED	1	
12	05.281.01	FLAT WASHER 8MM PLATED	1	
12	05.282.01	SPRING WASHER 8MM PLATED	1	
12	05.286.01	NUT M8 PLATED	1	
*13	03.816.01	PLUG-RUBBER 25MM DIA	2	
*14	06.227.01	GUARD-FRONT	1	

*MAIN PART IN GROUP, RELATED PARTS HAVE SAME REFERENCE NUMBER



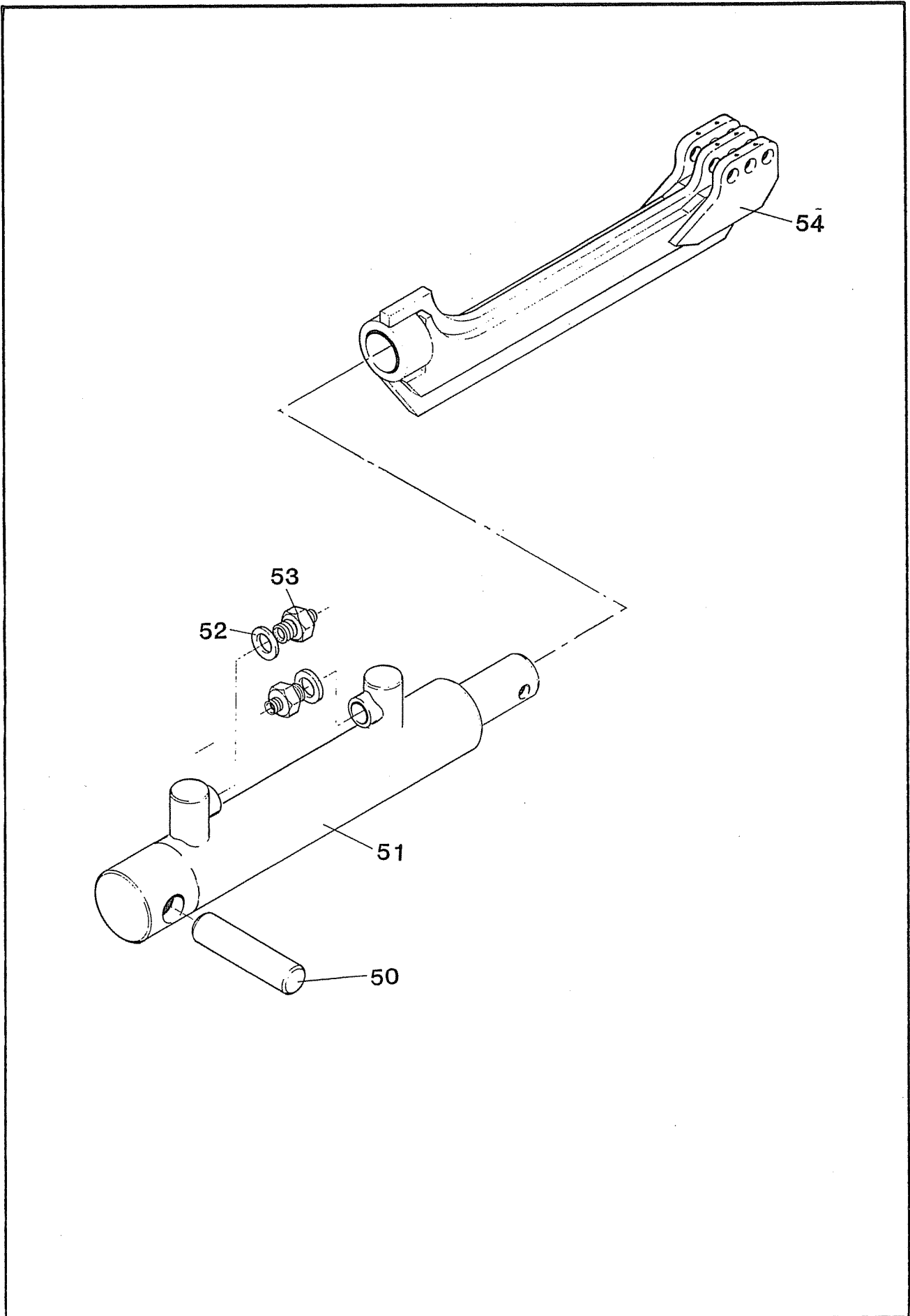
REF	PART NO.	DESCRIPTION	QTY	SERIAL NO. FROM - TO
71.024.03, 72.121.01, 72.120.01		ROLLER ASSEMBLY STANDARD PARTS		
30	05.264.24	SETSCREW M12 X 35MM PLATED	8	
30	05.281.03	FLAT WASHER 12MM PLATED	8	
30	05.282.03	SPRING WASHER 12MM PLATED	8	
30	05.287.03	SELF-LOCKING NUT M12 PLATED	8	
*31	05.959.05	CIRCLIP - INT 62MM DIA	2	
*32	03.007.02	BEARING - BALL 30MM BORE	2	
*33	04.164.04	SEAL-LIP 40DIA X 10MM	2	
*34	04.394.01	FLANGE-BEARING RETAINER PLATED	2	
34	05.953.01	GREASE NIPPLE M6	4	
35	05.234.01	WASHER 1.3/4" X 17/32" X 3/16"	2	
35	05.264.23	SETSCREW M12 X 30MM PLATED	2	
35	05.282.03	SPRING WASHER 12MM PLATED	2	
ROLLER ASSEMBLY - 115 DIA				
*30	06.204.01	BRACKET-ROLLER	2)	UP TO 3531ZA
*35	06.752.01	ROLLER-1100	1)	
ROLLER ASSEMBLY - 115 DIA				
*35	06.752.01	ROLLER-1100 115 DIA	1)	FROM 3532ZA
*36	07.823.01	BRACKET-ROLLER 115 LH	1)	
*37	07.823.02	BRACKET-ROLLER 115 RH	1)	
ROLLER ASSEMBLY - 150 DIA				
*35	07.826.03	ROLLER 150 DIA.	1)	FROM 3532ZA
*36	07.822.01	BRACKET-ROLLER 150 DIA LH	1)	
*37	07.822.02	BRACKET-ROLLER 150 DIA RH	1)	
72.024.01		COWL WEAR PLATE KIT		
38	05.281.03	FLAT WASHER 12MM PLATED	2	
38	05.282.03	SPRING WASHER 12MM PLATED	2	
38	05.287.03	SELF-LOCKING NUT M12 PLATED	2	
38	05.291.23	BOLT M12 X 40 MM PLATED	2	
*38	07.828.01	BRACKET-WEAR PLATE	2	

*MAIN PART IN GROUP, RELATED PARTS HAVE SAME REFERENCE NUMBER



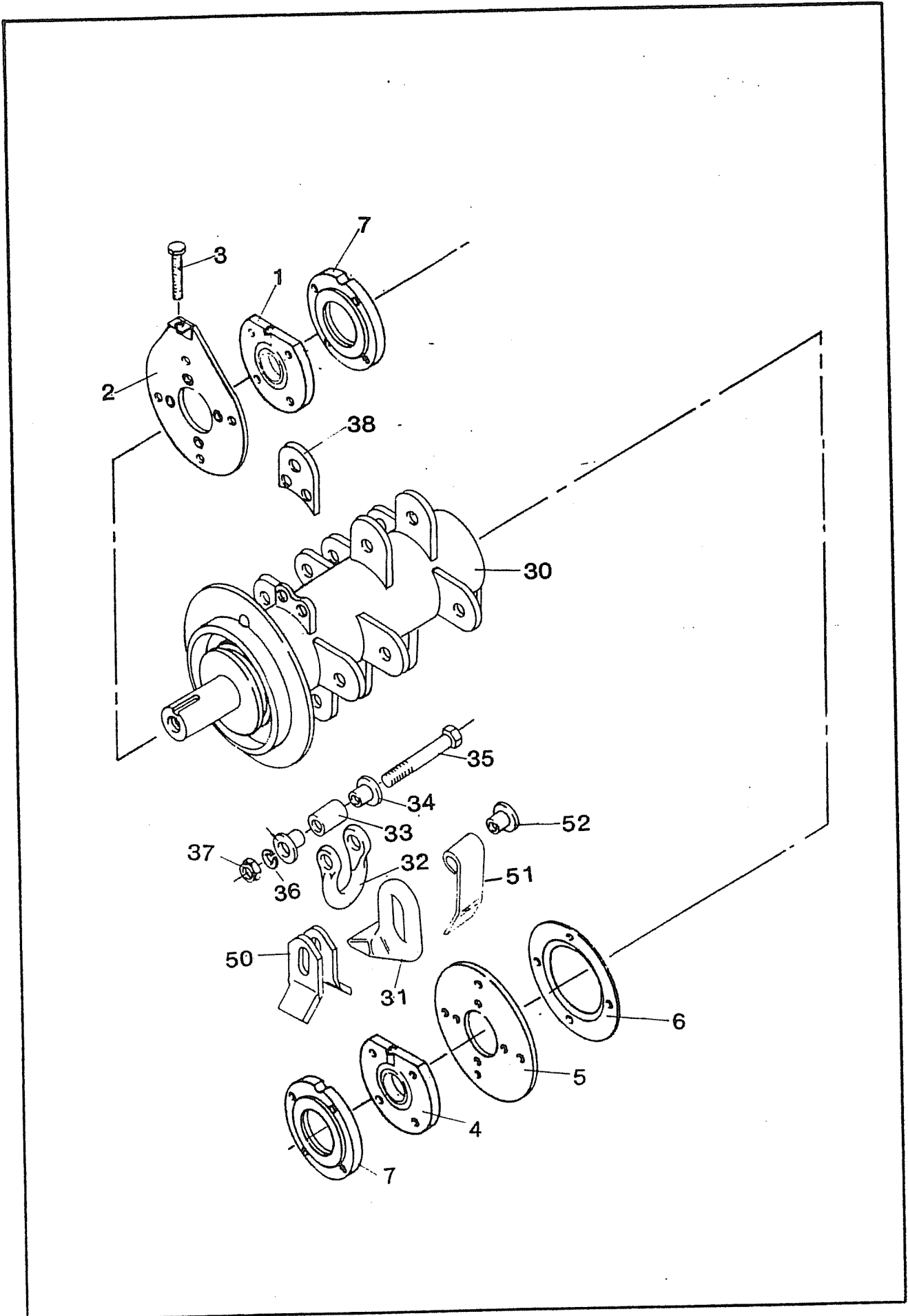
REF	PART NO.	DESCRIPTION	QTY
71.957.01		<u>COWL PIVOT ASSEMBLY</u>	
*01	07.617.01	BRACKET - COWL PIVOT	1
01	03.786.02	INSTRUCTION PLATE-GREASE M10	1
01	05.953.03	GREASE NIPPLE M10	1
*02	03.656.35	PIN 40 DIA X 241MM	1
02	03.786.02	INSTRUCTION PLATE-GREASE M10	1
02	05.201.10	TENSION PIN 10MM X 60MM	1
02	05.953.03	GREASE NIPPLE M10	1
*03	03.654.40	PIN 30 DIA X 184MM	1
03	03.786.01	INSTRUCTION PLATE-GREASE M6	1
03	05.201.11	TENSION PIN 5MM X 45MM	1
03	05.953.01	GREASE NIPPLE M6	1
*04	07.616.01	COLLAR - COWL PIVOT	1
04	05.282.03	SPRING WASHER 12MM PLATED	1
04	05.286.03	NUT M12 PLATED	1
04	05.292.21	BOLT M12 X 80MM PLATED	1
71.958.02		<u>CHAIN AND SPROCKET ASSEMBLY</u>	
*20	05.960.22	KEY-REP 10 X 8 X 58	1
*21	07.618.02	SPROCKET 3/4" PITCH X 14T TRIPLEX	1
*22	07.619.01	CHAIN 3/4" PITCH 50 LINK TRIPLEX	1
22	07.619.02	CONNECTING LINK ASSY TRIPLEX	-
*23	07.618.03	SPROCKET 3/4" PITCH X 14T TRIPLEX	1
*24	02.771.06	TENSION BUSH 35 X 30 X 30	2
*25	07.621.01	SPACER TUBE - CHAIN	1
*26	07.583.01	BOLT M20 X 140MM - GREASED	1
26	03.786.02	INSTRUCTION PLATE-GREASE M10	1
26	05.281.05	FLAT WASHER 20MM PLATED	1
26	05.282.05	SPRING WASHER 20MM PLATED	1
26	05.286.05	NUT M20 PLATED	1
26	05.953.03	GREASE NIPPLE M10	1
*27	07.599.01	BRACKET - CHAIN ADJUSTMENT	1
*28	07.598.01	BOLT M12 - ADJUSTMENT	1
28	05.286.03	NUT M12 PLATED	2

*MAIN PART IN GROUP, RELATED PARTS HAVE SAME REFERENCE NUMBER



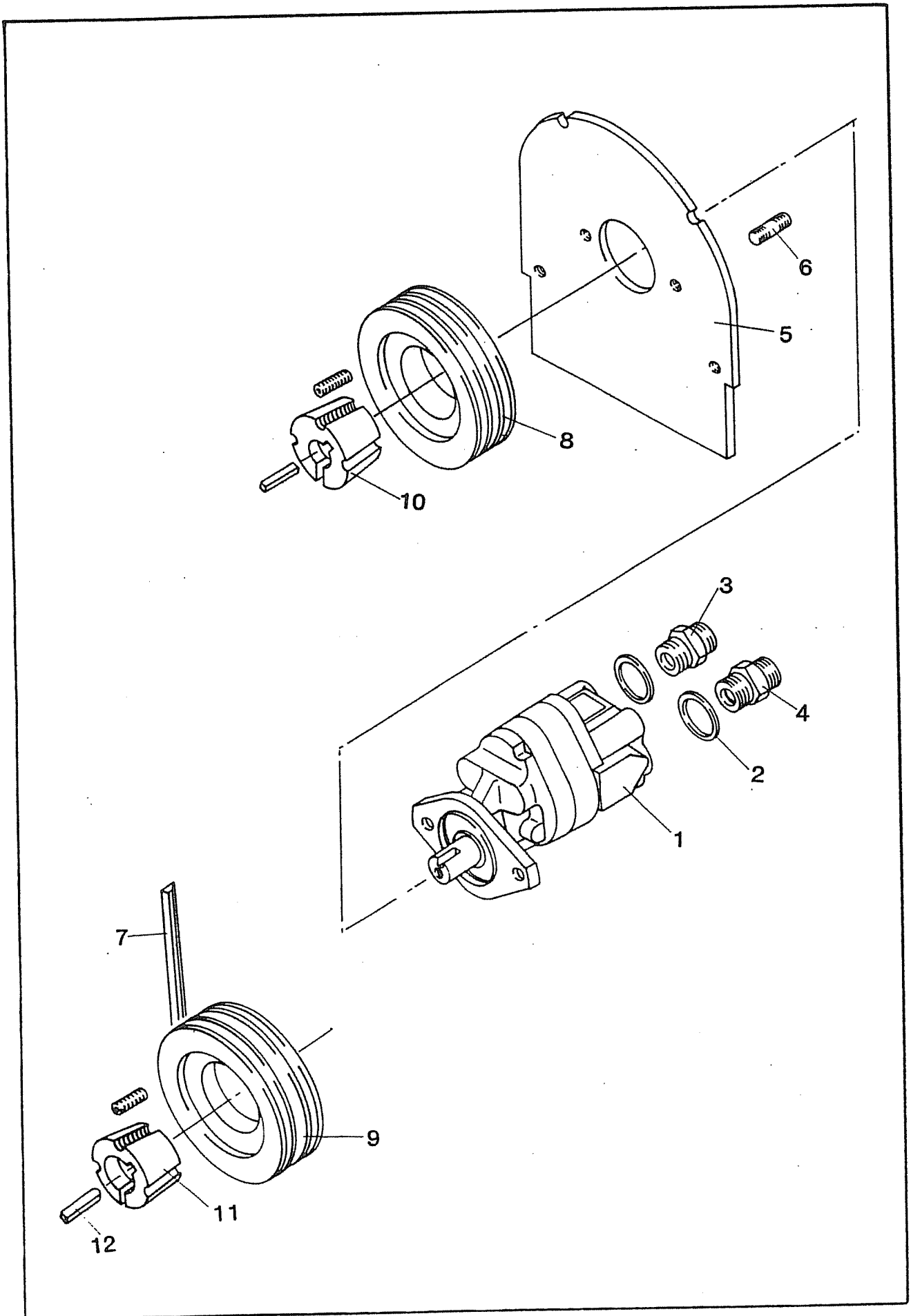
REF	PART NO.	DESCRIPTION	QTY
71.959.01		<u>RAM ASSEMBLY</u>	
*50	03.653.24	PIN 25 DIA X 100	1
50	03.786.01	INSTRUCTION PLATE-GREASE M6	1
50	05.201.11	TENSION PIN 5MM X 45MM	1
50	05.953.01	GREASE NIPPLE M6	1
*51	03.842.35	RAM ASSY D/A 50MM X 182 STROKE	1
51	03.842.16	SEAL KIT (03842 D/A RAMS)	-
*52	05.290.04	BONDED SEAL 3/8 "BSP	2
*53	07.605.01	RESTRICTOR 3/8" X 1/4" BSP	2
53	05.300.01	PLUG-PLASTIC 1/4" BSP FEMALE	2
*54	07.582.01	LINK - RAM EXTENSION	1
54	05.201.12	TENSION PIN 12MM DIA X 50MM	1
54	30.068.85	BOLT M6 X 30 MM 8.8 GRADE Z/P.	6

*MAIN PART IN GROUP, RELATED PARTS HAVE SAME REFERENCE NUMBER



REF	PART NO.	DESCRIPTION	QTY
	06.511.01	ROTOR SHAFT ASSEMBLY COMPLETE: CLOCKWISE FLAIL ROTATION VIEWED FROM DRIVE END COMPRISING ITEMS 30 TO 38	
	71.025.02	<u>BEARING ASSEMBLY</u>	
*01	06.221.01	BEARING ASSEMBLY 40 - BORE	1
01	05.345.05	SOCKET CSK SCREW M12 X 1.75 X 40	4
*02	06.193.01	PLATE-BEARING DRIVE END	1
02	05.282.03	SPRING WASHER 12MM PLATED	4
02	05.286.03	NUT M12 PLATED	4
02	05.625.10	SKT CAPSCRW M12X30 DOME HD PLT	4
*03	06.220.01	BOLT-ADJUSTING PLATED	1
03	05.286.03	NUT M12 PLATED	2
*04	06.221.01	BEARING ASSEMBLY 40 - BORE	1
04	05.264.24	SETSCREW M12 X 35MM PLATED	4
04	05.282.03	SPRING WASHER 12MM PLATED	4
*05	06.197.01	PLATE-BEARING NON DRIVE	1
05	05.282.03	SPRING WASHER 12MM PLATED	4
05	05.286.03	NUT M12 PLATED	4
05	05.625.10	SKT CAPSCRW M12 X 30 DOME HD PLT	4
*06	06.195.01	GUARD-NON DRIVE	1
*07	06.219.01	DISC-SHIELD	2
07	02.824.01	WASHER 50 O/D X 13 I/D X 5MM	2
07	05.264.23	SETSCREW M12 X 30MM PLATED	2
07	05.283.03	SHAKEPROOF WASHER 12MM PLATED	2
	71.308.02	<u>ROTOR SHAFT ASSEMBLY - TUBULAR</u>	
*30	06.509.01	SHAFT - 1100 TUBULAR	1
*31	02.959.01	FLAIL - FORGED	32
*32	05.895.01	SHACKLE-FORGED	32
*33	02.807.01	SPACER 1" O/D X 16MM I/D X 27MM	32
*34	02.801.01	COLLAR 10.5 I/D X 26,15 O/D X 24	64
*35	05.775.02	BOLT M10 X 86MM (FINE)	32
*36	05.282.02	SPRING WASHER 10MM PLATED	32
*37	05.968.02	SELF LOCKING NUT M10 (FINE)	32
*38	06.519.01	LUG-BOLT ON	2
38	05.282.01	SPRING WASHER 8MM PLATED	4
38	05.286.01	NUT M8 PLATED	4
38	05.291.01	BOLT M8 X 30MM PLATED	4
*50	02.812.01	FLAIL-FORMED	64 (SPARES ONLY)
*51	06.189.01	FLAIL-FORMED 40 X 8	32 (" ")
*52	06.192.02	COLLAR-26 O/D X 21	64 (" ")

*MAIN PART IN GROUP, RELATED PARTS HAVE SAME REFERENCE NUMBER.



REF	PART NO.	DESCRIPTION	QTY	SERIAL NO. FROM - TO
72.023.01		MOTOR ASSEMBLY		
*01	02.865.46	MOTOR ASSY (84L)	1	--> 2950Y
*01	02.865.59	MOTOR ASSY (1001)	1	2951Y -->
01	01.071.13	KEY-SEP 1/4" X 1/4" X1"	-	
01	02.865.58	SEAL KIT (02.865.46 MOTOR)	-	
01	02.865.44	SEAL KIT (02.865.59 MOTOR)	-	
*02	05.290.07	BONDED SEAL 1" BSP	2	
*03	05.373.01	ADAPTOR 3/4" BSP X 1" BSP	1	
*04	05.434.01	ADAPTOR 1" BSP X 1" BSP	1	
*05	06.200.01	PLATE-MOTOR MOUNTING	1	--> 3531ZA
*05	07.832.01	PLATE-MOTOR MOUNTING	1	3532ZA -->
05	05.281.03	FLAT WASHER 12MM PLATED	2	
05	05.282.03	SPRING WASHER 12MM PLATED	2	
05	05.286.03	NUT M12 PLATED	2	
05	05.388.05	SOCKET GRUBSCREW M12 X 1.75 X 12MM	2	
05	05.625.12	CAPSCRW M12 X 35 CRSE DOMED PLT	2	
*06	04.282.56	STUD M10 X 37MM	2	
06	05.282.02	SPRING WASHER 10MM PLATED	2	
06	05.286.02	NUT M10 PLATED	2	
*07	05.299.36	BELT-VEE SPA X 1060MM	3	
*08	03.795.01	PULLEY-VEE 160MM PCD X 3SPA	1	
*09	03.795.03	PULLEY-VEE 140MM PCD X 3SPA	1	
*10	05.424.01	TAPER-LOCK 7/8"BORE (2517)	1	
*11	05.424.18	TAPER LOCK 40MM (2517)	1	
*12	05.960.16	KEY-S/REP 12MM X 8MM X 40MM	1	
*13	07.833.01	PLATE-COVER	1	

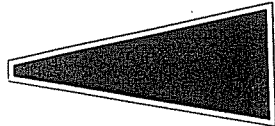
NOTE: DEPENDING UPON COWL BUILD, PULLEYS (08 AND 09) CAN BE REVERSED.

*MAIN PART IN GROUP, RELATED PARTS HAVE SAME REFERENCE NUMBER.

BOMFORD

B45-45

07.820.01



29

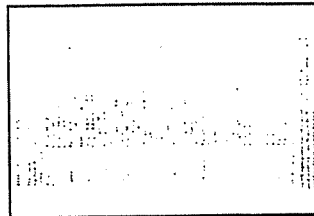


2



27

4



22

CRANE LIFTING CAPACITY
DRY WEIGHT OF THIS UNIT DOES NOT EXCEED
1000 Kg. (2200 lbs)
FOR OPERATIONAL WEIGHT ADD ATTACHMENTS, OIL, ETC.
© 1997 Bomford & Technology Ltd.

24

CRANE LIFTING CAPACITY
DRY WEIGHT OF THIS UNIT DOES NOT EXCEED
250 Kg. (550 lbs)
FOR OPERATIONAL WEIGHT ADD ATTACHMENTS, OIL, ETC.
© 1997 Bomford & Technology Ltd.

3

LIFT FROM POINTS
MARKED WITH
SUITABLE FOR PRE ASSEMBLY
TRANSIT ONLY
© 1997 Bomford & Technology Ltd.

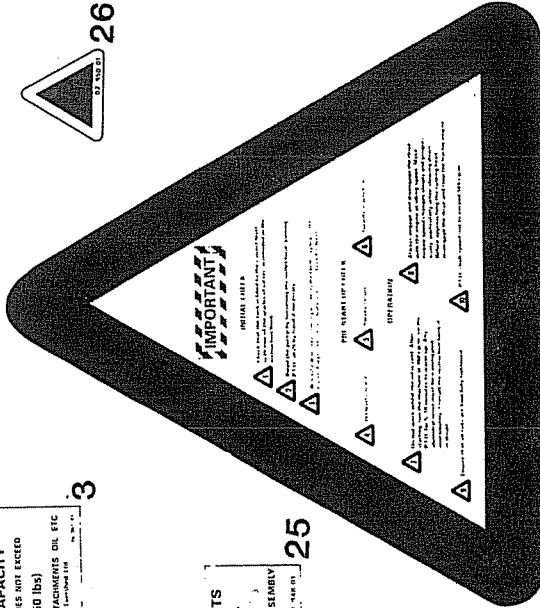
25

IMPORTANT: SAFETY INSTRUCTIONS
— GUARDING —
GUARDS MUST BE FITTED AS 1. OPERATE UPON THE TYPE OF WORK
TO BE CARRIED OUT 2. GROUND LEVEL CUTTING
REVERSE ROTATION
1. HEDGE TRIMMING
2. GROUND LEVEL CUTTING
REVERSE ROTATION
3. HEDGE TRIMMING
4. GROUND LEVEL CUTTING
REVERSE ROTATION
5. HEDGE TRIMMING
6. GROUND LEVEL CUTTING
REVERSE ROTATION
7. HEDGE TRIMMING
8. GROUND LEVEL CUTTING
REVERSE ROTATION
9. HEDGE TRIMMING
10. GROUND LEVEL CUTTING
REVERSE ROTATION
11. HEDGE TRIMMING
12. GROUND LEVEL CUTTING
REVERSE ROTATION
13. HEDGE TRIMMING
14. GROUND LEVEL CUTTING
REVERSE ROTATION
15. HEDGE TRIMMING
16. GROUND LEVEL CUTTING
REVERSE ROTATION
17. HEDGE TRIMMING
18. GROUND LEVEL CUTTING
REVERSE ROTATION
19. HEDGE TRIMMING
20. GROUND LEVEL CUTTING
REVERSE ROTATION
21. HEDGE TRIMMING
22. GROUND LEVEL CUTTING
REVERSE ROTATION
23. HEDGE TRIMMING
24. GROUND LEVEL CUTTING
REVERSE ROTATION
25. HEDGE TRIMMING
26. GROUND LEVEL CUTTING
REVERSE ROTATION
27. HEDGE TRIMMING
28. GROUND LEVEL CUTTING
REVERSE ROTATION
29. HEDGE TRIMMING
30. GROUND LEVEL CUTTING
REVERSE ROTATION
31. HEDGE TRIMMING
32. GROUND LEVEL CUTTING
REVERSE ROTATION
33. HEDGE TRIMMING
34. GROUND LEVEL CUTTING
REVERSE ROTATION
35. HEDGE TRIMMING
36. GROUND LEVEL CUTTING
REVERSE ROTATION
37. HEDGE TRIMMING
38. GROUND LEVEL CUTTING
REVERSE ROTATION
39. HEDGE TRIMMING
40. GROUND LEVEL CUTTING
REVERSE ROTATION
41. HEDGE TRIMMING
42. GROUND LEVEL CUTTING
REVERSE ROTATION
43. HEDGE TRIMMING
44. GROUND LEVEL CUTTING
REVERSE ROTATION
45. HEDGE TRIMMING
46. GROUND LEVEL CUTTING
REVERSE ROTATION
47. HEDGE TRIMMING
48. GROUND LEVEL CUTTING
REVERSE ROTATION
49. HEDGE TRIMMING
50. GROUND LEVEL CUTTING
REVERSE ROTATION
51. HEDGE TRIMMING
52. GROUND LEVEL CUTTING
REVERSE ROTATION
53. HEDGE TRIMMING
54. GROUND LEVEL CUTTING
REVERSE ROTATION
55. HEDGE TRIMMING
56. GROUND LEVEL CUTTING
REVERSE ROTATION
57. HEDGE TRIMMING
58. GROUND LEVEL CUTTING
REVERSE ROTATION
59. HEDGE TRIMMING
60. GROUND LEVEL CUTTING
REVERSE ROTATION
61. HEDGE TRIMMING
62. GROUND LEVEL CUTTING
REVERSE ROTATION
63. HEDGE TRIMMING
64. GROUND LEVEL CUTTING
REVERSE ROTATION
65. HEDGE TRIMMING
66. GROUND LEVEL CUTTING
REVERSE ROTATION
67. HEDGE TRIMMING
68. GROUND LEVEL CUTTING
REVERSE ROTATION
69. HEDGE TRIMMING
70. GROUND LEVEL CUTTING
REVERSE ROTATION
71. HEDGE TRIMMING
72. GROUND LEVEL CUTTING
REVERSE ROTATION
73. HEDGE TRIMMING
74. GROUND LEVEL CUTTING
REVERSE ROTATION
75. HEDGE TRIMMING
76. GROUND LEVEL CUTTING
REVERSE ROTATION
77. HEDGE TRIMMING
78. GROUND LEVEL CUTTING
REVERSE ROTATION
79. HEDGE TRIMMING
80. GROUND LEVEL CUTTING
REVERSE ROTATION
81. HEDGE TRIMMING
82. GROUND LEVEL CUTTING
REVERSE ROTATION
83. HEDGE TRIMMING
84. GROUND LEVEL CUTTING
REVERSE ROTATION
85. HEDGE TRIMMING
86. GROUND LEVEL CUTTING
REVERSE ROTATION
87. HEDGE TRIMMING
88. GROUND LEVEL CUTTING
REVERSE ROTATION
89. HEDGE TRIMMING
90. GROUND LEVEL CUTTING
REVERSE ROTATION
91. HEDGE TRIMMING
92. GROUND LEVEL CUTTING
REVERSE ROTATION
93. HEDGE TRIMMING
94. GROUND LEVEL CUTTING
REVERSE ROTATION
95. HEDGE TRIMMING
96. GROUND LEVEL CUTTING
REVERSE ROTATION
97. HEDGE TRIMMING
98. GROUND LEVEL CUTTING
REVERSE ROTATION
99. HEDGE TRIMMING
100. GROUND LEVEL CUTTING
REVERSE ROTATION

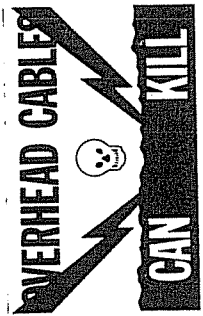
5



26



21



23

28

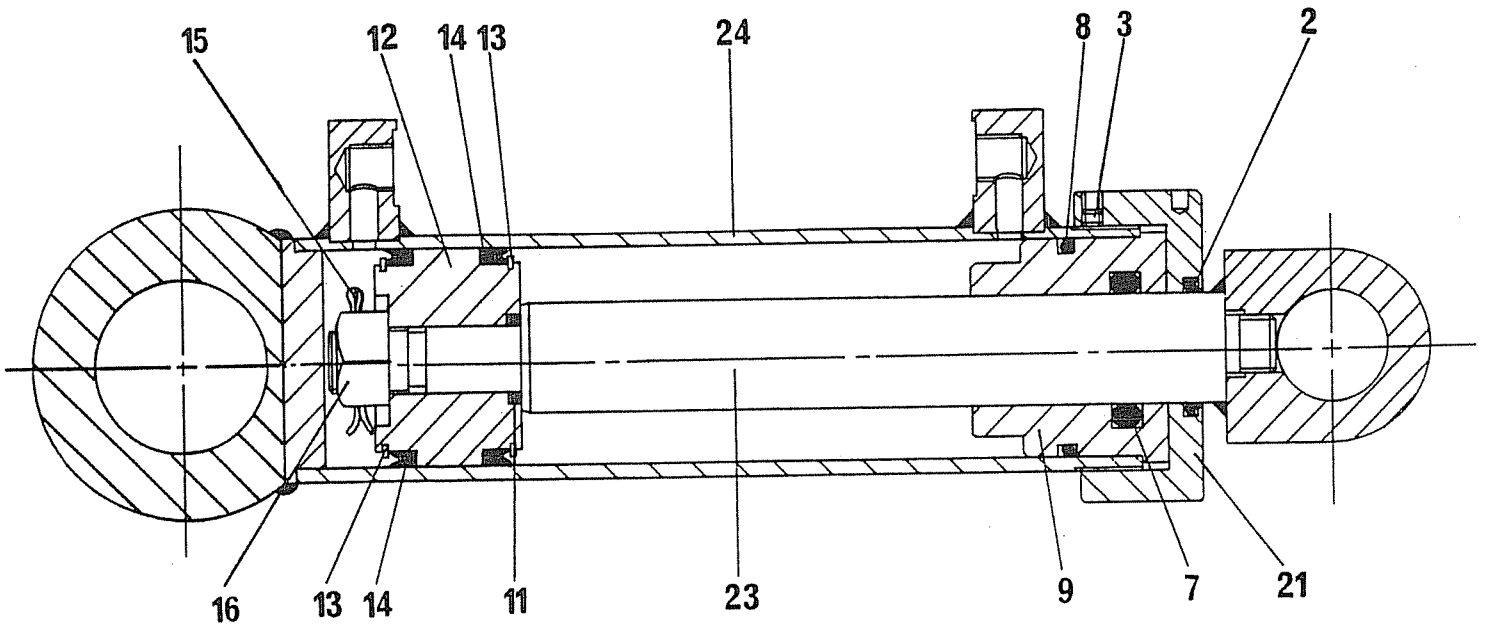
BOMFORD

1

REF	PART NO.	DESCRIPTION	QTY
	71.981.01	<u>DECAL - COWL</u>	
*01	06.958.02	DECAL - BOMFORD	1
*02	02.949.01	DECAL-LIFTING SYMBOL	1
*03	06.007.01	DECAL-WEIGHT 250KG	1
*04	03.785.01	DECAL-GREASE	2
*05	06.641.02	DECAL-GUARDING INSTRUCTIONS	1
	71.963.01	<u>DECAL - BASE</u>	
*20	07.620.01	DECAL - BOMFORD B45-45	1
*21	02.737.06	DECAL SET - ENGLISH (SMALL)	1
*22	02.783.03	DECAL-APPROVED OILS	1
*23	06.678.01	DECAL-OVERHEAD CABLES	1
*24	06.007.05	DECAL-WEIGHT 1000KG	1
*25	02.948.01	DECAL - LIFTING POINT INST	1
*26	02.950.01	DECAL - LIFTING POINT	1
*27	03.785.01	DECAL-GREASE	6
*28	07.692.01	DECAL - LINE	2
*29	07.691.01	DECAL - LINE	1

*MAIN PART IN GROUP, RELATED PARTS HAVE SAME REFERENCE NUMBER.

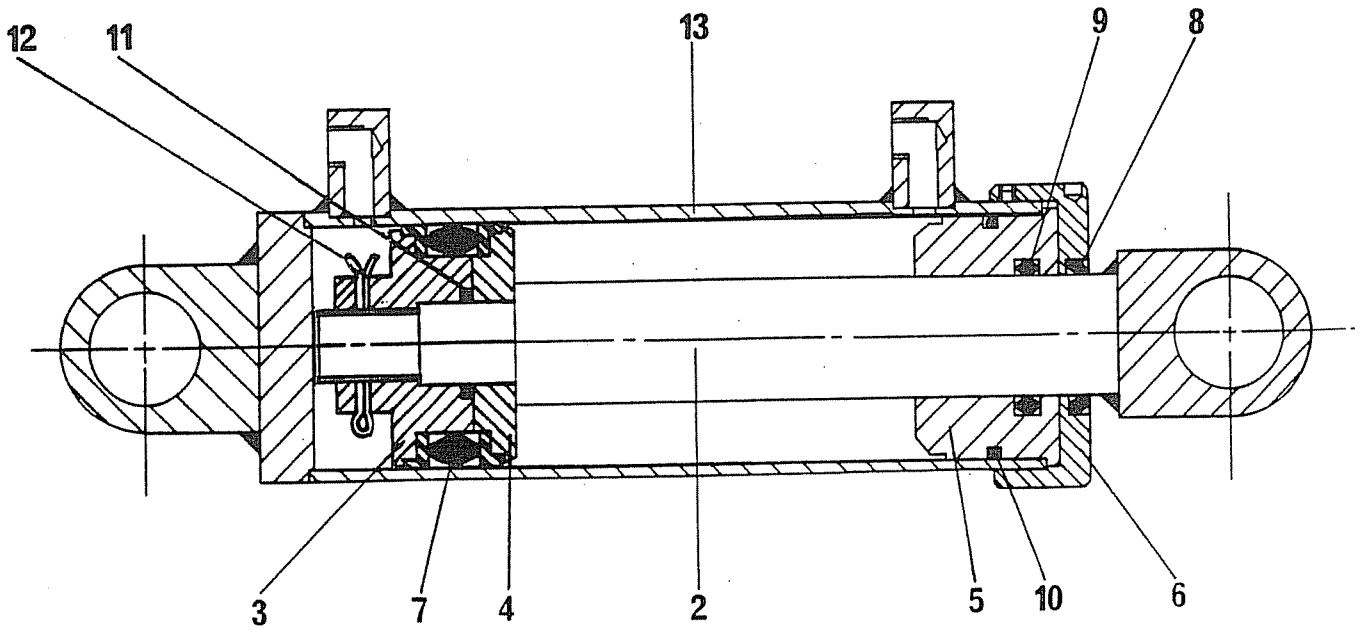
DOUBLE ACTING RAM 80mm BORE 345mm STROKE



REF	PART NO.	DESCRIPTION	QTY
00	06.604.02	SEAL KIT (06.604 RAMS) COMPRISING ITEMS 2,7,8,11 & 14	-
*02	03.455.02	SEAL - WIPER 52 X 39 X 8	1
03	05.388.03	SOCKET GRUBSCREW M6 X 6MM	2
*07	03.454.02	SEAL - INSERT 50 X 39 X 10	1
*08	06.285.10	O-RING	1
09	06.604.06	FRONT INSERT	1
*11	03.456.03	O-RING 27I/D X 3	1
12	06.604.08	PISTON	2
13	06.604.09	RETAINING RING	2
*14	06.604.10	SEAL - PISTON	1
15	05.284.98	SPLIT COTTER 5/32" X 2"	1
16	05.287.06	SELF-LOCKING NUT M24	1
21	06.604.18	FRONT CAP	1
23	06.604.21	ROD 345 STROKE	1
24	06.604.22	CYLINDER 345 STROKE	1

*ITEMS NOT AVAILABLE SEPARATELY - SEE 06.604.02 SEAL KIT

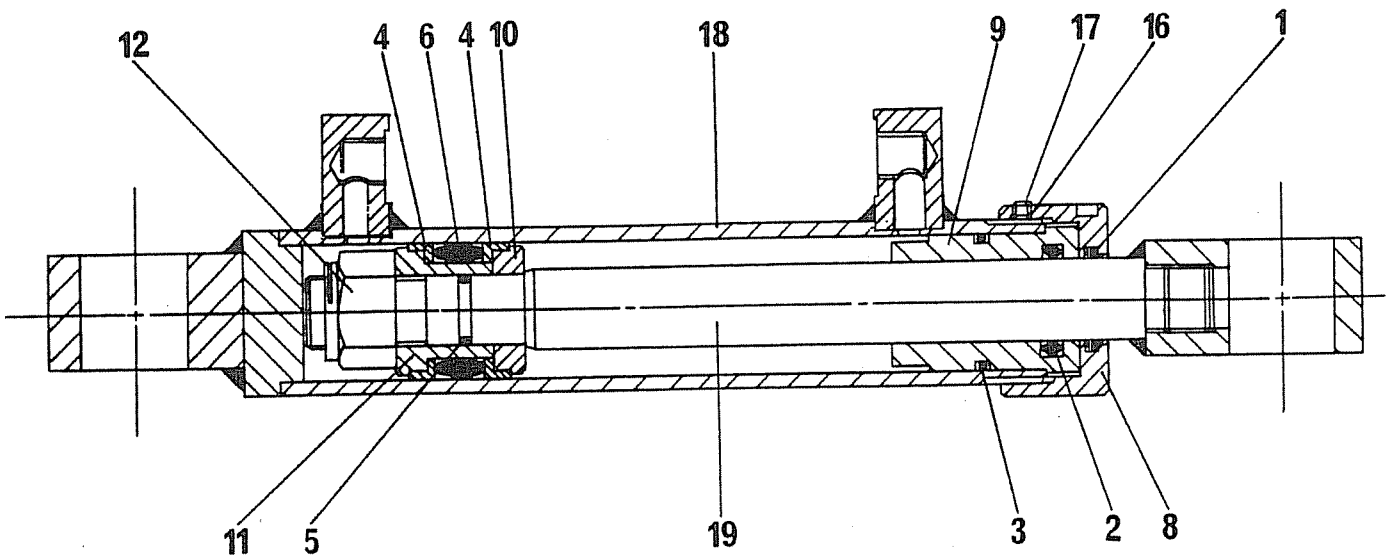
DOUBLE ACTING RAM 4.50in BORE 180mm STROKE



REF	PART NO.	DESCRIPTION	QTY
00	06.467.02	SEAL KIT (06.467.15 RAM) COMPRISING ITEMS 7 - 11	-
02	06.467.04	PISTON ROD ASSY	1
03	06.467.05	PISTON HEAD L4793	1
04	06.467.06	PISTON FLANGE L4794	1
05	06.467.07	FRONT INSERT L4795	1
06	06.467.08	FRONT CAP L4796	1
*07	06.467.09	PISTON SEAL L4802	1
*08	06.467.10	NECK SEAL L2818	1
*09	06.467.11	WIPER SEAL L1755	1
*10	06.467.12	"O" RING L932	1
*11	06.467.13	"O" RING L1776	1
12	06.467.14	SPLIT COTTER PIN	1
13	06.467.16	TUBE ASSEMBLY	1

*ITEMS NOT AVAILABLE SEPARATELY - SEE 06.467.02 SEAL KIT

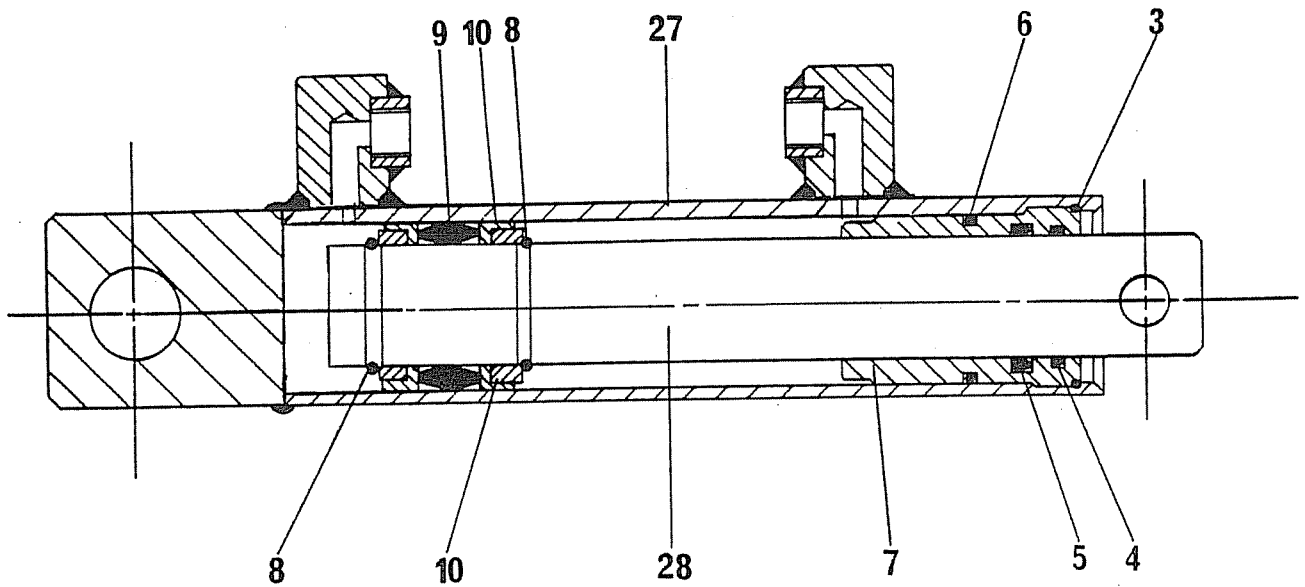
DOUBLE ACTING RAM 50mm BORE 330mm STROKE



REF	PART NO.	DESCRIPTION	QTY
00	02.903.08	SEAL KIT (02.903.12 RAM) COMPRISING ITEMS 1 - 6	-
*01	03.455.03	WIPER SEAL	1
*02	03.454.03	SEAL	1
*03	03.456.06	'O'RING	1
*04	03.453.04	WEAR RING	1
*05	03.456.05	'O'RING	1
*06	03.452.05	SEAL	1
08	02.903.02	CYLINDER CAP	1
09	02.903.03	FRONT INSERT	1
10	02.903.04	BACKING WASHER	1
11	02.903.05	PISTON HEAD	1
12	05.287.06	SELF-LOCKING NUT M24	1
16	02.900.03	PLUG - NYLON PAD	1
17	05.388.03	SOCKET GRUBSCREW M6 X 6MM	1
18	02.903.13	CYLINDER 330 STROKE	1
19	02.903.14	ROD 330 STROKE	1

* ITEMS NOT AVAILABLE SEPARATELY - SEE 02.903.08 SEAL KIT

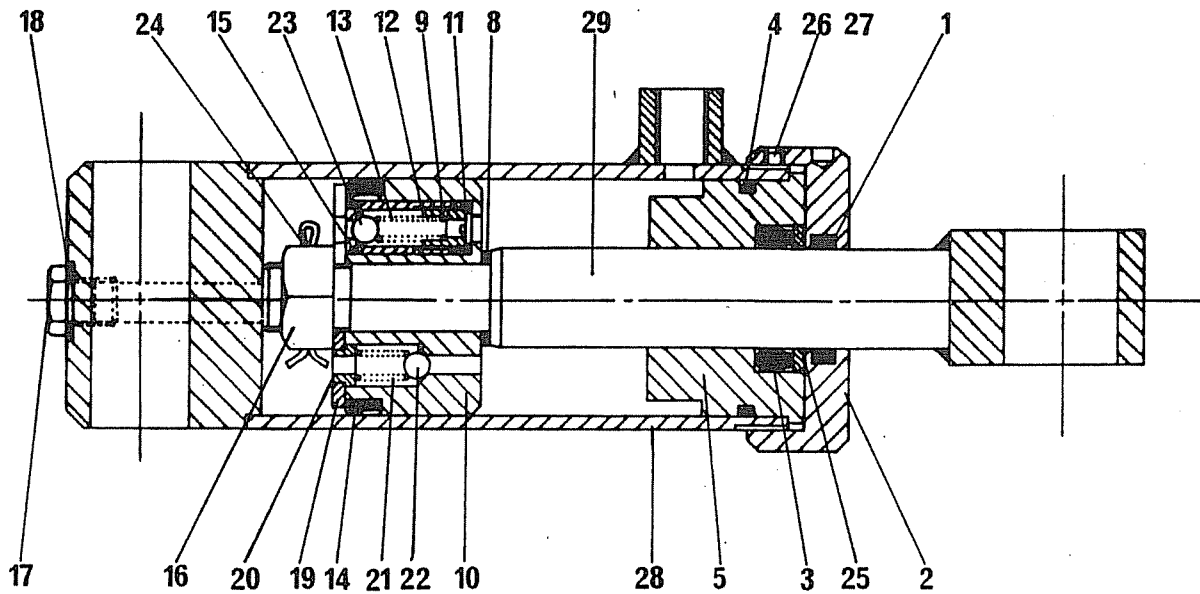
DOUBLE ACTING RAM 50mm BORE 182mm STROKE



REF	PART NO.	DESCRIPTION	QTY
00	03.842.16	SEAL KIT (03842 D/A RAMS) COMPRISING ITEMS 4 - 6 & 9	-
03	03.842.03	WIRE CLIP	1
*04	03.842.04	SEAL-WIPER	1
*05	03.842.05	SEAL-INSERT	1
*06	03.842.06	O-RING	1
07	03.842.07	FRONT INSERT (STEEL)	2
08	06.290.12	WIRE CLIP	1
*09	03.842.09	SEAL-PISTON	2
10	03.842.10	BACKING RING	1
27	03.842.33	CYLINDER 182 STROKE	1
28	03.842.24	RAM ROD 182 STROKE	1

*ITEMS NOT AVAILABLE SEPARATELY - SEE 03.842.16 SEAL KIT

AUTO-RETURN RAM 70MM BORE 85MM STROKE



REF	PART NO.	DESCRIPTION	QTY
00	02.785.32	SEAL KIT(02785 A/R RAM) COMPRISING ITEMS 1, 3, 4, 14, 15, & 18	-
00	02.785.33	CARTRIDGE ASSY	1
*01	02.785.01	SEAL - WIPER	1
02	02.785.02	CYLINDER CAP	1
*03	02.785.03	SEAL - RAM ROD	1
*04	02.785.04	O-RING - INSERT	1
05	02.785.05	FRONT INSERT	1
08	05.290.10	BONDED SEAL 20MM I/D	1
09	02.785.09	ADJUSTING SCREW	1
10	02.785.26	PISTON	1
11	02.785.08	LOCKING COLLAR	1
12	02.785.10	CARTRIDGE BODY	1
13	02.785.28	SPRING	1
*14	02.785.17	SEAL-PRESSURE 70 DIA X 10	1
*15	02.785.12	O-RING - CARTRIDGE	1
16	05.286.05	NUT M20	1
17	02.785.13	PLUG 1/4"BSP	1
*18	05.290.02	BONDED SEAL 1/4"BSP	1
19	02.785.16	BACKING WASHER	1
20	02.785.29	SPIGOT	1
21	02.785.34	SPRING-COMP.	1
22	00.869.03	BALL BEARING 5/16DIA	1
23	02.785.27	BALL BEARING 7/16DIA	1
24	05.284.97	SPLIT COTTER 5/32" X 1.3/4"	1
25	02.785.22	ANTI-EX. RING	1
26	05.388.03	SOCKET GRUBSCREW M6 X 6MM	1
27	02.900.03	PLUG - NYLON PAD	1
*28	02.785.24	CYLINDER	1
29	02.785.35	ROD 85 STROKE	1

*ITEMS NOT AVAILABLE SEPARATELY - SEE 02.785.20 SEAL KIT