

PM933

B435, B457

ARM MOWER

PARTS MANUAL

IMPORTANT

NOTE HERE THE SERIAL NUMBER OF YOUR MACHINE AND ALWAYS QUOTE IT IN ANY COMMUNICATION WITH US OR YOUR DEALER. THIS IS PARTICULARLY IMPORTANT WHEN ORDERING SPARES. REMEMBER TO INCLUDE ALL NUMBERS AND LETTERS.

MACHINE SERIAL NUMBERS _____

THE INFORMATION GIVEN THROUGHOUT THIS MANUAL IS CORRECT AT THE TIME OF PUBLICATION. HOWEVER, IN THE COURSE OF CONSTANT DEVELOPMENT OF BOMFORD TURNER MACHINES, CHANGES IN SPECIFICATION ARE INEVITABLE. SHOULD YOU FIND THE INFORMATION GIVEN IN THIS BOOK TO BE AT VARIANCE WITH THE MACHINE IN YOUR POSSESSION, YOU ARE ADVISED TO CONTACT THE BOMFORD TURNER SERVICE DEPARTMENT WHERE UP-TO-DATE INFORMATION WILL BE PROVIDED.

THE MANUAL CAN CONTAIN STANDARD AND OPTIONAL FEATURES AND IS NOT TO BE USED AS A MACHINE SPECIFICATION.

THE MACHINE HAS BEEN TESTED AND IS CONSIDERED SAFE IF CAREFULLY USED. ENSURE YOUR OPERATOR IS PROPERLY TRAINED IN ITS USE AND MAINTENANCE.

IMPORTANT

NOTEZ ICI LES NUMEROS DE SERIE DE VOTRE MACHINE ET MENTIONNEZ LES DANS TOUTE COMMUNICATION AVEC NOS SERVICES OU VOTRE REVENDEUR. CE CI EST IMPORTANT POUR LA COMMANDE DE PIECES DETACHEES. PENSEZ A NOTER TOUS LES NUMEROS ET TOUTES LES LETTERS.

NUMEROS DE SERIE DE LA MACHINE _____

LES INFORMATIONS DONNEES DANS CE MANUEL SONT CORRECTES CEPENDANT, DU FAIT DE DEVELOPPEMENT CONSTANT DES MACHINES BOMFORD TURNER.

CHANGEMENTS DANS LES CARACTERISTIQUES SONT INEVITABLES.

SI VOUS TROUVEZ QUE LES INFORMATIONS DONNEES NE CORRESPONDENT PAS A VOTRE MACHINE VEUILLEZ CONTACTER LE SERVICE DES REPARATIONS OU DES INFORMATIONS PLUS RECENTES VOUS SERONT DONNEES. CE MANUEL PEUT MONTRER DES CARACTERISTIQUES OPTIONNELLES ET NE PEUT PAS ETRE CONSIDERE COMME SPECIFICATION DE LA MACHINE.

CETTE MACHINE A ETE TESTEE, ET ELLE EST CONSIDEREE COMME FIABLE A CONDITION D'UNE BONNE UTILISATION. ASSUREZ-VOUS QUE VOTRE OPERATEUR EST QUALIFIE EN CE QUI CONCERNE L'UTILISATION DE LA MACHINE AINSI QUE SON ENTRETIEN.

WICHTIG

TRAGEN SIE HIER DIE SERIENNUMMERN IHRER MASCHINE EIN UND GEBEN SIE DIESE IMMER AN, WENN SIE SICH AN UNS ODER IHREN HÄNDLER WENDEN. DAS IST BESONDERS BEI ERSATZTEILBESTELLUNGEN WICHTIG. VERGESSEN SIE NICHT, ALLE ZAHLEN UND BUCHSTABEN ZU NOTIEREN.

SERIENNUMMERN DER MASCHINE _____

DIE ANGABEN IN DIESEM HANDBUCH SIND BEI VERÖFFENTLICHUNG KORREKT. AUFGRUND DER KONSTANTEN WEITERENTWICKLUNG VON BOMFORD TURNER MASCHINEN SIND JEDOCHÄNDERUGDEN IN DER SPEZIFIKATION UNVERMEIDLICH. WENN DIE INFORMATION IN DIESEM HANDBUCH NICHT MIT IHRER MASCHINE ÜBEREINSTIMMEN, NEHMEN SIE BITTE KONTAKT MIT DER BOMFORD TURNER KUNDENDIENSTABTEILUNG AUF, DIE IHNEN GERNE DIE AKTUELLEN INFORMATION ZUKOMMEN LÄSST.

DAS HANDBUCH KANN SOWOHL BESCHREIBUNGEN FÜR DIE STANDARD AUSFÜHRUNG ALS AUCH FÜR ZUBEHÖR ENTHALTEN UND IST NICHT ALS MASCHINENSPEZIFIKATION ZU VERWENDET.

DIE MASCHINE IST GETESTET UND BEI SACHGEMÄSSEM BETRIEB ALS SICHER BEFUNDEN WORDEN. SORGEN SIE DAFÜR, DASS IHR BEDIENPERSONAL IN ANWENDUNG UND WARTUNG RICHTIG GESCHULT WIRD.

FOR MACHINE WITH SERIAL NUMBERS COMMENCING FROM:

MAINFRAME B435 **2536 X** MAINFRAME B457 **2536 X**
 COWL 950MM **1084 NA** COWL 1100MM **1970 RA**

| <u>PAGE NO.</u> | <u>DESCRIPTION</u> | <u>SCHEDULE NO.</u> |
|-----------------|-----------------------------|---------------------|
| 2-1 to 2-2 | MAINFRAME | 71.910.01 |
| | MAINFRAME | 71.911.01 |
| 3-1 to 3-2 | CONTROL VALVE | 71.236.01 |
| 4-1 to 4-2 | REMOTE CONTROL ASSEMBLY | 71.005.01 |
| | REMOTE CONTROL ASSEMBLY | 71.237.01 |
| *5-1 to 5-3 | GEARBOX/PTO (SINGLE PUMP) | 71.238.01 |
| | PUMP ASSEMBLY (SINGLE PUMP) | 71.239.02 |
| | PUMP CIRCUIT (SINGLE PUMP) | 71.240.02 |
| *6-1 to 6-3 | GEARBOX/PTO (TWIN PUMP) | 71.249.01 |
| | PUMP ASSEMBLY (TWIN PUMP) | 71.405.02 |
| | PUMP CIRCUIT (TWIN PUMP) | 71.912.01 |
| *7-1 to 7-3 | FIRST ARM | 71.241.01 |
| | SECOND ARM | 71.242.01 |
| | COWL BRACKET LH | 71.213.01 |
| | COWL BRACKET RH | 71.214.01 |
| 8-1 to 8-2 | RAMS/HOSES (SINGLE PUMP) | 71.243.02 |
| 9-1 to 9-2 | RAMS/HOSES (TWIN PUMP) | 71.252.02 |
| 10-1 to 10-2 | DECALS (BASE MACHINE ONLY) | 71.245.03 |
| 11-1 to 11-2 | COWL 950MM | 71.557.01 |
| | COWL 950MM | 71.558.01 |
| *12-1 to 12-3 | MOTOR ASSEMBLY | 71.260.01 |
| | ROTOR SHAFT | 71.568.01 |
| | ROTOR SHAFT | 71.569.01 |
| | BEARING ASSEMBLY | 71.567.01 |
| | ROLLER ASSEMBLY | 71.551.02 |
| | SKID ASSEMBLY | 71.552.01 |
| 13-1 to 13-2 | COWL 1100 | 71.255.01 |
| | COWL 1100 | 71.266.01 |
| *14-1 to 14-3 | MOTOR ASSEMBLY | 71.260.01 |
| | ROTOR SHAFT | 71.257.01 |
| | ROTOR SHAFT | 71.258.01 |
| | BEARING ASSEMBLY | 71.259.02 |
| | ROLLER ASSEMBLY | 71.261.02 |
| | SKID ASSEMBLY | 71.262.01 |
| 15-1 to 15-2 | DECALS | 71.263.02 |
| 16-1 to 16-2 | ACCUMULATOR KIT | 71.007.03 |

HYDRAULIC RAM DETAILS

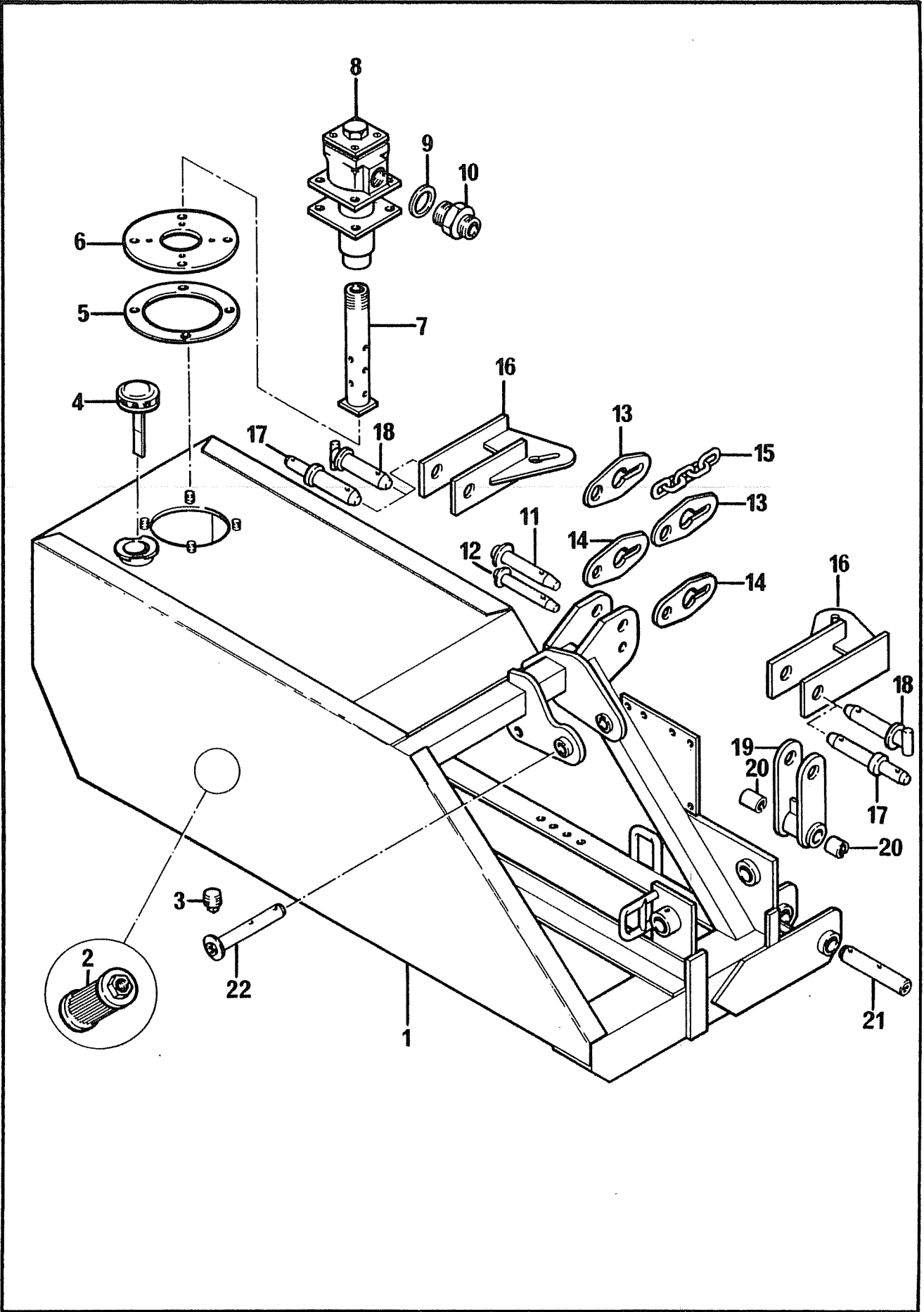
17 - 1 FIRST RAM 04.271.10
 18 - 1 SECOND RAM 04.156.12
 19 - 1 THIRD RAM 03.842.15

IMPORTANT

IT IS POTENTIALLY HAZARDOUS TO FIT OR USE
 ANY PARTS OTHER THAN GENUINE BOMFORD TURNER PARTS.

THE COMPANY DISCLAIMS ALL LIABILITY FOR THE
 CONSEQUENCES OF SUCH USE, WHICH IN ADDITION
 VOIDS THE MACHINE WARRANTY.

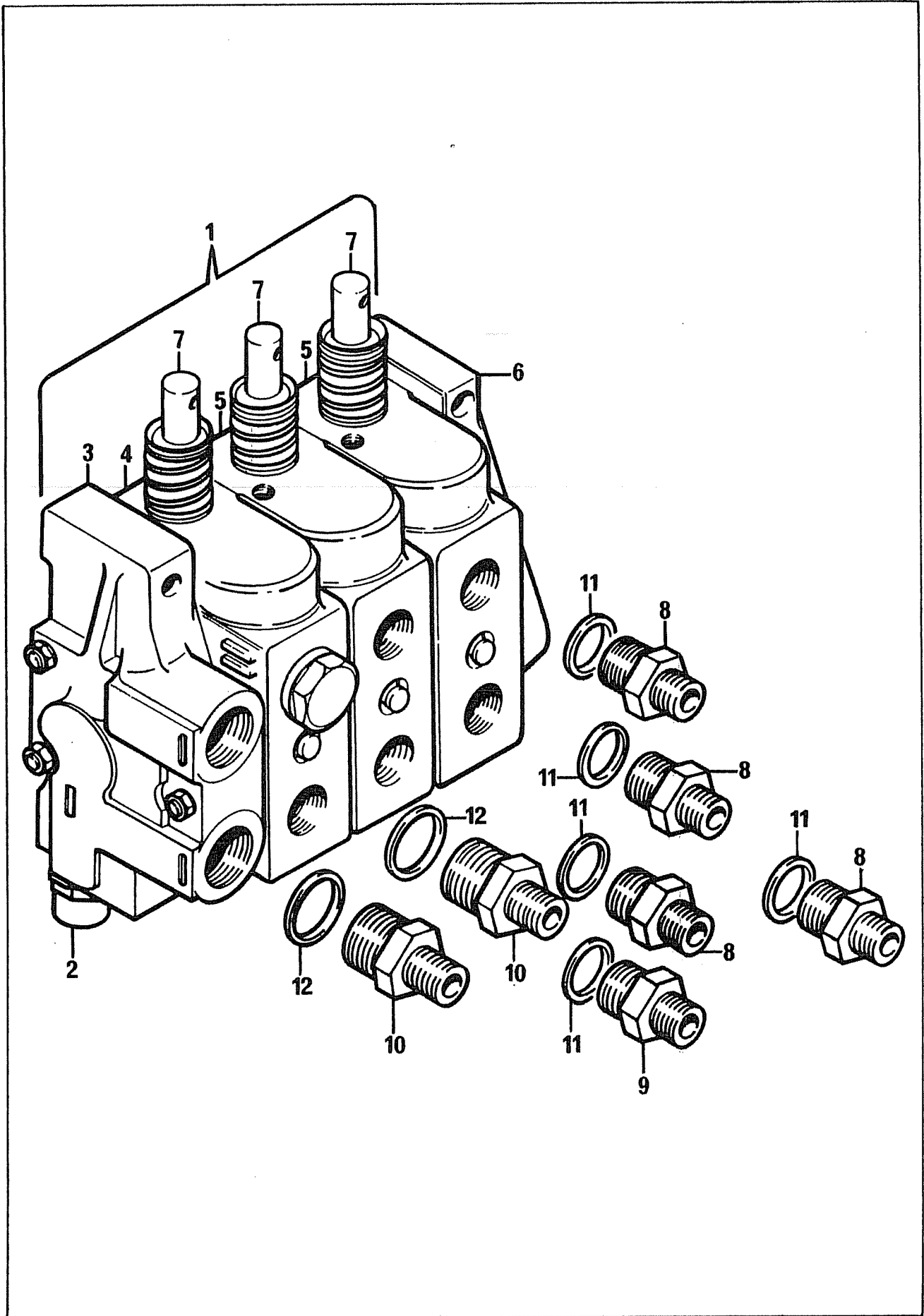
THIS MACHINE IS FOR VEGETATION CONTROL AND
 MUST NOT BE USED FOR ANY OTHER PURPOSE.



71.910.01, 71.911.01

| REF. | PART NO. | DESCRIPTION | QTY | SERIAL NO FROM - TO |
|------|-----------|--------------------------------|-----|------------------------|
| *01 | 07.515.01 | MAINFRAME LH (NOT ILLUSTRATED) | 1 | |
| *01 | 07.515.02 | MAINFRAME RH (ILLUSTRATED) | 1 | |
| 01 | 05.281.01 | FLAT WASHER 8MM PLATED | 4 | |
| 01 | 05.286.01 | NUT M8 PLATED | 4 | |
| 01 | 05.774.02 | SERIAL NUMBER PLATE | 1 | |
| *02 | 05.367.02 | FILTER - SUCTION | 1 | |
| *03 | 05.495.01 | PLUG 1/2" BSPT PLATED | 1 | |
| *04 | 02.796.10 | BREATHER CAP AND DIPSTICK | 1 | |
| *05 | 03.823.01 | GASKET | 1 | |
| *06 | 03.822.01 | PLATE - FILTER MOUNTING | 1 | |
| *07 | 03.825.01 | PIPE - FILTER | 1 | |
| 08 | 03.824.04 | GASKET | - | |
| *08 | 03.824.05 | FILTER ASSY(110 LITRE) | 1 | |
| 08 | 03.824.07 | FILTER ELEMENT(110 LITRE) | - | |
| 08 | 05.282.07 | SPRING WASHER 6MM PLATED | 4 | |
| 08 | 05.839.04 | SETSCREW M6 X 30MM PLATED | 4 | |
| *09 | 05.290.07 | BONDED SEAL 1" BSP | 1 | |
| *10 | 05.373.01 | ADAPTOR 3/4" BSP X 1" BSP | 1 | |
| 11 | 00.372.01 | LINCH PIN | 1 | |
| *11 | 03.873.01 | PIN 1" DIA X 140MM | 1 | |
| 12 | 00.372.01 | LINCH PIN | 1 | |
| *12 | 03.874.01 | PIN 3/4" DIA X 140MM | 1 | |
| *13 | 04.023.01 | PLATE - STABILISER CAT 2 | 2 | |
| *14 | 04.023.02 | PLATE - STABILIZER CAT 1 | 2 | |
| *15 | 03.869.01 | CHAIN 8MM DIA X 1800MM | 1 | |
| *16 | 03.867.01 | BRACKET - STABILISER | 2 | |
| 17 | 00.372.01 | LINCH PIN | - | |
| *17 | 05.159.01 | PIN - DUAL CATEGORY | - | |
| 18 | 00.372.01 | LINCH PIN | 2 | |
| *18 | 06.318.01 | PIN - 1.1/8" DIA X 103 | 2 | |
| *19 | 07.516.01 | LINK - BREAKOUT | 1 | |
| *20 | 02.771.06 | TENSION BUSH 35 X 30 X 30 | 2 | |
| *21 | 03.654.19 | PIN 30 DIA X 153 | 1 | |
| 21 | 03.786.01 | INSTRUCTION PLATE-GREASE M6 | 1 | |
| 21 | 05.201.07 | TENSION PIN 8MM X 45MM | 1 | |
| 21 | 05.953.01 | GREASE NIPPLE M6 | 1 | |
| 22 | 03.786.02 | INSTRUCTION PLATE-GREASE M10 | 1 | |
| 22 | 05.201.11 | TENSION PIN 5MM X 45MM | 1 | |
| 22 | 05.953.03 | GREASE NIPPLE M10 | 1 | |
| *22 | 06.272.01 | PIN 30 DIA X 161 | 1 | |

*MAIN PART IN GROUP, RELATED PARTS HAVE SAME REFERENCE NUMBER



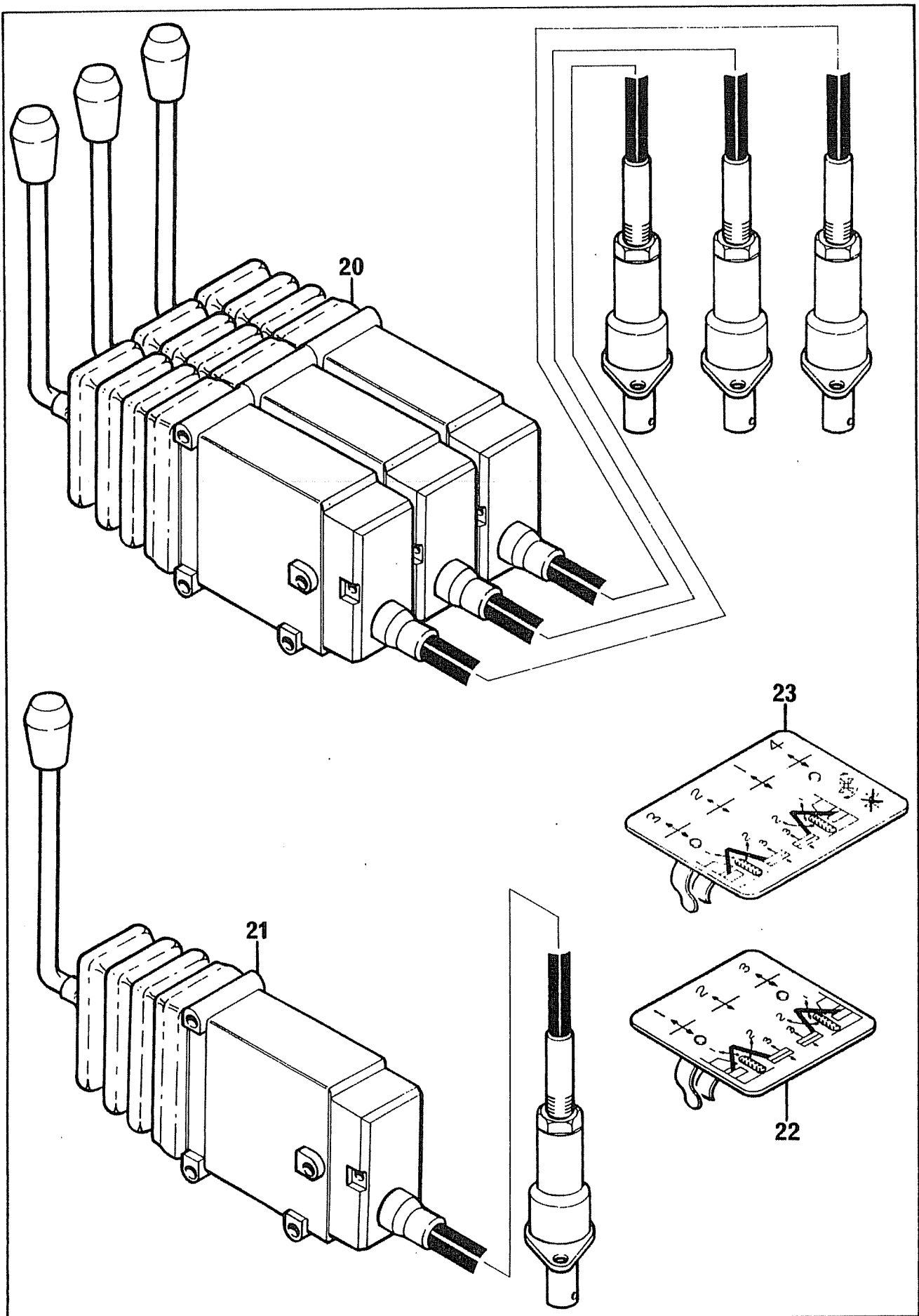
CONTROL VALVE

71.236.01

| REF | PART NO | DESCRIPTION | QTY | SERIAL NO FROM - TO |
|-----|-----------|---------------------------------|-----|------------------------|
| *01 | 01.407.38 | VALVE ASSY - 3 SPOOL O.C. | 1 | |
| 01 | 05.449.01 | SEAL KIT (01407 VALVES) | - | |
| 01 | 05.625.11 | SOCKET CAPSCREW 1/4" UNC X 5/8" | 6 | |
| *02 | 01.407.17 | RELIEF VALVE CARTRIDGE | - | |
| *03 | 01.407.21 | INLET COVER ASSY C/W R/V | - | |
| *04 | 01.407.26 | VALVE SLICE ASSY S/A | - | |
| *05 | 01.407.14 | VALVE SLICE ASSY D/A | - | |
| 06 | 01.407.15 | END COVER C.C. | - | |
| *06 | 01.407.20 | END COVER O.C. | - | |
| 06 | 05.282.02 | SPRING WASHER 10MM PLATED | 3 | |
| 06 | 05.286.02 | NUT M10 PLATED | 3 | |
| 06 | 05.291.17 | BOLT M10 X 60MM PLATED | 3 | |
| *07 | 03.542.01 | SPECIAL ADAPTOR - CABLE | - | |
| *08 | 01.099.03 | ADAPTOR 1/2" BSP X 1/4" BSP | 4 | |
| *09 | 05.123.01 | ADAPTOR 1/2" BSP X 3/8" BSP | 1 | |
| *10 | 05.128.01 | ADAPTOR 3/4" BSP X 3/8" BSP | 2 | |
| *11 | 05.290.05 | BONDED SEAL 1/2" BSP | 5 | |
| *12 | 05.290.06 | BONDED SEAL 3/4" BSP | 2 | |

* MAIN PART IN GROUP, RELATED PARTS HAVE SAME REFERENCE NUMBER.

REMOTE CONTROL ASSEMBLIES

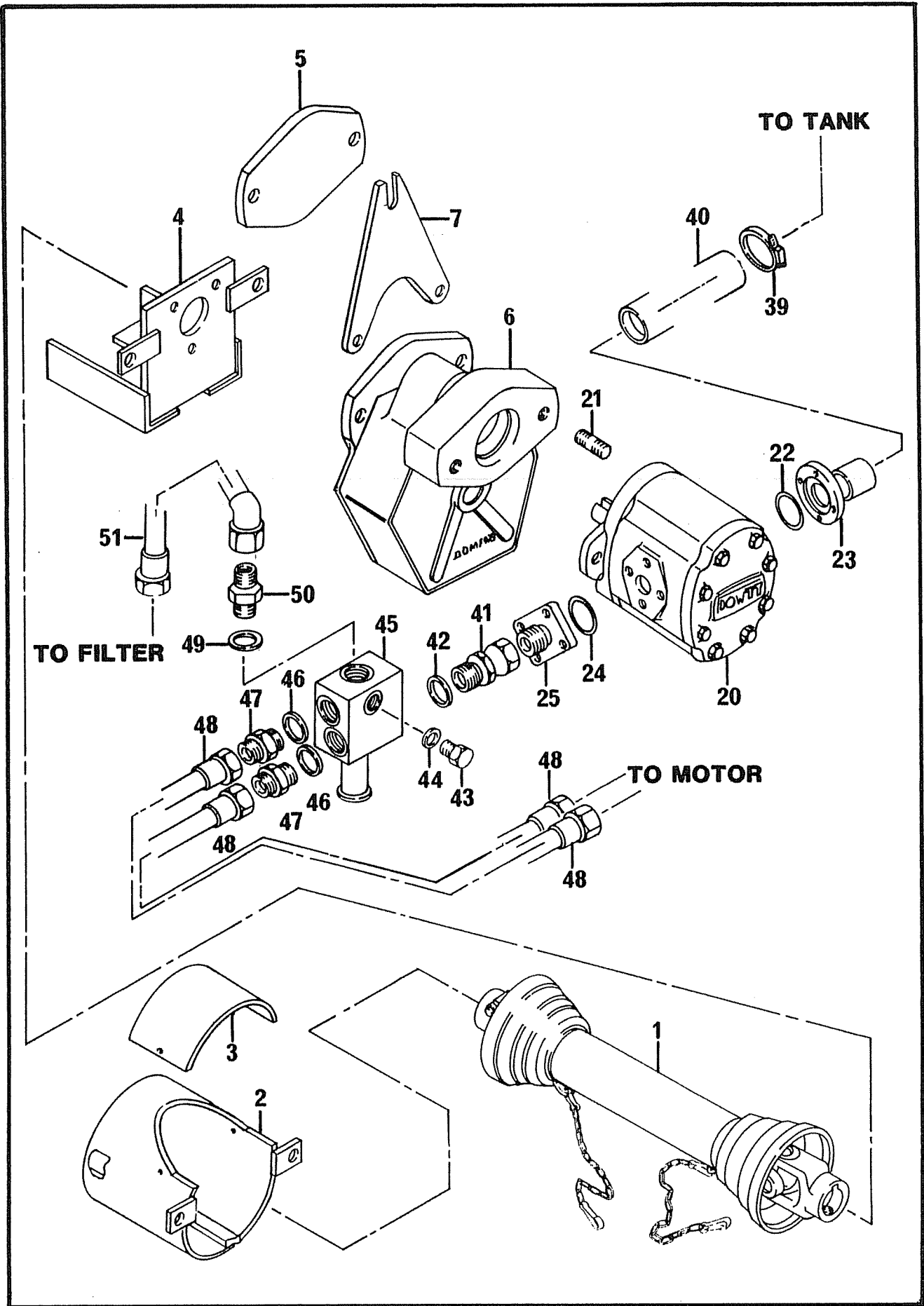


REMOTE CONTROL ASSEMBLIES

| REF | PART NO | DESCRIPTION | QTY | SERIAL NO FROM - TO |
|-----------|-----------|---|-----|------------------------|
| 71.237.01 | | <u>REMOTE CONTROL ASSEMBLY - SINGLE PUMP</u> | | |
| *20 | 04.265.02 | REMOTE CONTROL ASSY - 3 BANK 2.0M | 1 | |
| 20 | 04.265.05 | REMOTE CONTROL ASSY - 1 BANK 2.0M | - | |
| 20 | 04.265.07 | CABLE ASSY 2.0M | - | |
| 20 | 04.265.08 | LEVER ASSY | - | |
| 20 | 04.265.11 | BUSH - PLASTIC | - | |
| 20 | 04.265.19 | SPRING COVER | - | |
| 20 | 04.265.24 | LEVER | - | |
| 20 | 04.265.28 | PIN | - | |
| *22 | 03.541.06 | INSTRUCTION PLATE - RAM OP. | 1 | |
| 71.005.01 | | <u>REMOTE CONTROL ASSEMBLY - TWIN PUMP MACHINES</u> | | |
| *20 | 04.265.02 | REMOTE CONTROL ASSY - 3 BANK 2.0M | 1 | |
| 20 | 04.265.05 | REMOTE CONTROL ASSY - 1 BANK 2.0M | - | |
| 20 | 04.265.07 | CABLE ASSY 2.0M | - | |
| 20 | 04.265.08 | LEVER ASSY | - | |
| 20 | 04.265.11 | BUSH - PLASTIC | - | |
| 20 | 04.265.19 | SPRING COVER | - | |
| 20 | 04.265.24 | LEVER | - | |
| 20 | 04.265.28 | PIN | - | |
| 21 | 04.265.08 | LEVER ASSY | - | |
| 21 | 04.265.11 | BUSH - PLASTIC | - | |
| 21 | 04.265.19 | SPRING COVER | - | |
| 21 | 04.265.53 | LEVER - SHORT | - | |
| 21 | 04.265.28 | PIN | - | |
| 21 | 04.265.33 | CABLE ASSY 2.5M | - | |
| *21 | 04.265.35 | REMOTE CONTROL ASSY - 1 BANK 2.5M | 1 | |
| 21 | 04.282.01 | STUD M8 X 196MM PLATED | 3 | |
| 21 | 05.286.01 | NUT M8 PLATED | 3 | |
| *23 | 03.541.09 | INSTRUCTION PLATE - RAM OP. | 1 | |

* MAIN PART IN GROUP, RELATED PARTS HAVE SAME REFERENCE NUMBER

GEARBOX/PTO ASSEMBLY, PUMP ASSEMBLY AND PUMP CIRCUIT (SINGLE PUMP)

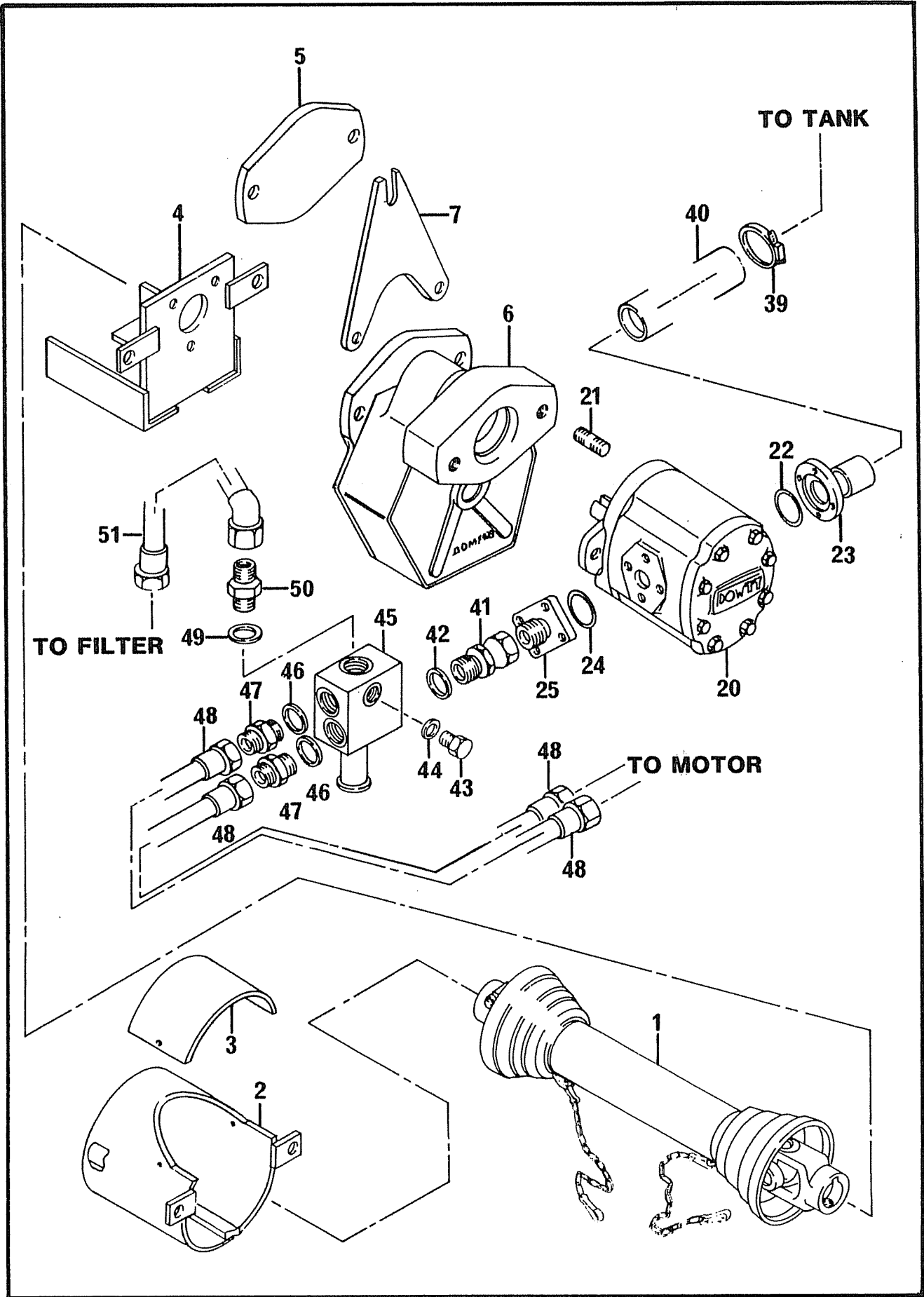


GEARBOX/PTO ASSEMBLY, PUMP ASSEMBLY AND PUMP CIRCUIT (SINGLE PUMP)

| REF | PART NO | DESCRIPTION | QTY | SERIAL NO FROM - TO |
|-----------|-----------|--------------------------------------|-----|------------------------|
| 71.238.01 | | <u>GEARBOX/PTO</u> | | |
| *01 | 04.043.20 | PTO SHAFT ASSY 610MM CRS | 1 | |
| 01 | 04.043.02 | JOURNAL BEARING KIT | - | |
| 01 | 04.043.03 | PTO SHAFT GUARD ASSY | - | |
| 02 | 05.264.02 | SETSCREW M8 X 25MM PLATED | 2 | |
| 02 | 05.282.01 | SPRING WASHER 8MM PLATED | 2 | |
| 02 | 05.286.01 | NUT M8 PLATED | 2 | |
| *02 | 06.170.01 | GUARD - PTO | 1 | |
| *03 | 04.063.01 | PLATE - COVER | 1 | |
| 03 | 05.969.01 | SELF - TAPPING SCREW NO.6 X 1/2" | 2 | |
| *04 | 04.049.02 | BRACKET - GEARBOX | 1 | |
| 04 | 05.264.23 | SETSCREW M12 X 30MM PLATED | 3 | |
| 04 | 05.264.24 | SETSCREW M12 X 35MM PLATED | 2 | |
| 04 | 05.282.03 | SPRING WASHER 12MM PLATED | 5 | |
| 04 | 05.286.03 | NUT M12 PLATED | 2 | |
| *05 | 04.182.01 | PLATE - BLANKING | 1 | |
| 05 | 05.282.02 | SPRING WASHER 10MM PLATED | 2 | |
| 05 | 05.286.02 | NUT M10 PLATED | 2 | |
| 05 | 05.291.13 | BOLT M10 X 40MM PLATED | 2 | |
| *06 | 03.840.37 | GEARBOX ASSEMBLY | 1 | |
| 06 | 03.840.02 | SEAL KIT (03840 GEARBOXES) | - | |
| 07 | 05.264.24 | SETSCREW M12 X 35MM PLATED | 1 | |
| 07 | 05.281.03 | FLAT WASHER 12MM PLATED | 1 | |
| 07 | 05.287.03 | SELF - LOCKING NUT M12 PLATED | 1 | |
| *07 | 06.157.01 | STAY - GEARBOX | 1 | |
| 07 | 06.157.02 | STAY - GEARBOX (RH MACHINES) | 1 | |
| 71.239.02 | | <u>PUMP ASSEMBLY</u> | | |
| 20 | 01.071.13 | KEY-SEP 1/4" X 1/4" X 1" | - | |
| 20 | 05.642.02 | SEAL KIT (05 650 PUMPS) | - | |
| *20 | 05.650.02 | PUMP ASSY (207 BAR) | 1 | |
| *21 | 03.100.01 | STUD M10 X 34MM | 2 | |
| 21 | 05.282.02 | SPRING WASHER 10MM PLATED | 2 | |
| 21 | 05.286.02 | NUT M10 PLATED | 2 | |
| *22 | 05.656.01 | "O" RING 28 I/D X 2.5 | 1 | |
| *23 | 03.050.02 | ADAPTOR - FLANGED 1.1/2" O/D PLATED | 1 | |
| 23 | 05.657.01 | SCKT CAPSCRW 5/16" UNC X 7/8" PLATED | 4 | |
| *24 | 05.656.03 | "O" RING 25 I/D X 3.53 | 1 | |
| *25 | 03.864.01 | ADAPTOR - FLANGED 3/4" BSP PLATED | 1 | |
| 25 | 05.657.01 | SCKT CAPSCRW 5/16" UNC X 7/8" PLATED | 4 | |

* MAIN PART IN GROUP, RELATED PARTS HAVE SAME REFERENCE NUMBER

GEARBOX/PTO ASSEMBLY, PUMP ASSEMBLY AND PUMP CIRCUIT (SINGLE PUMP)

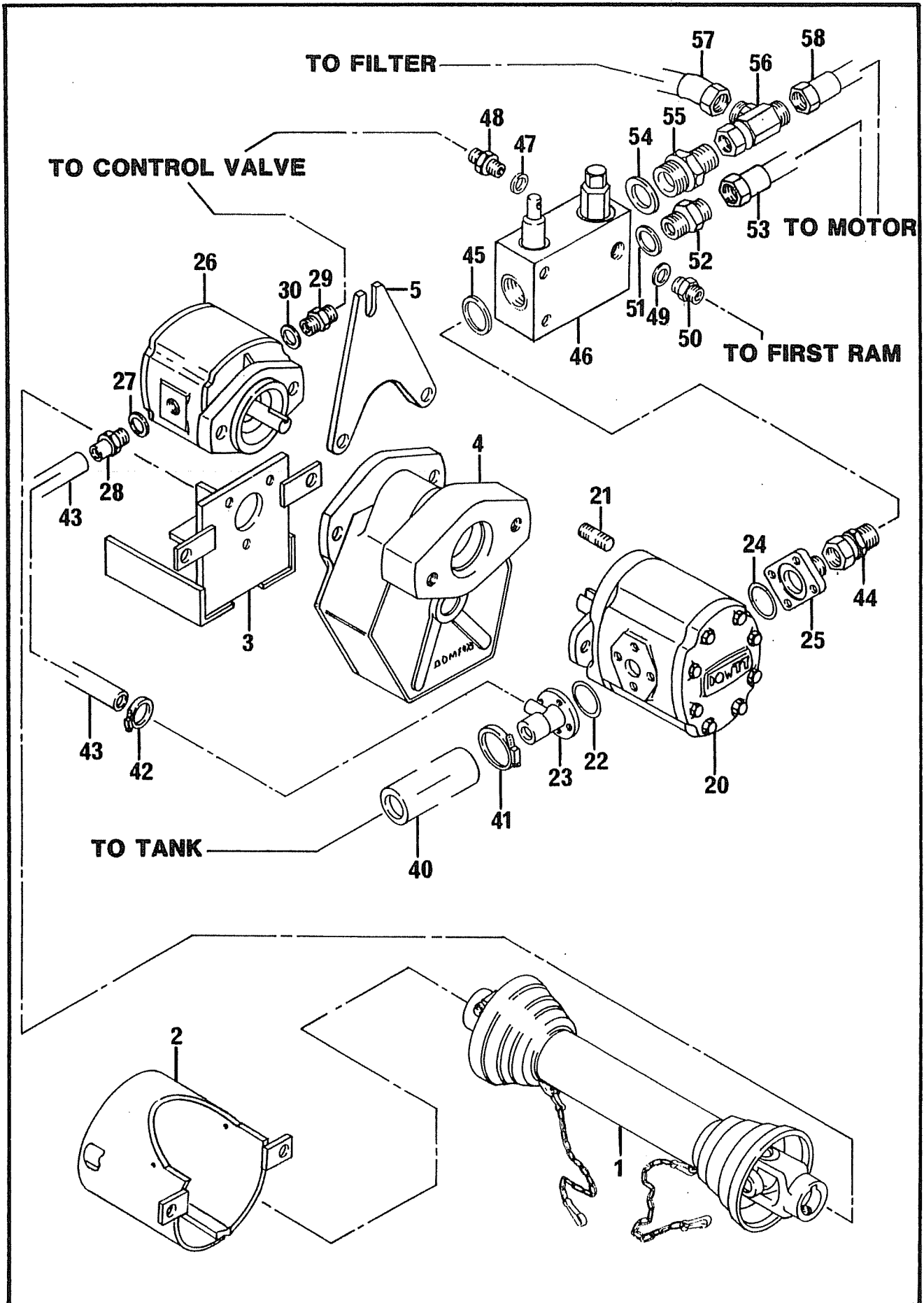


**GEARBOX/PTO ASSEMBLY, PUMP ASSEMBLY AND PUMP CIRCUIT
(SINGLE PUMP)**

| REF | PART NO | DESCRIPTION | QTY | SERIAL NO FROM - TO |
|-----------|-----------|-----------------------------------|-----|------------------------|
| 71.240.02 | | <u>PUMP CIRCUIT (SINGLE PUMP)</u> | | |
| *39 | 05.863.02 | JUBILEE CLIP 2" DIA | 2 | |
| *40 | 06.288.01 | HOSE 1.1/2" BORE X 120MM | 1 | |
| *41 | 03.858.01 | ADAPTOR - SWIVEL ST 3/4" BSP M/F | 1 | |
| *42 | 05.290.06 | BONDED SEAL 3/4" BSP | 1 | |
| *43 | 05.433.01 | PLUG 3/8" BSP PLATED | 1 | |
| *44 | 05.117.01 | COPPER WASHER 3/8" BSP | 1 | |
| 45 | 03.419.06 | RELIEF VALVE CARTRIDGE 152 BAR | 1 | |
| 45 | 03.862.02 | SEAL KIT (03862 VALVES) | - | |
| *45 | 03.862.06 | RELIEF VALVE ASSY | 1 | |
| *46 | 05.290.06 | BONDED SEAL 3/4" BSP | 2 | |
| *47 | 05.377.01 | ADAPTOR 3/4" BSP X 3/4" BSP | 2 | |
| *48 | 05.995.99 | HOSE 3/4" BSP X 5300MM ST X ST | 2 | |
| *49 | 05.290.06 | BONDED SEAL 3/4" BSP | 1 | |
| *50 | 05.377.01 | ADAPTOR 3/4" BSP X 3/4" BSP | 1 | |
| *51 | 05.994.95 | HOSE 3/4" BSP X 975MM 130° X ST | 1 | |

* MAIN PART IN GROUP, RELATED PARTS HAVE SAME REFERENCE NUMBER

GEARBOX/PTO ASSEMBLY, PUMP ASSEMBLY AND PUMP CIRCUIT (TWIN PUMP)

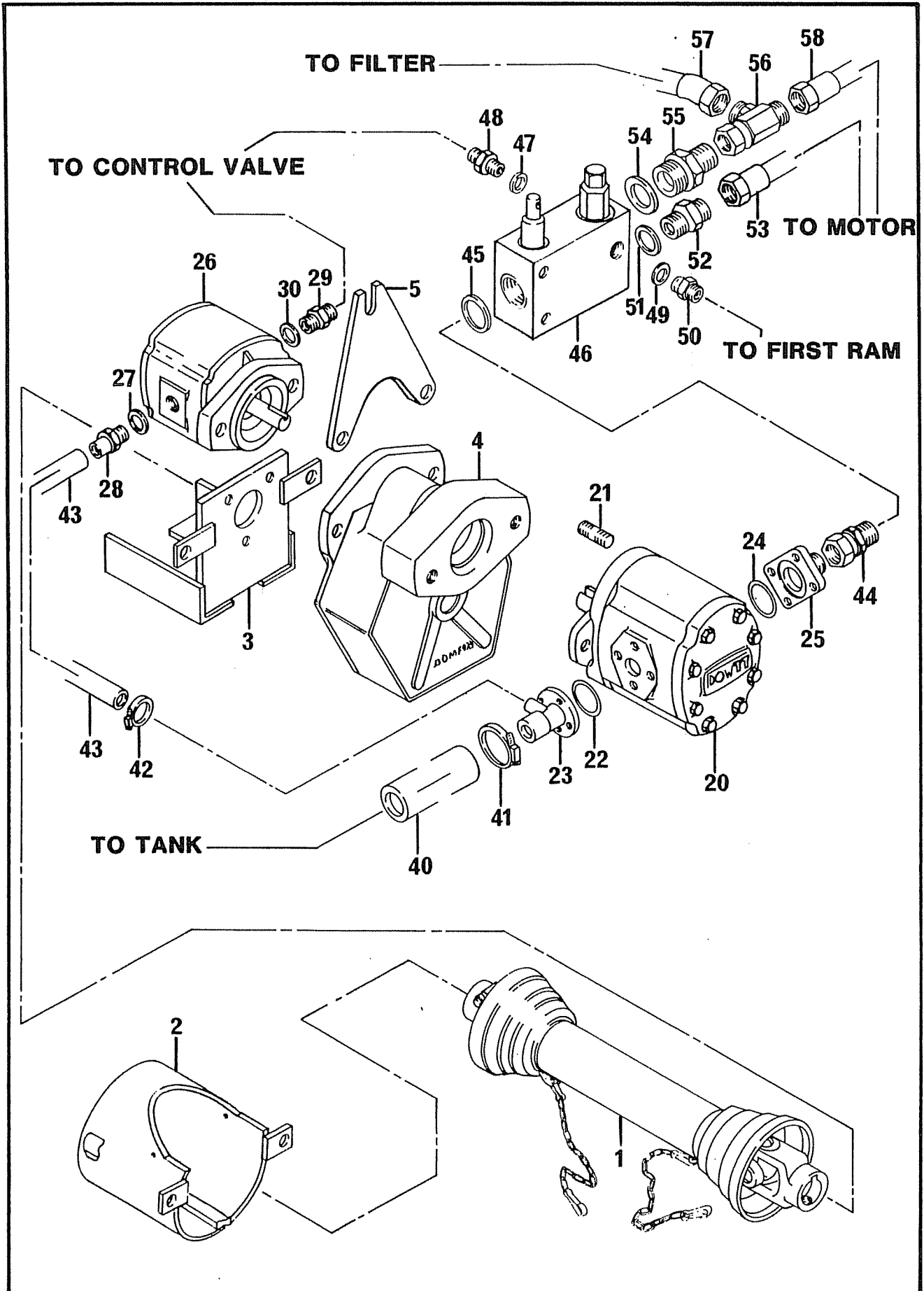


**GEARBOX/PTO ASSEMBLY, PUMP ASSEMBLY AND PUMP CIRCUIT
(TWIN PUMP)**

| REF | PART NO | DESCRIPTION | QTY | SERIAL NO FROM - TO |
|-----------|-----------|--------------------------------------|-----|------------------------|
| 71.249.01 | | <u>GEARBOX/PTO</u> | | |
| *01 | 04.043.20 | PTO SHAFT ASSY 610MM CRS | 1 | |
| 01 | 04.043.02 | JOURNAL BEARING KIT | - | |
| 01 | 04.043.03 | PTO SHAFT GUARD ASSY | - | |
| 02 | 05.264.02 | SETSCREW M8 X 25MM PLATED | 2 | |
| 02 | 05.282.01 | SPRING WASHER 8MM PLATED | 2 | |
| 02 | 05.286.01 | NUT M8 PLATED | 2 | |
| *02 | 06.170.01 | GUARD - PTO | 1 | |
| *03 | 04.049.02 | BRACKET - GEARBOX | 1 | |
| 03 | 05.264.23 | SETSCREW M12 X 30MM PLATED | 3 | |
| 03 | 05.264.24 | SETSCREW M12 X 35MM PLATED | 2 | |
| 03 | 05.282.03 | SPRING WASHER 12MM PLATED | 5 | |
| 03 | 05.286.03 | NUT M12 PLATED | 2 | |
| *04 | 03.840.37 | GEARBOX ASSEMBLY | 1 | |
| 04 | 03.840.02 | SEAL KIT (03840 GEARBOXES) | - | |
| 05 | 05.264.24 | SETSCREW M12 X 35MM PLATED | 1 | |
| 05 | 05.281.03 | FLAT WASHER 12MM PLATED | 1 | |
| 05 | 05.282.02 | SPRING WASHER 10MM PLATED | 2 | |
| 05 | 05.286.02 | NUT M10 PLATED | 2 | |
| 05 | 05.287.03 | SELF - LOCKING NUT M12 PLATED | 1 | |
| 05 | 05.291.15 | BOLT M10 X 50MM PLATED | 2 | |
| *05 | 06.157.01 | STAY - GEARBOX (LH MACHINES ONLY) | 1 | |
| 05 | 06.157.02 | STAY - GEARBOX (RH MACHINES ONLY) | 1 | |
| 71.405.02 | | <u>PUMPS ASSEMBLY</u> | | |
| 20 | 01.071.13 | KEY - SEP 1/4" X 1/4" X 1" | - | |
| 20 | 05.642.02 | SEAL KIT (05 650 PUMPS) | - | |
| *20 | 05.650.02 | PUMP ASSY (207 BAR) | 1 | |
| *21 | 03.100.01 | STUD M10 X 34MM | 2 | |
| 21 | 05.282.02 | SPRING WASHER 10MM PLATED | 2 | |
| 21 | 05.286.02 | NUT M10 PLATED | 2 | |
| *22 | 05.656.01 | "O" RING 28 I/D X 2.5 | 1 | |
| 23 | 05.657.01 | SCKT CAPSCRW 5/16" UNC X 7/8" PLT | 4 | |
| *23 | 06.251.01 | ADAPTOR - INLET PLATED | 1 | |
| *24 | 05.656.03 | "O" RING 25 I/D X 3.53 | 1 | |
| *25 | 03.864.01 | ADAPTOR - FLANGED 3/4" BSP PLATED | 1 | |
| 25 | 05.657.01 | SCKT CAPSCRW 5/16" UNC X 7/8" PLATED | 4 | |
| 26 | 04.002.02 | SEAL KIT (FOR 04002 PUMPS) | - | |
| *26 | 04.002.17 | PUMP ASSEMBLY | 1 | |
| *27 | 05.290.05 | BONDED SEAL 1/2" BSP | 1 | |
| *28 | 04.244.01 | ADAPTOR 1/2" BSP X 3/4" O/D | 1 | |
| *29 | 05.123.01 | ADAPTOR 1/2" BSP X 3/8" BSP | 1 | |
| *30 | 05.290.05 | BONDED SEAL 1/2" BSP | 1 | |

* MAIN PART IN GROUP, RELATED PARTS HAVE SAME REFERENCE NUMBER

GEARBOX/PTO ASSEMBLY, PUMP ASSEMBLY AND PUMP CIRCUIT (TWIN PUMP)

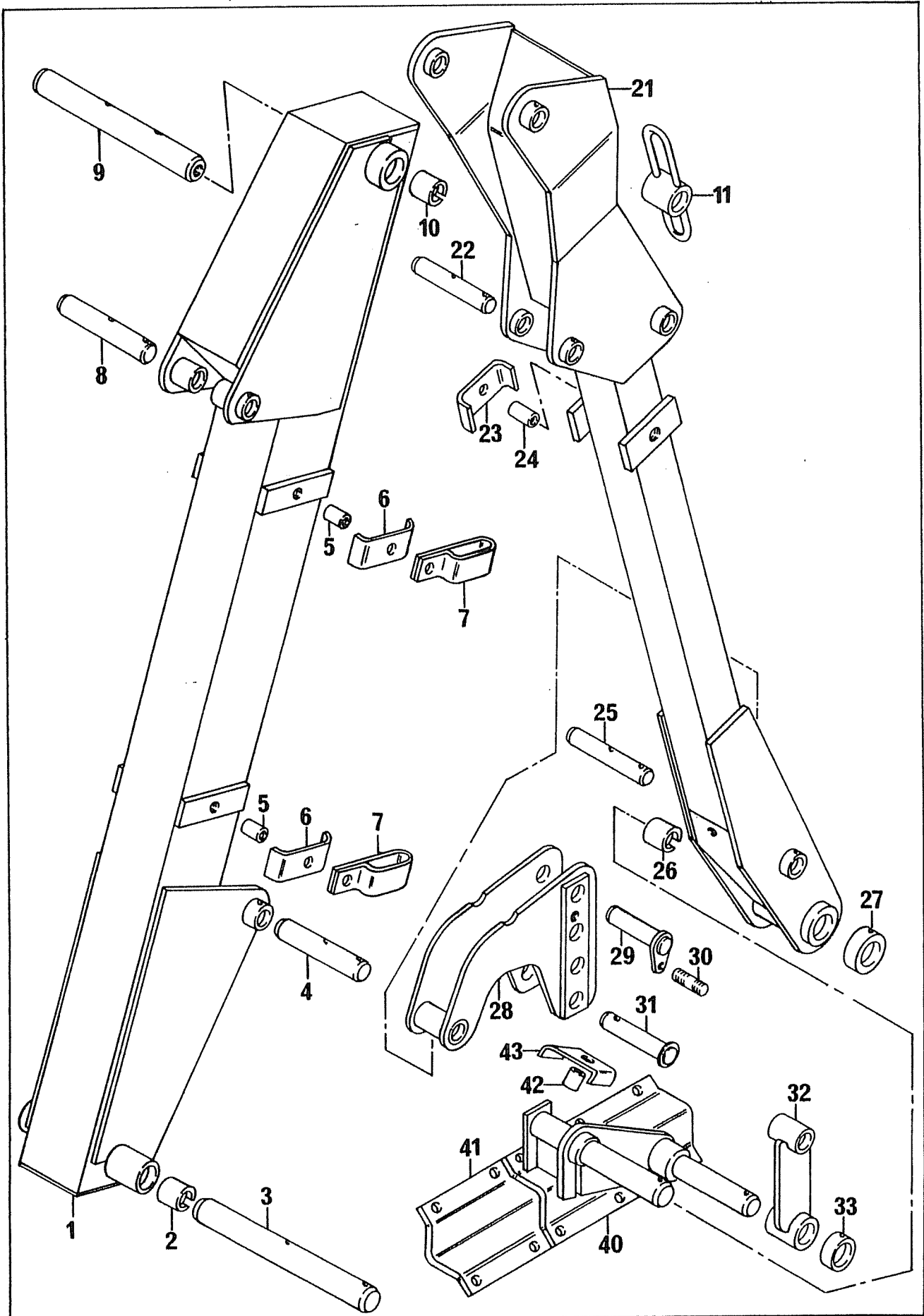


**GEARBOX/PTO ASSEMBLY, PUMP ASSEMBLY AND PUMP CIRCUIT
(TWIN PUMP)**

| REF | PART NO | DESCRIPTION | QTY | SERIAL NO FROM - TO |
|-----------|-----------|-----------------------------------|-----|------------------------|
| 71.912.01 | | <u>PUMP CIRCUIT (TWIN PUMP)</u> | | |
| *40 | 06.288.01 | HOSE 1.1/2" BORE X 120MM | 1 | |
| *41 | 05.863.02 | JUBILEE CLIP 2" DIA | 2 | |
| *42 | 05.863.03 | JUBILEE CLIP 25MM DIA | 2 | |
| *43 | 05.983.09 | HOSE 3/4" BORE X 650MM | 1 | |
| *44 | 03.858.01 | ADAPTOR - SWIVEL ST 3/4" BSP M/F | 1 | |
| *45 | 05.290.06 | BONDED SEAL 3/4" BSP | 1 | |
| 46 | 05.625.11 | SKT CAPSCRW 1/4" UNC X 5/8 PLATED | 2 | |
| 46 | 06.284.02 | SEAL KIT FOR (06.284.01) VALVE | - | |
| *46 | 06.284.11 | RELIEF VALVE/DIVERter ASSY | 1 | |
| 46 | 06.299.05 | RELIEF VALVE CARTRIDGE 152 BAR | - | |
| *47 | 05.290.04 | BONDED SEAL 3/8" BSP | 1 | |
| *48 | 05.124.01 | ADAPTOR 3/8" BSP X 3/8" BSP | 1 | |
| *49 | 05.290.04 | BONDED SEAL 3/8" BSP | 1 | |
| *50 | 01.099.01 | ADAPTOR 3/8" BSP X 1/4" BSP | 1 | |
| *51 | 05.290.06 | BONDED SEAL 3/4" BSP | 1 | |
| *52 | 05.377.01 | ADAPTOR 3/4" BSP X 3/4" BSP | 1 | |
| *53 | 05.995.99 | HOSE 3/4" BSP X 5300MM ST X ST | 1 | |
| *54 | 05.290.07 | BONDED SEAL 1" BSP | 1 | |
| *55 | 05.373.01 | ADAPTOR 3/4" BSP X 1" BSP | 1 | |
| *56 | 04.056.01 | ADAPTOR - SWIVEL TEE 3/4" BSP FMM | 1 | |
| *57 | 05.994.94 | HOSE 3/4" BSP X 1125MM 135° X ST | 1 | |
| *58 | 05.995.99 | HOSE 3/4" BSP X 5300MM ST X ST | 1 | |

* MAIN PART IN GROUP, RELATED PARTS HAVE SAME REFERENCE NUMBER

FIRST ARM, SECOND ARM AND COWL BRACKET

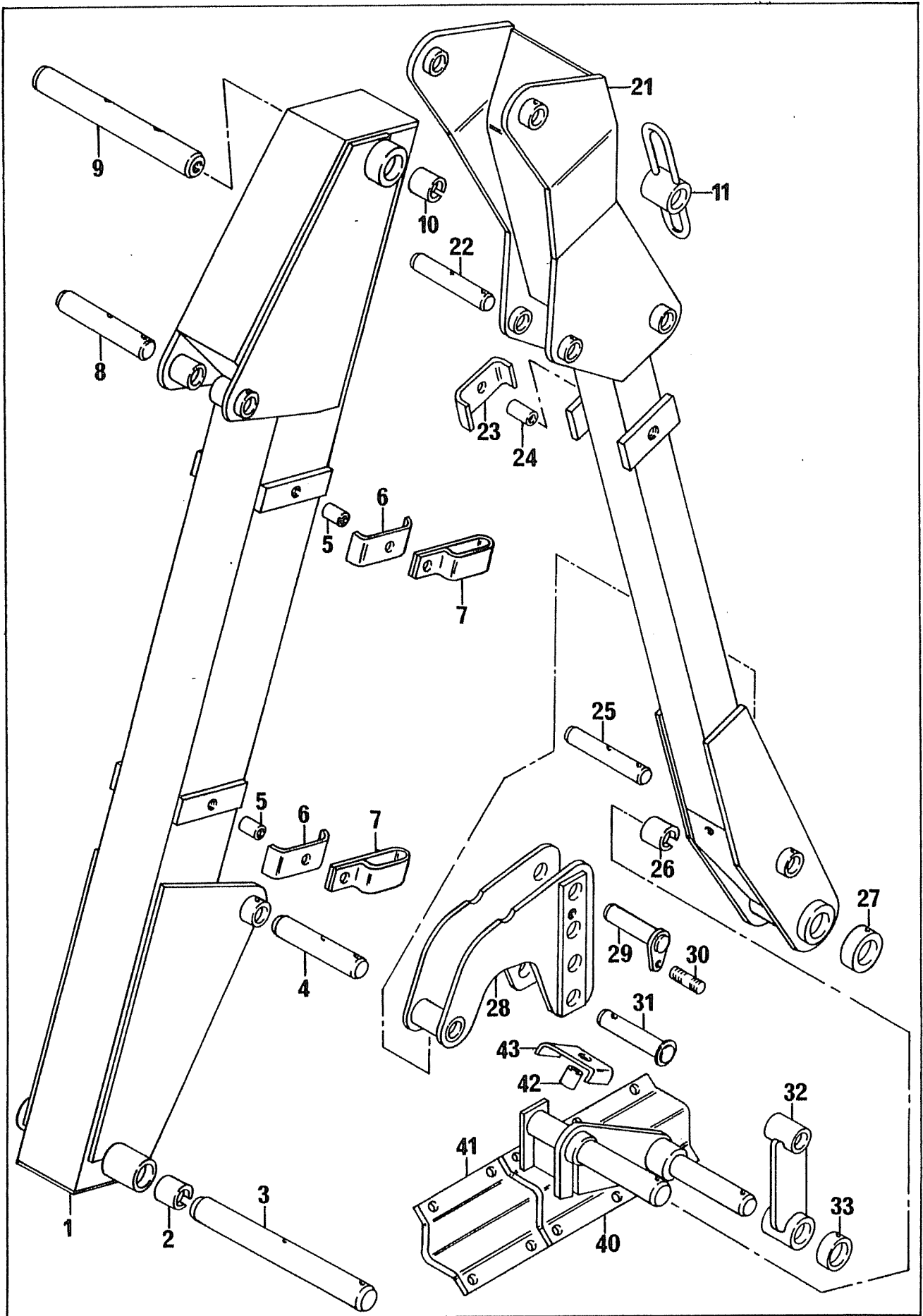


FIRST ARM, SECOND ARM AND COWL BRACKET

| REF | PART NO | DESCRIPTION | QTY | SERIAL NO FROM - TO |
|-----------|-----------|-----------------------------------|-----|------------------------|
| 71.241.01 | | <u>FIRST ARM</u> | | |
| *01 | 04.165.01 | FIRST ARM | 1 | |
| *02 | 02.771.03 | TENSION BUSH 45 X 40 X 50 | 2 | |
| *03 | 03.656.04 | PIN 40 DIA X 280 | 1 | |
| 03 | 03.786.02 | INSTRUCTION PLATE - GREASE M10 | 1 | |
| 03 | 05.201.10 | TENSION PIN 10MM X 60MM | 1 | |
| 03 | 05.953.03 | GREASE NIPPLE M10 | 1 | |
| *04 | 03.653.01 | PIN 25 DIA X 140 | 1 | |
| 04 | 03.786.01 | INSTRUCTION PLATE - GREASE M6 | 1 | |
| 04 | 05.201.11 | TENSION PIN 5MM X 45MM | 1 | |
| 04 | 05.953.01 | GREASE NIPPLE M6 | 1 | |
| *05 | 03.839.01 | SPACER 3/4" O/D X 1/2" I/D X 27MM | 2 | |
| *06 | 03.838.01 | HOSE CLAMP | 2 | |
| *07 | 04.168.01 | HOSE CLIP | 2 | |
| 07 | 04.282.13 | STUD M12 X 65MM | 2 | |
| 07 | 05.281.03 | FLAT WASHER 12MM PLATED | 2 | |
| 07 | 05.282.03 | SPRING WASHER 12MM PLATED | 2 | |
| 07 | 05.286.03 | NUT M12 PLATED | 2 | |
| *08 | 03.654.03 | PIN 30 DIA X 140 | 1 | |
| 08 | 03.786.01 | INSTRUCTION PLATE - GREASE M6 | 1 | |
| 08 | 05.201.11 | TENSION PIN 5MM X 45MM | 1 | |
| 08 | 05.953.01 | GREASE NIPPLE M6 | 1 | |
| *09 | 03.656.05 | PIN 40 DIA X 290 | 1 | |
| 09 | 03.786.02 | INSTRUCTION PLATE - GREASE M10 | 1 | |
| 09 | 05.201.10 | TENSION PIN 10MM X 60MM | 1 | |
| 09 | 05.953.03 | GREASE NIPPLE M10 | 1 | |
| *10 | 02.771.03 | TENSION BUSH 45 X 40 X 50 | 2 | |
| 11 | 02.824.01 | WASHER 50 O/D X 13 I/D X 5MM | 1 | |
| *11 | 03.863.02 | HOSE GUIDE | 1 | |
| 11 | 05.264.22 | SETSCREW M12 X 25MM PLATED | 1 | |
| 11 | 05.282.03 | SPRING WASHER 12MM PLATED | 1 | |
| 71.242.01 | | <u>SECOND ARM</u> | | |
| *21 | 04.166.01 | SECOND ARM | 1 | |
| *22 | 03.653.02 | PIN 25 DIA X 117 | 2 | |
| 22 | 03.786.01 | INSTRUCTION PLATE - GREASE M6 | 2 | |
| 22 | 05.201.11 | TENSION PIN 5MM X 45MM | 2 | |
| 22 | 05.953.01 | GREASE NIPPLE M6 | 2 | |
| *23 | 03.838.01 | HOSE CLAMP | 1 | |
| *24 | 03.839.01 | SPACER 3/4" O/D X 1/2" I/D X 27MM | 1 | |
| 24 | 04.282.13 | STUD M12 X 65MM | 1 | |
| 24 | 05.281.03 | FLAT WASHER 12MM PLATED | 1 | |
| 24 | 05.282.03 | SPRING WASHER 12MM PLATED | 1 | |
| *25 | 03.653.02 | PIN 25 DIA X 117 | 1 | |
| 25 | 03.786.01 | INSTRUCTION PLATE - GREASE M6 | 1 | |
| 25 | 05.201.11 | TENSION PIN 5MM X 45MM | 1 | |
| 25 | 05.953.01 | GREASE NIPPLE M6 | 1 | |
| *26 | 02.771.03 | TENSION BUSH 45 X 40 X 50 | 2 | |
| 26 | 05.953.03 | GREASE NIPPLE M10 | 1 | |

* MAIN PART IN GROUP, RELATED PARTS HAVE SAME REFERENCE NUMBER

FIRST ARM, SECOND ARM AND COWL BRACKET

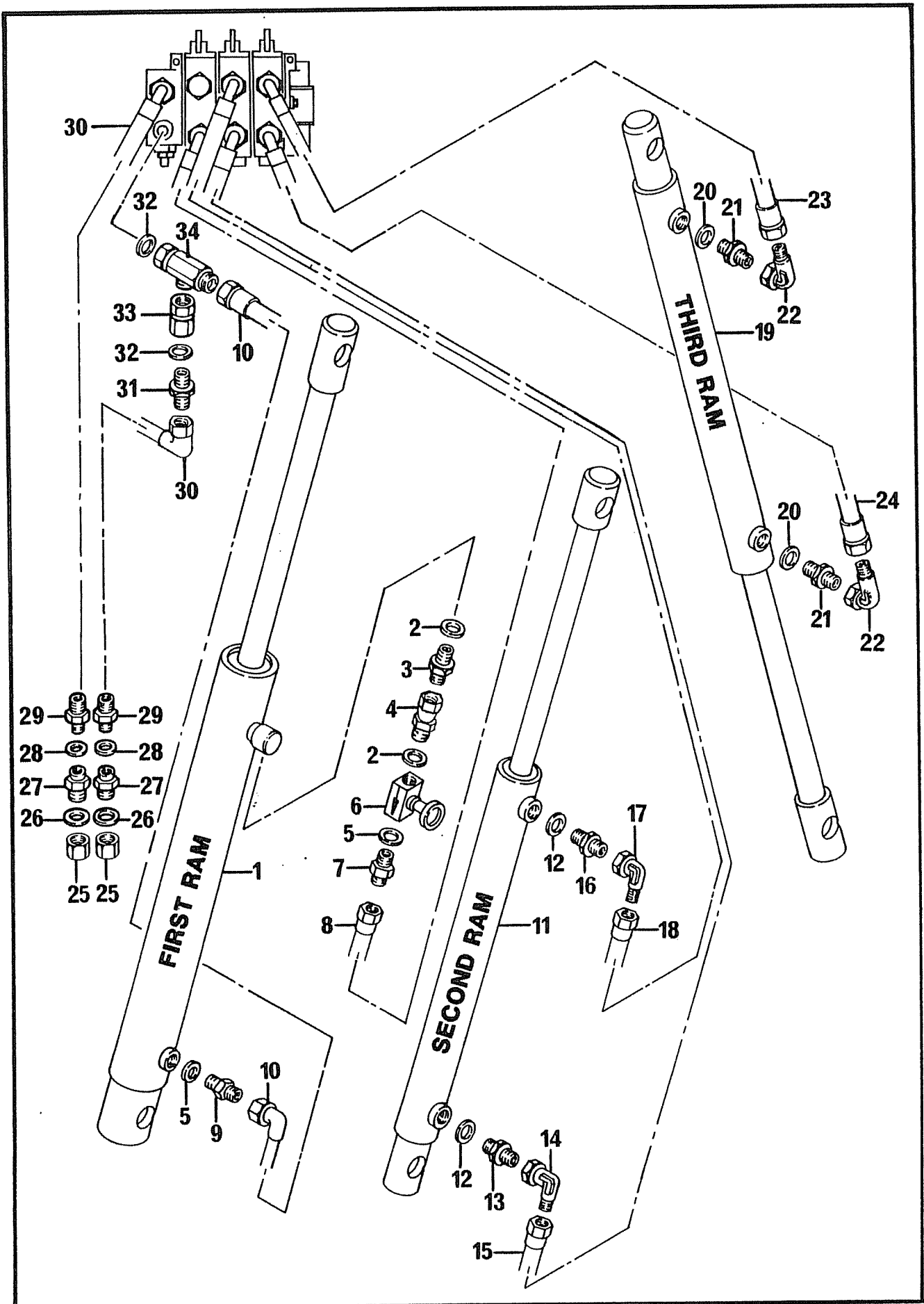


FIRST ARM, SECOND ARM AND COWL BRACKET

| REF | PART NO | DESCRIPTION | QTY | SERIAL NO FROM - TO |
|----------------------|-----------|------------------------------------|-----|------------------------|
| 71.242.01 | | <u>SECOND ARM</u> | | |
| *27 | 03.837.01 | SPACER 50 X 40 X 20 (DRILLED) | 1 | |
| 27 | 05.201.10 | TENSION PIN 10MM X 60MM | 1 | |
| *28 | 03.931.01 | LINK - RAM | 1 | |
| *29 | 03.653.04 | PIN 25 DIA X 83 | 1 | |
| 29 | 03.786.01 | INSTRUCTION PLATE - GREASE M6 | 1 | |
| 29 | 05.953.01 | GREASE NIPPLE M6 | 1 | |
| *30 | 04.175.01 | STUD M10 X 35MM | 1 | |
| 30 | 05.281.02 | FLAT WASHER 10MM PLATED | 1 | |
| 30 | 05.968.02 | SELF LOCKING NUT M10 (FINE) | 1 | |
| 31 | 00.372.01 | LINCH PIN | 1 | |
| *31 | 03.653.03 | PIN 25 DIA X 106 | 1 | |
| *32 | 03.846.01 | LINK COWL | 1 | |
| 32 | 05.953.01 | GREASE NIPPLE M6 | 1 | |
| *33 | 03.932.01 | SPACER 45 O/D X 35 I/D X 16MM DRLD | 1 | |
| 33 | 05.201.11 | TENSION PIN 5MM X 45MM | 1 | |
| 71.213.01, 71.214.01 | | <u>COWL BRACKET</u> | | |
| *40+ | 03.835.01 | COWL BRKT. R.H. (ILLUSTRATED) | - | |
| *40 | 03.835.02 | COWL BRKT. L.H. (NOT ILLUSTRATED) | 1 | |
| *41 | 03.836.01 | CLAMP - COWL BRKT | 1 | |
| 41 | 05.264.24 | SETSCREW M12 X 35MM PLATED | 6 | |
| 41 | 05.282.03 | SPRING WASHER 12MM PLATED | 6 | |
| 41 | 05.286.03 | NUT M12 PLATED | 6 | |
| *42 | 03.839.01 | SPACER 3/4" O/D X 1/2" I/D X 27MM | 1 | |
| 42 | 04.282.13 | STUD M12 X 65MM | 1 | |
| 42 | 05.281.03 | FLAT WASHER 12MM PLATED | 1 | |
| 42 | 05.282.03 | SPRING WASHER 12MM PLATED | 1 | |
| 42 | 05.286.03 | NUT M12 PLATED | 1 | |
| *43 | 03.838.01 | HOSE CLAMP | 1 | |

+ RIGHT HAND MACHINES ONLY

* MAIN PART IN GROUP, RELATED PARTS HAVE SAME REFERENCE NUMBER

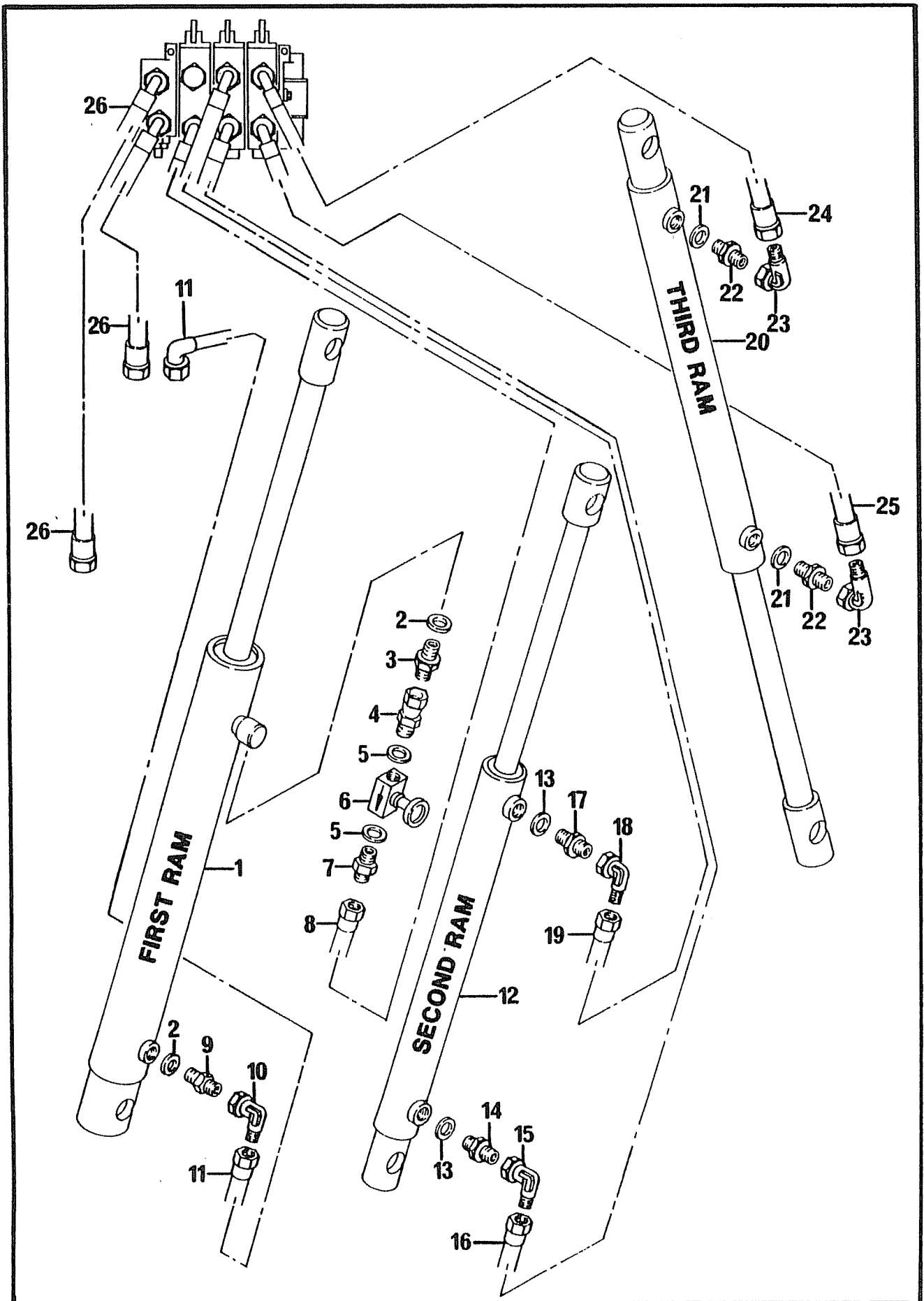


RAMS/HOSES (SINGLE PUMP)

71.243.01

| REF | PART NO | DESCRIPTION | QTY | SERIAL NO FROM - TO |
|-----|-----------|------------------------------------|-----|------------------------|
| *01 | 04.271.10 | RAM ASSY - D/A 70MM BORE X 670MM | 1 | |
| 01 | 04.271.02 | SEAL KIT (04271 RET. RAMS) | - | |
| 01 | 05.201.11 | TENSION PIN 5MM X 45MM | 1 | |
| *02 | 05.290.04 | BONDED SEAL 3/8" BSP | 2 | |
| *03 | 05.124.01 | ADAPTOR 3/8" BSP X 3/8" BSP | 1 | |
| *04 | 02.714.01 | ADAPTOR - SWIVEL ST 3/8" BSP M/F | 1 | |
| *05 | 05.290.04 | BONDED SEAL 3/8" BSP | 2 | |
| *06 | 05.176.01 | ISOLATOR VALVE ASSY 3/8" BSP | 1 | |
| *07 | 05.124.01 | ADAPTOR 3/8" BSP X 3/8" BSP | 1 | |
| *08 | 05.991.23 | HOSE 3/8" BSP X 1300MM | 1 | |
| *09 | 03.028.08 | RESTRICTOR 3/8" BSP X 1/4" BSP | 1 | |
| *10 | 05.990.15 | HOSE 1/4" BSP X 750MM | 1 | |
| *11 | 04.156.12 | RAM ASSY - D/A 60MM BORE X 645MM | 1 | |
| 11 | 04.156.13 | SEAL KIT (04156 D/A RAMS) | - | |
| 11 | 05.201.11 | TENSION PIN 5MM X 45MM | 1 | |
| *12 | 05.290.04 | BONDED SEAL 3/8" BSP | 2 | |
| *13 | 03.028.08 | RESTRICTOR 3/8" BSP X 1/4" BSP | 1 | |
| *14 | 05.835.04 | ADAPTOR - SWIVEL 90° 1/4" BSP | 1 | |
| *15 | 05.990.25 | HOSE 1/4" BSP X 1500MM | 1 | |
| *16 | 01.099.01 | ADAPTOR 3/8" BSP X 1/4" BSP | 1 | |
| *17 | 05.835.04 | ADAPTOR - SWIVEL 90° X 1/4" BSP | 1 | |
| *18 | 05.990.32 | HOSE 1/4" BSP X 2200MM | 1 | |
| *19 | 03.842.15 | RAM ASSY - D/A 50 BORE X 430MM | 1 | |
| 19 | 03.842.16 | SEAL KIT (03842 D/A RAMS) | - | |
| 19 | 05.201.11 | TENSION PIN 5MM X 45MM | 1 | |
| *20 | 05.290.04 | BONDED SEAL 3/8" BSP | 2 | |
| *21 | 03.028.08 | RESTRICTOR 3/8" BSP X 1/4" BSP | 2 | |
| 21 | 05.201.11 | TENSION PIN 5MM X 45MM | 1 | |
| *22 | 05.835.04 | ADAPTOR - SWIVEL 90° 1/4" BSP | 2 | |
| *23 | 05.990.43 | HOSE 1/4" BSP X 3300MM | 1 | |
| *24 | 05.990.48 | HOSE 1/4" BSP X 3800MM | 1 | |
| *25 | 05.300.03 | PLUG - PLASTIC 1/2" BSP FEMALE | 2 | |
| *26 | 05.290.05 | BONDED SEAL 1/2" BSP | 2 | |
| *27 | 05.225.02 | ADAPTOR - RDCG 1/2" BSP X 3/8" BSP | 2 | |
| *28 | 05.290.04 | BONDED SEAL 3/8" BSP | 2 | |
| *29 | 05.124.01 | ADAPTOR 3/8" BSP X 3/8" BSP | 2 | |
| *30 | 05.991.30 | HOSE 3/8" BSP X 2000MM | 2 | |
| *31 | 05.124.01 | ADAPTOR 3/8" BSP X 3/8" BSP | 1 | |
| *32 | 05.290.04 | BONDED SEAL 3/8" BSP | 2 | |
| *33 | 06.282.01 | VALVE ASSEMBLY - NON RETURN | 1 | |
| *34 | 04.056.04 | TEE ADAPTOR 3/8" X 1/4" X 3/8" | 1 | |

* MAIN PART IN GROUP, RELATED PARTS HAVE SAME REFERENCE NUMBER



RAMS/HOSES (TWIN PUMP)

71.252.02

| REF | PART NO | DESCRIPTION | QTY | SERIAL NO FROM - TO |
|-----|-----------|----------------------------------|-----|------------------------|
| *01 | 04.271.10 | RAM ASSY - D/A 70MM BORE X 670MM | 1 | |
| 01 | 04.271.02 | SEAL KIT (04271 RET. RAMS) | - | |
| 01 | 05.201.11 | TENSION PIN 5MM X 45MM | 1 | |
| *02 | 05.290.04 | BONDED SEAL 3/8" BSP | 2 | |
| *03 | 05.124.01 | ADAPTOR 3/8" BSP X 3/8" BSP | 1 | |
| *04 | 02.714.01 | ADAPTOR - SWIVEL ST 3/8" BSP M/F | 1 | |
| *05 | 05.290.04 | BONDED SEAL 3/8" BSP | 2 | |
| *06 | 05.176.01 | ISOLATOR VALVE ASSY 3/8" BSP | 1 | |
| *07 | 05.124.01 | ADAPTOR 3/8" BSP X 3/8" BSP | 1 | |
| *08 | 05.991.23 | HOSE 3/8" BSP X 1300MM | 1 | |
| *09 | 03.028.08 | RESTRICTOR 3/8" BSP X 1/4" BSP | 1 | |
| *10 | 05.835.04 | ADAPTOR - SWIVEL 90° 1/4" BSP | 1 | |
| *11 | 05.990.15 | HOSE 1/4" BSP X 750MM | 1 | |
| *12 | 04.156.12 | RAM ASSY - D/A 60MM BORE X 645MM | 1 | |
| 12 | 04.156.13 | SEAL KIT (04156 D/A RAMS) | - | |
| 12 | 05.201.11 | TENSION PIN 5MM X 45MM | 1 | |
| *13 | 05.290.04 | BONDED SEAL 3/8" BSP | 2 | |
| *14 | 03.028.08 | RESTRICTOR 3/8" BSP X 1/4" BSP | 1 | |
| *15 | 05.835.04 | ADAPTOR - SWIVEL 90° 1/4" BSP | 1 | |
| *16 | 05.990.25 | HOSE 1/4" BSP X 1500MM | 1 | |
| *17 | 01.099.01 | ADAPTOR 3/8" BSP X 1/4" BSP | 1 | |
| *18 | 05.835.04 | ADAPTOR - SWIVEL 90° 1/4" BSP | 1 | |
| *19 | 05.990.32 | HOSE 1/4" BSP X 2200MM | 1 | |
| *20 | 03.842.15 | RAM ASSY - D/A 50 BORE X 430MM | 1 | |
| 20 | 03.842.16 | SEAL KIT (03842 D/A RAMS) | - | |
| 20 | 05.201.11 | TENSION PIN 5MM X 45MM | 1 | |
| *21 | 05.290.04 | BONDED SEAL 3/8" BSP | 2 | |
| *22 | 03.028.08 | RESTRICTOR 3/8" BSP X 1/4" BSP | 2 | |
| 22 | 05.201.11 | TENSION PIN 5MM X 45MM | 1 | |
| *23 | 05.835.04 | ADAPTOR - SWIVEL 90° 1/4" BSP | 2 | |
| *24 | 05.990.43 | HOSE 1/4" BSP X 3300MM | 1 | |
| *25 | 05.990.48 | HOSE 1/4" BSP X 3800MM | 1 | |
| *26 | 05.991.16 | HOSE 3/8" BSP X 800MM | 1 | |
| *26 | 05.991.16 | HOSE 3/8" BSP X 800MM | 1 | |

* MAIN PART IN GROUP, RELATED PARTS HAVE SAME REFERENCE NUMBER

BOMFORD

B457

APPROVED OILS FOR USE IN BOMFORD HYDRAULIC MACHINES

The following oils are approved for use in any Bomford Hydraulic machine. Any variation from this list will invalidate warranty on the hydraulic equipment.

| | | |
|-------------|--|---|
| Castrol | Hyspin AWII 46 (not AWS 46) | H |
| | Hyspin AWII 68 (not AWS 68) | H |
| | Agricontrol Hydraulic Oil | H |
| | Agricontrol Multi-Use 10W/30 (Export only/wet 20/30) | E |
| Antar | Agria PM 10W/30 | E |
| BP | Energy 2HF 32 (ISO) | H |
| | Energy 2HF 46 (ISO) | H |
| | Energy HLF 32 (ISO) | H |
| Comma Oil | Comma LJC 10 Hydraulic Oil | H |
| Duckhams | Farm Hydraulic Oil No. 4 | H |
| | Piercol MultiSite 10W/30 | H |
| Eco | Untris 246 | H |
| Filtrow | Hydraulic Oil 10W/30 | H |
| Gulf | Gulfube Motor Oil XHD 10W/30 | E |
| | Gulf Harmony 32AW | H |
| | Mato G 10W/30 | E |
| | Hydraulic Oil E | E |
| JD Buchanan | Alpha 'C' 10W/30 | E |
| | Hydro 66 | H |
| Lorco | FVT 46 Fourfold Treated Hydraulic Oil | H |
| Mobil | DTE 15 | H |
| Petrolina | Pine Delta Multigrade 10W/30 | E |
| | Pine Hydram 37 | H |
| Shell | Tellus 146 | H |
| | Tellus T37 | H |
| Texaco | Hyvoline Motor Oil SAE10 | E |

H=Anti-Wear hydraulic oil
E=APISE engine oil

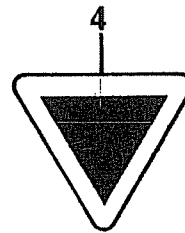
For UK operations it is strongly recommended that oils should be used meeting classification H

Any Lithium based grease can be used for lubricating grease nipples

LIFT FROM POINTS MARKED WITH



SUITABLE FOR PRE-ASSEMBLY TRANSIT ONLY



IMPORTANT SAFETY INSTRUCTION
THIS GUARD MUST BE FITTED BEFORE OPERATING MACHINE
SEE INSTRUCTION BOOK

IMPORTANT
ENSURE THAT ALL NUTS ARE KEPT FULLY TIGHTENED

BOMFORD IMPORTANT

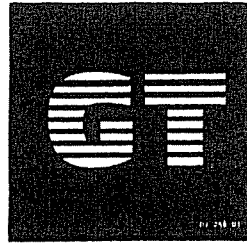
NEW MACHINE. Check that the tank is filled to the correct level with one of the grades of oil recommended in the instruction book. Bleed the pump by loosening the outlet hose, turning P.T.O. shaft by hand if necessary.

BEFORE STARTING. Check: 1) Oil level correct
2) Knives secure
3) Guards in position

COLD START. Do not work whilst the oil is cold. After starting run the machine at 360r.p.m. on the P.T.O. for 5-10 minutes to warm up. Any abnormal noise must be investigated immediately. Consult the instruction book if in doubt.

OPERATION. Always engage and disengage the drive with the engine at idling speed. Make engine speed changes slowly and progressively, particularly when slowing down. Before approaching the cutting head disengage the drive and stop the tractor engine.

CRANE LIFTING CAPACITY
DRY WEIGHT OF THIS UNIT DOES NOT EXCEED
500 Kg. (1100 lbs)
FOR OPERATIONAL WEIGHT ADD ATTACHMENTS, OIL, ETC.
If in doubt contact Bomford & Evershed Ltd.

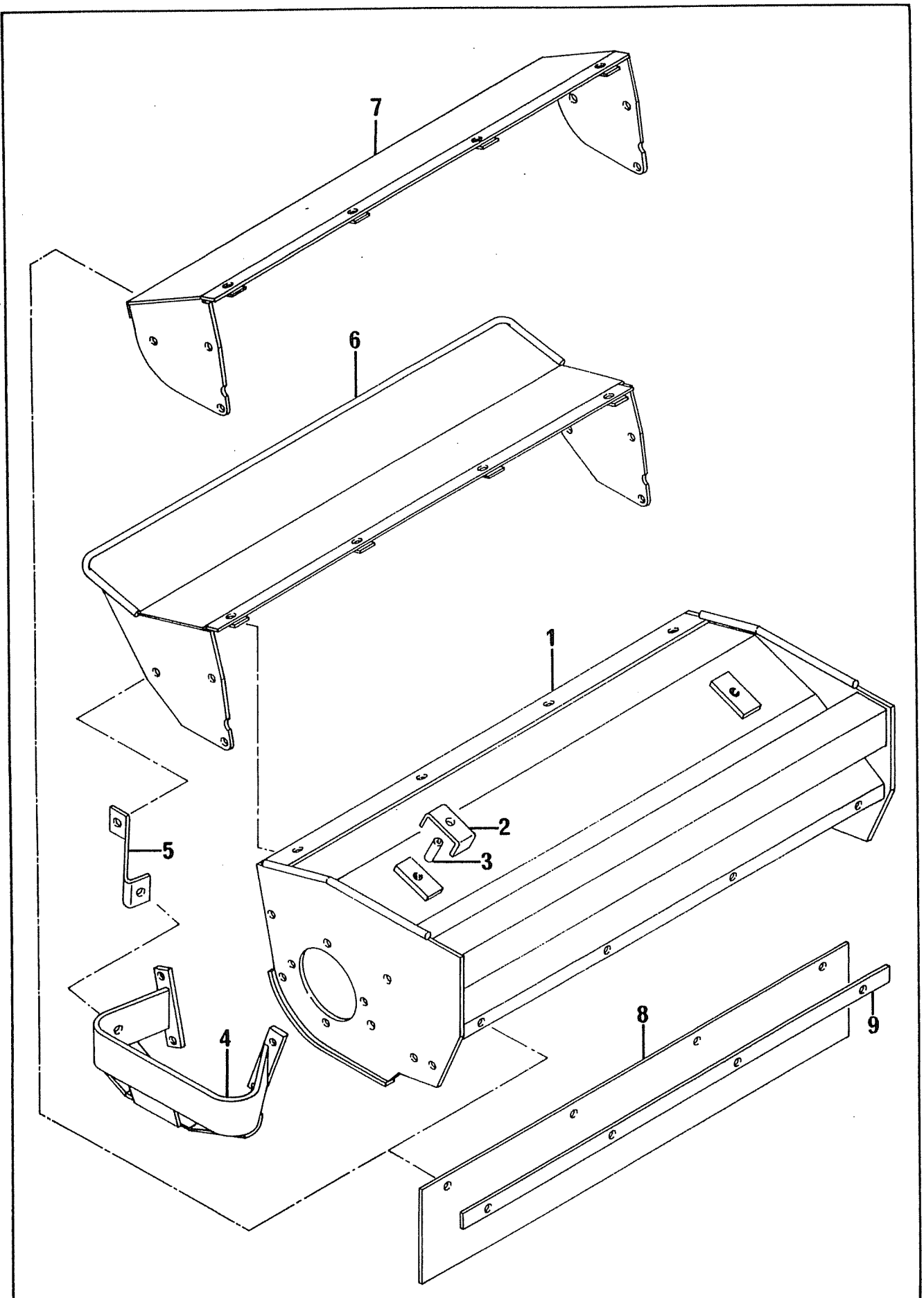


DECALS

71.245.03

| REF | PART NO | DESCRIPTION | QTY | SERIAL NO FROM - TO |
|-----|-----------|---------------------------------|-----|------------------------|
| *01 | 07.522.01 | DECAL - BOMFORD B457 (LH) | 1 | |
| 01 | 07.522.02 | DECAL - BOMFORD B457 (RH) | 1 | |
| 01 | 07.522.05 | DECAL - BOMFORD B435 (LH) | 1 | |
| 01 | 07.522.06 | DECAL - BOMFORD B435 (RH) | 1 | |
| *02 | 02.783.03 | DECAL - APPROVED OILS | 1 | |
| *03 | 02.948.01 | DECAL - LIFTING POINT INST | 1 | |
| *04 | 02.950.01 | DECAL - LIFTING POINT | 1 | |
| *05 | 03.785.01 | DECAL - GREASE | 5 | |
| *06 | 04.404.01 | DECAL - IMPORTANT FIT GUARDS | 1 | |
| *07 | 05.349.01 | DECAL - IMPORTANT (NUTS TIGHT) | 1 | |
| *08 | 05.390.01 | DECAL - HYD. DRIVE (COLD START) | 1 | |
| *09 | 06.007.03 | DECAL - WEIGHT 500KG | 1 | |
| *10 | 07.256.02 | DECAL - GT | 1 | |

* MAIN PART IN GROUP, RELATED PARTS HAVE SAME REFERENCE NUMBER

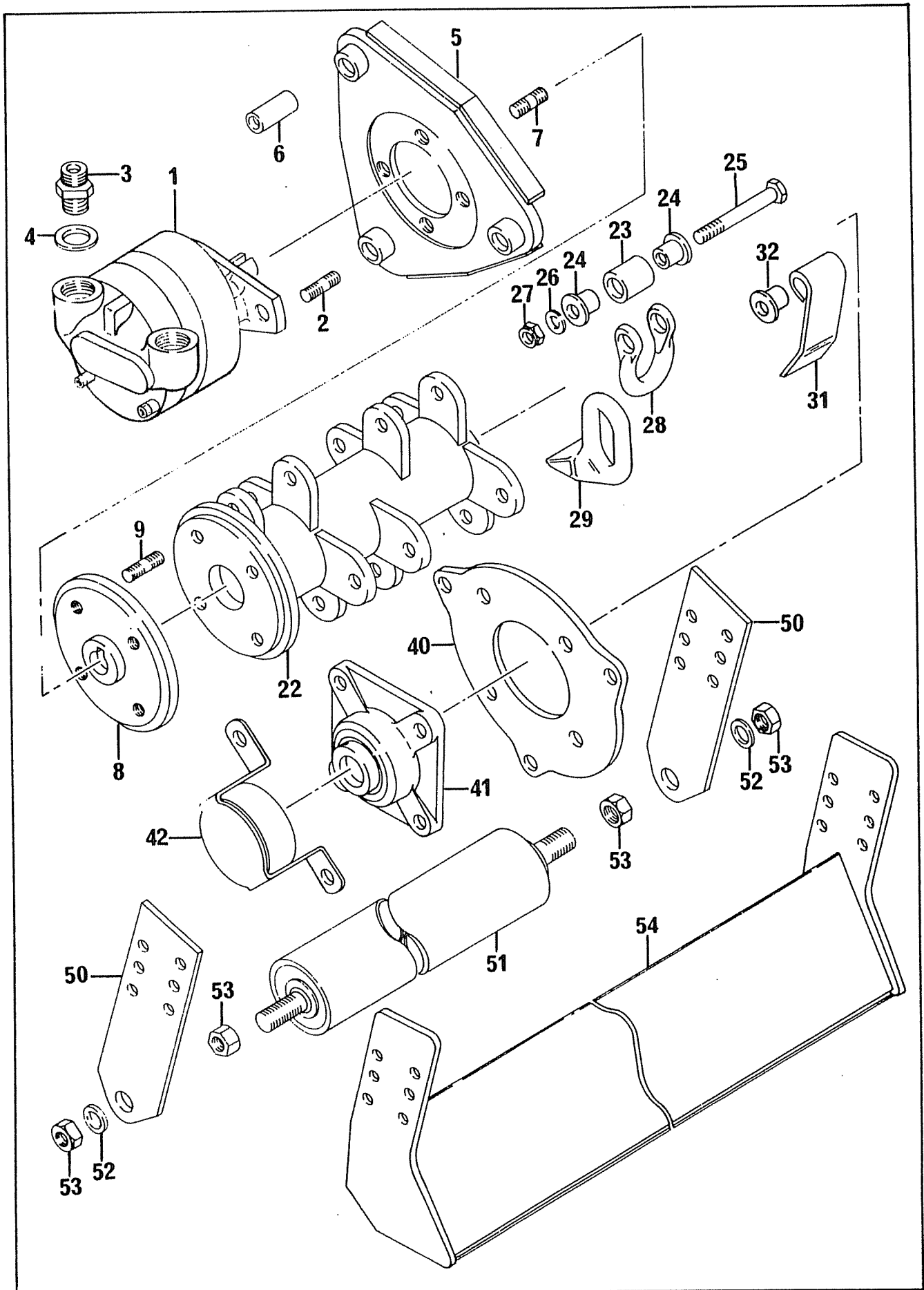


71.557.01, 71.558.01

| REF | PART NO. | DESCRIPTION | QTY | SERIAL NO. FROM - TO |
|-----|-----------|---------------------------------|-----|-------------------------|
| *01 | 04.283.01 | COWL 950MM | 1 | |
| 01 | 05.227.01 | HAMMER DRIVE SCREW NO.6 X 3/8" | 2 | |
| 01 | 05.774.01 | SERIAL NUMBER PLATE | 1 | |
| *02 | 03.838.01 | HOSE CLAMP | 1 | |
| 02 | 05.282.03 | SPRING WASHER 12MM PLATED | 1 | |
| 02 | 05.291.24 | BOLT M12 X 45MM PLATED | 1 | |
| *03 | 03.839.01 | SPACER 3/4"O/D X 1/2" I/D X27MM | 1 | |
| *04 | 04.285.02 | GUARD-MOTOR | 1 | |
| 04 | 05.264.13 | SETSCREW M10 X 30MM PLATED | 2 | |
| 04 | 05.264.23 | SETSCREW M12 X 30MM PLATED | 2 | |
| 04 | 05.282.02 | SPRING WASHER 10MM PLATED | 2 | |
| 04 | 05.282.03 | SPRING WASHER 12MM PLATED | 2 | |
| 04 | 05.286.02 | NUT M10 PLATED | 2 | |
| 04 | 05.286.03 | NUT M12 PLATED | 2 | |
| *05 | 03.936.02 | STAY-MOTOR GUARD | 1 | |
| 05 | 05.264.11 | SETSCREW M10 X 20MM PLATED | 2 | |
| 05 | 05.282.02 | SPRING WASHER 10MM PLATED | 2 | |
| 05 | 05.286.02 | NUT M10 PLATED | 2 | |
| *06 | 03.866.01 | GUARD-FRONT | 1 | |
| 06 | 05.264.12 | SETSCREW M10 X 25MM PLATED | 2 | |
| 06 | 05.264.14 | SETSCREW M10 X 35MM PLATED | 4 | |
| 06 | 05.282.02 | SPRING WASHER 10MM PLATED | 6 | |
| 06 | 05.286.02 | NUT M10 PLATED | 6 | |
| *07 | 04.437.01 | GUARD-FRONT HOOD | 1 | |
| 07 | 05.264.12 | SETSCREW M10 X 25MM PLATED | 2 | |
| 07 | 05.264.14 | SETSCREW M10 X 35MM PLATED | 4 | |
| 07 | 05.282.02 | SPRING WASHER 10MM PLATED | 6 | |
| *08 | 03.830.01 | GUARD-PLASTIC | 1 | |
| *09 | 03.829.01 | BACKING STRIP - GUARD | 1 | |
| 09 | 05.264.01 | SETSCREW M8 X 20MM PLATED | 4 | |
| 09 | 05.282.01 | SPRING WASHER 8MM PLATED | 4 | |
| 09 | 05.286.01 | NUT M8 PLATED | 4 | |

*MAIN PART IN GROUP, RELATED PARTS HAVE SAME REFERENCE NUMBER.

MOTOR, ROTOR SHAFT, BEARING, ROLLER AND SKID ASSEMBLIES (950MM COWL)

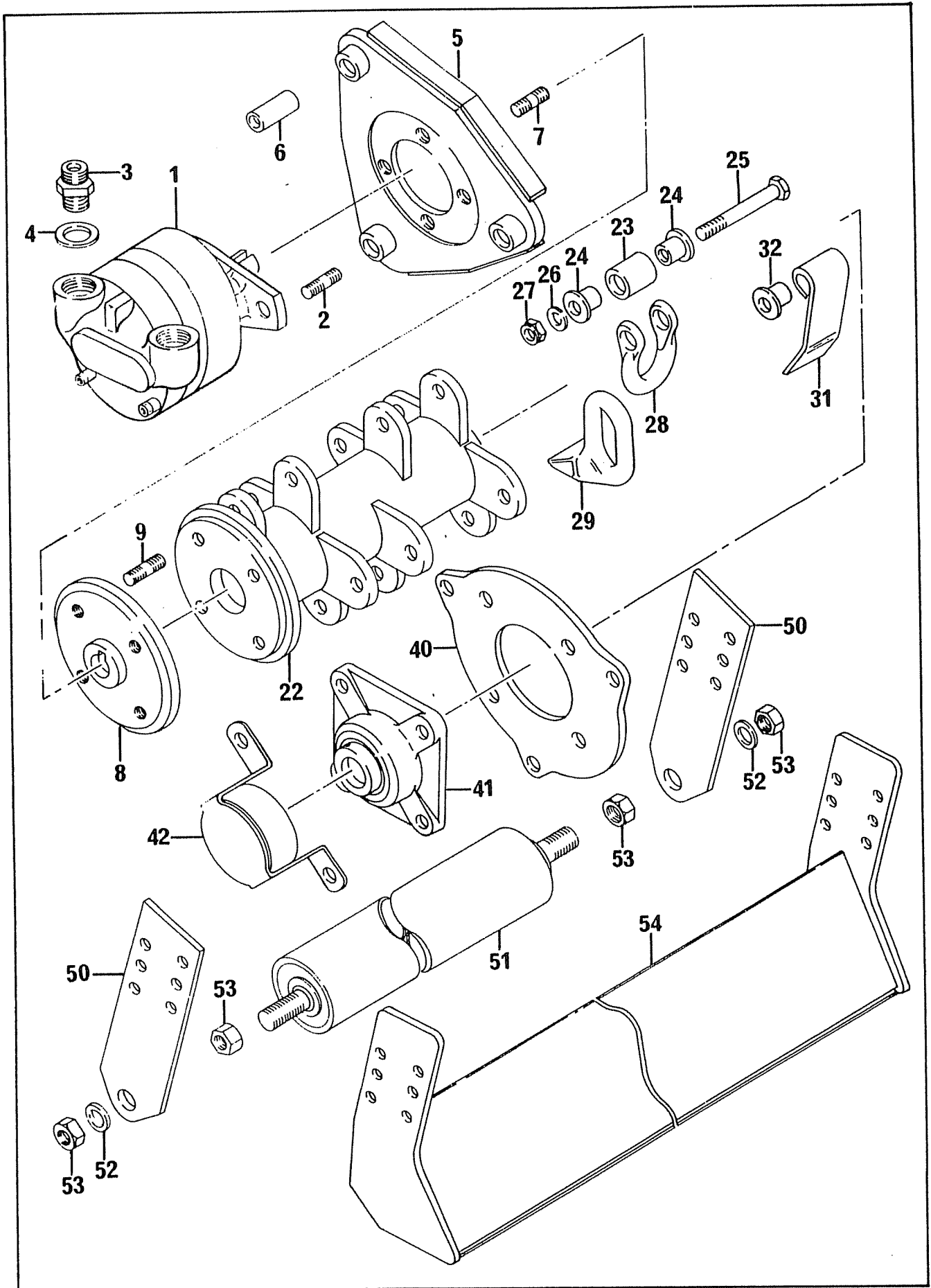


**MOTOR, ROTOR SHAFT, BEARING, ROLLER AND SKID ASSEMBLIES
(950MM COWL)**

| REF | PART NO. | DESCRIPTION | QTY | SERIAL NO. FROM - TO |
|----------------------|-----------|--|-----|-------------------------|
| 71.260.01 | | <u>MOTOR ASSEMBLY</u> | | |
| | 04.010.04 | MOTOR ASSY KIT comprising REF. NOS. 1, 2, 5, 7, 8 | | |
| 01 | | KEY - SEP 1/4" X 1/4" X 1" | - | |
| 01 | | SEAL KIT (02865 MOTORS) | - | |
| *01 | | MOTOR ASSY | 1 | |
| *02 | | STUD M10 X 36MM | 2 | |
| 02 | | SPRING WASHER 10MM PLATED | 2 | |
| 02 | | NUT M10 PLATED | 2 | |
| *03 | 05.377.01 | ADAPTOR 3/4" BSP X 3/4" BSP | 2 | |
| *04 | 05.290.06 | BONDED SEAL 3/4" BSP | 2 | |
| *05 | 06.036.01 | PLATE - MOTOR MOUNTING (3 BOLT) | 1 | |
| 06 | 02.824.01 | WASHER 50 O/D X 13 I/D X 5MM | 3 | |
| *06 | 03.871.01 | RUBBER BUSH | 3 | |
| 06 | 05.282.03 | SPRING WASHER 12MM PLATED | 3 | |
| 06 | 05.287.03 | SELF - LOCKING NUT M12 PLATED | 3 | |
| 06 | 05.291.28 | BOLT M12 X 65MM PLATED | 3 | |
| 07 | | WASHER 35 O/D X 10.5 I/D X 4MM | 1 | |
| *07 | | STUD 3/8" UNF X 30MM | 1 | |
| 07 | | SELF - LOCKING NUT 3/8" UNF PLATED | 1 | |
| *08 | | DRIVE PLATE - MOTOR | 1 | |
| *09 | 03.917.01 | STUD M10 X 36 (FINE) | 4 | |
| 09 | 05.282.02 | SPRING WASHER 10MM PLATED | 4 | |
| 09 | 05.968.02 | SELF - LOCKING NUT M10 (FINE) | 4 | |
| 71.568.01, 71.569.01 | | <u>ROTOR SHAFT ASSEMBLY</u> | | |
| | 03.938.01 | ROTOR SHAFT ASSEMBLY COMPLETE, CLOCKWISE FLAIL ROTATION VIEWED FROM DRIVE END COMPRISING REF NOS 22 - 29 | | |
| | 03.938.02 | ROTOR SHAFT ASSEMBLY COMPLETE, ANTI- CLOCKWISE FLAIL ROTATION VIEWED FROM DRIVE END COMPRISING REF NOS 22 - 29 | | |
| *22 | | ROTOR SHAFT 950MM | 1 | |
| *23 | 02.807.01 | SPACER 1" O/D X 16MM I/D X 7MM | 28 | |
| *24 | 02.801.01 | COLLAR 26 O/D X 24 | 56 | |
| *25 | 05.775.02 | BOLT M10 X 86MM (FINE) | 28 | |
| *26 | 05.282.02 | SPRING WASHER 10MM PLATED | 28 | |
| *27 | 05.968.02 | SELF - LOCKING NUT M10 (FINE) | 28 | |
| *28 | 05.895.01 | SHACKLE - FORGED | 28 | |
| *29 | 02.959.01 | FLAIL - FORGED | 28 | |
| *31 | 06.189.01 | FLAIL - FORMED 40 X 8 | - | |
| *32 | 06.192.02 | COLLAR 26 O/D X 21.5 | - | |

*MAIN PART IN GROUP, RELATED PARTS HAVE SAME REFERENCE NUMBER.

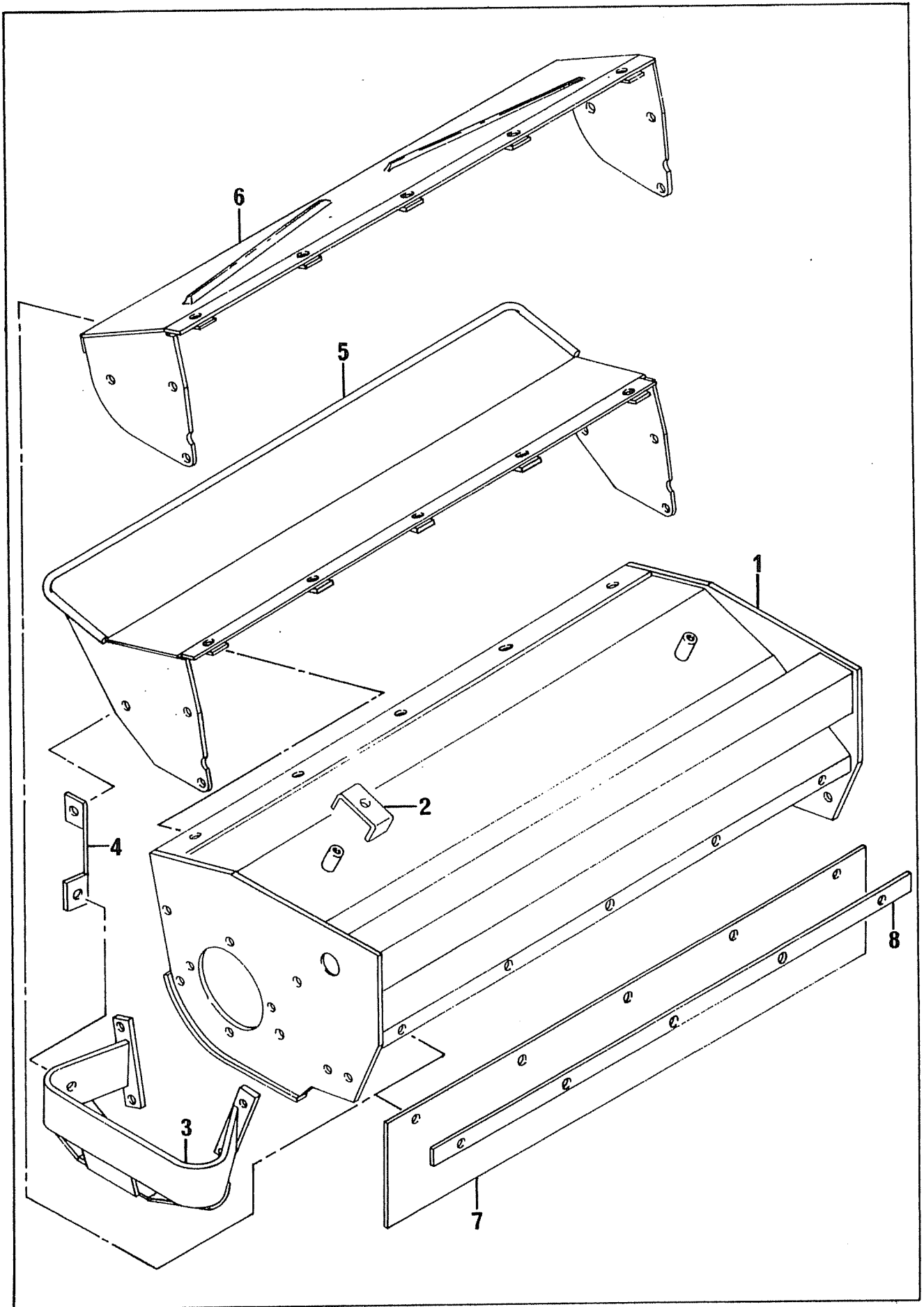
MOTOR, ROTOR SHAFT, BEARING, ROLLER AND SKID ASSEMBLIES (950MM COWL)



**MOTOR, ROTOR SHAFT, BEARING, ROLLER AND SKID ASSEMBLIES
(950MM COWL)**

| REF | PART NO. | DESCRIPTION | QTY | SERIAL NO. FROM - TO |
|-----------|-----------|--------------------------------|-----|-------------------------|
| 71.567.01 | | <u>BEARING ASSEMBLY</u> | | |
| *40 | 04.290.01 | PLATE - BEARING MTG | 1 | |
| 40 | 05.264.22 | SETSCREW M12 X 25MM PLATED | 3 | |
| 40 | 05.282.03 | SPRING WASHER 12MM PLATED | 3 | |
| 40 | 05.286.03 | NUT M12 PLATED | 3 | |
| 41 | 02.824.01 | WASHER 50 O/D X 13 I/D X 5MM | 1 | |
| *41 | 03.008.01 | BEARING ASSY - FLANGED 40 BORE | 1 | |
| 41 | 05.264.24 | SETSCREW M12 X 35MM PLATED | 3 | |
| 41 | 05.282.03 | SPRING WASHER 12MM PLATED | 2 | |
| 41 | 05.283.03 | SHAKEPROOF WASHER 12MM PLATED | 1 | |
| 41 | 05.286.03 | NUT M12 PLATED | 2 | |
| *42 | 03.831.01 | GUARD - BEARING | 1 | |
| 42 | 05.264.25 | SETSCREW M12 X 40MM PLATED | 2 | |
| 42 | 05.282.03 | SPRING WASHER 12MM PLATED | 2 | |
| 42 | 05.286.03 | NUT M12 PLATED | 2 | |
| 71.551.02 | | <u>ROLLER ASSEMBLY</u> | | |
| *50 | 03.762.02 | PLATE - ROLLER MTG. | 2 | |
| 50 | 05.264.24 | SETSCREW M12 X 35MM PLATED | 4 | |
| 50 | 05.282.03 | SPRING WASHER 12MM PLATED | 4 | |
| 50 | 05.287.03 | SELF - LOCKING NUT M12 PLATED | 4 | |
| *51 | 04.456.13 | ROLLER ASSY. 89 DIA X 968MM | 1 | |
| 51 | 04.456.15 | ROLLER BEARING KIT | - | |
| *52 | 05.281.06 | FLAT WASHER 24MM | 2 | |
| 52 | 05.282.06 | SPRING WASHER 24MM | 2 | |
| *53 | 05.286.06 | NUT M24 | 4 | |
| 71.552.01 | | <u>SKID ASSEMBLY</u> | | |
| 54 | 05.264.24 | SETSCREW M12 X 35MM PLATED | 4 | |
| 54 | 05.282.03 | SPRING WASHER 12MM PLATED | 4 | |
| 54 | 05.286.03 | NUT M12 PLATED | 4 | |
| *54 | 06.041.02 | SKID - 950MM COWL | 1 | |

*MAIN PART IN GROUP, RELATED PARTS HAVE SAME REFERENCE NUMBER.



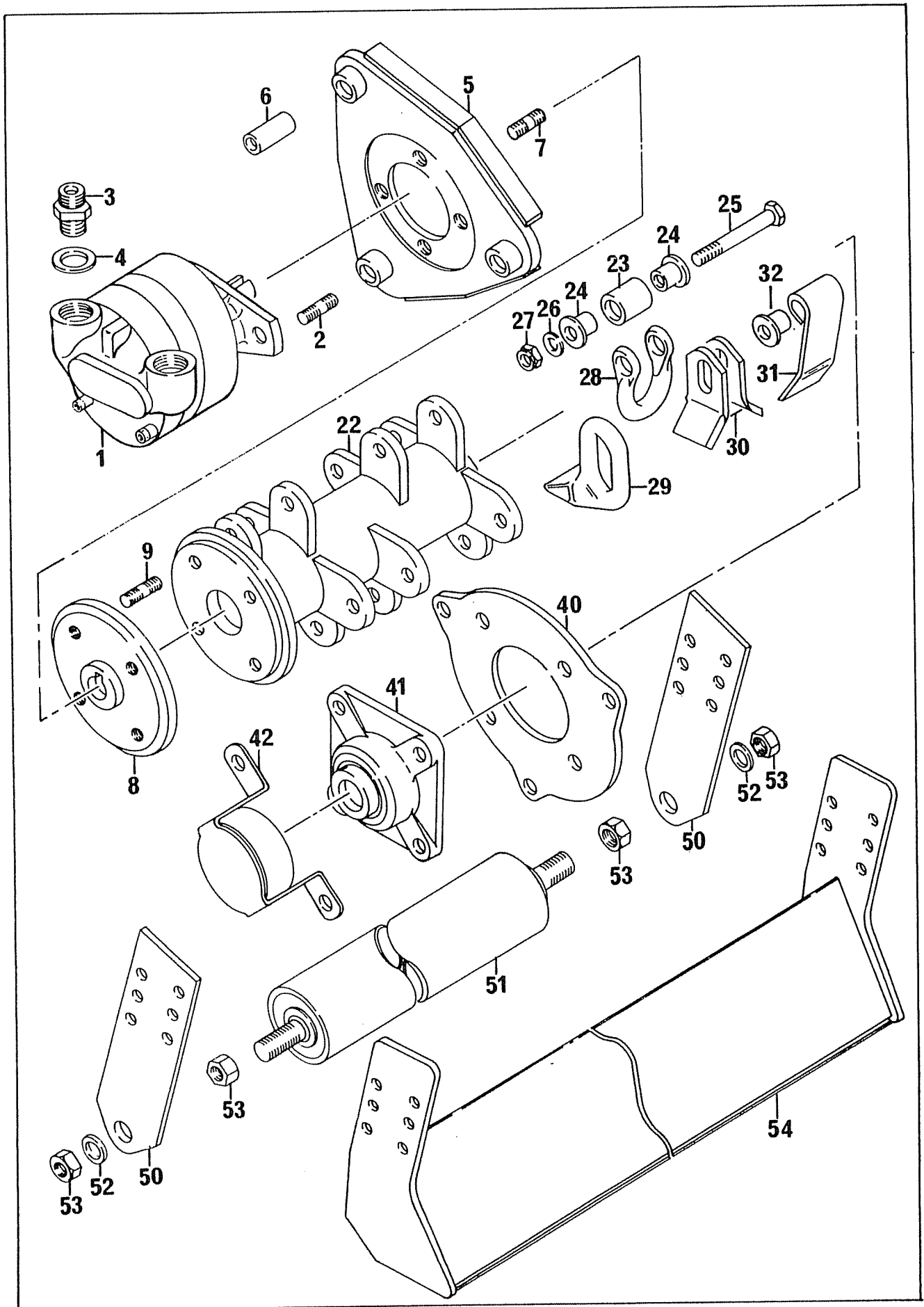
COWL 1100MM

71.255.01, 71.266.01

| REF | PART NO | DESCRIPTION | QTY | SERIAL NO FROM - TO |
|-----|-----------|--------------------------------|-----|------------------------|
| 01 | 05.227.01 | HAMMER DRIVE SCREW NO.6 X 1/2" | 2 | |
| 01 | 05.774.01 | SERIAL NUMBER PLATE | 1 | |
| *01 | 06.040.01 | COWL - 1100LW | 1 | |
| *02 | 03.838.01 | HOSE CLAMP | 1 | |
| 02 | 05.264.21 | SETSCREW M12 X 20MM PLATED | 1 | |
| 02 | 05.282.03 | SPRING WASHER 12MM PLATED | 1 | |
| 03 | 05.264.13 | SETSCREW M10 X 30MM PLATED | 2 | |
| 03 | 05.264.22 | SETSCREW M12 X 25MM PLATED | 2 | |
| 03 | 05.282.02 | SPRING WASHER 10MM PLATED | 2 | |
| 03 | 05.282.03 | SPRING WASHER 12MM PLATED | 2 | |
| 03 | 05.286.02 | NUT M10 PLATED | 2 | |
| 03 | 05.286.03 | NUT M12 PLATED | 2 | |
| *03 | 06.044.01 | GUARD - MOTOR | 1 | |
| 04 | 05.264.11 | SETSCREW M10 X 20MM PLATED | 2 | |
| 04 | 05.282.02 | SPRING WASHER 10MM PLATED | 2 | |
| 04 | 05.286.02 | NUT M10 PLATED | 2 | |
| *04 | 06.045.01 | STAY - MOTOR GUARD | 1 | |
| 05 | 05.264.12 | SETSCREW M10 X 25MM PLATED | 2 | |
| 05 | 05.264.13 | SETSCREW M10 X 30MM PLATE | 7 | |
| 05 | 05.282.02 | SPRING WASHER 10MM PLATED | 9 | |
| 05 | 05.286.02 | NUT M10 PLATED | 9 | |
| *05 | 06.038.01 | GUARD - FRONT | 1 | |
| 06 | 05.264.12 | SETSCREW M10 X 25MM PLATED | 2 | |
| 06 | 05.264.13 | SETSCREW M10 X 30MM PLATED | 5 | |
| 06 | 05.282.02 | SPRING WASHER 10MM PLATED | 7 | |
| 06 | 05.286.02 | NUT M10 PLATED | 7 | |
| *06 | 06.051.01 | GUARD - FRONT HOOD | 1 | |
| *07 | 06.049.01 | GUARD - REAR | 1 | |
| 08 | 05.264.01 | SETSCREW M8 X 20MM PLATED | 5 | |
| 08 | 05.282.01 | SPRING WASHER 8MM PLATED | 5 | |
| 08 | 05.286.01 | NUT M8 PLATED | 5 | |
| *08 | 06.039.01 | BACKING STRIP - REAR GUARD | 1 | |

* MAIN PART IN GROUP, RELATED PARTS HAVE SAME REFERENCE NUMBER

MOTOR, ROTOR SHAFT, BEARING, ROLLER AND SKID ASSEMBLIES (1100MM COWL)

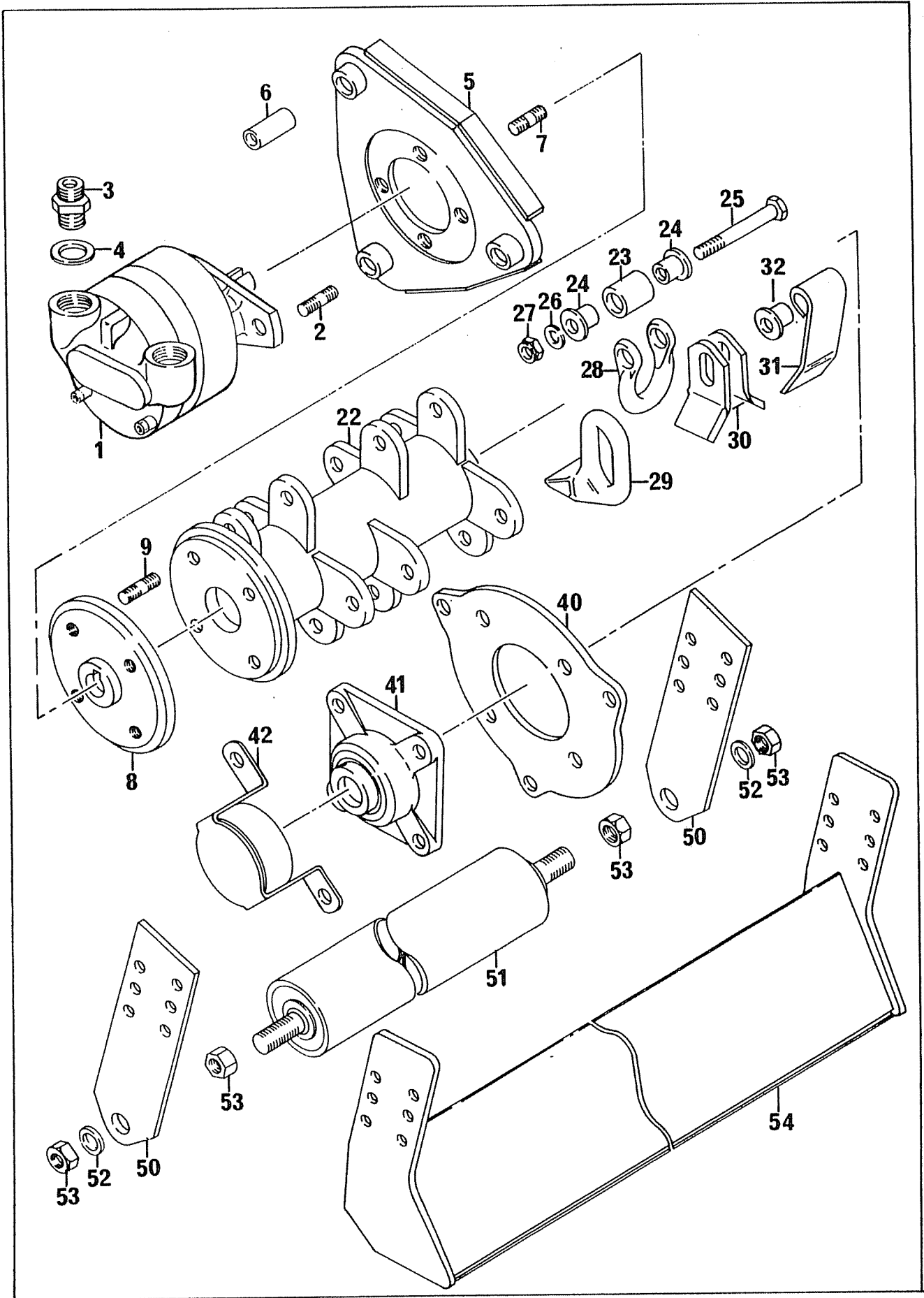


**MOTOR, ROTOR SHAFT, BEARING, ROLLER AND SKID ASSEMBLIES
(1100MM COWL)**

| REF | PART NO | DESCRIPTION | QTY | SERIAL NO FROM - TO |
|-----------|-----------|--------------------------------|-----|------------------------|
| 71.259.02 | | <u>BEARING ASSEMBLY</u> | | |
| 40 | 05.264.22 | SETSCREW M12 X 25MM PLATED | 3 | |
| 40 | 05.282.03 | SPRING WASHER 12MM PLATED | 3 | |
| 40 | 05.286.03 | NUT M12 PLATED | 3 | |
| *40 | 06.043.02 | PLATE - BEARING | 1 | |
| 41 | 02.824.01 | WASHER 50 O/D X 13 I/D X 5MM | 1 | |
| *41 | 03.008.01 | BEARING ASSY - FLANGED 40 BORE | 1 | |
| 41 | 05.264.24 | SETSCREW M12 X 35MM PLATED | 3 | |
| 41 | 05.282.03 | SPRING WASHER 12MM PLATED | 2 | |
| 41 | 05.283.03 | SHAKEPROOF WASHER 12MM PLATED | 1 | |
| 41 | 05.286.03 | NUT M12 PLATED | 2 | |
| 42 | 05.264.25 | SETSCREW M12 X 40MM PLATED | 2 | |
| 42 | 05.282.03 | SPRING WASHER 12MM PLATED | 2 | |
| 42 | 05.286.03 | NUT M12 PLATED | 2 | |
| *42 | 06.037.01 | GUARD - BEARING | 1 | |
| 71.261.02 | | <u>ROLLER ASSEMBLY</u> | | |
| *50 | 03.762.02 | PLATE - ROLLER MTG. | 2 | |
| 50 | 05.264.24 | SETSCREW M12 X 35MM PLATED | 4 | |
| 50 | 05.282.03 | SPRING WASHER 12MM PLATED | 4 | |
| 50 | 05.287.03 | SELF - LOCKING NUT M12 PLATE | 4 | |
| *51 | 04.456.14 | ROLLER ASSY - 89 O/D X 1101 | 1 | |
| 51 | 04.456.15 | ROLLER BEARING KIT | - | |
| *52 | 05.281.06 | FLAT WASHER 24MM | 2 | |
| 52 | 05.282.06 | SPRING WASHER 24MM | 2 | |
| *53 | 05.286.06 | NUT M24 | 4 | |
| 71.262.01 | | <u>SKID ASSEMBLY</u> | | |
| 54 | 05.264.24 | SETSCREW M12 X 35MM PLATED | 4 | |
| 54 | 05.282.03 | SPRING WASHER 12MM PLATED | 4 | |
| 54 | 05.287.03 | SELF-LOCKING NUT M12 PLATED | 4 | |
| *54 | 06.041.01 | SKID - 1100LW | 1 | |

* MAIN PART IN GROUP, RELATED PARTS HAVE SAME REFERENCE NUMBER.

MOTOR, ROTOR SHAFT, BEARING, ROLLER AND SKID ASSEMBLIES (1100MM COWL)



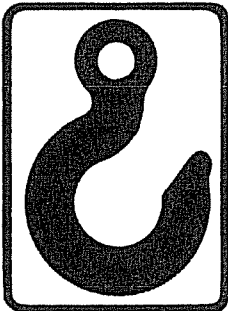
**MOTOR, ROTOR SHAFT, BEARING, ROLLER AND SKID ASSEMBLIES
(1100MM COWL)**

| REF | PART NO | DESCRIPTION | QTY | SERIAL NO FROM - TO |
|----------------------|-----------|--|------------------|------------------------|
| 71.260.01 | | <u>MOTOR ASSEMBLY</u> | | |
| | 04.010.04 | MOTOR ASSY KIT comprising of Ref. Nos. 1, 2, 5, 7, 8 | | |
| *01 | | MOTOR ASSY | 1 | |
| 01 | | SEAL KIT (02865 MOTORS) | - | |
| 01 | | KEY - SEP 1/4" X 1/4" X 1" | - | |
| *02 | | STUD M10 X 36MM | 2 | |
| 02 | | SPRING WASHER 10MM PLATED | 2 | |
| 02 | | NUT M10 PLATED | 2 | |
| *03 | 05.377.01 | ADAPTOR 3/4" BSP X 3/4" BSP | 2 | |
| *04 | 05.290.06 | BONDED SEAL 3/4" BSP | 2 | |
| *05 | | PLATE - MOTOR MOUNTING (3 BOLT) | 1 | |
| 06 | 02.824.01 | WASHER 50 O/D X 13 I/D X 5MM | 3 | |
| *06 | 03.871.01 | RUBBER BUSH | 3 | |
| 06 | 05.282.03 | SPRING WASHER 12MM PLATED | 3 | |
| 06 | 05.287.03 | SELF - LOCKING NUT M12 PLATED | 3 | |
| 06 | 05.291.28 | BOLT M12 X 65MM PLATED | 3 | |
| 07 | | WASHER 35 O/D X 10.5 I/D X 4MM | 1 | |
| *07 | | STUD 3/8" UNF X 30MM | 1 | |
| 07 | | S. LOCKING NUT 3/8" UNF PLATED | 1 | |
| *08 | | DRIVE PLATE - MOTOR | 1 | |
| *09 | 03.917.01 | STUD M10 X 36 (FINE) | 4 | |
| 09 | 05.282.02 | SPRING WASHER 10MM PLATED | 4 | |
| 09 | 05.968.02 | SELF LOCKING NUT M10 (FINE) | 4 | |
| 71.257.02, 71.258.02 | | <u>ROTOR SHAFT</u> | | |
| | 04.596.03 | ROTOR SHAFT ASSEMBLY COMPLETE, CLOCKWISE FLAIL ROTATION VIEWED FROM DRIVE END, COMPRISING REF NOS. 22 - 29 | | |
| | 04.596.04 | ROTOR SHAFT ASSEMBLY COMPLETE, ANTI- CLOCKWISE FLAIL ROTATION VIEWED FROM DRIVE END, COMPRISING REF NOS. 22 - 29 | | |
| *22 | | ROTOR SHAFT - 1100MM | 1 | |
| *23 | 02.807.01 | SPACER 1" O/D X 16MM I/D X 7MM | 32 | |
| *24 | 02.801.03 | COLLAR - PIVOT 10.5 I/D X 30 LONG | 64 | |
| *25 | 05.775.02 | BOLT M10 X 86MM (FINE) | 32 | |
| *26 | 05.282.02 | SPRING WASHER 10MM PLATED | 32 | |
| *27 | 05.968.02 | SELF LOCKING NUT M10 (FINE) | 32 | |
| *28 | 05.895.01 | SHACKLE - FORGED | 32 | |
| *29 | 02.959.01 | FLAIL - FORGED | 32 | |
| *30 | 02.812.01 | FLAIL - FORMED 40MM X 6MM | 64 (SPARES ONLY) | |
| *31 | 06.189.01 | FLAIL - FORMED 40MM X 8MM | 32 (SPARES ONLY) | |
| *32 | 06.192.01 | COLLAR 30MM O/D X 21MM | 64 (SPARES ONLY) | |

* MAIN PART IN GROUP, RELATED PARTS HAVE SAME REFERENCE NUMBER

BOMFORD

1



2



3

4

CRANE LIFTING CAPACITY
DRY WEIGHT OF THIS UNIT DOES NOT EXCEED
250 Kg. (550 lbs)
FOR OPERATIONAL WEIGHT ADD ATTACHMENTS, OIL, ETC
If in doubt contact Bomford & Evershed Ltd.

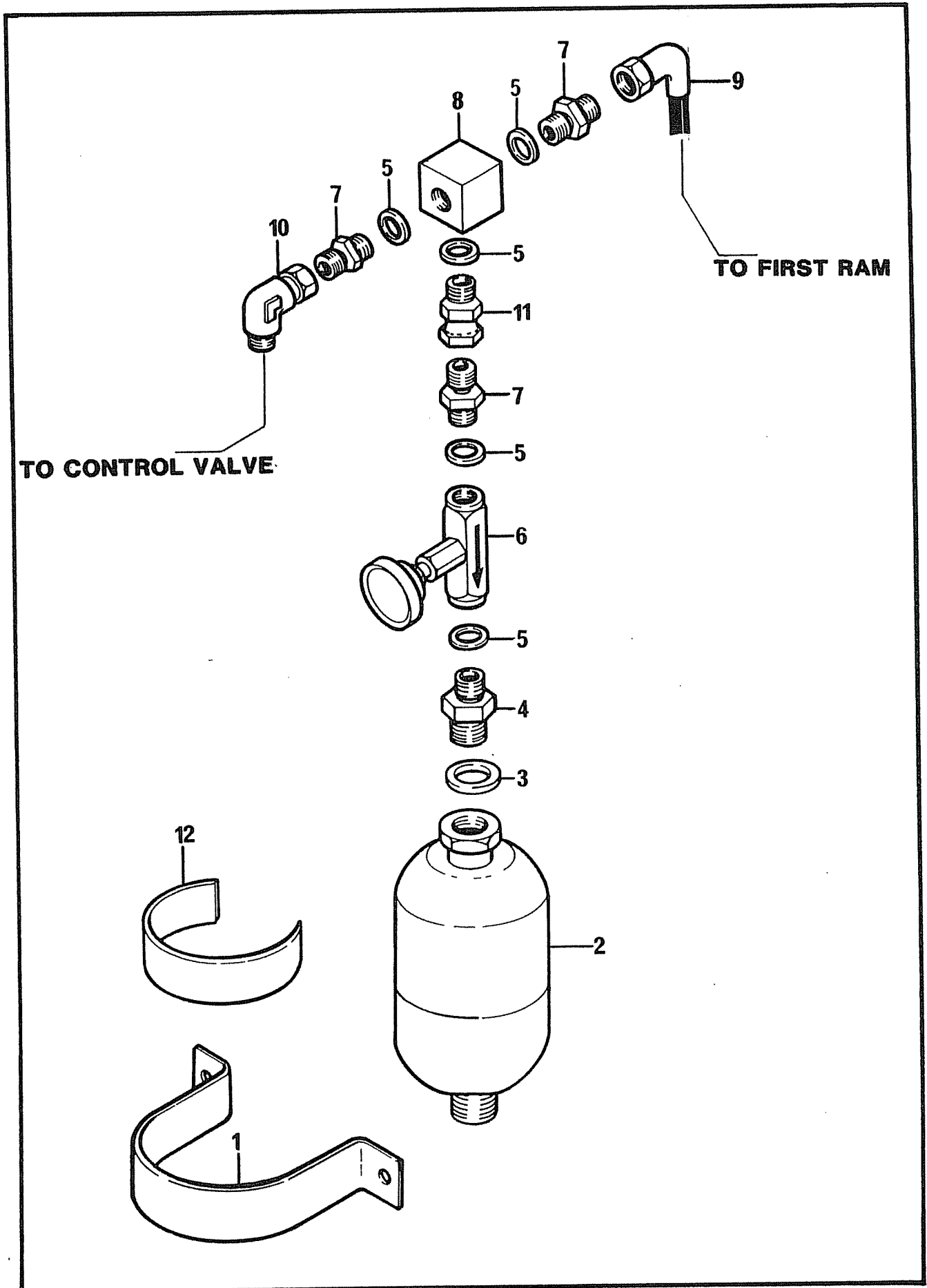
DECALS

71.263.02

| REF | PART NO | DESCRIPTION | QTY | SERIAL NO FROM - TO |
|-----|-----------|-------------------------|-----|------------------------|
| *01 | 06.958.02 | DECAL - BOMFORD (LARGE) | 1 | |
| *02 | 02.949.01 | DECAL - LIFTING SYMBOL | 2 | |
| *03 | 03.785.01 | DECAL - GREASE | 1 | |
| *04 | 06.007.01 | DECAL - WEIGHT 250KG | 1 | |

* MAIN PART IN GROUP, RELATED PARTS HAVE SAME REFERENCE NUMBER.

ACCUMULATOR KIT



ACCUMULATOR KIT

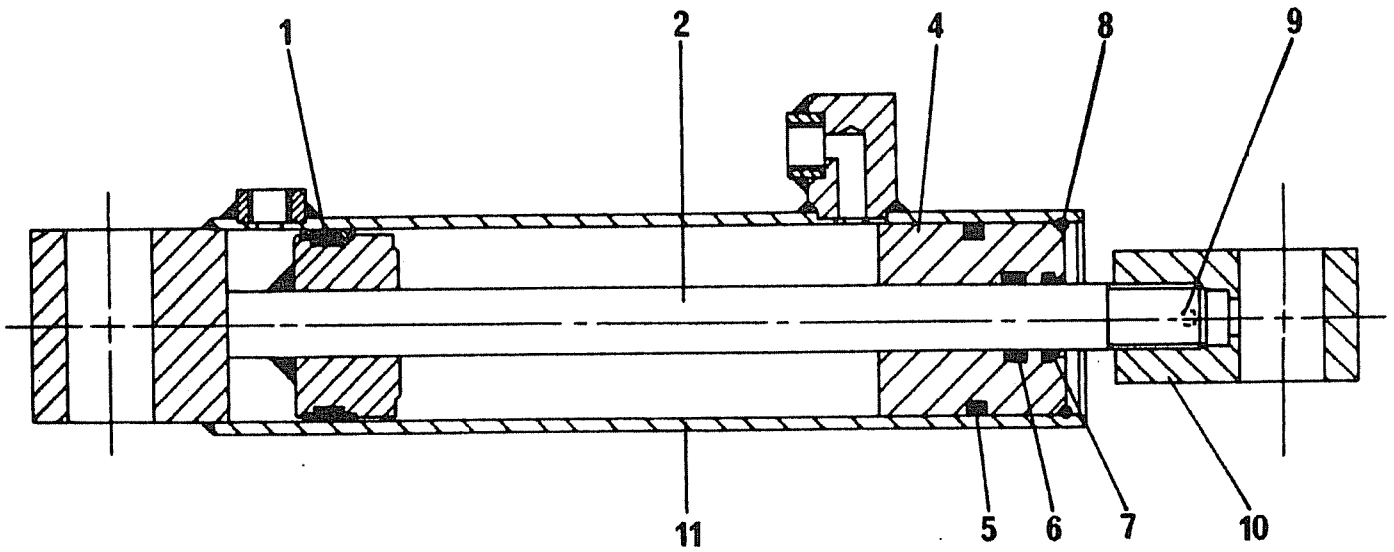
71.007.03

| REF | PART NO. | DESCRIPTION | QTY | SERIAL NO. FROM - TO |
|-----|-----------|----------------------------------|-----|-------------------------|
| *01 | 00.858.01 | CLAMP - HYDRACUSHION | 1 | |
| 01 | 04.282.24 | STUD M10 X 29 PLATED | 2 | |
| 01 | 05.282.02 | SPRING WISHER 10MM PLATED | 2 | |
| 01 | 05.286.02 | NUT M10 PLATED | 1 | |
| *02 | 06.861.01 | ACCUMULATOR 0.7LITRE | 1 | |
| *03 | 05.290.05 | BONDED SEAL 1/2" BSP | 1 | |
| *04 | 05.123.01 | ADAPTOR 1/2" BSP X 3/8" BSP | 1 | |
| *05 | 05.290.04 | BONDED SEAL 3/8" BSP | 5 | |
| *06 | 05.176.01 | ISOLATOR VALVE ASSY 3/8" BSP | 1 | |
| *07 | 05.124.01 | ADAPTOR 3/8" BSP X 3/8" BSP | 3 | |
| *08 | 00.954.01 | DISTRIBUTION BLOCK - 3 PORT | 1 | |
| *09 | 05.991.20 | HOSE 3/8" BSP X 1000MM | 1 | |
| *10 | 05.835.01 | ADAPTOR - SWIVEL 90 3/8" BSP M/F | 1 | |
| *11 | 02.714.01 | ADAPTOR - SWIVEL ST 3/8" BSP M/F | 1 | |
| *12 | 06.862.01 | PACKER - ACCUMULATOR | 1 | |

* MAIN PART IN GROUP, RELATED PARTS HAVE SAME REFERENCE NUMBER

FIRST RAM 04.271.10

DOUBLE ACTING RAM 70mm BORE 670mm STROKE

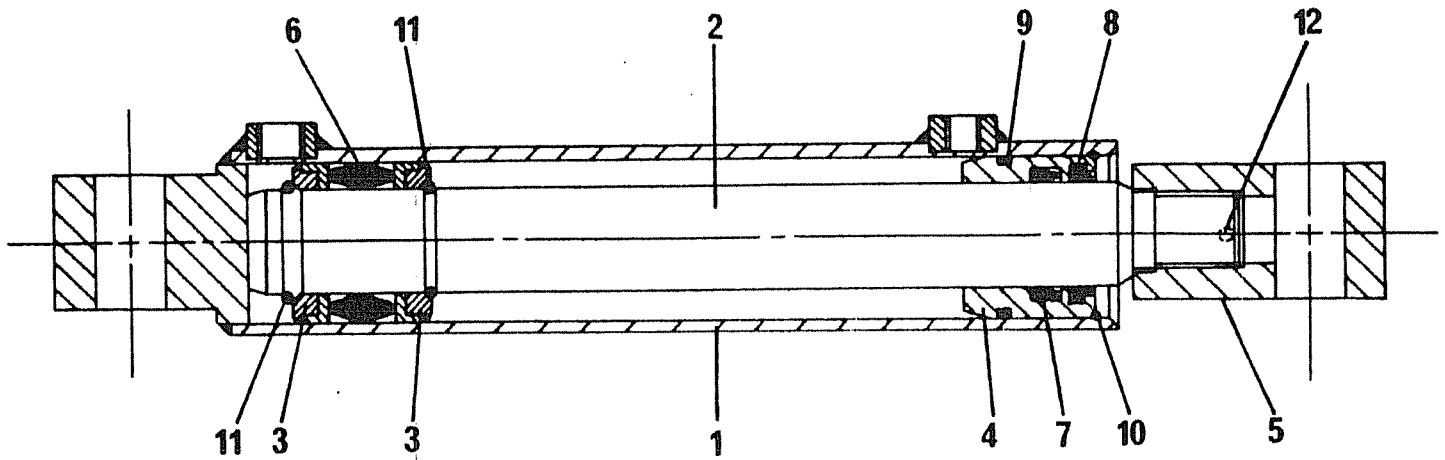


| REF | PART NO. | DESCRIPTION | QTY |
|-----|-----------|---|-----|
| 00 | 04.271.02 | SEAL KIT (04.271 RET. RAMS) COMPRISING ITEMS 1, 5 - 7 | - |
| *01 | 04.271.03 | SEAL-PRESSURE | 1 |
| 02 | 04.271.04 | RAM ROD 25MM DIA. | 1 |
| 04 | 03.841.06 | FRONT INSERT | 1 |
| *05 | 04.271.06 | O-RING | 1 |
| *06 | 04.271.07 | SEAL-INSERT | 1 |
| *07 | 04.271.08 | SEAL-WIPER | 1 |
| 08 | 04.271.09 | WIRE CLIP | 1 |
| 09 | 05.201.11 | TENSION PIN 5MM X 45MM | 1 |
| 11 | 04.271.11 | CYLINDER 90 DEGREE PORT | 1 |

*ITEMS NOT AVAILABLE SEPARATELY - SEE 04.271.02 SEAL KIT

SECOND RAM 04.156.12

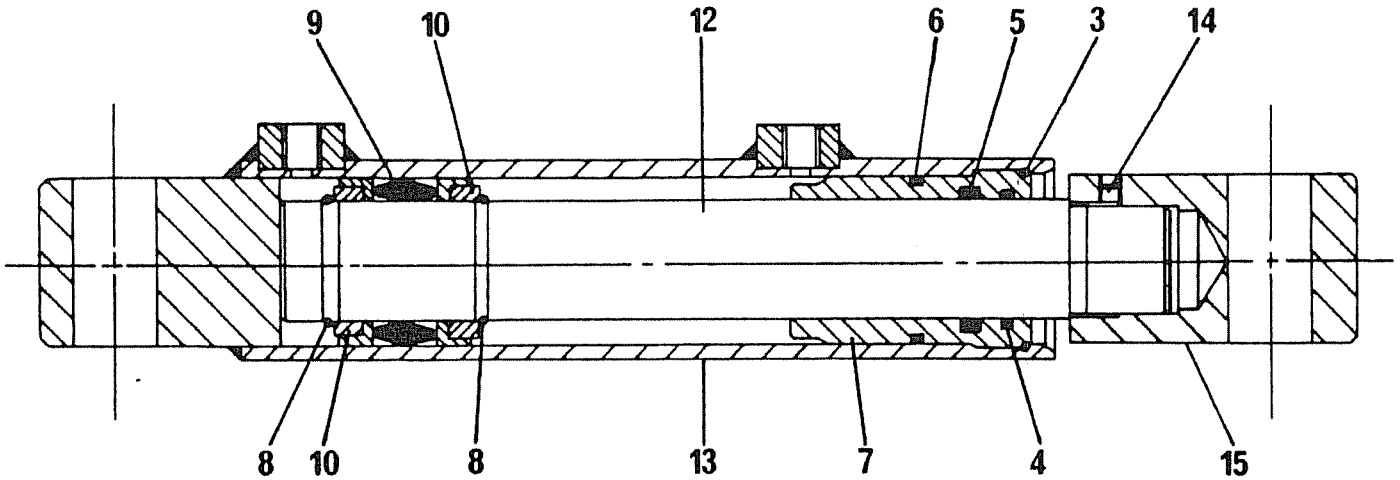
DOUBLE ACTING RAM 60mm BORE 645mm STROKE 03.842.15



| REF | PART NO. | DESCRIPTION | QTY |
|-----|-----------|---|-----|
| 00 | 04.156.13 | SEAL KIT (04.156 D/A RAMS) COMPRISING ITEMS 6 - 9 | - |
| 01 | 04.156.01 | CYLINDER | 1 |
| 02 | 04.156.02 | RAM ROD 40MM DIA. | 1 |
| 03 | 04.156.03 | PISTON FLANGE | 2 |
| 04 | 04.156.04 | FRONT INSERT | 1 |
| 05 | 04.156.05 | LUG-ROD | 1 |
| *06 | 04.156.06 | SEAL-PISTON | 1 |
| *07 | 04.156.07 | SEAL-INSERT | 1 |
| *08 | 04.156.08 | SEAL-WIPER | 1 |
| *09 | 04.156.09 | O-RING | 1 |
| 10 | 04.156.10 | WIRE CLIP | 1 |
| 11 | 04.156.11 | WIRE CLIP | 2 |
| 12 | 04.156.14 | TENSION PIN | 1 |

*ITEMS NOT AVAILABLE SEPARATELY - SEE 04.156.13 SEAL KIT

THIRD RAM 03.842.15
DOUBLE ACTING RAM 50mm BORE 430mm STROKE



| REF | PART NO. | DESCRIPTION | QTY |
|-----|-----------|---|-----|
| 00 | 03.842.16 | SEAL KIT (03.842 D/A RAMS) COMPRISING ITEMS 4 - 6 & 9 | - |
| 03 | 03.842.03 | WIRE CLIP | 1 |
| *04 | 03.842.04 | SEAL-WIPER | 1 |
| *05 | 03.842.05 | SEAL-INSERT | 1 |
| *06 | 03.842.06 | O-RING | 1 |
| 07 | 03.842.07 | FRONT INSERT (STEEL) | 1 |
| 08 | 03.842.08 | WIRE CLIP | 2 |
| *09 | 03.842.09 | SEAL-PISTON | 1 |
| 10 | 03.842.10 | BACKING RING | 2 |
| 12 | 03.842.12 | RAM ROD 35MM DIA. | 1 |
| 13 | 03.842.13 | CYLINDER | 1 |
| 14 | 05.388.03 | SOCKET GRUBSCREW M6 X 6MM | 1 |
| 15 | 03.842.17 | ROD LUG | 1 |

*ITEMS NOT AVAILABLE SEPARATELY - SEE 03.842.16 SEAL KIT