

PM 1830

B427
ARM MOWER (LH)

PARTS MANUAL

B 427

**PAGE AND ILLUSTRATION NUMBERS ARE USED ONLY FOR REFERENCE PURPOSES
AND SHOULD NOT BE USED FOR ORDERING SPARE PARTS.**

**PLEASE ENSURE THE CORRECT PART NUMBER WITH DESCRIPTION IS
GIVEN WHEN ORDERING SPARE PARTS.**

FOR MACHINES WITH SERIAL NUMBERS COMMENCING FROM ..

PAGE NO**DESCRIPTION****B 427 MACHINE BASE**

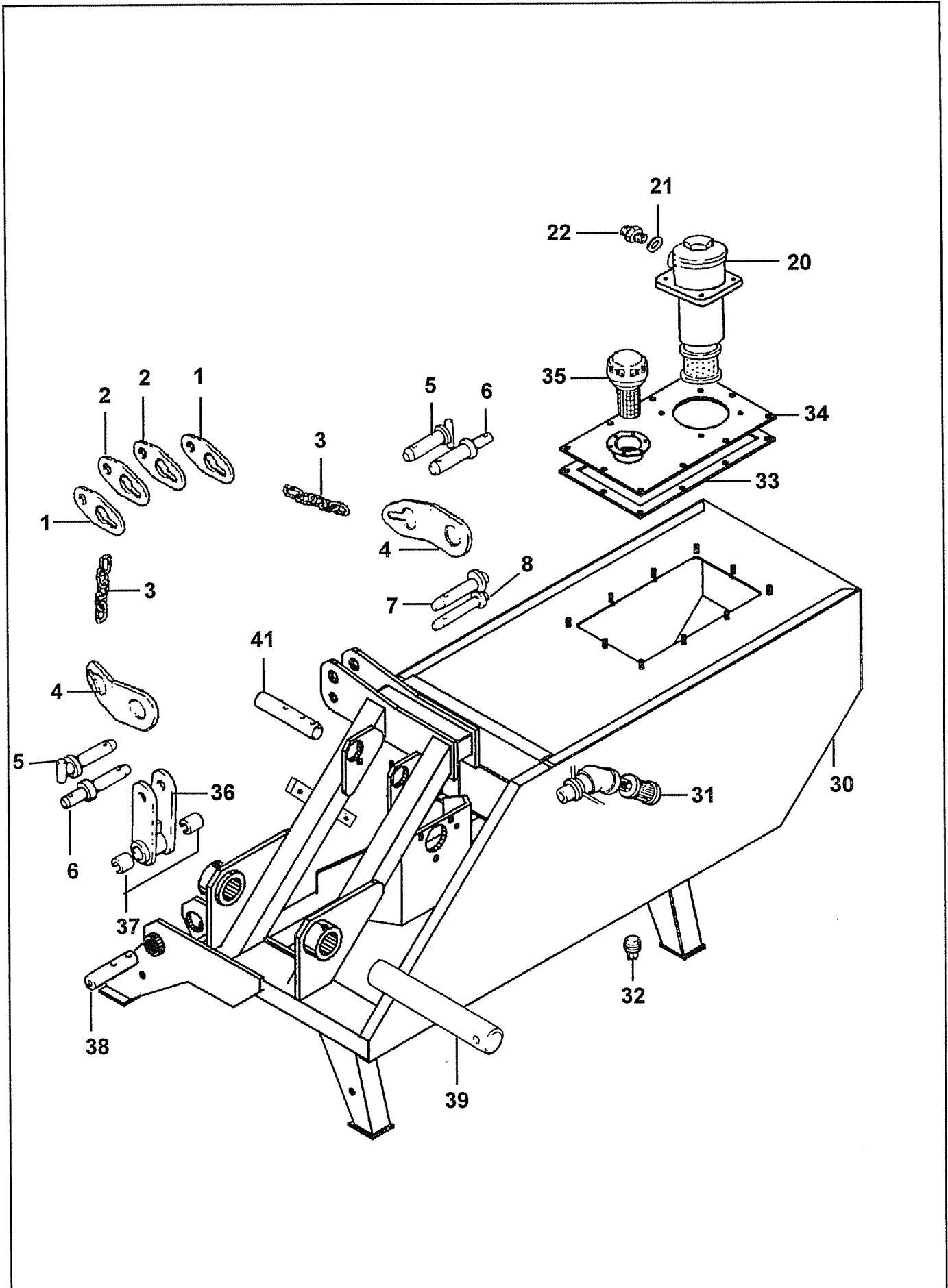
2 - 1 TO 2 - 2	TRACTOR MOUNTINGS, FILTER ASSEMBLY MAINFRAME LH
3 - 1 TO 3 - 3	FIRST & SECOND ARM ASSEMBLIES COWL BRACKET & LINKAGE LH
4 - 1 TO 4 - 5	PTO/GEARBOX/PUMP CIRCUIT - SINGLE PUMP PTO/GEARBOX ASSEMBLY - TWIN PUMP, PUMP ASSEMBLY PUMP CIRCUIT - TWIN PUMP
5 - 1 TO 5 - 2	CONTROL VALVE ASSEMBLY
6 - 1 TO 6 - 2	CABLE ASSEMBLY - TWIN PUMP
7 - 1 TO 7 - 4	RAM CIRCUITS
8 - 1 TO 8 - 2	DECALS

IMPORTANT

**THIS MACHINE IS FOR VEGETATION CONTROL AND
MUST NOT BE USED FOR ANY OTHER PURPOSE**

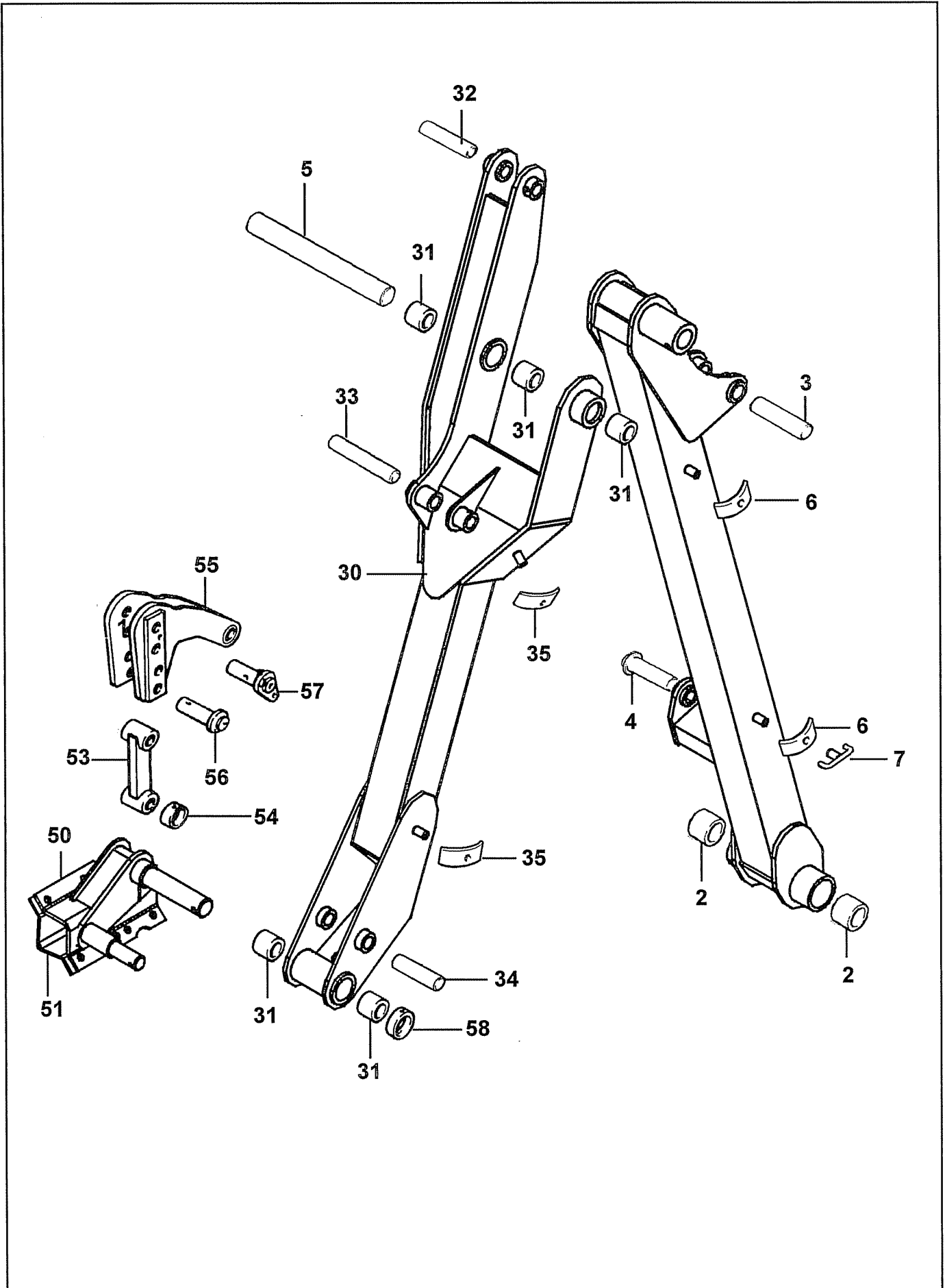
**IT IS POTENTIALLY HAZARDOUS TO FIT OR USE ANY PARTS
OTHER THAN GENUINE BOMFORD TURNER PARTS**

**THE COMPANY DISCLAIMS ALL LIABILITY FOR THE
CONSEQUENCES OF SUCH USE WHICH, IN ADDITION,
VOIDS THE MACHINE WARRANTY**



REF	PART NO	DESCRIPTION	QTY
72.148.02 TRACTOR MOUNTINGS			
01	09.999.01	PLATE STABILIZER CAT2	2
02	10.100.01	PLATE STABILIZER CAT1	2
03	10.105.01	CHAIN 8DIA X 1800	1
04	09.998.01	PLATE STABILIZER	2
05	00.372.01	LINCH PIN	2
*05	06.318.01	PIN-1.1/8" DIA X 103	-
06	05.159.01	PIN-DUAL CATEGORY	2
07	00.372.01	LINCH PIN	1
*07	03.873.01	PIN 1"DIA X 140MM	1
08	00.372.01	LINCH PIN	1
*08	03.874.01	PIN 3/4"DIA X 140MM	1
76.473.01 FILTER ASSEMBLY			
20	05.264.01	SETSCREW M8 X 20MM PLATED	4
20	05.282.01	SPRING WASHER 8MM PLATED	4
*20	41.041.01	FILTER ASSEMBLY 125L	1
20	41.041.02	ELEMENT 125L	-
21	05.290.08	BONDED SEAL 1.1/4"BSP	1
22	42627.01	ADAPTOR 1.1/4" X 3/4" BSP	1
76.463.04 MAINFRAME			
30	05.227.01	HAMMER DRIVE SCREW NO. 6 X 3/8"	2
30	05.281.01	FLAT WASHER 8MM PLATED	10
30	05.286.01	NUT M8 PLATED	10
30	05.774.06	SERIAL NO.PLATE BOMFORD TURNER	1
*30	42617.01	MAINFRAME	1
31	05.367.02	FILTER - SUCTION	1
32	05.495.01	PLUG 1/2"BSPT	-
33	08.605.01	GASKET	1
34	41.255.01	PLATE - FILLER/FILTER	1
35	06.966.02	FILLER BREATHER CAP & STRAINER	1
36	09.997.01	LINK BREAKOUT	1
37	02.771.06	TENSION BUSH 35 X 30 X 30	2
*38	03.654.47	PIN - DIA 30 X 160	1
38	05.201.07	TENSION PIN 8MM X 45MM PLATED	1
38	05.953.01	GREASE NIPPLE M6	1
*39	03.657.21	PIN 50 DIA X 340	1
39	05.287.03	SELF-LOCKING NUT M12 PLATED	1
39	05.292.22	BOLT M12 X 90MM PLATED	1
*41	03.654.44	PIN 30 DIA X 160	1
41	05.201.07	TENSION PIN 8MM X 45MM PLATED	1
41	05.953.01	GREASE NIPPLE M6	1

*MAIN PART IN GROUP, RELATED PARTS HAVE SAME REFERENCE NUMBER

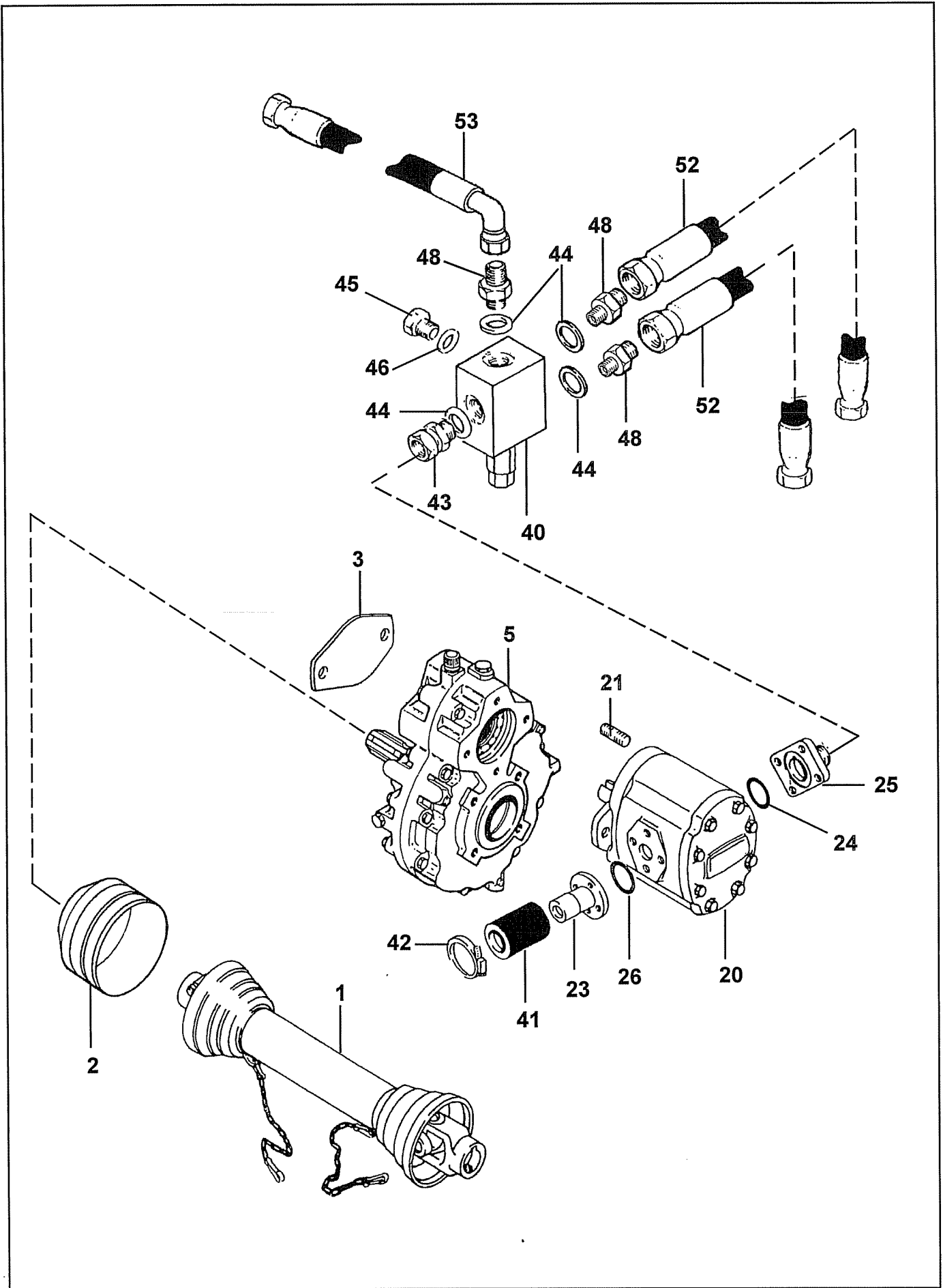


REF	PART NO	DESCRIPTION	QTY
76.464.02 ARM - FIRST LH			
01	05.953.04	GREASE NIPPLE M10 90 DEG	1
*01	42615.01	ARM - FIRST LH	1
02	08.297.01	BUSH - PLASTIC 60 X 50 X 50	2
*03	03.654.43	PIN 30 DIA X 140	1
03	05.201.07	TENSION PIN 8MM X 45MM PLATED	1
03	05.953.01	GREASE NIPPLE M6	1
*04	03.653.31	PIN 25 DIA X 120	1
04	05.201.07	TENSION PIN 8MM X 45MM PLATED	1
04	05.953.01	GREASE NIPPLE M6	1
*05	03.656.87	PIN 40 DIA X 349	1
05	05.287.02	SELF-LOCKING NUT M10 PLATED	1
05	05.292.11	BOLT M10 X 80MM PLATED	1
05	05.953.01	GREASE NIPPLE M6	2
06	05.264.13	SETSCREW M10 X 30MM PLATED	1
06	05.282.02	SPRING WASHER 10MM PLATED	2
06	05.291.17	BOLT M10 X 60MM PLATED	1
*06	42546.01	CLAMP PLATE	2
07	42546.02	CLAMP - HOSE	1
76.465.02 ARM - SECOND LH			
30	05.953.03	GREASE NIPPLE M10	1
*30	42544.01	ARM - SECOND LH	1
31	08.297.02	BUSH - PLASTIC 47 X 40 X 40	5
*32	03.653.54	PIN 25 DIA X 129	1
32	05.201.07	TENSION PIN 8MM X 45MM PLATED	1
32	05.953.01	GREASE NIPPLE M6	1
*33	03.653.37	PIN 25 DIA X 159	1
33	05.201.07	TENSION PIN 8MM X 45MM PLATED	1
*34	03.653.50	PIN 25 DIA X 156	1
34	05.201.07	TENSION PIN 8MM X 45MM PLATED	1
34	05.953.01	GREASE NIPPLE M6	1
35	05.264.13	SETSCREW M10 X 30MM PLATED	2
35	05.282.02	SPRING WASHER 10MM PLATED	2
*35	42546.01	CLAMP PLATE	2

*MAIN PART IN GROUP, RELATED PARTS HAVE SAME REFERENCE NUMBER

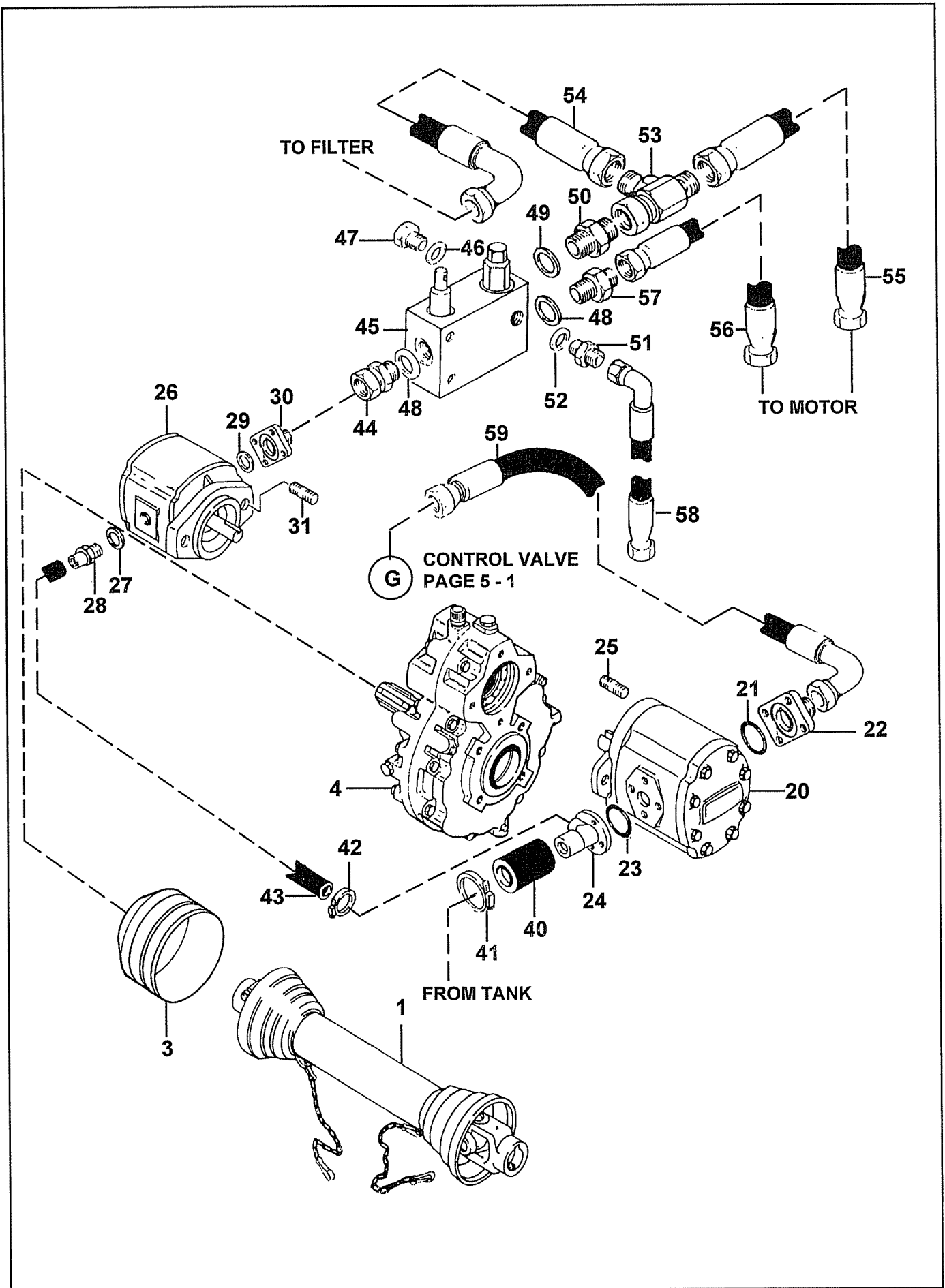
REF	PART NO	DESCRIPTION	QTY
76.466.02 COWL BRACKET & LINKAGE LH			
50	05.264.25	SETSCREW M12 X 40MM PLATED	6
50	05.282.03	SPRING WASHER 12MM PLATED	6
50	05.286.03	NUT M12 PLATED	6
*50	42545.01	BRACKET - COWL LH	1
51	07.947.01	CLAMP - COWL BRACKET	1
53	03.846.01	LINK COWL	1
53	05.953.01	GREASE NIPPLE M6	2
*54	03.932.01	SPACER 45 O/DX 35 I/D X 16MM PLTD	1
54	05.201.11	TENSION PIN 5MM X 45MM PLATED	1
55	03.931.01	LINK - RAM	1
56	00.372.01	LINCH PIN	1
*56	03.653.03	PIN 25 DIA X 106	1
*57	03.653.04	PIN 25 DIA X 83	1
57	04.175.01	STUD M10 X 29MM	1
57	05.281.02	FLAT WASHER 10MM PLATED FORM C	1
57	05.953.01	GREASE NIPPLE M6	1
57	05.968.02	SELF LOCKING NUT M10 (FINE)	1
*58	03.837.01	SPACER 55 X 40.5 X 20 PLATED	1
58	05.201.10	TENSION PIN 10MM X 60MM PLATED	1

*MAIN PART IN GROUP, RELATED PARTS HAVE SAME REFERENCE NUMBER



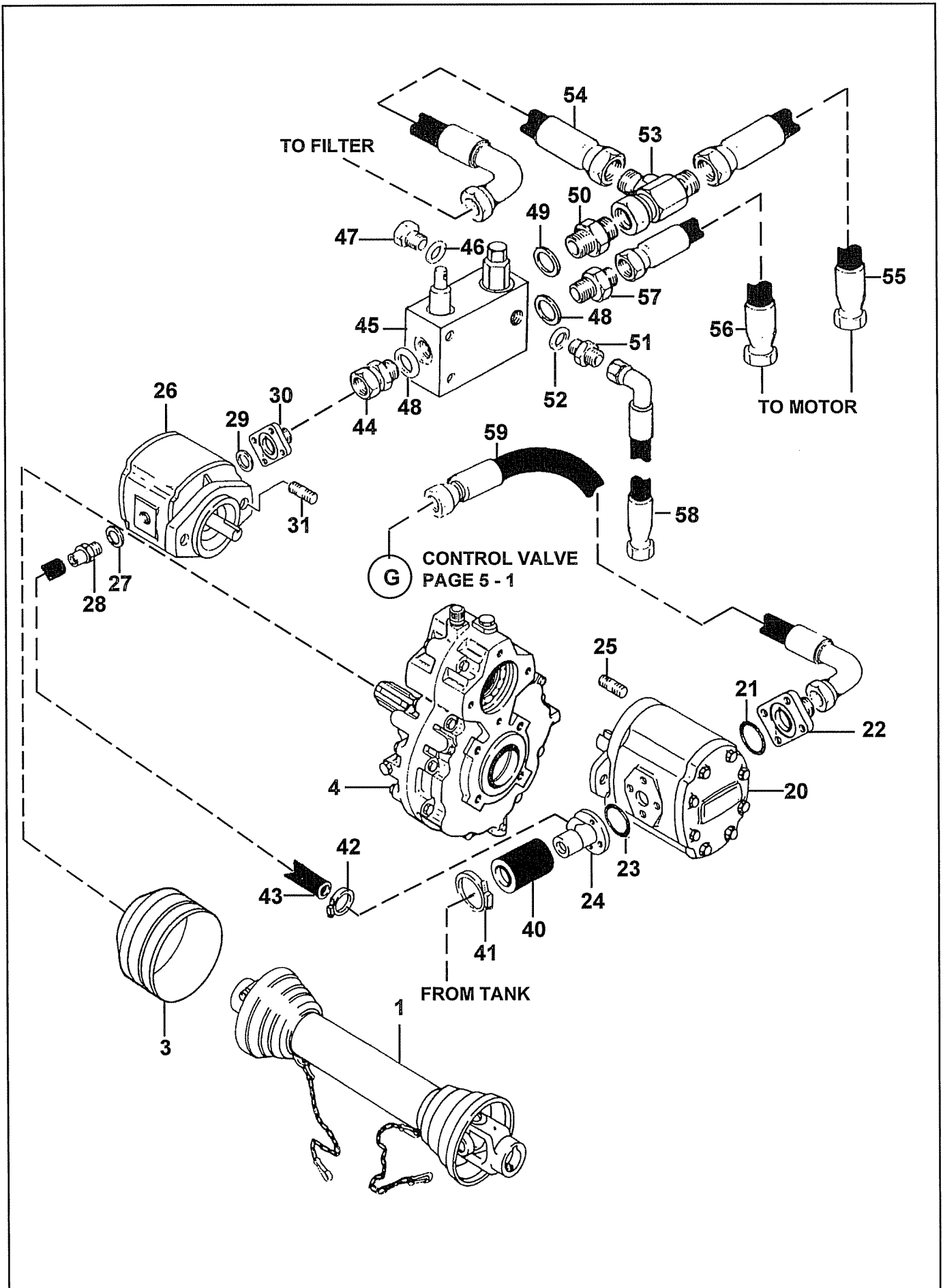
REF	PART NO	DESCRIPTION	QTY
76.467.01 PTO/GEARBOX ASSY SINGLE PUMP			
*01	41623.02	PTO SHAFT ASSY 610MM C/C	1
01	41623.31	CROSS JOURNAL SET	-
01	41623.33	COMPLETE SHIELD	-
02	05.264.14	SETSCREW M10 X 25MM	2
*02	42273.02	PTO CUP GUARD	1
*03	09.828.01	GEARBOX ASSY - ESII	1
05	04.182.01	PLATE BLANKING	1
05	05.264.11	SETSCREW M10 X 20MM	2
05	05.282.02	SPRING WASHER	2
06	04.174.01	STUD M12 X 38MM	3
06	05.968.03	SELF LOCKING NUT M12 (FINE)	3
72.913.01 PUMP ASSEMBLY			
20	05.642.02	SEAL KIT (05 650 PUMPS)	0
20	05.650.03	PUMP 2PL146 SPLINE SHAFT	1
21	03.100.01	STUD M10 X 34MM	2
21	05.282.02	SPRING WASHER 10MM PLATED*	2
21	05.287.02	SELF-LOCKING NUT M10 PLATED*	2
23	03.050.02	ADAPTOR-FLANGED 1.1/2"ODPLATED	1
23	05.657.01	SCKT CAPSCRW 5/16"UNCX7/8" PLT	4
24	05.656.03	"O"RING 25 I/D X 3.53	1
25	03.864.01	ADAPTOR-FLANGED 3/4"BSP PLATED	1
25	05.657.01	SCKT CAPSCRW 5/16"UNCX7/8" PLT	4
26	05.656.01	"O"RING 28 I/D X 2.5	1
76.653.02 PUMP CIRCUIT SINGLE PUMP			
40	03.862.02	SEAL KIT (03862 VALVES)	0
40	03.862.06	RELIEF VALVE ASSY	1
40	03.862.07	RELIEF CARTRIDGE - 180 BAR	0
41	06.288.01	HOSE 1.1/2" BORE X 120MM	1
42	05.863.02	JUBILEE CLIP 2"DIA	2
43	03.858.01	ADAPTOR-SWIVEL ST 3/4"BSP M/F	1
44	05.290.06	BONDED SEAL 3/4"BSP	4
45	05.433.01	PLUG 3/8"BSP PLATED	1
46	05.117.01	COPPER WASHER 3/8" BSP	1
48	05.377.01	ADAPTOR 3/4"BSP X 3/4"BSP	3
52	10.009.62	HOSE 3/4"BSP STXST S.SEAL 5200	0
53	10.010.26	HOSE 3/4"BSP STX90 S.SEAL 1600	0

*MAIN PART IN GROUP, RELATED PARTS HAVE SAME REFERENCE NUMBER



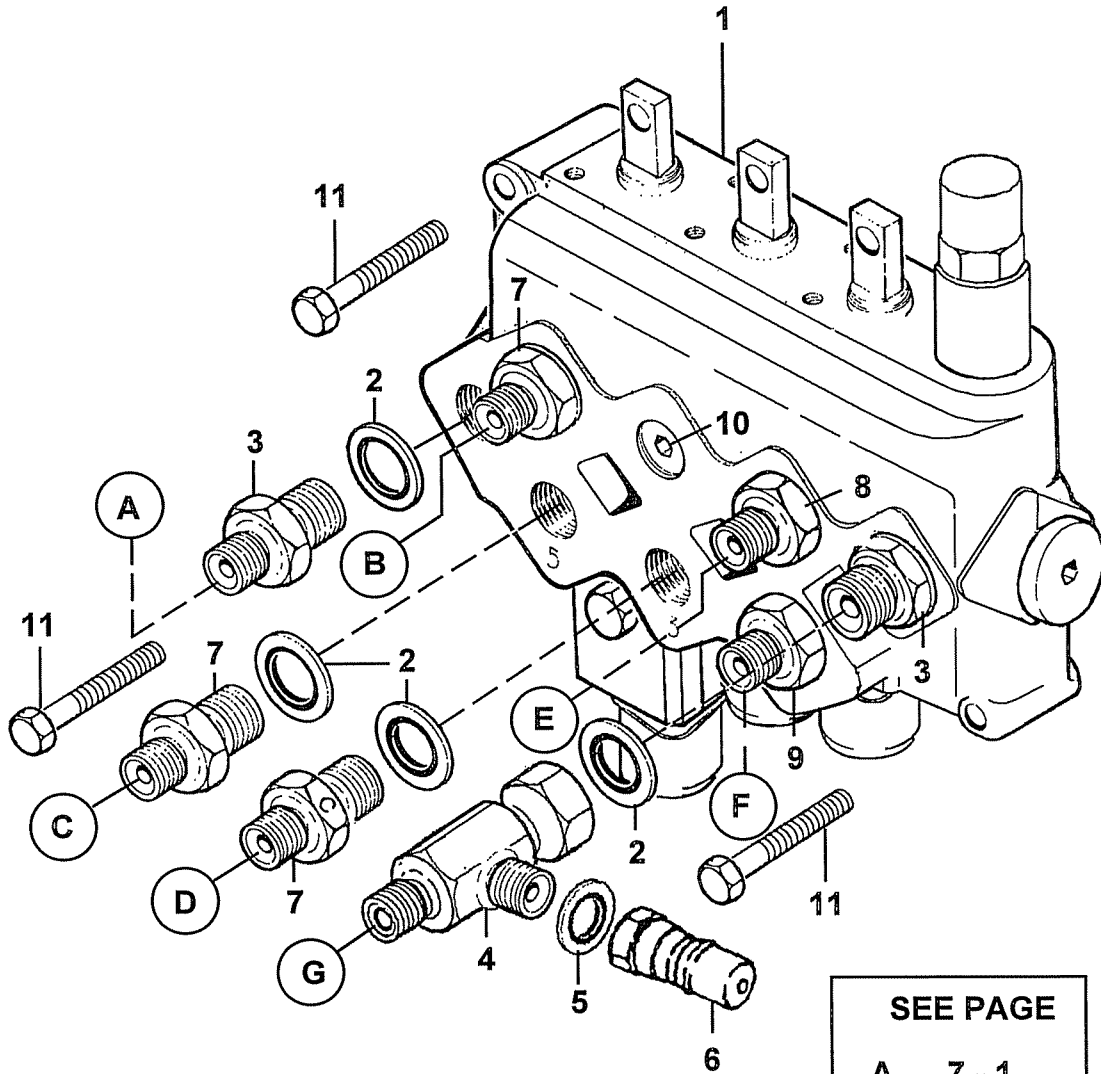
REF	PART NO	DESCRIPTION	QTY
76.467.01 PTO/GEARBOX ASSY TWIN PUMP			
*01	41623.02	PTO SHAFT ASSY 610MM C/C	1
01	41623.31	CROSS JOURNAL	-
01	41623.33	COMPLETE SHIELD	-
03	05.281.01	FLAT WASHER 8MM PLATED	2
03	05.282.01	SPRING WASHER 8MM PLATED	2
03	05.839.03	SETSCREW M8 X 16MM PLATED	1
*03	42273.02	PTO CUP GUARD	1
04	04.174.01	STUD M12 X 38MM	3
04	05.968.03	SELF LOCKING NUT M12 (FINE)	3
*04	09.828.01	GEARBOX ASSY - ESII	1
76.474.01 PUMP ASSEMBLY			
20	05.650.03	PUMP 2PL146 SPLINE SHAFT	1
21	05.656.03	"O" RING 25 I/D X 3.53	1
*22	03.864.01	ADAPTOR - FLANGED 3/4" BSP PLATED	1
22	05.657.01	SCKT CAPSCREW 5/16" UNC X 7/8" PLT	4
23	05.656.01	"O" RING 28 I/D X 2.5	1
24	05.657.01	SCKT CAPSCREW 5/16" UNC X 7/8" PLT	4
*24	06.251.01	ADAPTOR - INLET PLATED	1
*25	03.100.01	STUD M10 X 34MM	2
25	05.282.02	SPRING WASHER 10MM PLATED	2
25	05.286.02	NUT M10 PLATED	2
26	09.537.01	GEAR PUMP - ULTRA 1PX070	1
27	05.290.05	BONDED SEAL 1/2" BSP	1
28	04.244.01	ADAPTOR 1/2" BSP X 3/4" O/D	1
29	30.210.92	"O" RING 200-121-4490	1
30	05.657.01	SCKT CAPSCREW 5/16" UNC X 7/8" PLT	4
*30	09.745.01	ADAPTOR-FLANGE 3/8" BSP PLATED	1
31	05.282.02	SPRING WASHER 10MM PLATED	2
31	05.286.02	NUT M10 PLATED	2
*31	05.291.13	BOLT M10 X 40MM PLATED	2

*MAIN PART IN GROUP, RELATED PARTS HAVE SAME REFERENCE NUMBER



REF	PART NO	DESCRIPTION	QTY
76.478.01 PUMP CIRCUIT TWIN PUMP			
40	06.288.01	HOSE 1.1/2" BORE X 120MM	1
41	05.863.02	JUBILEE CLIP 2"DIA	2
42	05.863.03	JUBILEE CLIP 20-32 DIA	2
43	05.983.09	HOSE 3/4" BORE X 650MM PLAIN	-
44	03.858.01	ADAPTOR-SWIVEL ST 3/4"BSP M/F	1
45	05.625.11	SKT CAPSCRW 1/4UNC X 5/8 PLATED	2
45	06.284.02	SEAL KIT FOR (06.284.01) VALVE	-
45	06.284.11	RELIEF VALVE/DIVERTER ASSY	1
*45	06.284.18	RELIEF CARTRIDGE - 180 BAR	-
46	05.117.01	COPPER WASHER 3/8" BSP	1
47	05.433.01	PLUG 3/8"BSP PLATED	1
48	05.290.06	BONDED SEAL 3/4"BSP	2
49	05.377.01	ADAPTOR 3/4"BSP X 3/4"BSP	1
50	05.373.01	ADAPTOR 3/4"BSP X 1"BSP	1
51	05.124.01	ADAPTOR 3/8" BSP X 3/8" BSP	1
52	05.290.04	BONDED SEAL 3/8"BSP	1
53	04.056.01	ADAPTOR-SWIVEL TEE 3/4"BSP FMM	1
54	10.010.26	HOSE 3/4"BSP ST X 90 S.SEAL 1600	1
55	10.009.62	HOSE 3/4"BSP ST X ST S.SEAL 5200	1
56	10.009.62	HOSE 3/4"BSP ST X ST S.SEAL 5200	1
57	05.377.01	ADAPTOR 3/4"BSP X 3/4"BSP	1
58	10.004.22	HOSE 3/8"BSP STX90 S.SEAL 1200	1

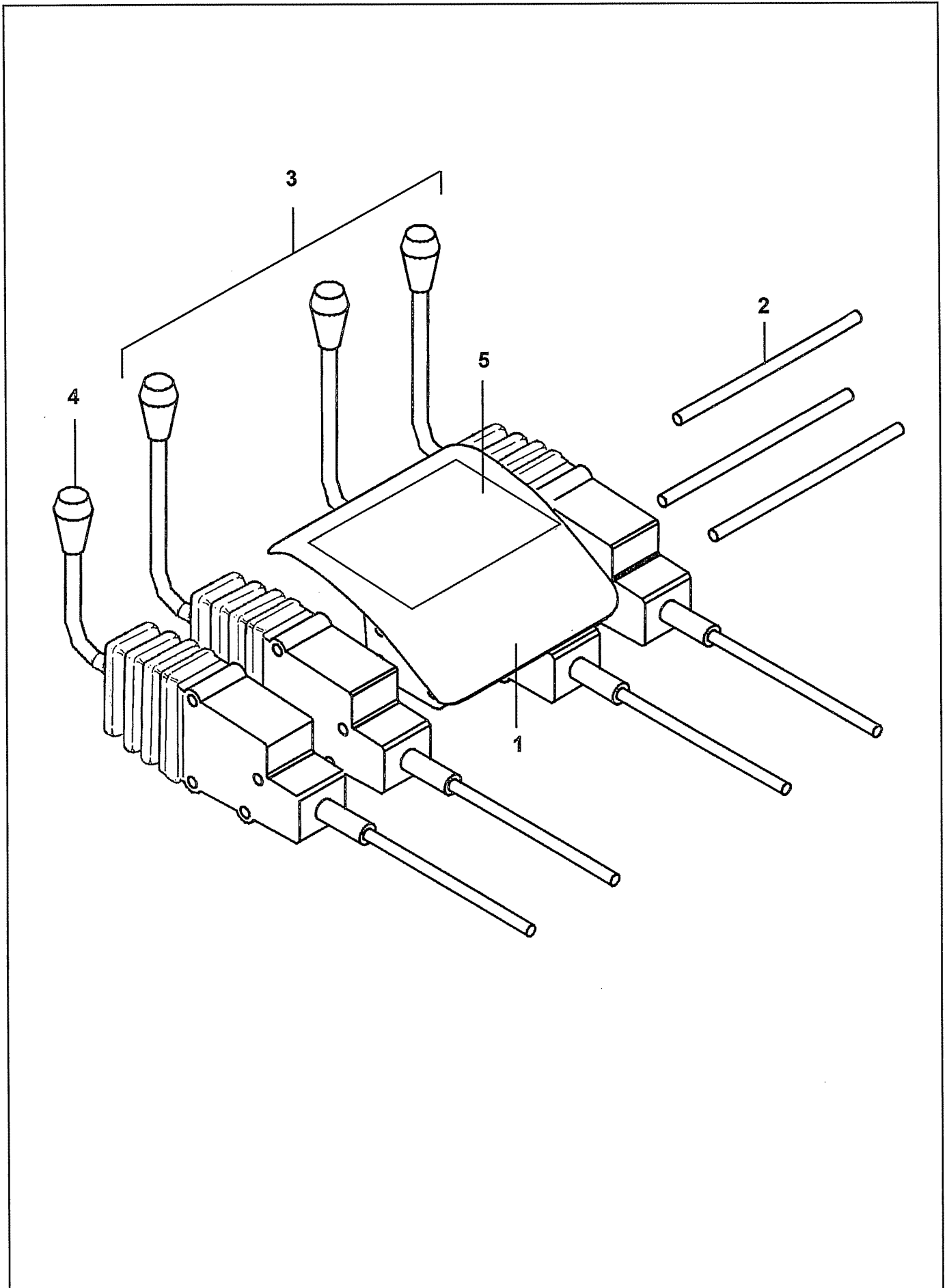
*MAIN PART IN GROUP, RELATED PARTS HAVE SAME REFERENCE NUMBER



SEE PAGE	
A	7-1
	7-3
B	7-1
	7-3
C	7-1
	7-3
D	7-1
	7-3
E	7-1
	7-3
F	7-1
	7-3
G	4-3
	7-1

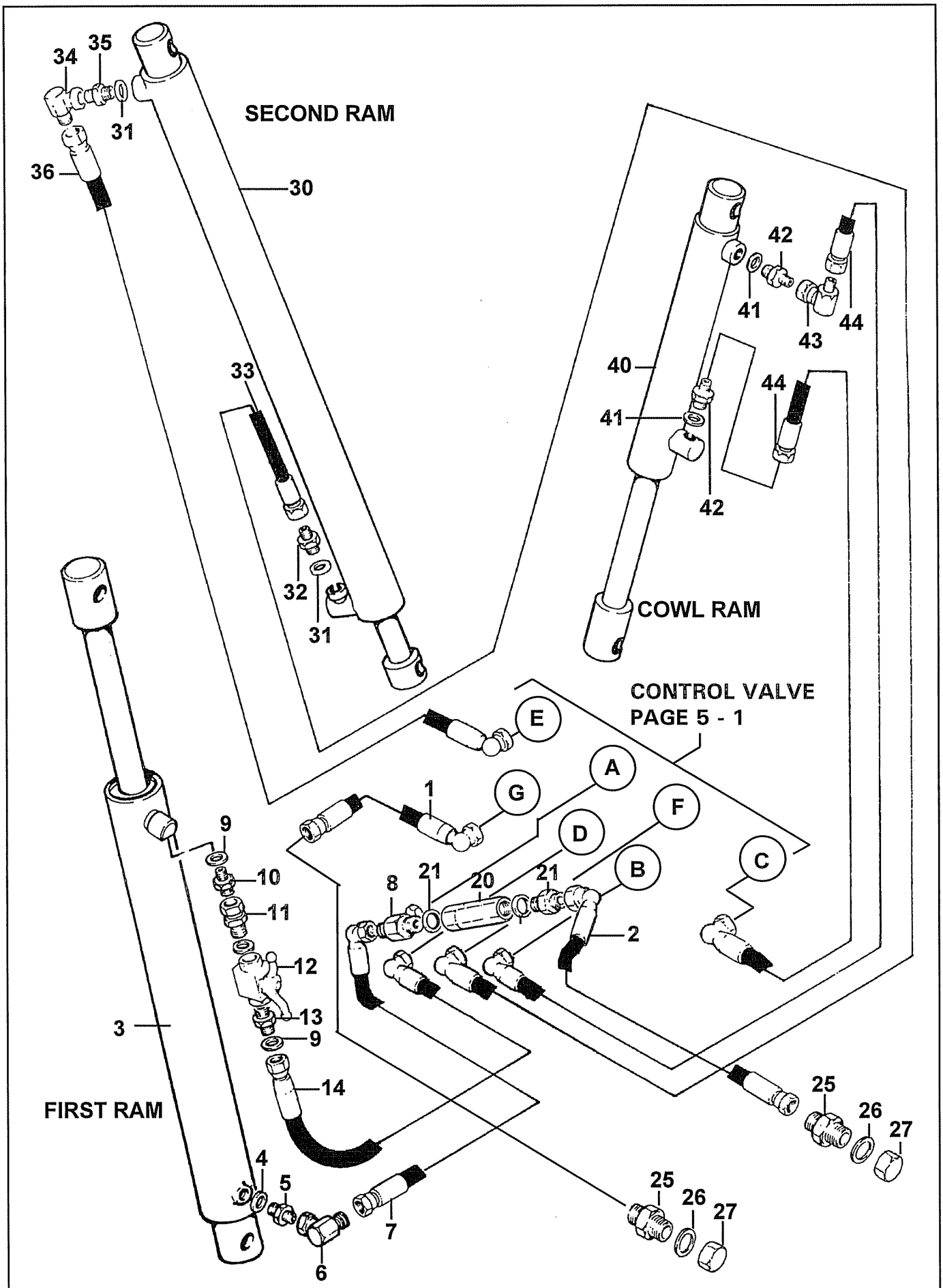
REF	PART NO	DESCRIPTION	QTY
76.470.01 CONTROL VALVE ASSEMBLY			
01	05.282.01	SPRING WASHER 8MM PLATED	3
01	05.291.06	BOLT M8 X 55MM PLATED	3
*01	8130417	ARMHEAD CONTROL	1
01	9343032	M5 X 16 SKT.HD. CAPSCREW BZP	6
02	05.290.04	BONDED SEAL 3/8"BSP	8
03	05.124.01	ADAPTOR 3/8" BSP X 3/8" BSP	2
04	04.056.16	ADAPTOR F/M/M 3/8 X 3/8 X 1/4 BSP	1
05	05.290.02	BONDED SEAL 1/4"BSP	1
06	05.146.12	Q/R COUPLING 1/4" BSP MALE	1
07	01.099.01	ADAPTOR 3/8 BSP X 1/4" BSP	3
08	03.028.16	RESTRICTOR 3/8X1/4"BSP 1.00MM	1
09	03.028.08	RESTRICTOR 3/8" X 1/4"BSP 1.27	1

***MAIN PART IN GROUP, RELATED PARTS HAVE SAME REFERENCE NUMBER**



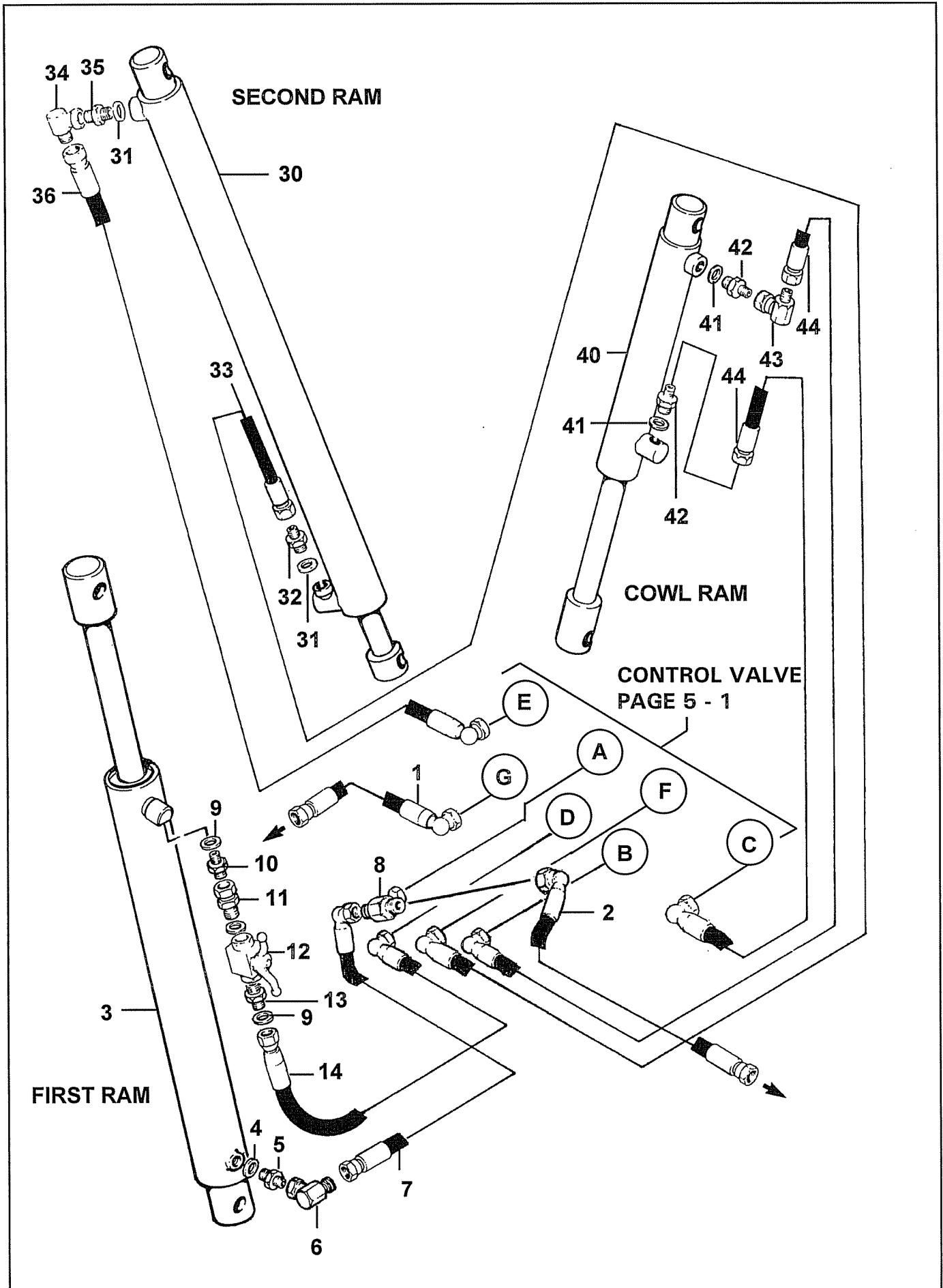
REF	PART NO	DESCRIPTION	QTY
76.480.03 CABLE ASSEMBLY TWIN PUMP			
01	42256.01	ARM REST - 4 LEVER	1
*02	04.282.01	STUD M8 X 196MM PLATED	3
02	05.281.01	FLAT WASHER 8MM PLATED	6
02	05.286.01	NUT M8 PLATED	3
02	05.948.07	WING NUT M8 - PLATED	3
03	04.265.28	PIN	1
03	04.265.82	REMOTE CONTROL ASSY LEVER BLK 2.5M	3
03	7115158	SPACER FOR CABLE ASSY	3
03	7115160	PIN	3
04	04.265.44	REMOTE CONTROL ASSY LEVER RED 3.0M	1
05	09.916.29	DECAL - LEVER OP	1
76.480.04 CABLE ASSY SINGLE PUMP			
01	42256.02	ARM REST - 3 LEVER	1
*02	04.265.25	BOLT M8 X 140	3
02	05.281.01	FLAT WASHER 8MM PLATED*	6
02	05.286.01	NUT M8 PLATED*	3
02	05.948.07	WING NUT M8 - PLATED	3
03	04.265.82	R.C.ASSY 2.5M LONG BLK	3
03	7115158	SPACER FOR CABLE ASSY	3
03	7115160	PIN	3
05	09.916.30	DECAL - LEVER OP	1

*MAIN PART IN GROUP, RELATED PARTS HAVE SAME REFERENCE NUMBER



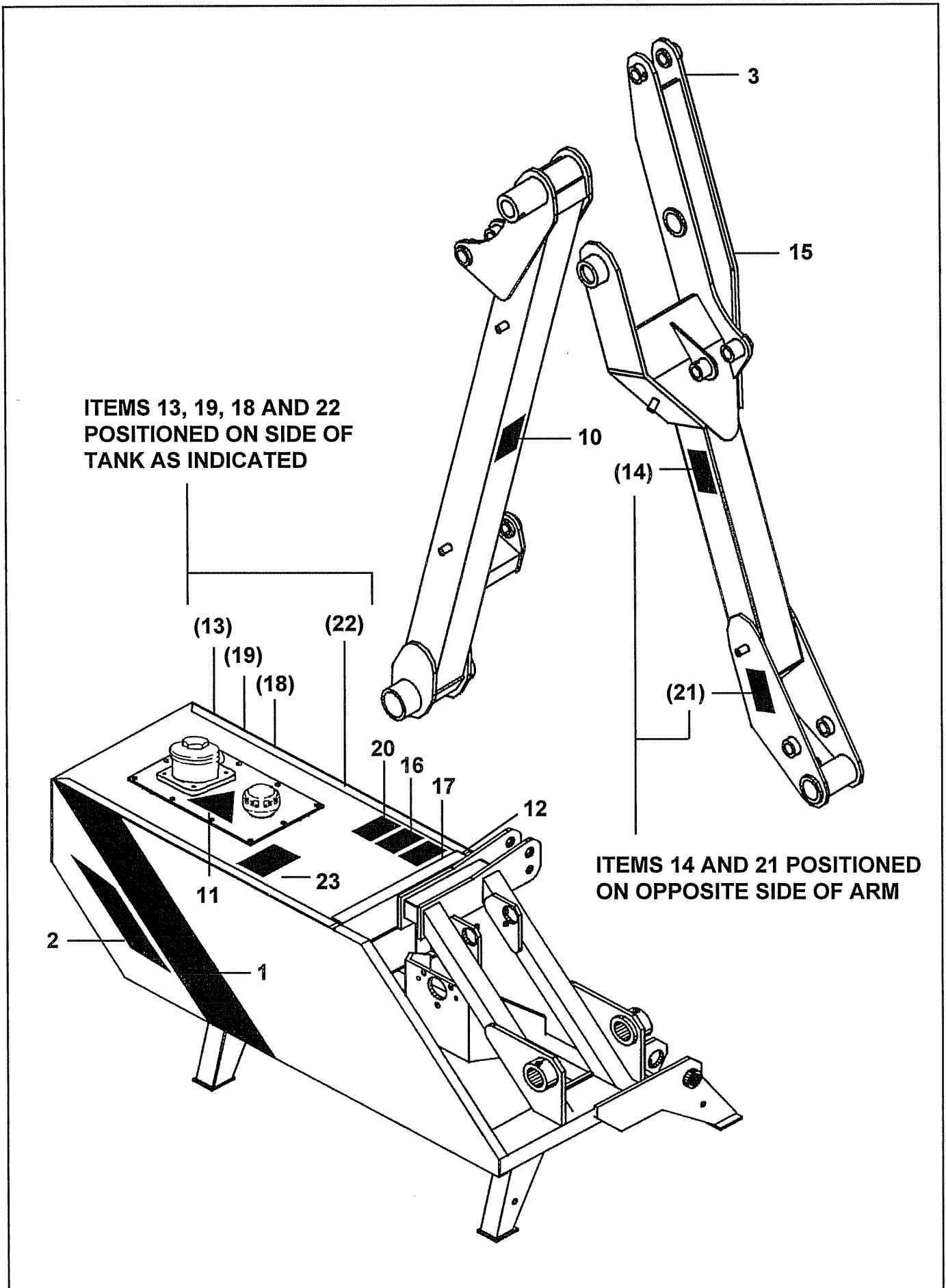
REF	PART NO	DESCRIPTION	QTY
76.479.02 FIRST RAM CIRCUIT S.PUMP			
01	10.004.30	HOSE 3/8"BSP STX90 S.SEAL 2000	1
02	10.004.30	HOSE 3/8"BSP STX90 S.SEAL 2000	1
03	04.271.02	SEAL KIT (04271 RET. RAMS)	0
03	04.271.10	RAM ASSY D/A 70MM BORE X 670MM	1
03	05.201.07	TENSION PIN 8MM X 45MM PLATED	0
04	05.290.04	BONDED SEAL 3/8"BSP	1
05	03.028.08	RESTRICTOR 3/8" X 1/4"BSP 1.27	1
06	05.835.04	ADAPTOR - SWIVEL 90 1/4"BSP MF	1
07	10.002.30	HOSE 1/4"BSP STX90 S.SEAL 2000	1
08	04.056.04	TEE ADAPTOR 3/8"X 1/4"X 3/8"	1
09	05.290.04	BONDED SEAL 3/8"BSP	3
10	05.124.01	ADAPTOR 3/8" BSP X 3/8" BSP	1
11	02.714.01	ADAPTOR-SWIVEL ST 3/8BSP M/F	1
12	08.200.01	VALVE - ISOLATING 3/8" BSP	1
13	01.099.01	ADAPTOR 3/8BSP X1/4BSP	1
14	10.002.30	HOSE 1/4"BSP STX90 S.SEAL 2000	1
20	06.282.01	NON-RETURN VALVE - 3/8" BSP	1
21	05.290.04	BONDED SEAL 3/8"BSP	2
22	05.124.01	ADAPTOR 3/8" BSP X 3/8" BSP	1
25	05.225.01	ADAPTOR-RDCG.1/2"BSP X 3/8"BSP	2
26	05.290.05	BONDED SEAL 1/2"BSP	2
27	05.300.03	PLUG-PLASTIC 1/2"BSP FEMALE	2
76.468.01 RAM CIRCUIT - SECOND RAM			
30	04.156.13	SEAL KIT (04156 D/A RAMS)	-
*30	04.156.22	RAM ASSY-D/A 60MM BORE X 645MM	1
31	05.290.04	BONDED SEAL 3/8"BSP	2
32	03.028.12	RESTRICTOR 3/8" X 1/4BSP 1.70	1
33	10.002.38	HOSE 1/4"BSP STX90 S.SEAL 2800	1
34	05.835.04	ADAPTOR - SWIVEL 90 1/4"BSP MF	1
35	01.099.01	ADAPTOR 3/8BSP X1/4BSP	1
36	10.002.34	HOSE 1/4"BSP ST X 90 S.SEAL 2400	1
76.469.01 RAM CIRCUIT - COWL RAM			
40	09.982.01	SEAL KIT for RAM ASSY 09.982.06	-
*40	09.982.17	RAM ASSY-D/A 60MM BORE X 430MM	1
40	05.201.11	TENSION PIN 5MM X 45MM PLATED	1
40	05.953.01	GREASE NIPPLE M6	2
41	05.290.04	BONDED SEAL 3/8"BSP	2
42	03.028.08	RESTRICTOR 3/8" X 1/4"BSP 1.27	2
43	05.835.04	ADAPTOR - SWIVEL 90 1/4"BSP MF	1
44	10.002.51	HOSE 1/4"BSP ST X 90 S.SEAL 4100	2

*MAIN PART IN GROUP, RELATED PARTS HAVE SAME REFERENCE NUMBER



REF	PART NO	DESCRIPTION	QTY
76.479.01 RAM CIRCUIT - FIRST RAM			
01	10.004.18	HOSE 3/8" BSP X 90 S.SEAL 900	1
02	10.004.22	HOSE 3/8" BSP C 90 S.SEAL 1200	1
03	04.271.02	SEAL KIT (04271 RET. RAMS)	1
*03	04.271.10	RAM ASSY D/A 70MM BORE C 670MM	1
03	05.201.11	TENSION PIN 5MM X 45MM PLATED	1
04	05.290.04	BONDED SEAL 3/8" BSP	1
05	03.028.08	RESTRICTOR 3/8" X 1/4" BSP 1.27	1
06	05.835.04	ADAPTOR - SWIVEL 90 1/4" BSP MF	1
07	10.002.30	HOSE 1/4" BSP ST X 90 S.SEAL 2000	1
08	04.056.04	TEE ADAPTOR 3/8" X 1/4" X 3/8"	1
09	05.290.04	BONDED SEAL 3/8" BSP	3
10	05.124.01	ADAPTOR 3/8" BSP X 3/8" BSP	1
11	02.714.01	ADAPTOR SWIVEL ST 3/8 BSP M/F	1
12	08.200.01	VALVE - ISOLATING 3/8" BSP	1
13	01.099.01	ADAPTOR 3/8 BSP X 1/4 BSP	1
14	10.002.30	HOSE 1/4" BSP ST X 90 S.SEAL	1
76.468.01 RAM CIRCUIT - SECOND RAM			
30	04.156.13	SEAL KIT (04156 D/A RAMS)	-
*30	04.156.22	RAM ASSY-D/A 60MM BORE C 645MM	1
31	05.290.04	BONDED SEAL 3/8" BSP	2
32	03.028.12	RESTRICTOR 3/8" X 1/4" BSP 1.70	1
33	10.002.38	HOSE 1.4" BSP ST X 90 S.SEAL	1
34	05.835.04	ADAPTOR - SWIVEL 90 1/4" BSP MF	1
35	01.099.01	ADAPTOR 3/8 BSP X 1/4 BSP	1
36	10.002.34	HOSE 1/4" ST X 90 S.SEAL 2400	1
76.469.01 RAM CIRCUIT - COWL RAM			
40	09.982.01	SEAL KIT FOR RAM ASSY 09.982.06	-
*40	09.982.17	RAM ASSY - D/A 60MM BORE X 430MM	1
40	05.201.11	TENSION PIN 5MM X 45MM PLATED	1
40	05.953.01	GREASE NIPPLE M6	2
41	05.290.04	BONDED SEAL 3/8" BSP	2
42	03.028.08	RESTRICTOR 3/8" X 1/4" BSP 1.27	2
43	05.835.04	ADAPTOR - SWIVEL 90 1/4" BSP MF	1
44	10.002.51	HOSE 1/4" BSP ST X 90 S.SEAL 4100	2

*MAIN PART IN GROUP, RELATED PARTS HAVE SAME REFERENCE NUMBER



REF	PART NO	DESCRIPTION	QTY
76.471.03 DECALS			
01	42626.01	DECAL - BOMFORD LH	1
02	09.980.51	DECAL - B427	1
03	09.843.04	DECAL - LIFT POINT 750 KG	1
04	09.810.01	DECAL-GREASE (8 HOURS)	9
74.912.04/05 DECALS			
10	08.632.01	DECAL - TRANSPORT	1
11	09.030.01	DECAL - OIL FILTER	1
12	09.811.01	DECAL - MAX PTO SPEED 540	-
12	09.811.04	DECAL - MAX PTO SPEED 540 ACW	1
13	09.821.01	DECAL - READ INSTRUCTION BOOK	1
14	09.821.02	DECAL - STAY CLEAR O'HD CABLES	1
15	09.821.03	DECAL - DON'T STAND UNDER ARMS	1
16	09.821.07	DECAL - RESIDUAL PRESSURE	1
17	09.821.09	DECAL - HOT SURFACE	1
18	09.821.10	DECAL - KEEP NUTS TIGHT	1
19	09.821.16	DECAL - KEEP OUT ZONE	1
20	09.821.20	DECAL - SHAFT ENTANGLEMENT	1
21	09.821.23	DECAL - PINCH POINT	1
22	09.845.01	DECAL - APPROVED OILS	1
23	09.846.01	DECAL - OIL FILTER CHANGE	1
*-	09.844.02	DECAL - SINGLE PUMP FLOW	

* SINGLE PUMP MACHINES ONLY.