

PM 342

B415
HEDGE &
GRASS TRIMMER

Parts Manual

For best performance

USE ONLY GENUINE BOMFORD SERVICE PARTS

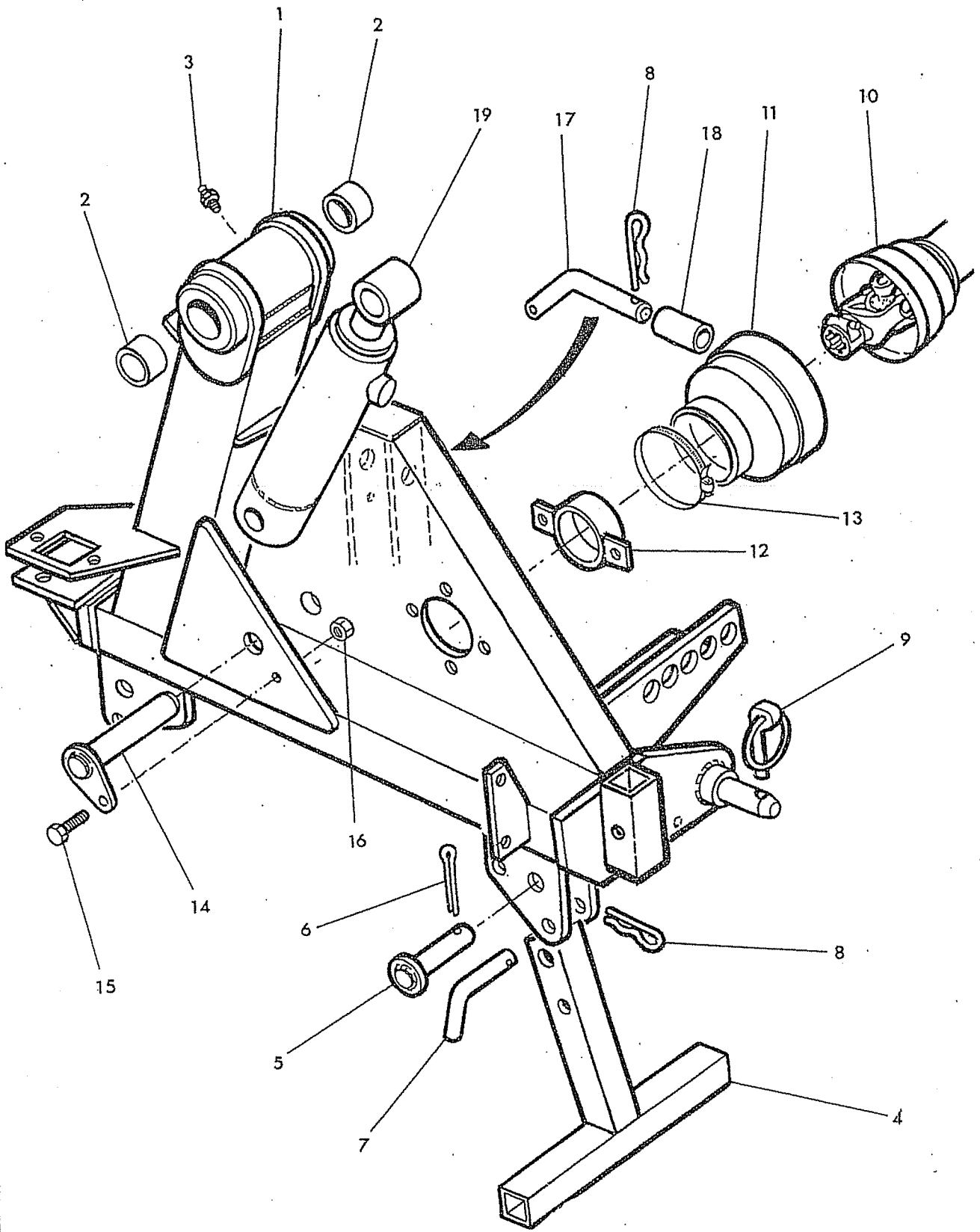
To be assured of the latest design improvements, purchase your 'Genuine Replacements' from the 'Original Equipment Manufacturer'

Bomford Turner Ltd
Through your local Dealer or Stockist

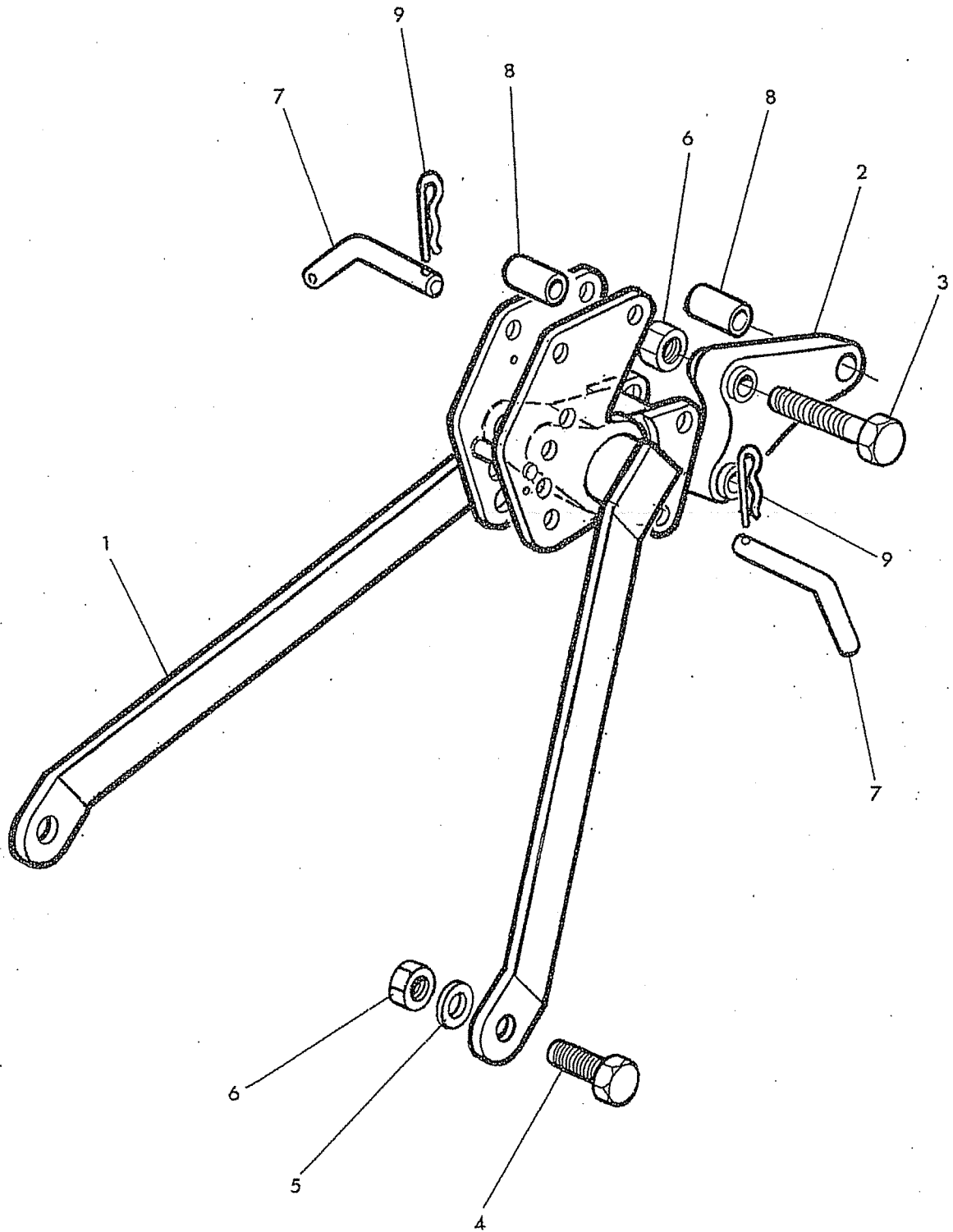
Always quote:

- *Machine type*
- *Serial number*
- *Part number*

Design improvements may alter some of the parts listed in the manual – the latest part will always be supplied when it is interchangeable with an earlier one.



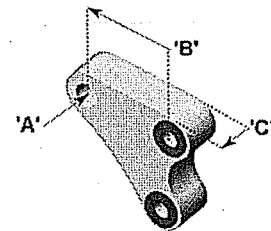
Ref.	Part No.	Qty.	Description
MAIN FRAME			
1	41197.06	1	Main frame - Rear mount R.Hand
	41197.05	1	Main frame - Front mount R.Hand Rear Mount L.Hand
2	71 01 134	2	Bush
3	09 01 121	1	Greaser 1/8" BSP straight
4	41203.02	2	Stand leg
5	10 90 043	2	Leg pivot pin
6	95 01 326	2	Split pin dia 5 x 32
7	43020.02	2	Leg stowage pin
8	04 31 105	3	Spring cotter
9	04 31 217	2	Linch pin
10	74 90 250	1	P.T.O. shaft
11	71 11 038	1	Shaft guard
12	71 91 075	1	Guard mounting collar
13	09 04 114	1	Hose clip
14	41267.02	1	Pin - lift ram base
15	93 13 065	1	Setscrew M10 x 30
16	91 43 005	1	Self locking nut M10
17	71 92 026	1	Top link pin
18	14 67 023	1	Sleeve - cat 2
19	41014.08	1	Lift ram assembly



STABILISER

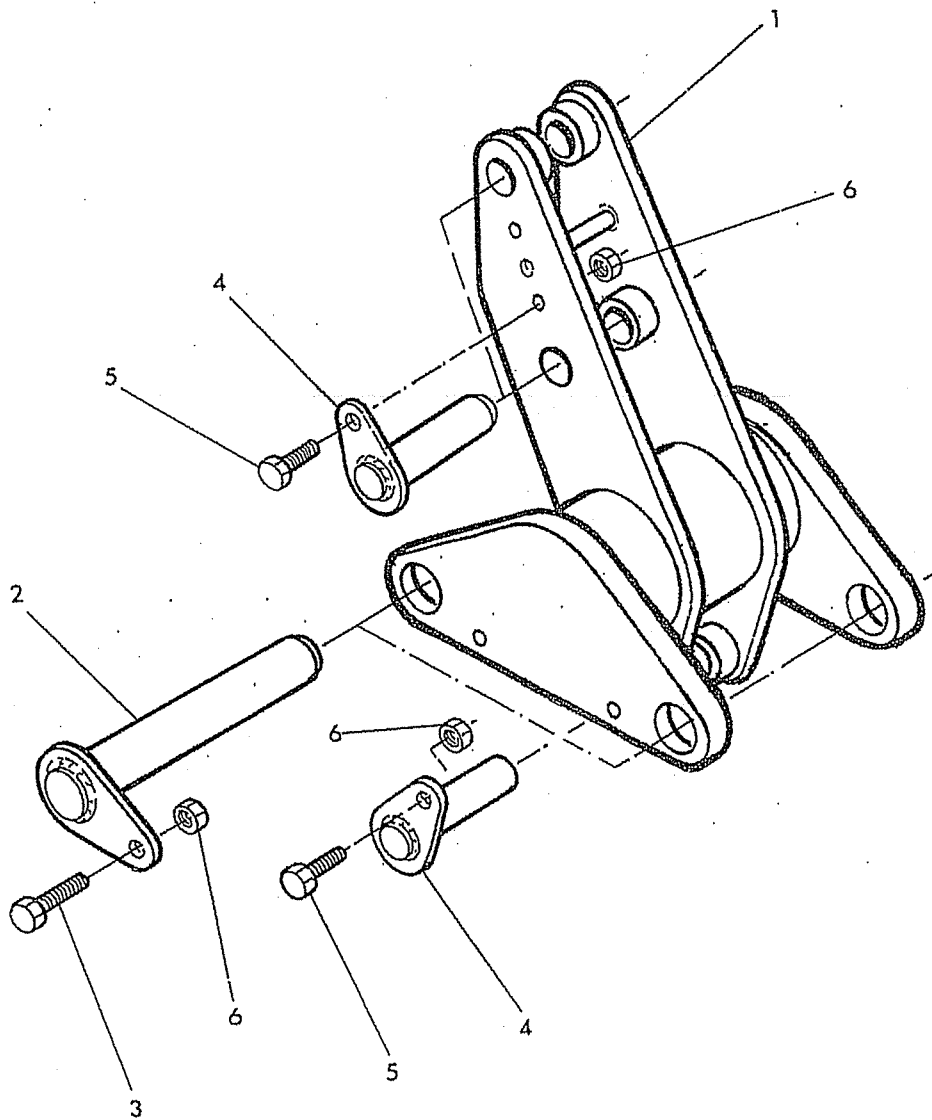
Ref.	Part No.	Qty.	Description
STABILISER			
1	41205.02	1	Stabiliser
2	74 99 501	1	Stabiliser Tongue
3	92 13 228	2	Bolt
4	93 13 118	2	Setscrew
5	91 00 208	2	Spring Washer
6	91 43 008	4	Self-Locking Nut
7	71 92 026	2	Top Link Pin
8	14 67 023	2	Sleeve - Cat 2
9	04 31 105	2	Spring Cotter

'A' – Hole diameter
 'B' – Hole center spacing
 'C' – Stabiliser width

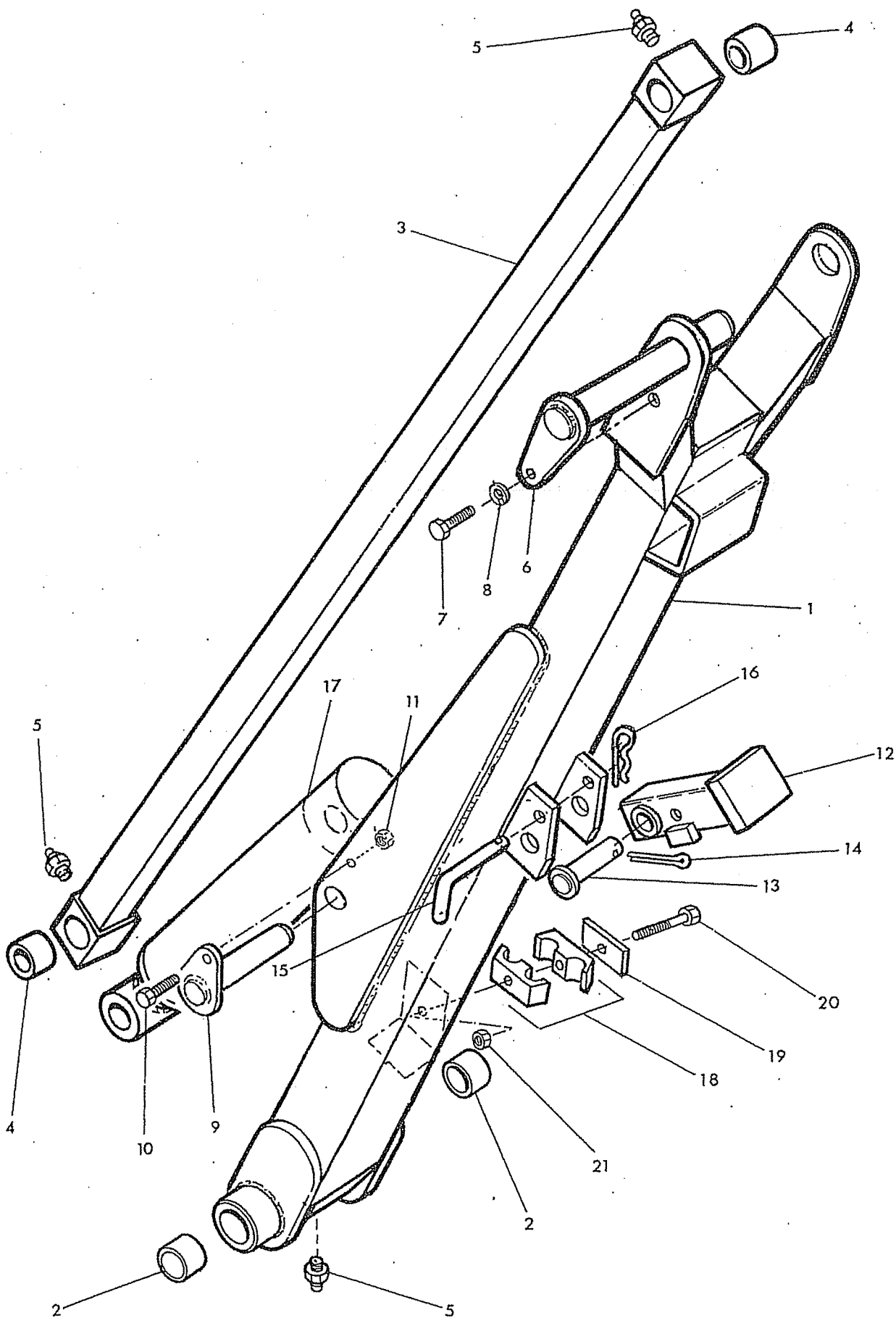


(Dimensions in mm)

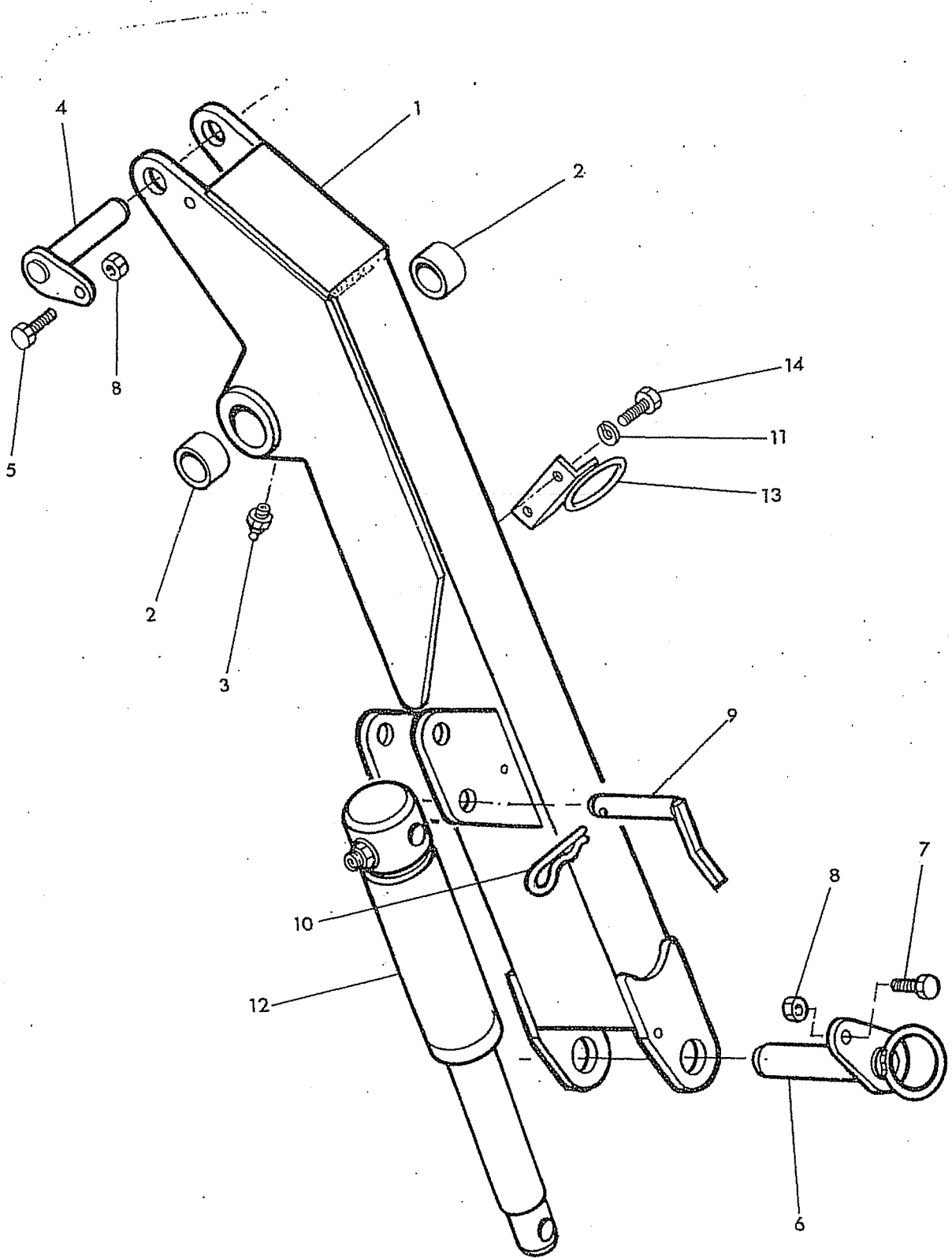
Part No.	Description	'A'	'B'	'C'
7499501	Tongue: Standard – Cat. 2	27	107	45
7499500	Tongue: Special – Cat. 2 narrow	27	107	35
7499502	Tongue: Special – Cat. 2 long	27	217	45
7499503	Tongue: Special – Cat. 3 long	32	217	45
7499504	Tongue: Special – Cat. 1	19.5	107	35
7499505	Tongue: Special – Cat. 2 for Case TX tractors	25	120	50
7499506	Tongue: Special – Cat. 3	32	107	45
7499507	Tongue: Special – Cat. 3 narrow	32	107	30
7499508	Tongue: Special – for some Ford tractors	28.6	107	45
7499262	Tongue: Special – Cat. 2 extra long for Aebi	27	260	45
7499510	Tongue: Special – Cat. 2	27	107	40



Ref.	Part No.	Qty.	Description
ROCKER ASSEMBLY			
1	41861.02	1	Rocker
2	41268.02	2	Pivot pin
3	93 13 075	2	Setscrew M10 x 35
4	41691.02	3	Pivot pin
5	93 13 065	3	Setscrew M10 x 30
6	91 43 005	5	Self locking nut M10



Ref.	Part No.	Qty.	Description
MAIN ARM ASSEMBLY			
1	41199.06	1	Main arm – Rear mount R.Hand
	41199.05	1	Main arm – Front mount R.Hand – Rear mount L.Hand
2	71 01 134	2	Bush
3	41200.02	1	Tension link
4	71 05 050	2	Bush
5	09 01 121	3	Greaser 1/8" BSP straight
6	41268.02	1	Pivot pin – dipper arm
7	98 13 075	1	Setscrew M10 x 35
8	91 00 205	1	Spring washer dia10
9	41691.04	1	Pivot pin – reach ram base
10	93 132 065	1	Setscrew M10 x 30
11	91 43 005	1	Self locking nut M10
12	43021.05	1	Transport prop
13	43114.01	1	Pivot pin – prop
14	95 01 326	1	Split pin dia 5 x 32
15	43115.01	1	Stowage pin
16	04 31 105	1	Spring cotter
17	41014.09	1	Reach ram
18	06.430.09	2	Hose clamp
19	06.418.03	2	Clamp plate
20	92 13 134	2	Bolt M8 x 65
21	91 43 004	2	Self locking nut M8



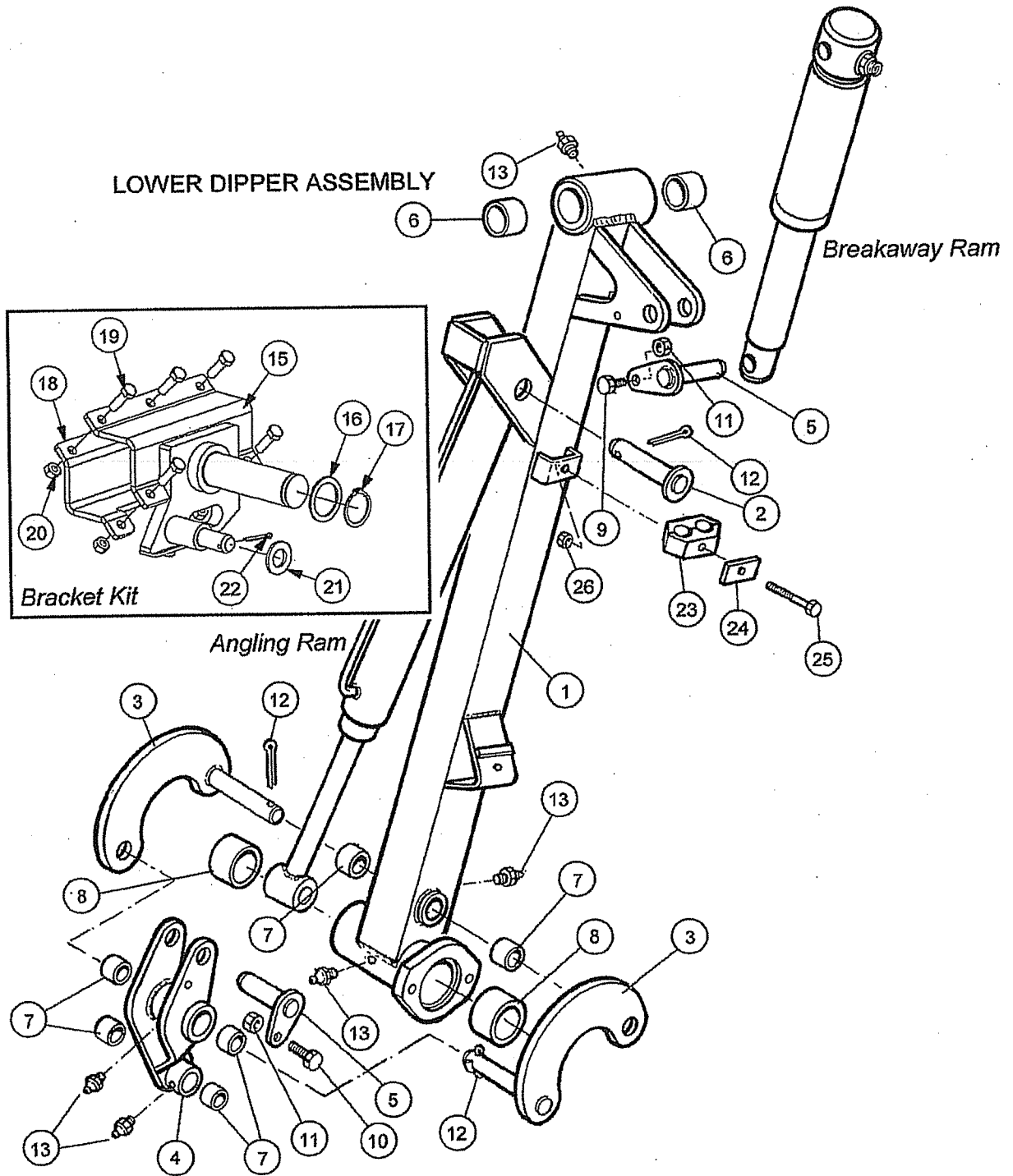
Ref.	Part No.	Qty.	Description
DIPPER UPPER ASSEMBLY			
1	41201.04	1	Dipper upper R.Hand
	41201.03	1	Dipper upper L.Hand
2	71 01 134	2	Bush
3	09 01 121	1	Greaser 1/8" BSP straight
4	41267.05	1	Pivot pin – tension link
5	93 13 055	1	Setscrew M10 x 25
6	41269.01	1	Pivot pin – dipper lower
7	93 132 075	1	Setscrew M10 x 35
8	91 43 005	2	Self locking nut M10
9	71 91 036	1	Pivot pin – breakaway ram base
10	04 31 105	1	Spring cotter
11	91 00 204	2	Spring washer dia8
12	41322.02	1	Breakaway ram
13	43158.01	1	Hose loop
14	93 13 044	2	Setscrew M8 x 20

LOWER DIPPER ARM ASSEMBLY

Modules:

7490710 – Lower Dipper Arm Assembly L/H Build

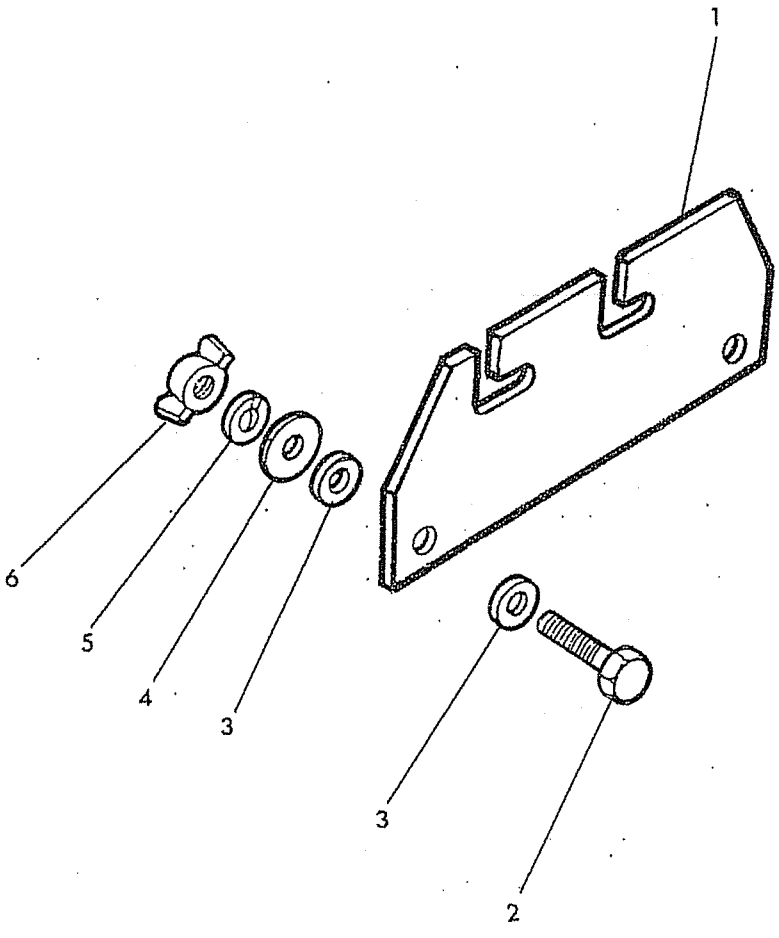
7490711 – Lower Dipper Arm Assembly R/H Build



LOWER DIPPER ARM ASSEMBLY

REF.	QTY.	PART No.	DESCRIPTION
		7490710	LOWER DIPPER ARM ASSEMBLY - L/H Build
		7490711	LOWER DIPPER ARM ASSEMBLY - R/H Build
1	1	41202.01	LOWER DIPPER ARM - L/H Build
	1	41202.02	LOWER DIPPER ARM - R/H Build (<i>not illustrated</i>)
2	1	7191041	PIN - ANGLE RAM BASE
3	2	41206.01	RADIUS ARM
4	1	41207.01	SLAVE LINK - L/H Build
	1	41207.02	SLAVE LINK - R/H Build (<i>not illustrated</i>)
5	2	41270.01	PIN - ANGLE RAM ROD
6	2	21149.01	BUSH
7	6	7214060	BUSH
8	2	1090001	BUSH
9	1	9313065	SETSCREW
10	1	9313055	SETSCREW
11	2	9143005	SELF-LOCKING NUT
12	3	9501406	COTTER PIN
13	5	0901121	GREASE NIPPLE
14	1	7490812	BRACKET KIT - L/H Build
	1	7490813	BRACKET KIT - R/H Build
15	1	41261.08	PIVOT BRACKET - L/H Build
	1	41261.04	PIVOT BRACKET - R/H Build
16	1	1090037	RETAINING WASHER
17	1	0406247	EXTERNAL CIRCLIP
18	1	21873.01	CLAMP PLATE
19	5	9313086	SETSCREW
20	5	9143006	SELF-LOCKING NUT
21	1	0100109	FLAT WASHER
22	1	9501406	COTTERPIN
23	2	06.430.09	HOSE CLAMP
24	2	06.418.03	CLAMP PLATE
25	2	9213134	BOLT
26	2	9143004	SELF-LOCKING NUT

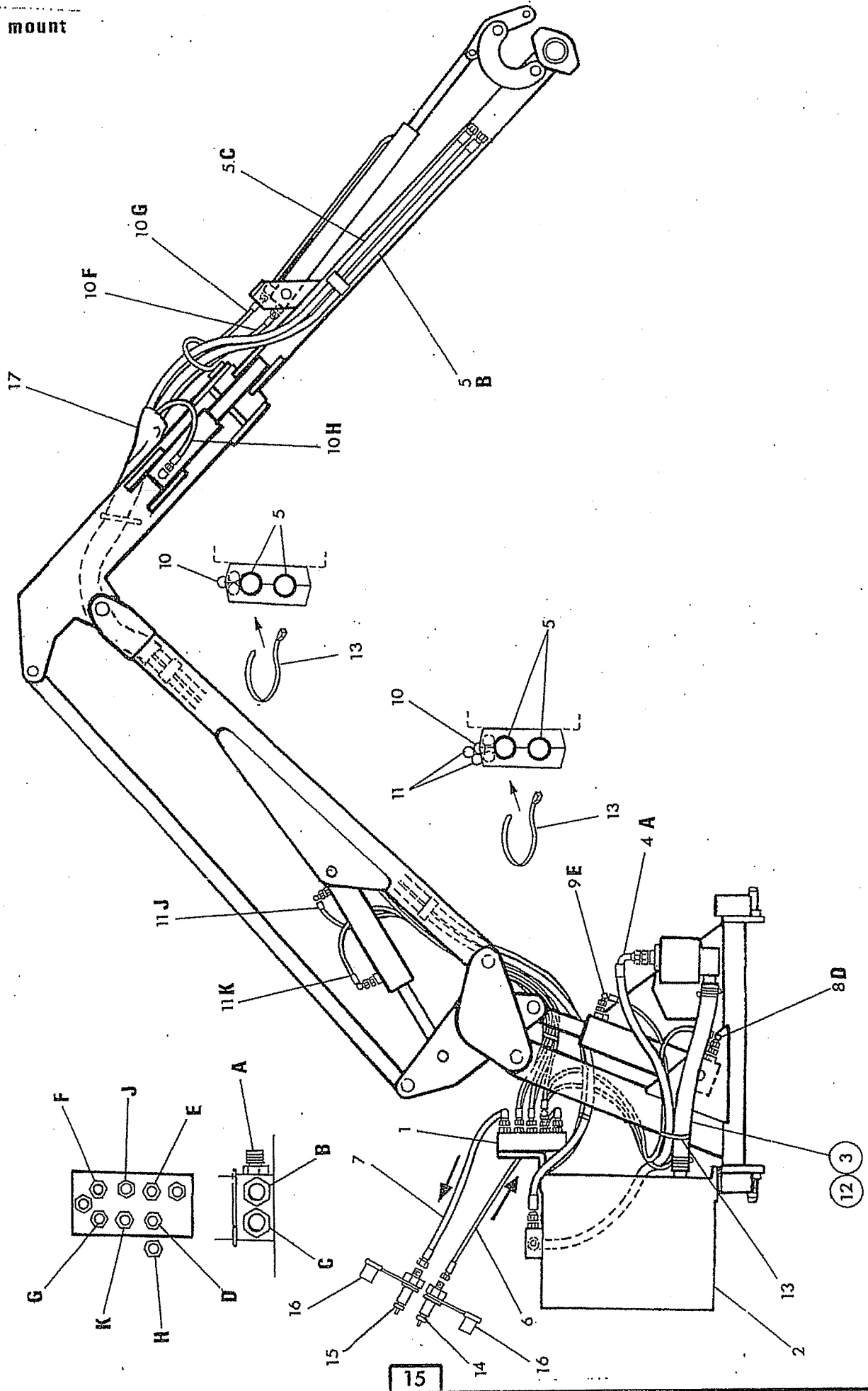
} *comprises of:*



Ref.	Part No.	Qty.	Description
CONTROL MOUNTING ASSEMBLY			
1	03.583.01	1	Bracket
2	93 13 094	2	Setscrew M8 x 45
3	03.152.01	4	Rubber washer
4	91 00 104	2	Plain washer dia 8
5	91 00 204	2	Spring washer dia 8
6	91 93 004	2	Wingnut M8

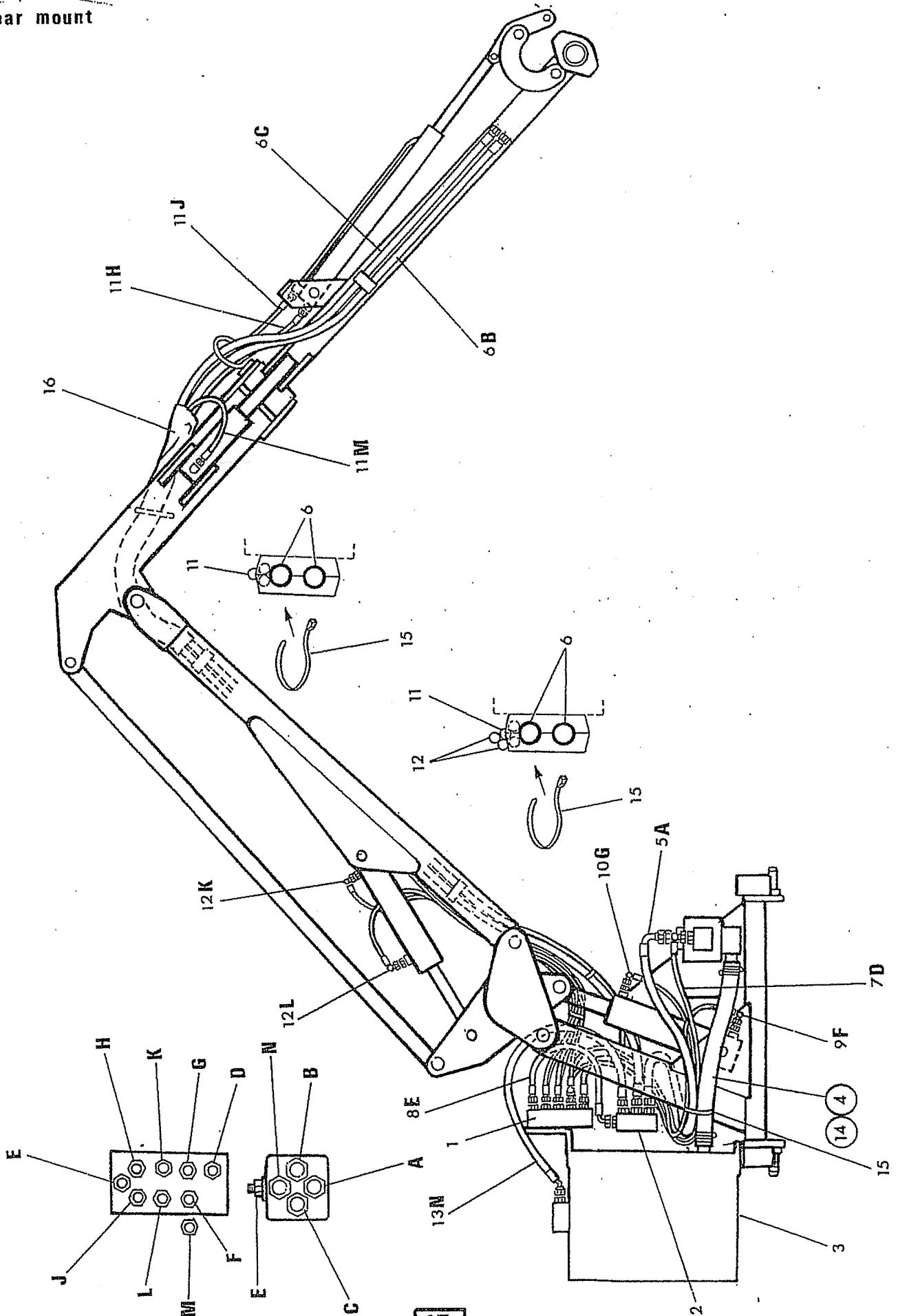
HOSE INSTALLATION Si

Rear mount



Ref.	Part No.	Qty.	Description
HOSE INSTALLATION S.I. Rear mount			
1			Control valve
3			Tank
3	85 01 273	1	Hose 1 1/4" bore x 27" long
4	42727.22	1	Hose M26 x 1200 long – pump to R.C.Valve
5	42726.55	2	Hose M26 x 4500 long – flail motor
6	42721.30	1	Hose M18 x 2000 long – supply
7	42724.30	1	Hose M22 x 2000 long - return
8	42718.22	1	Hose M14 x 1200 long – lift base
9	42718.21	1	Hose M14 x 1100 long – lift gland
10	42717.45	3	Hose M14 x 3500 long – angle and breakaway
11	42718.24	2	Hose M14 x 1400 long – reach
12	09 04 107	4	Hose clip
13	71 96 045	as reqd	Hose tie 300 long
14	85 90 218	1	Quick connector – male
15	85 90 222	1	Quick connector – male
16	85 90 218	2	Dust cap
17	42374.20	1	Hose sleeve

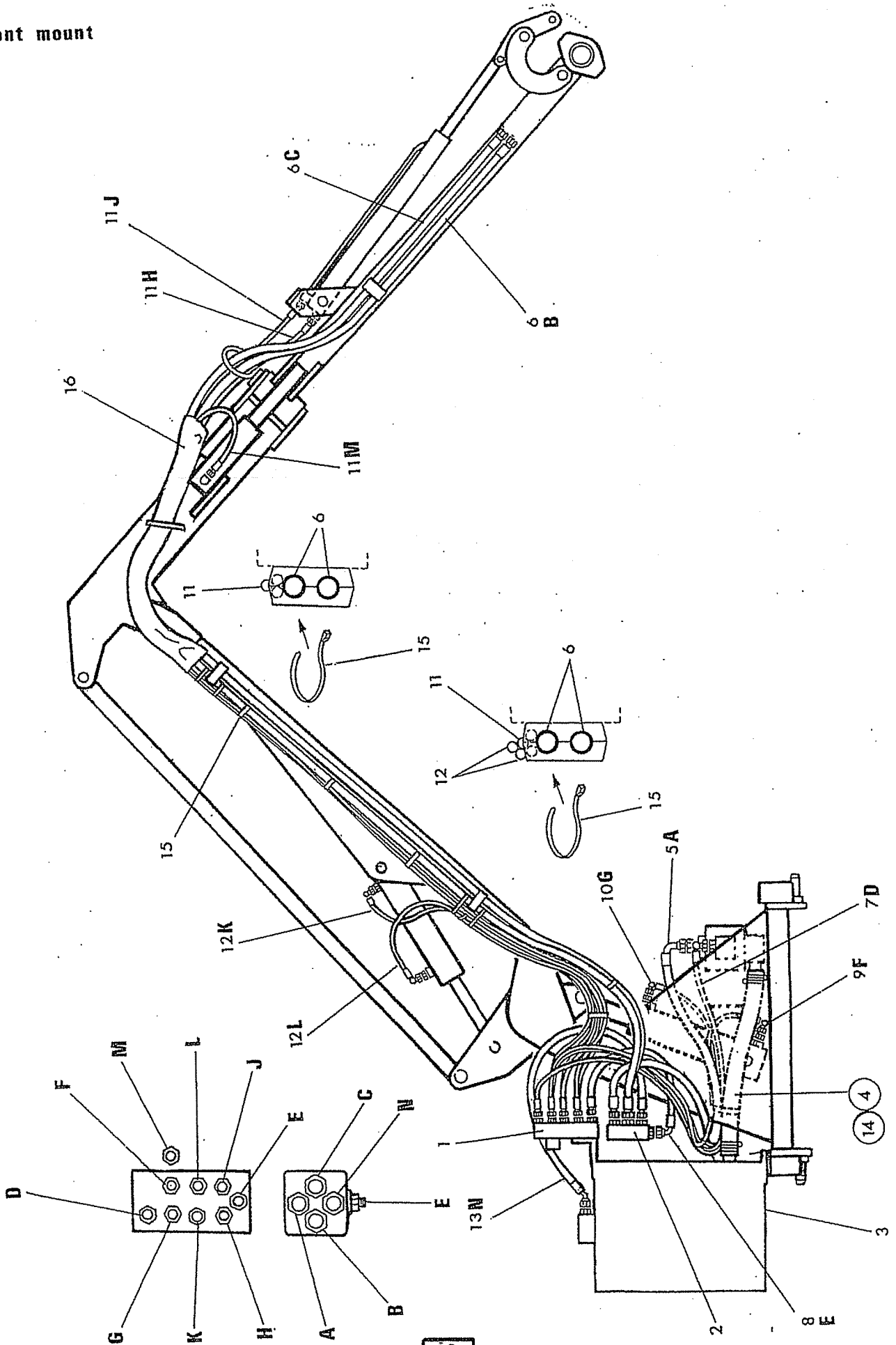
Rear mount



REF.	QTY.	PART NO.	DESCRIPTION
		7441408	HOSE KIT - PA41 Electric & Prop. Ti Rear Mount
1			Control Valve
2			Rotor Control Valve
3			Tank
4	1	8501273	HOSE - 1 1/4" Bore x 27" Long
5	2	42727.22	* HOSE - M26 FS/90F x 1200mm Pump Pressure
6	1	42726.55	* HOSE - M26 FS/FS x 4500mm Flail Hose
7	2	42721.26	* HOSE - M14 FS/90F x 1600mm Valve Supply
8	1	42724.12	* HOSE - M22 FS/90F x 600mm Valve Return
9 +10	2	42718.26	* HOSE - M18 FS/90F x 1600mm Lift Base & Gland
11	3	42717.49	* HOSE - M14 FS/FS x 3900mm Angle & Breakaway
12	2	42718.28	* HOSE - M14 FS/90F x 1800mm Reach
13	1	42728.14	* HOSE - M26 FS/135F x 700mm Flail Return
14	4	0904107	Hose Clip
15	<i>as req'd</i>	7196045	Hose Tie
16	1	42374.20	Hose Sleeve

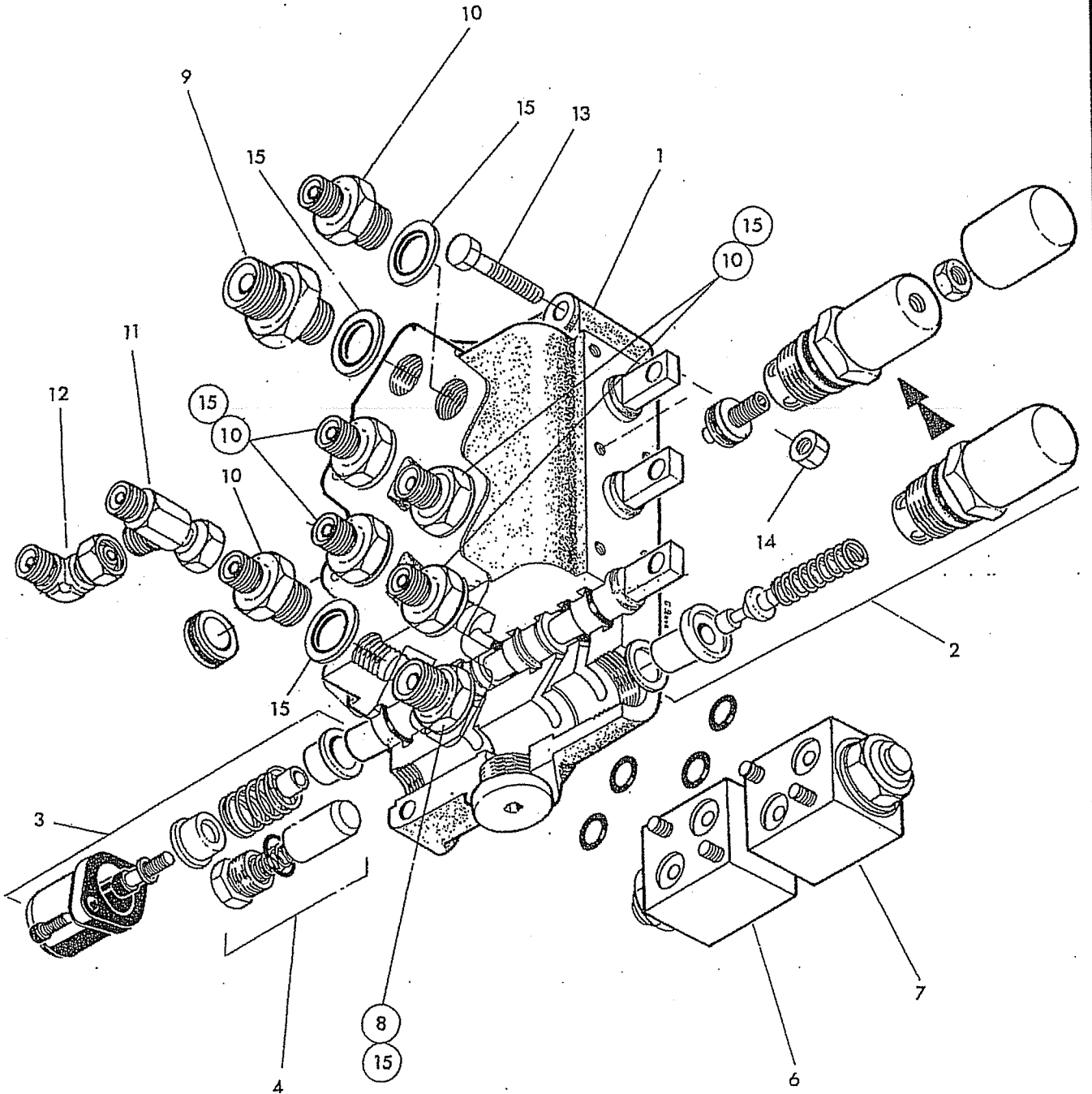
* Component parts of Hose Kit 7441408

Front mount



REF.	QTY.	PART NO.	DESCRIPTION
		7441408	HOSE KIT - PA41 Electric & Prop. Ti Front Mount
1			Control Valve
2			Rotor Control Valve
3			Tank
4	1	8501273	HOSE - 1 1/4" Bore x 27" Long
5	2	42727.22	* HOSE - M26 FS/90F x 1200mm Pump Pressure
6	1	42726.55	* HOSE - M26 FS/FS x 4500mm Flail Hose
7	2	42721.26	* HOSE - M14 FS/90F x 1600mm Valve Supply
8	1	42724.12	* HOSE - M22 FS/90F x 600mm Valve Return
9+10	2	42718.26	* HOSE - M18 FS/90F x 1600mm Lift Base & Gland
11	3	42717.49	* HOSE - M14 FS/FS x 3900mm Angle & Breakaway
12	2	42718.28	* HOSE - M14 FS/90F x 1800mm Reach
13	1	42728.14	* HOSE - M26 FS/135F x 700mm Flail Return
14	4	0904107	Hose Clip
15	as req'd	7196045	Hose Tie
16	1	42374.20	Hose Sleeve

* Component parts of Hose Kit 7441408



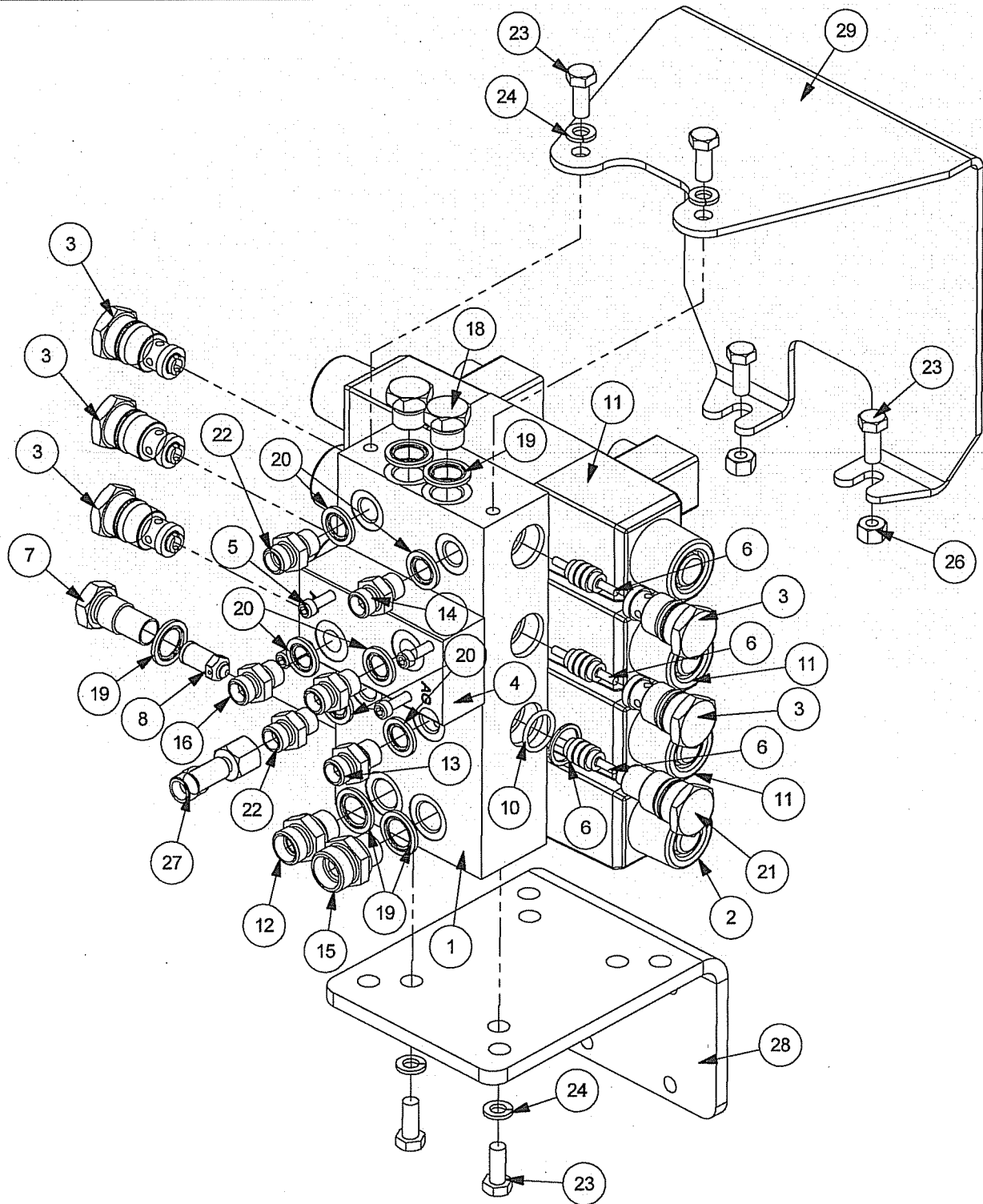
Ref.	Part No.	Qty.	Description
CONTROL VALVE ASSEMBLY			
1	81 30 616	1	Control valve including :-
2	G381 2539	1	Main relief valve 160 Bar (2300 p.s.i.)
3	81 30 134	2	Centering spring assembly
4	81 30 022	1	Non return valve assembly
5	81 30 195	1	Angle detent assembly
6	81 28 022	1	Service relief valve 175 Bar – lift base
7	81 28 065	1	Service relief valve 40 Bar – lift gland
8	G381 2368	1	Adaptor 3/8" BSP – M18 MM
9	85 81 357	1	Adaptor 3/8" BSP – M22 MM
10	85 81 356	6	Adaptor 3/8" BSP – M14 MM
11	85 81 359	1	Tee connector – M14 MFM
12	85 81 363	1	Swivel elbow – M14 MF
13	92 13 134	2	Bolt M8 x 65
14	91 43 004	2	Self locking nut M8
15	86 50 103	8	Bonded seal 3/8" BSP
	86 99 163		SEAL KIT
	87 00 510	4	O ring

PA411

CONTROL VALVE – Ti Prop.

BOMFORD

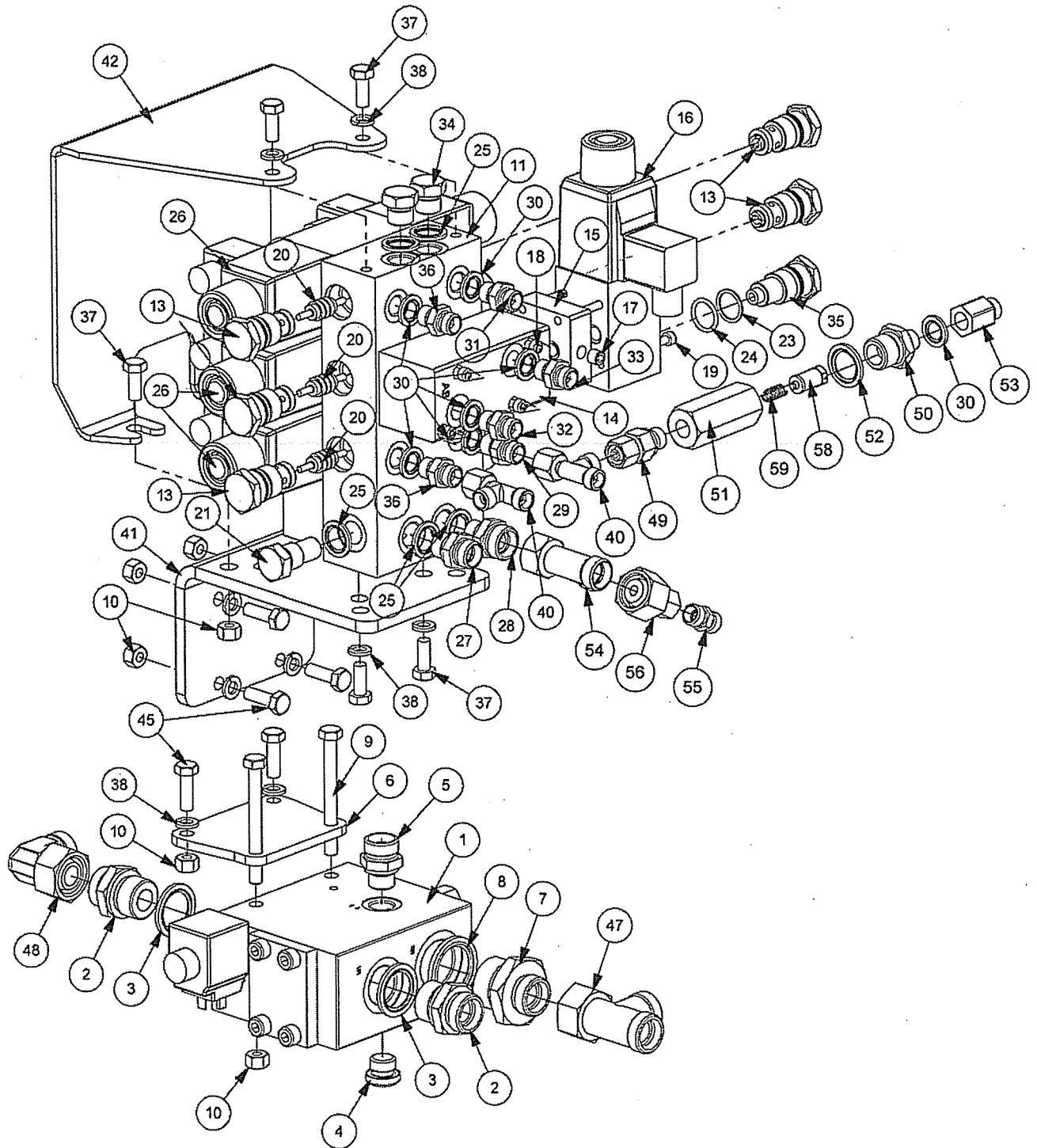
Module:
8130662



CONTROL VALVE – Ti Prop.

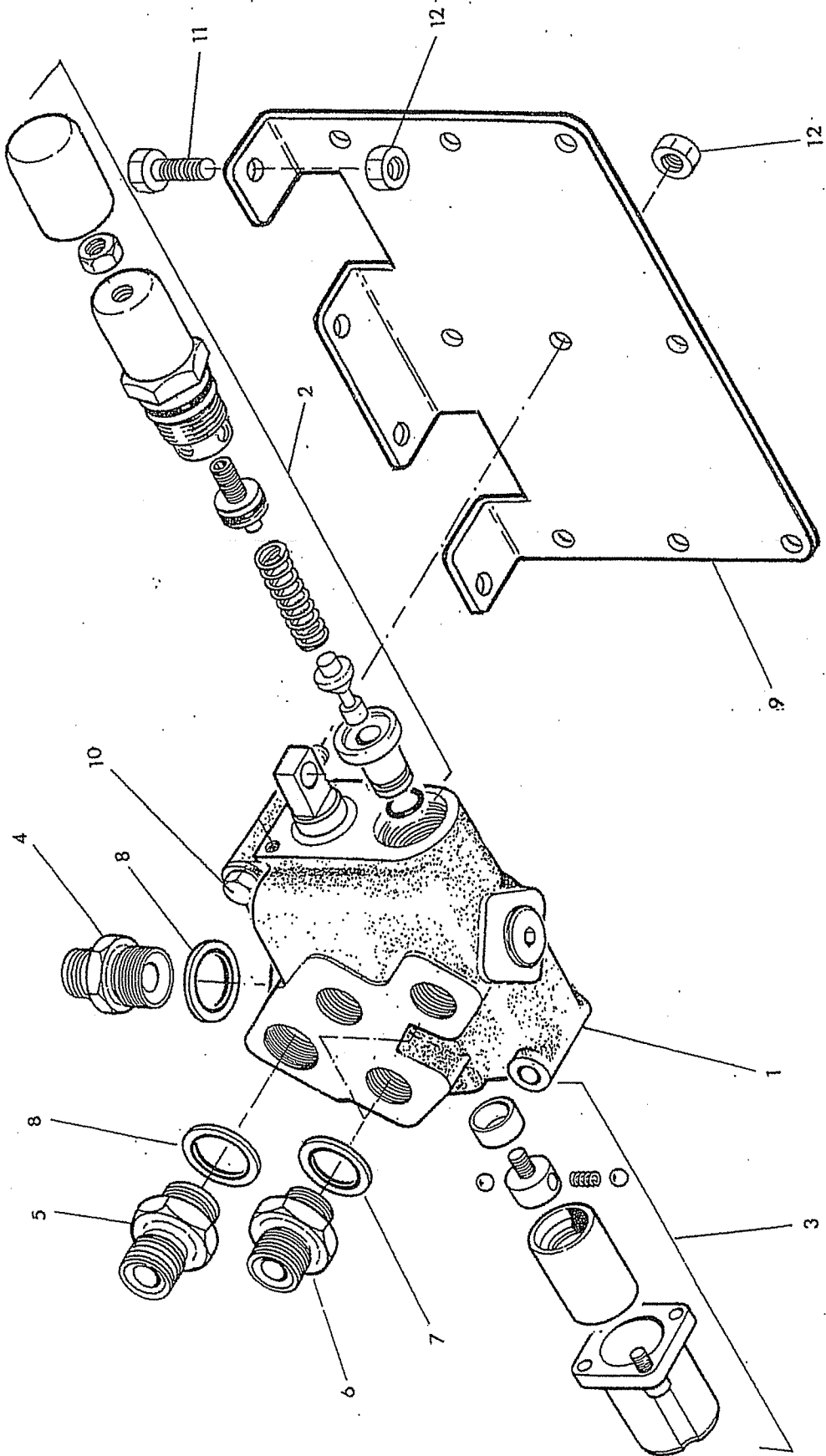
REF.	QTY.	PART No.	DESCRIPTION
		8130662	CONTROL VALVE ASSEMBLY - PROP TI
1	1	8130321	BLOCK - 3 FUNCTION MANIFOLD
2	1	8130456	CUT OFF SOLENOID VALVE
3	5	8130090	CHECK VALVE ASSEMBLY
4	1	8130322	HOSE PLATE
5	4	9243082	CAPSCREW
6	3	8130087	ACTUATOR
7	1	8130032	RELIEF VALVE CAP
8	1	8130142	RELIEF VALVE - 160BAR
9	1	8709644	BACK UP RING
10	1	8700644	O RING - METRIC
11	3	41784.48	DOUBLE SOLENOID PROPORTIONAL VALVE
12	1	G3812368	ADAPTOR
13	1	8581374	ADAPTOR
14	1	8124132	ADAPTOR RESTRICTOR - 1.5 'A'
15	1	8581357	ADAPTOR
16	1	8124135	ADAPTOR RESTRICTOR - 1.15 'S'
17	1	8124136	ADAPTOR RESTRICTOR - 0.9 'T'
18	2	8003001	ADAPTOR PLUG
19	5	8650103	BONDED SEAL
20	6	8650102	BONDED SEAL
21	1	8130078	CHECK VALVE CAP
22	2	8124133	ADAPTOR RESTRICTOR - 1.8 'B'
23	6	9313044	SETSCREW
24	4	9100204	SPRING WASHER
25	16	9243062	CAPSCREW
26	2	9143004	SELF-LOCKING NUT
27	1	8581359	ADAPTOR TEE
28	1	43497.01	VALVE MOUNTING PLATE
29	1	7194277	VALVE COVER
30	1	41844.02	LOOM - 14 CORE PLUG IN
31	1	7313282	CAB MOUNTING KIT

Module:
8130669 – Proportional Front Mount Models

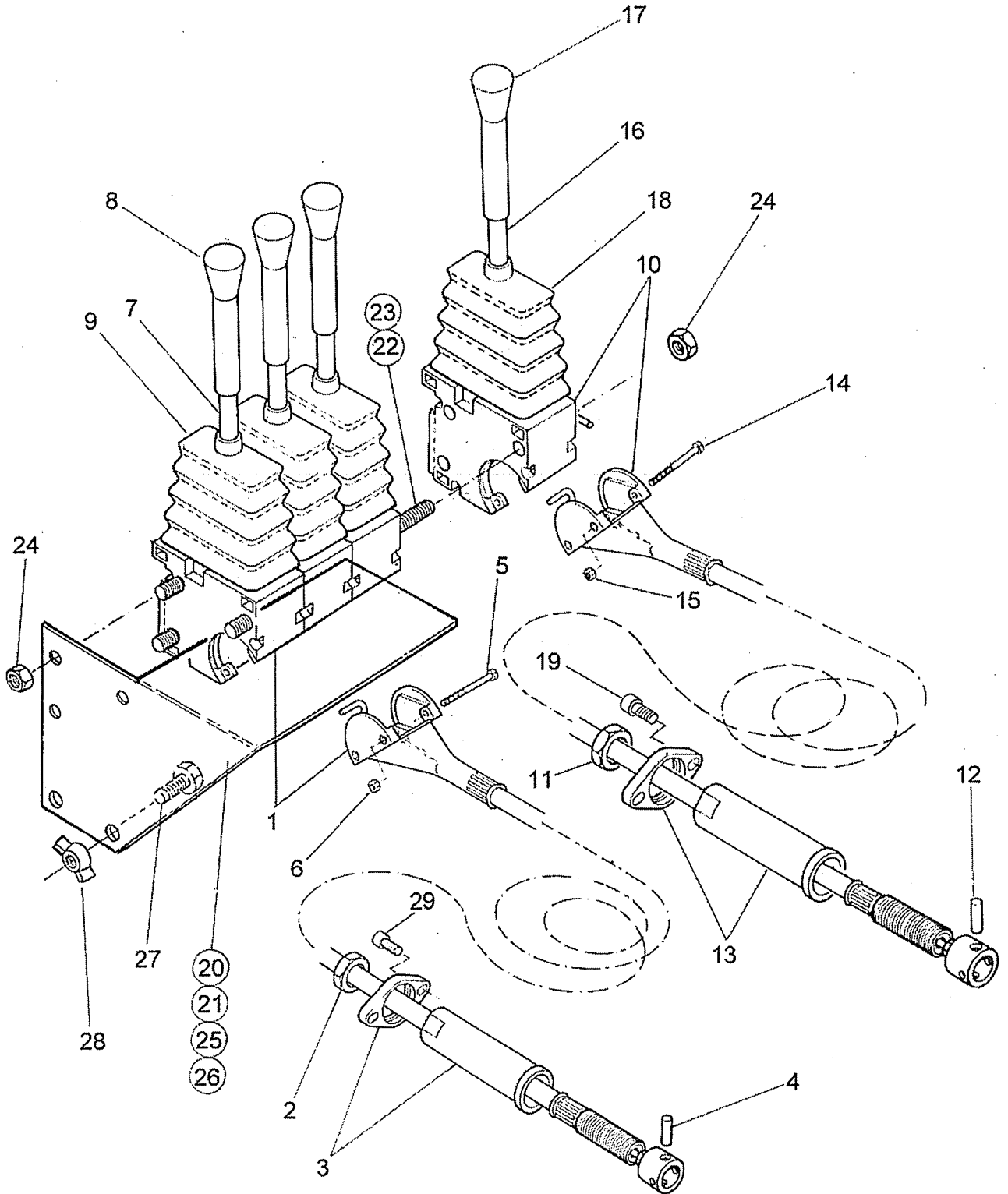


PROPORTIONAL ACV/ELEC. RRV

REF.	QTY.	PART No.	DESCRIPTION
		8130669	PROPORTIONAL ACV / ELEC. RRV
1	1	08.943.01	RELIEF VALVE / DIVERTER
2	2	8581362	ADAPTOR
3	2	8650106	BONDED SEAL
4	1	8581436	PLUG - SOFT SEAL
5	1	8581391	ADAPTOR
6	1	21476.01	ROTOR REVERSE VALVE BRACKET
7	1	8581471	ADAPTOR
8	1	8650108	BONDED SEAL
9	2	9213164	BOLT
10	10	9143004	SELF-LOCKING NUT
11	1	8130653	BLOCK - 3 SERVICE
12	1	8130456	CUT OFF SOLENOID VALVE
13	5	8130090	CHECK VALVE ASSEMBLY
14	1	8130323	FLOAT VALVE BLOCK
15	1	8126280	BRIDGING PLATE
16	1	8130457	SOLENOID VALVE SINGLE
17	1	8582041	TAPER PLUG
18	4	9243082	CAPSCREW
19	4	9243102	CAPSCREW
20	3	8130087	ACTUATOR
21	1	8130032	RELIEF VALVE CAP
22	1	8130142	RELIEF VALVE - 160BAR
23	1	8709644	BACK UP RING
24	1	8700644	O RING - METRIC
25	5	8650103	BONDED SEAL
26	3	41784.48	DOUBLE SOLENOID PROP. VALVE
27	1	G3812368	ADAPTOR
28	1	8581357	ADAPTOR
29	1	8581374	ADAPTOR
30	7	8650102	BONDED SEAL
31	1	8124132	ADAPTOR RESTRICTOR - 1.5 'A'
32	1	8124135	ADAPTOR RESTRICTOR - 1.15 'S'
33	1	8124136	ADAPTOR RESTRICTOR - 0.9 'T'
34	2	8003001	ADAPTOR PLUG
35	1	8130078	CHECK VALVE CAP
36	2	8124133	ADAPTOR RESTRICTOR - 1.8 'B'
37	6	9313044	SETSCREW
38	10	9100204	SPRING WASHER
39	16	9243062	CAPSCREW
40	2	8581359	ADAPTOR TEE
41	1	43497.01	VALVE MOUNTING PLATE
42	1	7194277	VALVE COVER
43	1	41844.02	LOOM - 14 CORE PLUG IN <i>(not illustrated)</i>
44	1	7313282	CAB MOUNTING KIT
45	6	9313054	SETSCREW
46	1	8402338	LOOM - ANGLE FLOAT <i>(not illustrated)</i>
47	1	8581472	ADAPTOR TEE
48	1	8581361	ADAPTOR ELBOW
49	1	8581381	ADAPTOR
50	1	8130083	ADAPTOR RELIEF BODY
51	1	8130156	RELIEF VALVE HOUSING
52	1	8650104	BONDED SEAL
53	1	8581360	ADAPTOR
54	1	8581462	ADAPTOR TEE
55	1	8581382	ADAPTOR
56	1	8581480	ADAPTOR
57	1	42717.05	HOSE - M14 FS/FS x 250MM LG <i>(not illustrated)</i>
58	1	8130164	RELIEF VALVE - 50BAR
59	1	8116011	SPRING



Ref.	Part No.	Qty.	Description
ROTOR CONTROL VALVE ASSY.			
T.I. models only			
1	81 25 343	1	Rotor control valve including :-
2	81 25 095	1	Relief valve 210 Bar (3000 p.s.i.)
3	81 25 109	1	Spool detent assembly
4	85 81 364	1	Adaptor 3/4"BSP – M22 MM
5	85 81 362	1	Adaptor 3/4"BSP – M26 MM
6	G381 2663	3	Adaptor 1/2"BSP – M26 MM
7	86 50 104	3	Bonded seal 1/2"BSP
8	86 50 106	2	Bonded seal 3/4"BSP
9	41328.01	1	Mounting bracket
10	92 13 144	2	Bolt M8 x 70
11	93 13 044	2	Setscrew M8 x 20
12	91 43 004	5	Self locking nut M8
	86 99 218		SEAL KIT



REF.	QTY.	PART No.	DESCRIPTION
			CONTROL LEVERS AND CABLES
			LEVER & CABLE ASSEMBLY (Lift/Reach/Angle)
1	3	8017054	
2	1	8017014	Locknut
3	1	8017013	Flange and Sleeve
4	1	8017016	Spool Eye Pin
5	2	9373081	Screw
6	2	9113001	Nut
7	1	8017023	Lever
8	1	8017027	Knob
9	1	8017026	Weather Gaiter
10	1	8017045	** LEVER & CABLE ASSEMBLY (Rotor Control)
11	1	8017014	** Locknut
12	1	8017021	** Pin
13	1	8017018	** Flange and Sleeve
14	2	9373081	** Screw
15	2	9113001	** Nut
16	1	8017023	** Lever
17	1	09.968.99	** Knob
18	1	8017026	** Weather Gaiter
19	2	9343023	** Capscrew
20	1	09.970.01	** Mounting Bracket - 4 Lever L/H
21	1	09.970.02	** Mounting Bracket - 4 Lever R/H
22	3	04.282.70	** Tie Rod - 4 Lever
23	3	04.282.73	* Tie Rod - 3 Lever
24	3	9143003	Self Locking Nut
25	1	41.181.01	* Mounting Bracket - 3 Lever L/H
26	1	41.181.02	* Mounting Bracket - 3 Lever R/H
27	2	9313034	Setscrew
28	2	9193004	Wingnut
29	6	9343022	Capscrew

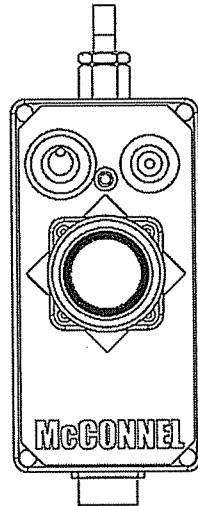
* *Si Models only*** *Ti Models only*

CONTROL BOX - Mini Single Lever

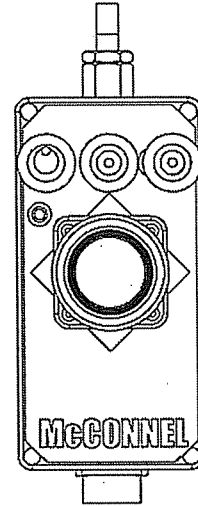
8402393 Illustrated

Modules:

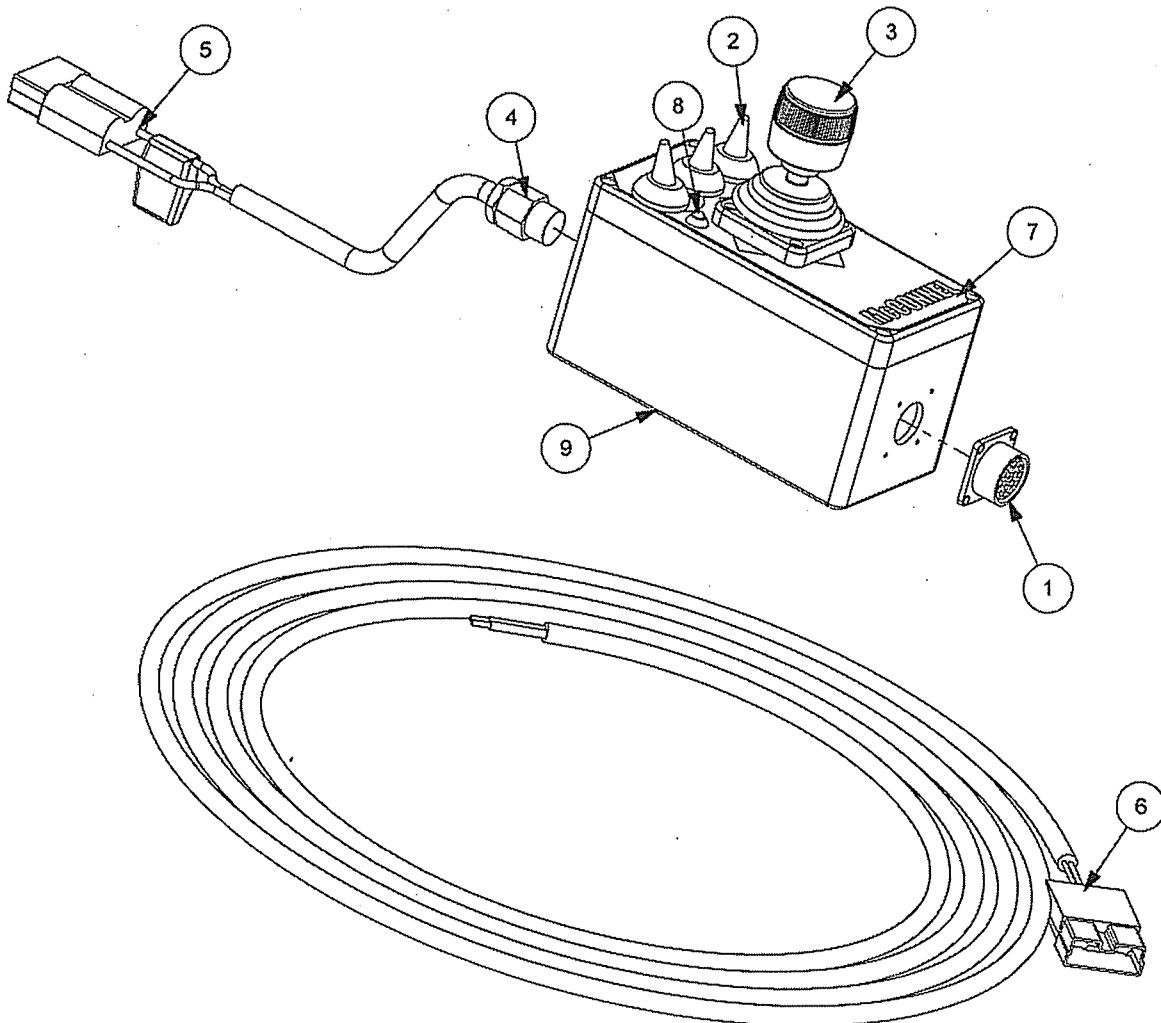
- 8402390 – 3 Service B/B 2 Switch
- 8402391 – 3 Service Prop. B/B 2 Switch
- 8402392 – 3 Service Prop. B/B 3 Switch
- 8402393 – 3 Service Prop. 3 Switch



8402390 & 8402391

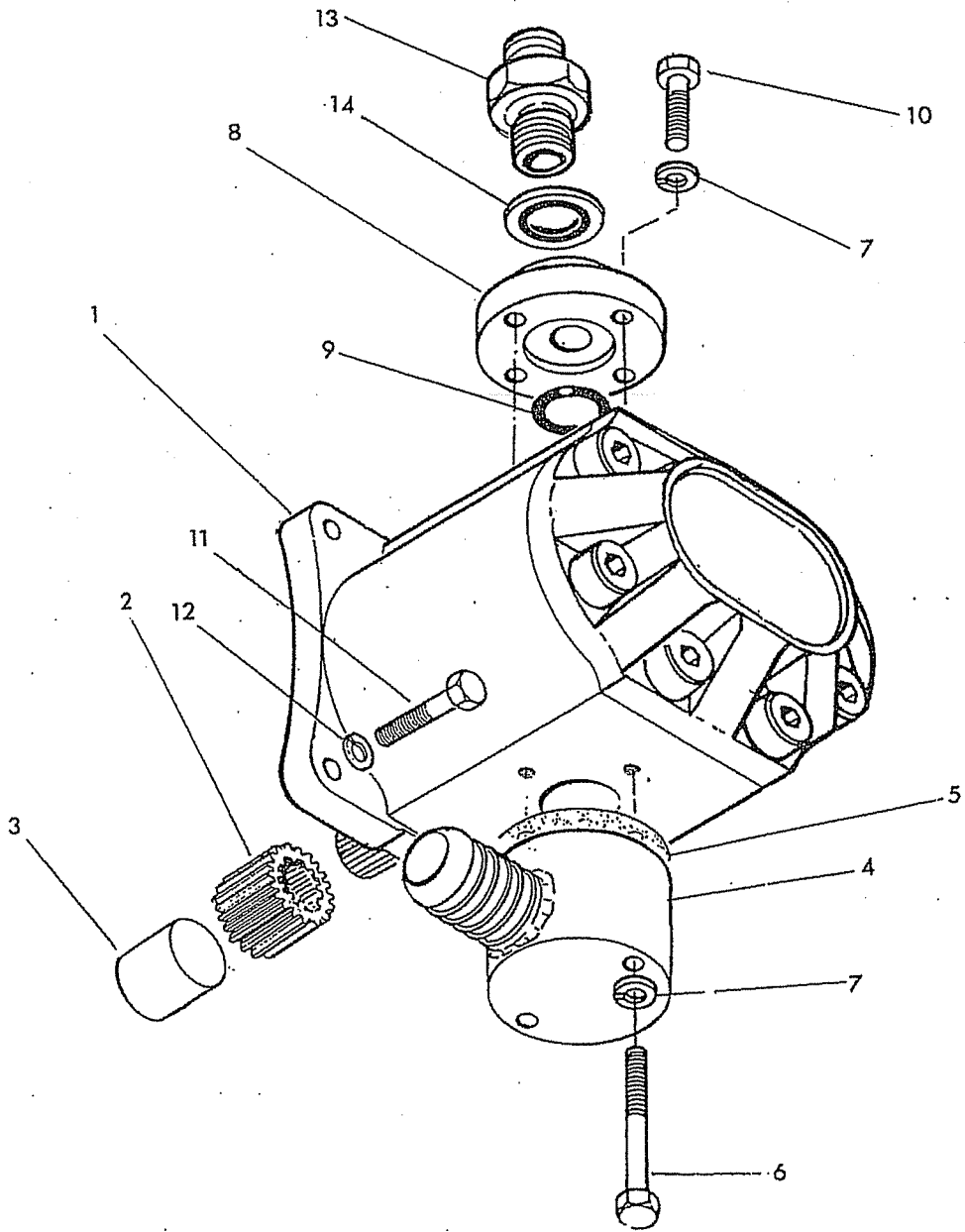


8402392 & 8402393

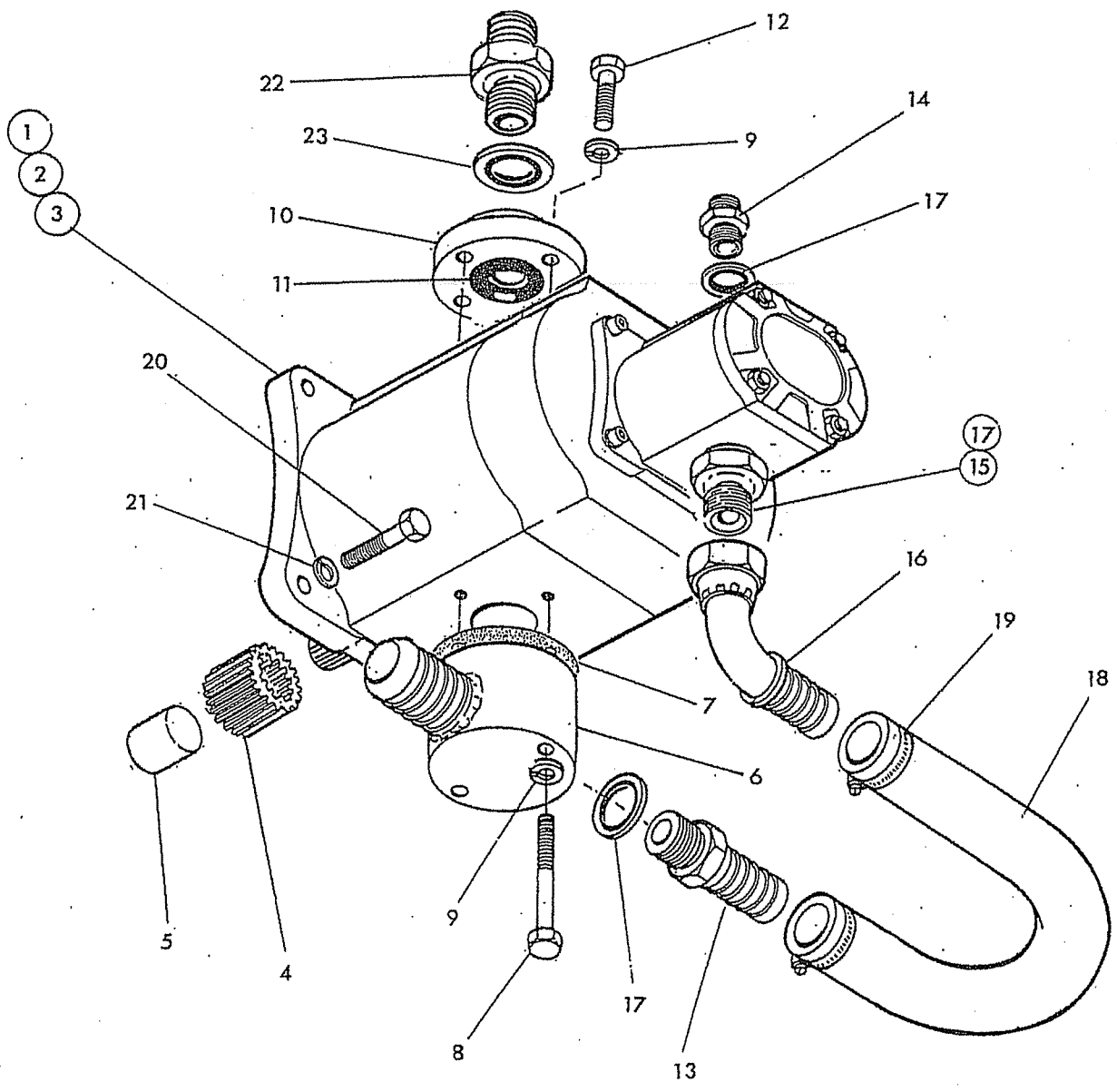


REF.	QTY.	PART No.	DESCRIPTION
		8402390	CONTROL BOX - B/B 2 Switch
		8402391	CONTROL BOX - Prop. B/B 2 Switch
		8402392	CONTROL BOX - Prop. B/B 3 Switch
		8402393	CONTROL BOX - Prop. 3 Switch
1	1	8402189	PANEL MTG SHELL
2	3*	8402024	SWITCH COVER
3	1	8402246	JOYSTICK (4 AXIS)
4	1	8402149	GLAND - PLASTIC
5	1	43022.47	CONNECTOR
6	1	8402237	LOOM POWER SUPPLY
7	1	1290494	DECAL - SWITCH BOX
8	1	41845.41	LED
9	1	8402349	CONTROL BOX
10	1	43034.02	BLADE FUSE - 20 amp

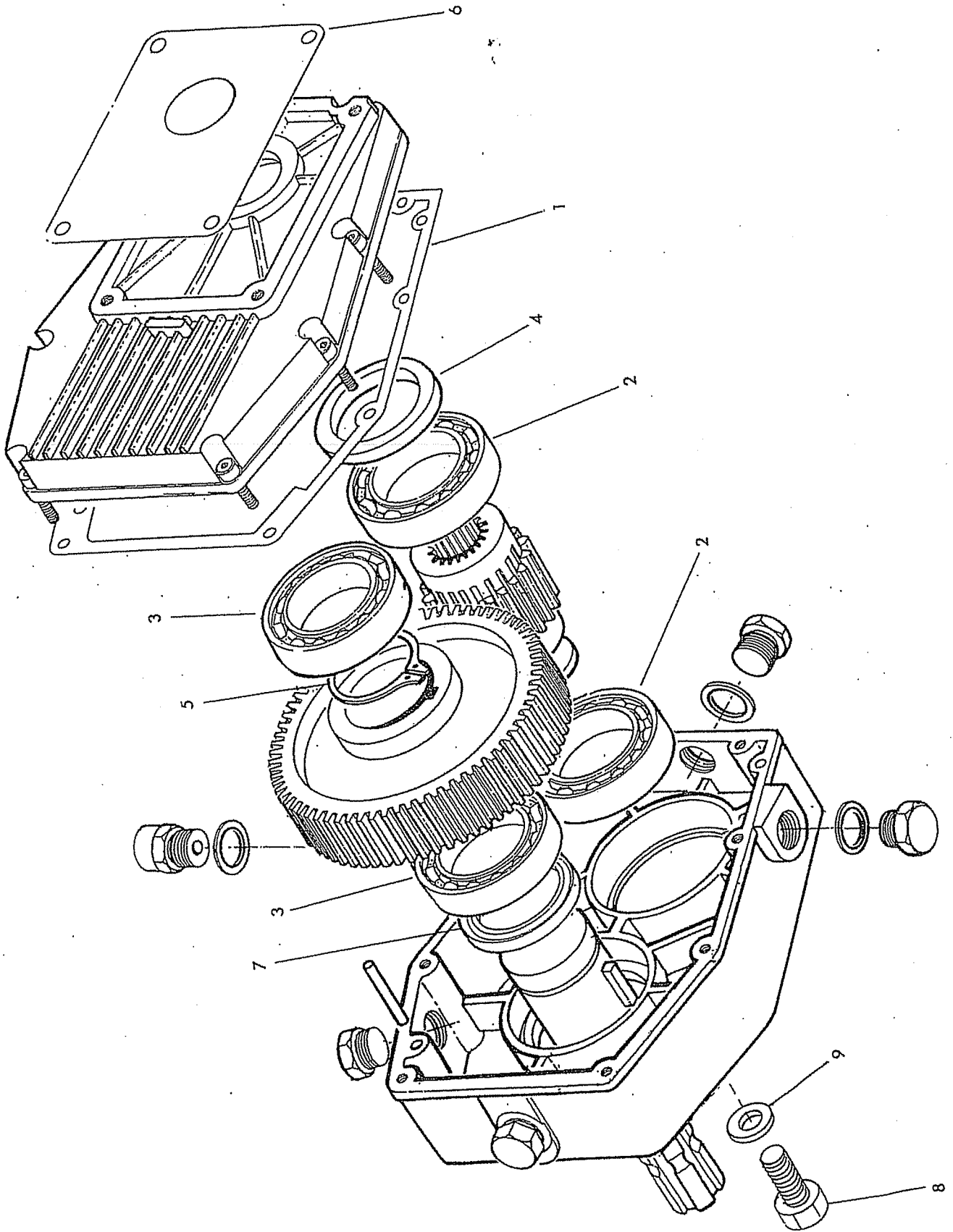
* Control Boxes 8402390 & 8402391 use 2 off only



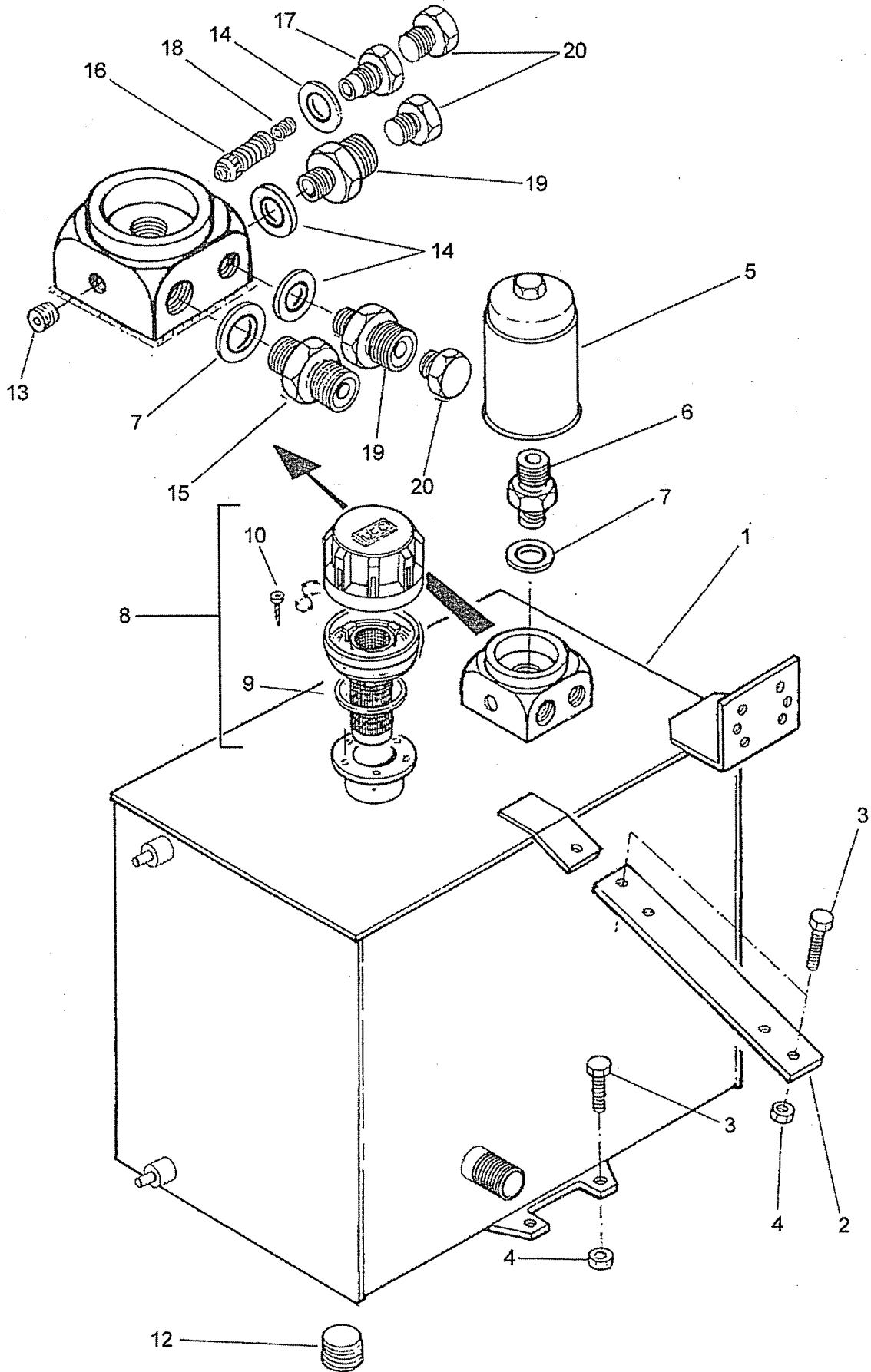
Ref	Part No.	Qty.	Description
PUMP ASSEMBLY – S.I.models only			
1	82 01 463	1	Pump
2	80 13 097	1	Coupling
3	42415.02	1	Spacer
4	80 13 022/B	1	Suction connection
5	80 13 023	1	Gasket
6	92 13 144	2	Bolt M8 x 70
7	91 00 204	6	Spring washer dia 8
8	80 13 088	1	Pressure connection
9	86 00 119	1	O ring
10	93 13 054	4	Setscrew M8 x25
11	92 13 095	4	Bolt M10 x 45
12	91 00 205	4	Spring washer dia 10
13	85 81 362	1	Adaptor 3/4"BSP – M26
14	86 50 106	1	Bonded seal 3/4"BSP
	86 99 231		PUMP SEAL KIT



Ref.	Part No.	Qty.	Description
PUMP ASSEMBLIES T.I. Models			
1	82 01 693	1	Tandem pump assembly complete – anti clockwise
	82 01 466	1	Tandem pump assembly clockwise comprising:-
2	82 01 684	1	Large pump
3	82 01 677	1	Small pump
4	80 13 097	1	Coupling
5	42415.02	1	Spacer
6	80 13 082	1	Suction connection
7	80 13 023	1	Gasket
8	92 13 144	2	Bolt M8 x 70
9	91 00 204	6	Spring washer dia 8
10	80 13 088	1	Pressure connection
11	86 00 119	1	O ring
12	93 13 054	4	Setscrew M8 x 25 long
13	80 02 059	1	Adaptor 1/2"BSP – 5/8" low pressure
14	G381 2366	1	Adaptor 1/2"BSP – M18 MM
15	G381 2120	1	Adaptor 1/2"BSP – 5/8" BSP MM
16	85 81 173	1	Elbow 5/8"BSP – 5/8" low pressure
17	86 50 104	3	Bonded seal 1/2"BSP
18	85 01 099	1	Hose 5/8" bore x 13" long
19	09 04 204	2	Hose clip
20	92 13 095	4	Bolt M10 x 45 long
21	91 00 205	4	Spring waehar dia 10
22	85 81 362	1	Adaptor 3/4"BSP – M26 MM
23	86 50 106	1	Bonded seal 3/4"BSP
	86 99 231		SEAL KIT For pump



Ref.	Part No.	Qty.	Description
			GEARBOX ASSEMBLIES
	80 13 443	1	GEARBOX ASSEMBLY 540 r.p.m. 1: 2.6
	80 13 570	1	GEARBOX ASSEMBLY 10000 r.p.m 1:1.5
1	80 13 087	1	Gearbox case sealing gasket
2	06 00 047	2	Bearing
3	06 00 048	2	Bearing
4	86 29 139	1	Seal
5	04 01 250	1	External circlip
6	90 13 056	1	Pump face gasket
7	86 29 134	1	Seal
8	93 13 046	4	Setscrew M12 x 20
9	91 00 206	4	Spring washer dia12



REF.	QTY.	PART No.	DESCRIPTION
		7441427	HYDRAULIC OIL TANK ASSEMBLY - <i>Si R/H Build</i>
		7441428	HYDRAULIC OIL TANK ASSEMBLY - <i>Ti R/H Build</i>
		7441429	HYDRAULIC OIL TANK ASSEMBLY - <i>Si L/H Build</i>
		7441430	HYDRAULIC OIL TANK ASSEMBLY - <i>Ti L/H Build</i>
1	1	41196.05	Tank - L/H
2	1	41196.06	Tank - R/H
3	1	41204.01	Tank Strap
4	4	9313065	Setscrew
5	4	9143005	Self Locking Nut
6	1	8401045	Filter
7	1	8581174	Adaptor
8	2	8650104	Bonded Seal
9	1	8401014	Filler/Breather Assembly - <i>comprising of:</i>
10	1	8401017	Gasket
11	6	0300082	Screw - Self Tapping
12	2	9100205	Spring Washer
13	1	8581203	Drain plug
14	1	8582042	Plug
15	3	8650103	Bonded Seal
16	1	G381.2120	Adaptor
17	1	8130030	Relief Valve
18	1	8130031	Relief Valve Housing
19	1	8116011	Spring
20	2	8581175	Adaptor

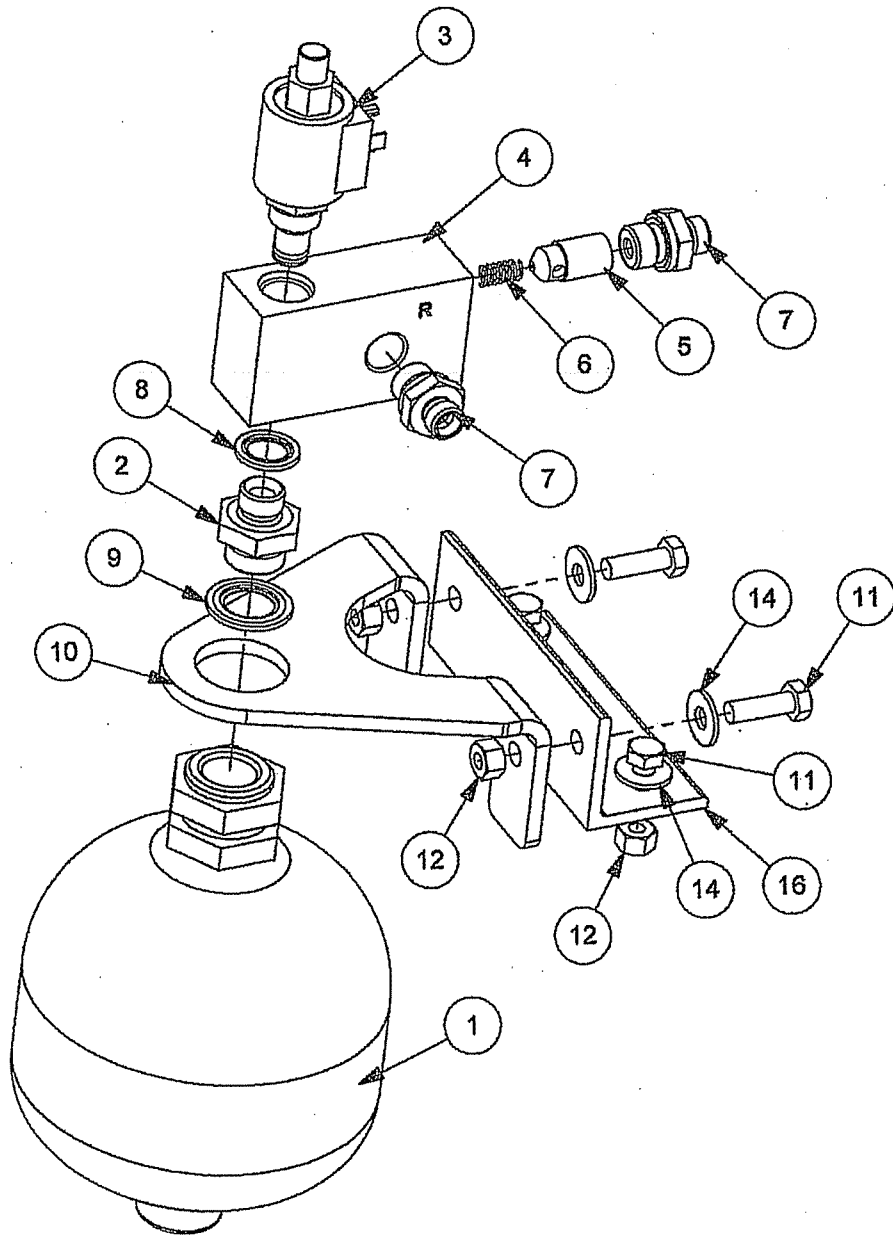
} *Si only*

LIFT FLOAT KITS - Optional

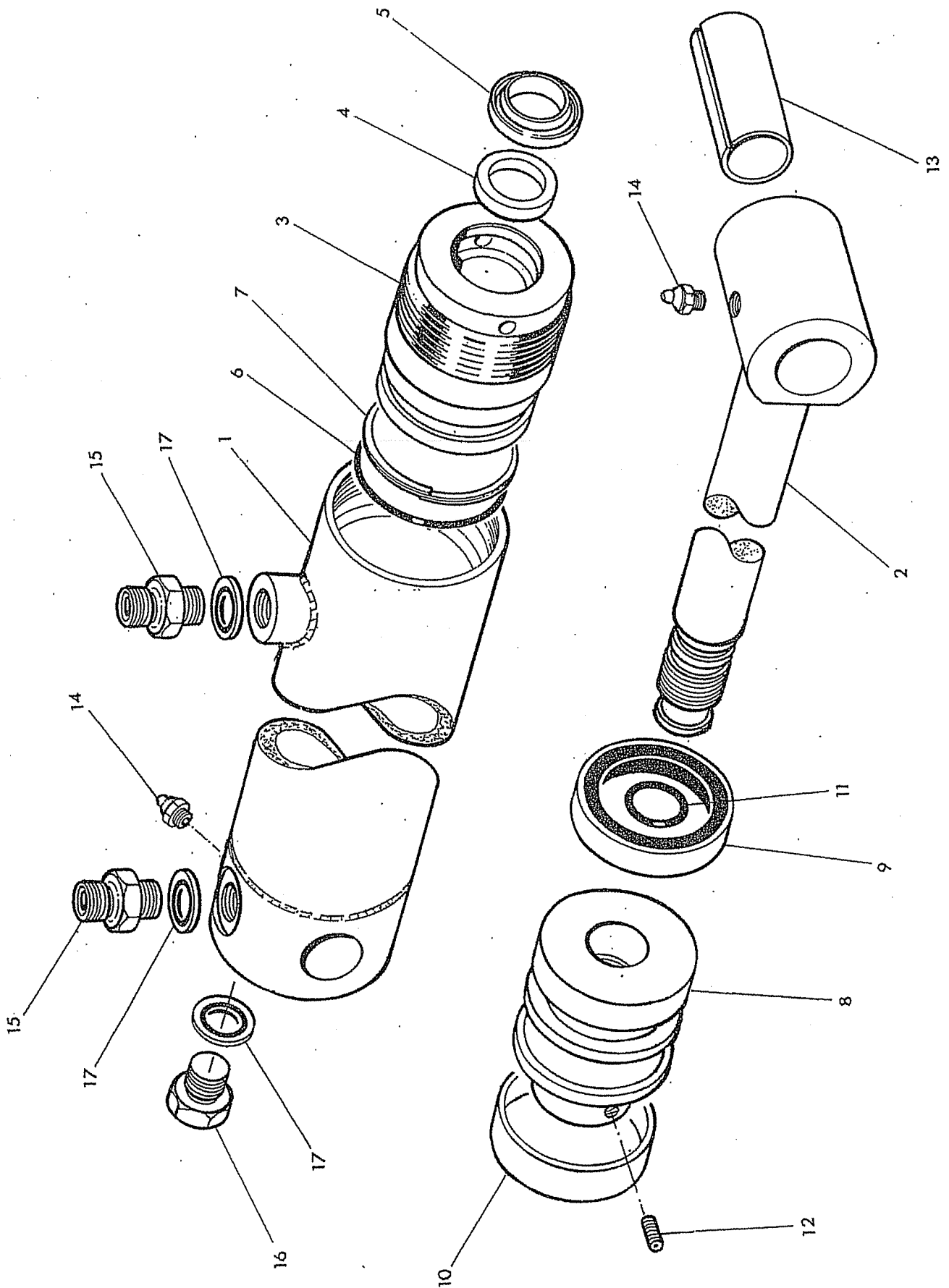
Module:

8126311 – Cable Models

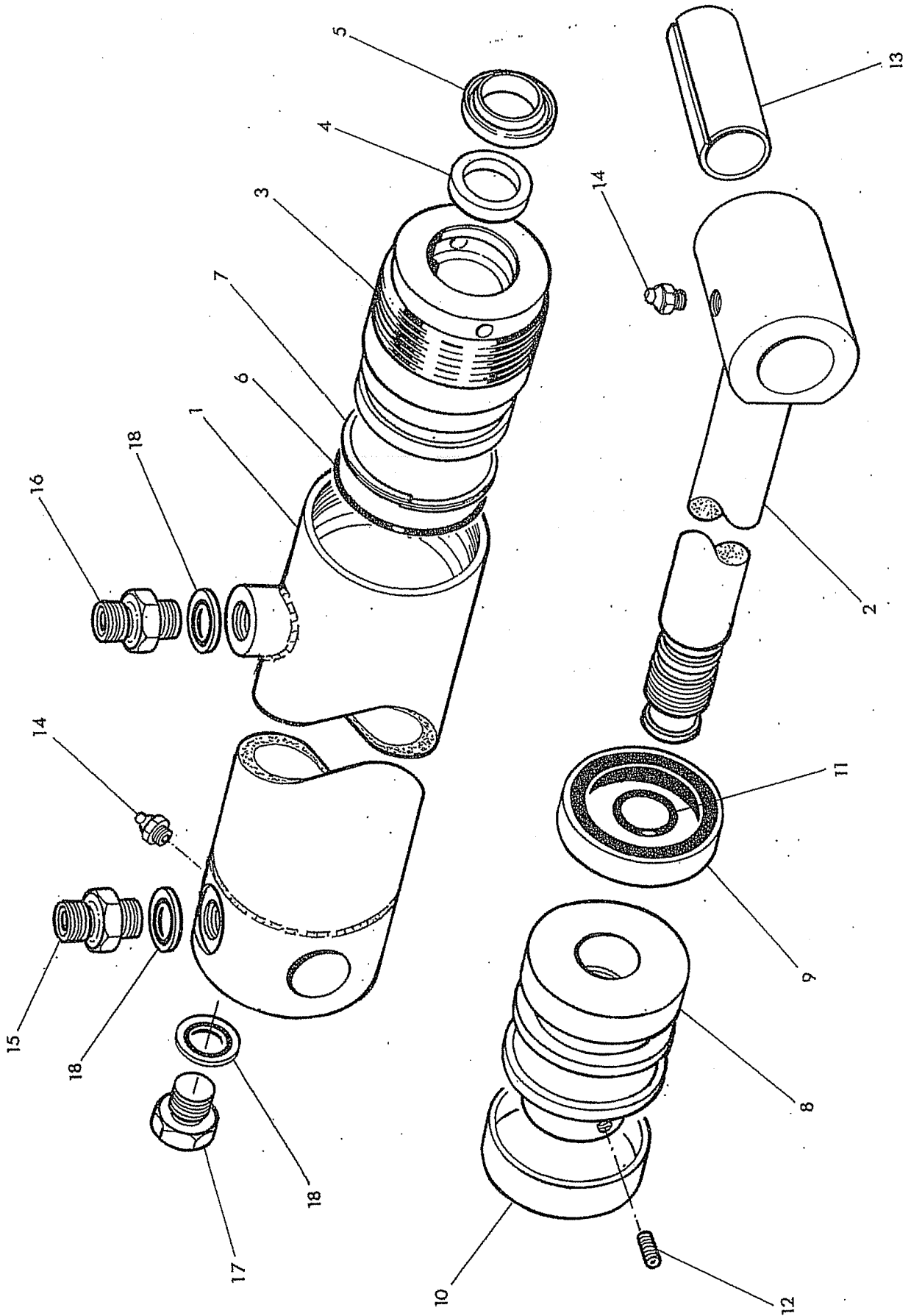
8126340 – Electric & Proportional Models



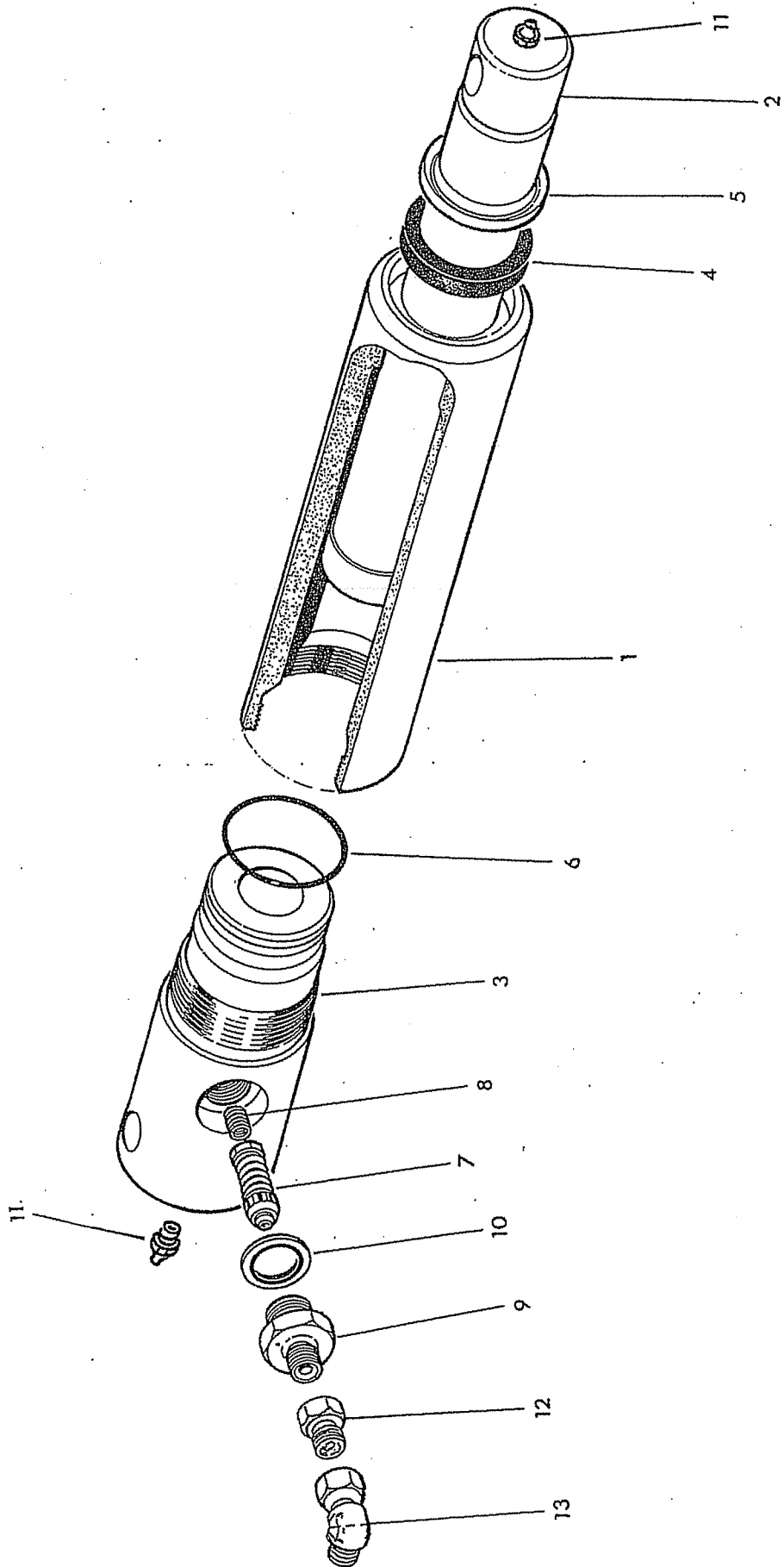
REF.	QTY.	PART NO.	DESCRIPTION
		•8126311	LIFT FLOAT KIT - Cable Models
		•8126340	LIFT FLOAT KIT - Elec. & Prop. Models
1	1	1 8126042	ACCUMULATOR
2	1	1 G2410380	ADAPTOR
3	1	1 8130183	VALVE POPPET
4	1	1 8126287	LIFT FLOAT VALVE BLOCK
5	1	1 8126037	RESPONSE PISTON
6	1	1 8116011	SPRING
7	2	2 8581356	ADAPTOR
8	1	1 8650103	BONDED SEAL
9	1	1 8650322	BONDED SEAL
10	1	1 8126286	ACCUMULATOR BRACKET
11	4	4 9313054	SETSCREW
12	4	4 9143004	SELF-LOCKING NUT
13	1	1 42718.10	HOSE - M14 FS/F90 x 500mm - <i>not illustrated</i>
14	4	4 9100104	FLAT WASHER
15	1	1 1290061	OPERATION DECAL - <i>not illustrated</i>
16	1	1 8126306	MOUNTING ANGLE
17	n/a	1 8402159	HARNES - <i>not illustrated</i>



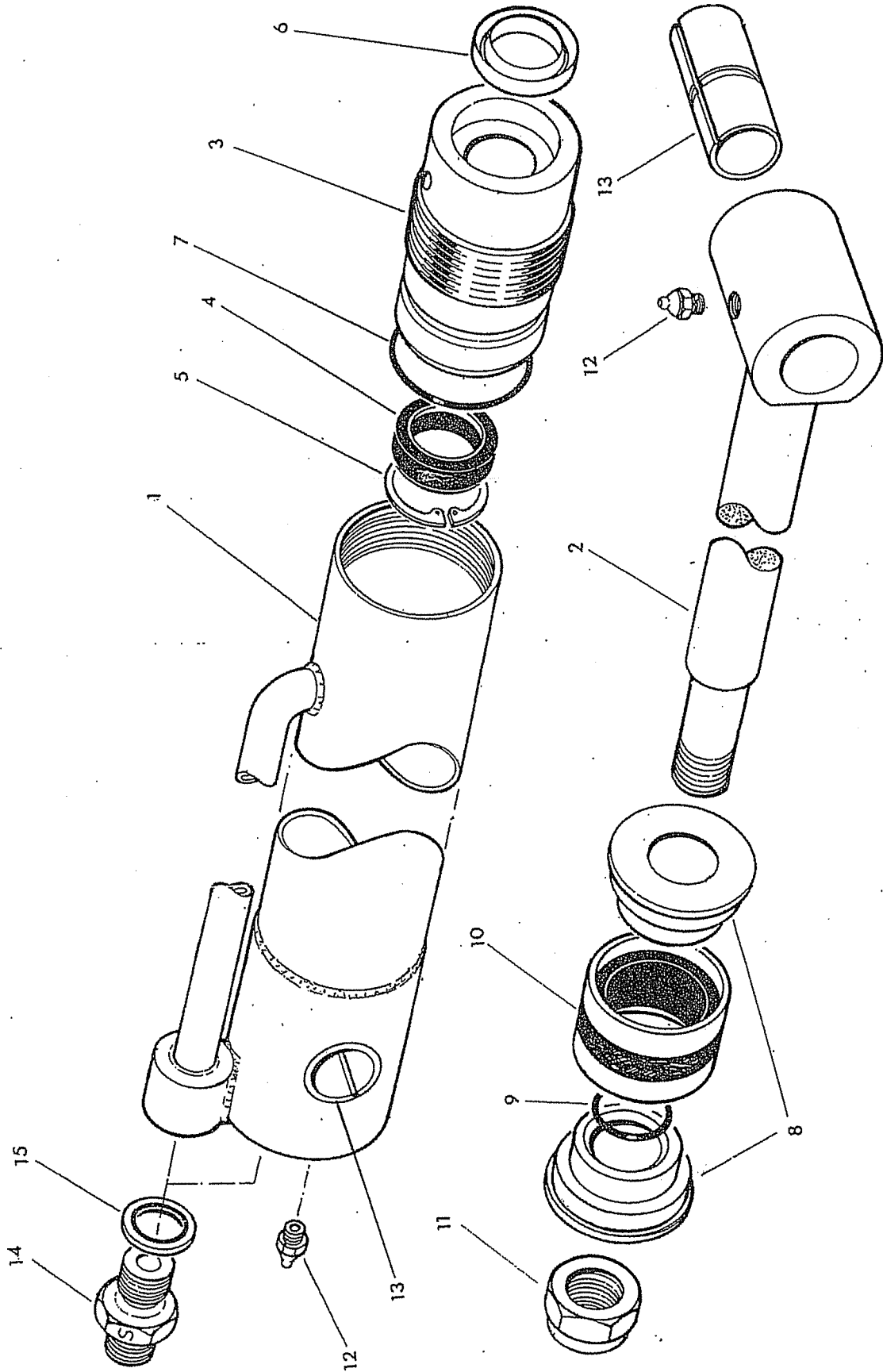
Ref.	PartNo.	Qty.	Description
	41014.08		LIFT RAM ASSEMBLY
1	41034.03	1	Ram barrel
2	41035.03	1	Piston rod
3	71 20 384	1	Gland housing
4	86 29 164	1	Gland seal
5	86 29 147	1	Piston rod wiper seal
6	86 00 429	1	O ring
7	86 09 429	1	Anti extrusion ring
8	71 20 383	1	Piston
9	96 29 189	1	Piston seal
10	86 29 190	1	Guide ring
11	86 00 403	1	O ring
12	93 63 023	1	Grub screw M6 x 12
13	71 05 050	1	Bush
14	09 01 121	2	Greaser 1/8" BSP
15	81 24 103	2	Restrictor adaptor C 3/8" BSP - M14 MM
16	80 03 001	1	Plug 3/8" BSP
17	86 50 103	3	Bonded seal 3/8" BSP
	86 99 228		SEAL KIT



Ref.	PartNo.	Qty.	Description
	41014.09		REACH RAM ASSEMBLY
1	41034.03	1	Ram barrel
2	41035.03	1	Piston rod
3	71 20 384	1	Gland housing
4	86 29 164	1	Gland seal
5	86 29 147	1	Piston rod wiper seal
6	86 00 429	1	O ring
7	86 09 429	1	Anti extrusion ring
8	71 20.383	1	Piston
9	96 29 189	1	Piston seal
10	86 29 190	1	Guide ring
11	86 00 403	1	O ring
12	93 63 023	1	Grub screw M6 x 12
13	71 05 050	1	Bush
14	09 01 121	2	Greaser 1/8" BSP
15	81 24 101	2	Restrictor adaptor A - 3/8" BSP - M14 MM
16	81 24 105	1	Restrictor adaptor S - 3/8" BSP - M14 MM
17	80 03 001	1	Plug 3/8" BSP
18	86 50 103	3	Bonded seal 3/8" BSP
	86 99 228		SEAL KIT



Ref.	Part No.	Qty.	Description
	41322.02		BREAKAWAY RAM ASSEMBLY
1	71 91 308	1	Ram barrel
2	71 91 051	1	Ram rod
3	71 91 299	1	Ram base
4	86 29 158	1	Rod seal
5	85 29 152	1	Wiper seal
6	86 00 302	1	O ring
7	81 30 189	1	Relief valve
8	81 16 011	1	Spring
9	81 30 083	1	Relief valve body
10	86 50 104	1	Bonded seal 1/2"BSP
11	09 01 121	2	Greaser 1/8" BSP straight
12	85 81 360	1	Adaptor 1/4"BSP F - M14 M
13	85 81 363	1	Swivel elbow M14 MF



Ref.	Part No.	Qty.	Description
	71 91 072		ANGLING RAM ASSEMBLY
1	71 91 296	1	Ram barrel
2	10 90 031	1	Piston rod
3	10 90 273	1	Gland nut
4	86 29 162	1	Gland seal
5	04 16 234	1	Circlip
6	86 29 161	1	Wiper ring
7	86 00 123	1	O ring
8	10 90 034	2	Piston
9	86 00 112	1	O ring
10	86 29 160	1	Piston seal
11	01 41 007	1	Self locking nut
12	09 01 121	1	Greaser 1/8" BSP straight
13	10 90 005	2	Bush
14	10 90 005	2	Restrictor union S 1/4" BSP MM
15	86 50 102	2	Bonded seal 1/4" BSP
16	85 81 360	2	Adaptor 1/4" BSP F - M14 M
	86 99 202		SEAL KIT

Assembly note

Assemble locknut onto rod using PermaBond A113 or similar medium strength thread locking compound.

REAR COVERS ASSEMBLY

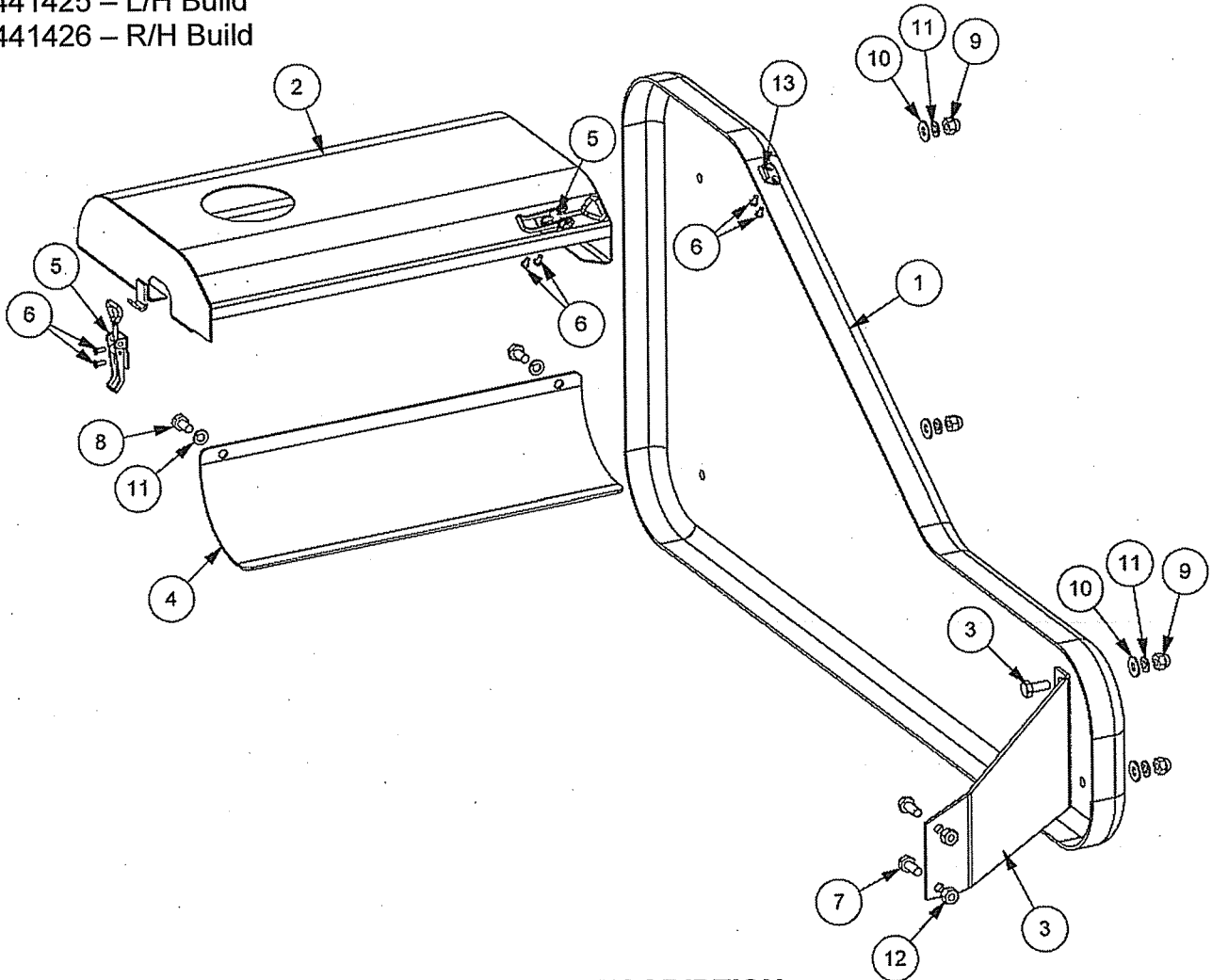


Modules:

7441425 – L/H Build

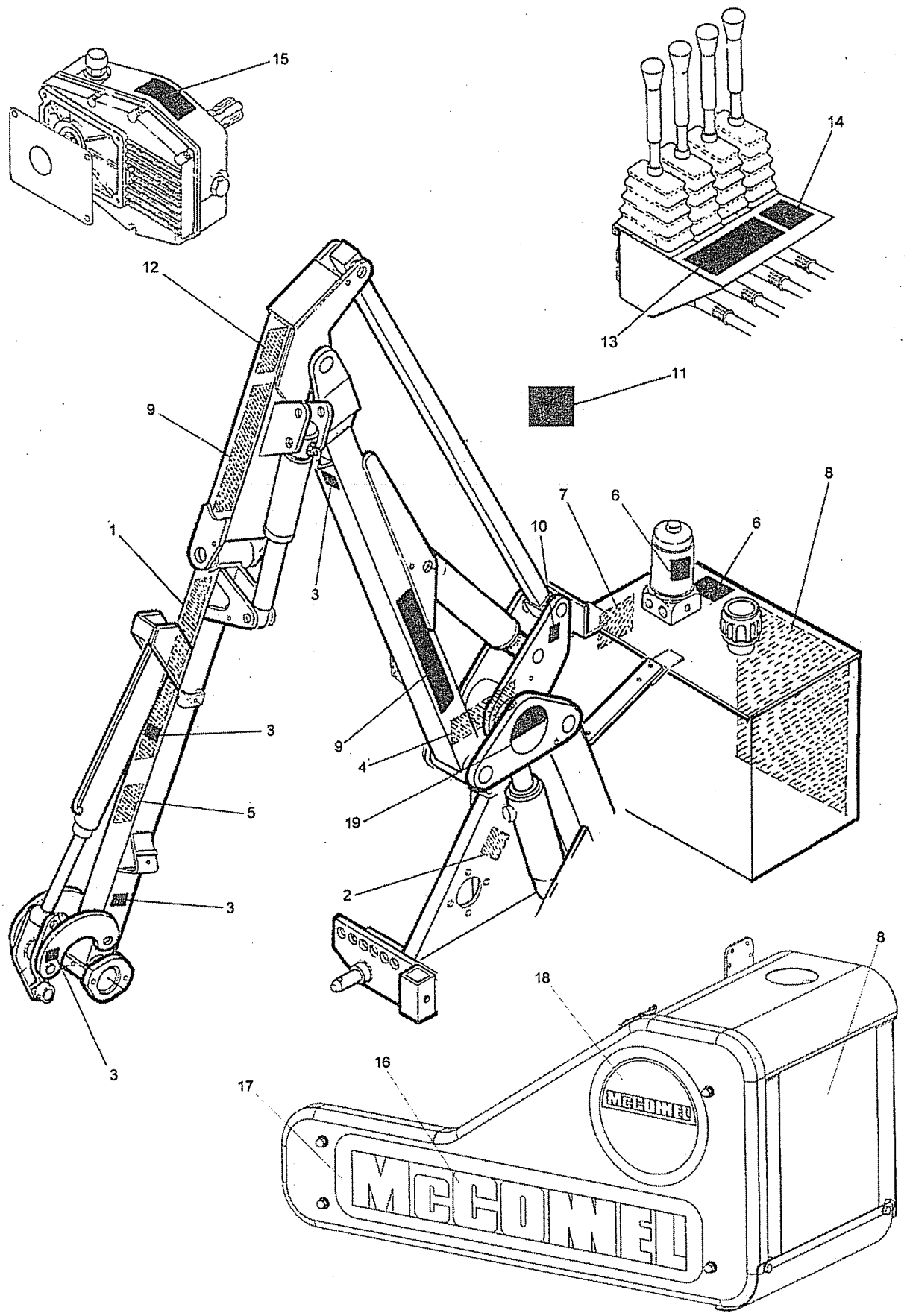
7441426 – R/H Build

Illustrated in Left Hand Build



REF.	QTY.	PART No.	DESCRIPTION
		7441425	REAR COVERS ASSEMBLY - L/H Build
		7441426	REAR COVERS ASSEMBLY - R/H Build
1	1	45629.01	REAR COVER MOULDING - L/H Build
	1	45629.02	REAR COVER MOULDING - R/H Build
2	1	45633.01	TANK COVER - L/H Build
	1	45633.02	TANK COVER - R/H Build
3	1	45636.01	SUPPORT BRACKET - L/H Build
	1	45636.03	SUPPORT BRACKET - R/H Build
4	1	45638.01	TANK FAIRING
5	2	43449.02	OVERCENTRE FASTENER
6	6	1069088	POP RIVET
7	2	9313055	SETSCREW
8	2	9313045	SETSCREW
9	4	9100025	DOME NUT
10	4	9100105	FLAT WASHER
11	6	9100205	SPRING WASHER
12	2	9143005	SELF-LOCKING NUT
13	1	46007.01	HOOK (OVERCENTRE FASTENER)

This page is intentionally blank

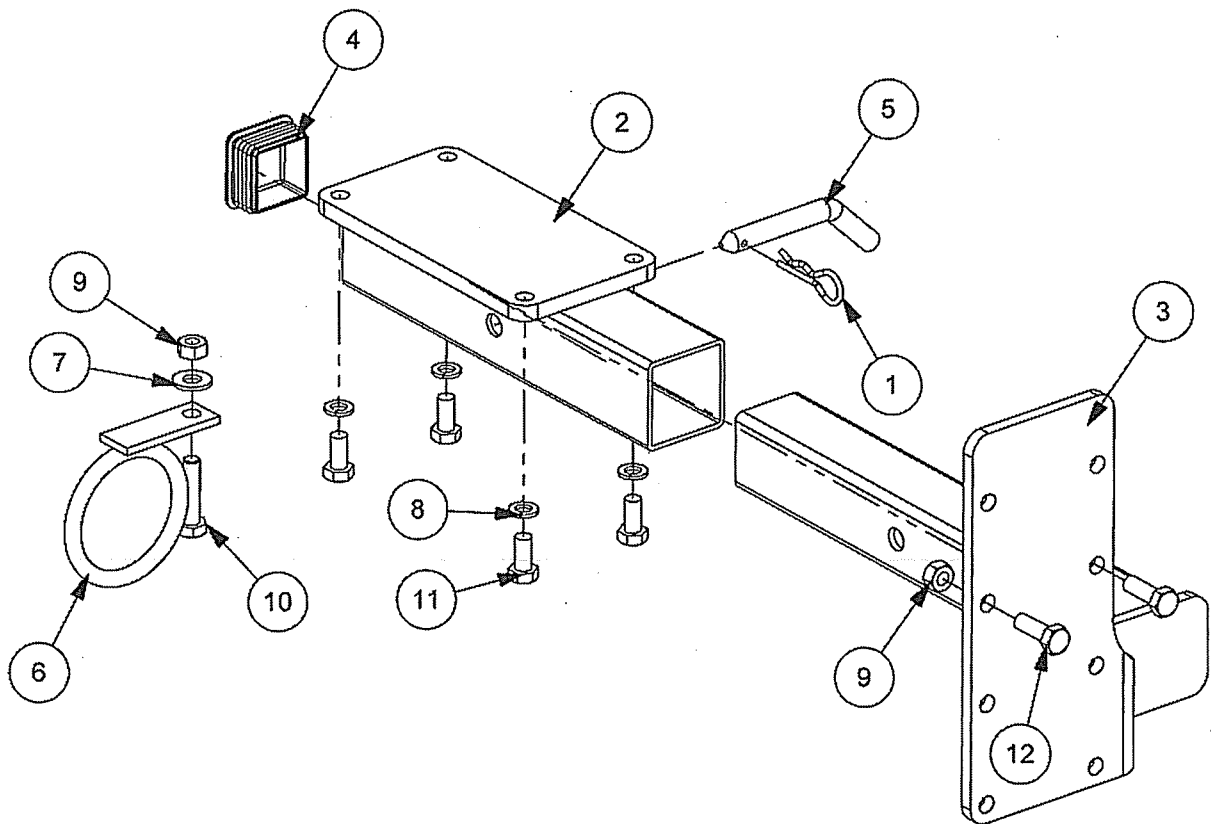


REF.	QTY.	PART No.	DESCRIPTION
			MACHINE DECALS
1	2	1290453	PA - Black
2	1	7105130	Read Instruction Manual
3	5	02962764	Pinch Point
4	1	7135295	Tighten Check Chains
5	2	1290530	41 - Black
6	1	1290023	Oil Filter Instruction
7	1	00756494	PTO Fitting/Warning
8	1	1290391	General Safety
9	2	1290255	McConnel
10	1	1290074	Sling Here
11	1	1290352	General Warning (<i>Supplied loose for cab location</i>)
12	1	1290403	Breakaway Warning
13	1	1290368	Arm Controls
14	1	1290338	Rotor Controls/Cutterbar ON/OFF
15	1	1290030	Gearbox Oil Instructions
16	1	1290527	McConnel - Large Black
17	1	1290553	Backing Panel - Yellow
18	1	1290554	McConnel Roundel - Yellow
19	1	1290296	Logo
20	1	1335246	Serial No. Plate
21	4	7103230	Pop Rivets

Modules:

7150770 – L/H Build

7150771 – R/H Build

Illustrated in Left Hand Build

REF.	QTY.	PART No.	DESCRIPTION
		7150770	DEBRIS BLOWER MOUNTING KIT - L/H Machines
		7150771	DEBRIS BLOWER MOUNTING KIT - R/H Machines
1	1	0431105	SPRING COTTER
2	1	43492.01	BLOWER BRACKET
3	1	43492.05	BLOWER BRACKET - L/H Build
	1	43492.06	BLOWER BRACKET - R/H Build
4	1	7191108	PLASTIC PLUG
5	1	7192023	LEG PIN
6	1	7319282	HOSE RING
7	1	9100106	FLAT WASHER
8	4	9100206	SPRING WASHER
9	3	9143006	SELF-LOCKING NUT
10	1	9213106	BOLT
11	4	9313056	SETSCREW
12	2	9313076	SETSCREW

Suitable for the following machines:

PA32, PA41, PA45*, PA47 Mk1*, PA47 Mk2, PA48, PA50Mk1*, PA50 Mk2, PA55/60
 (* without lightbars)





Bomford Turner Ltd: Salford Priors: Evesham: Worcestershire : WR11 8SW: UK

Tel: 01789 773383 Fax: 01789 773238

sales@bomford-turner.com: www.bomford-turner.com