

PM998

B407

PARTS MANUAL

ISSUE 2

IMPORTANT

NOTE HERE THE SERIAL NUMBER OF YOUR MACHINE AND ALWAYS QUOTE IT IN ANY COMMUNICATION WITH US OR YOUR DEALER. THIS IS PARTICULARLY IMPORTANT WHEN ORDERING SPARES. REMEMBER TO INCLUDE ALL NUMBERS AND LETTERS.

MACHINE SERIAL NUMBERS _____

THE INFORMATION GIVEN THROUGHOUT THIS MANUAL IS CORRECT AT THE TIME OF PUBLICATION. HOWEVER, IN THE COURSE OF CONSTANT DEVELOPMENT OF BOMFORD TURNER MACHINES, CHANGES IN SPECIFICATION ARE INEVITABLE. SHOULD YOU FIND THE INFORMATION GIVEN IN THIS BOOK TO BE AT VARIANCE WITH THE MACHINE IN YOUR POSSESSION, YOU ARE ADVISED TO CONTACT THE BOMFORD TURNER SERVICE DEPARTMENT WHERE UP-TO-DATE INFORMATION WILL BE PROVIDED.

THE MANUAL CAN CONTAIN STANDARD AND OPTIONAL FEATURES AND IS NOT TO BE USED AS A MACHINE SPECIFICATION.

THE MACHINE HAS BEEN TESTED AND IS CONSIDERED SAFE IF CAREFULLY USED. ENSURE YOUR OPERATOR IS PROPERLY TRAINED IN ITS USE AND MAINTENANCE.

IMPORTANT

NOTEZ ICI LES NUMEROS DE SERIE DE VOTRE MACHINE ET MENTIONNEZ LES DANS TOUTE COMMUNICATION AVEC NOS SERVICES OU VOTRE REVENDEUR. CECI EST IMPORTANT POUR LA COMMANDE DE PIECES DETACHEES. PENSEZ A NOTER TOUS LES NUMEROS ET TOUTES LES LETTERS.

NUMEROS DE SERIE DE LA MACHINE _____

LES INFORMATIONS DONNEES DANS CE MANUEL SONT CORRECTES CEPENDANT, DU FAIT DE DEVELOPPEMENT CONSTANT DES MACHINES BOMFORD TURNER.

CHANGEMENTS DANS LES CARACTERISTIQUES SONT INEVITABLES.

SI VOUS TROUVEZ QUE LES INFORMATIONS DONNEES NE CORRESPONDENT PAS A VOTRE MACHINE VEUILLEZ CONTACTER LE SERVICE DES REPARATIONS OU DES INFORMATIONS PLUS RECENTES VOUS SERONT DONNEES. CE MANUEL PEUT MONTRER DES CARACTERISTIQUES OPTIONNELLES ET NE PEUT PAS ETRE CONSIDERE COMME SPECIFICATION DE LA MACHINE.

CETTE MACHINE A ETE TESTEE, ET ELLE EST CONSIDEREE COMME FIABLE A CONDITION D'UNE BONNE UTILISATION. ASSUREZ-VOUS QUE VOTRE OPERATEUR EST QUALIFIE EN CE QUI CONCERNE L'UTILISATION DE LA MACHINE AINSI QUE SON ENTRETIEN.

WICHTIG

TRAGEN SIE HIER DIE SERIENNUMMERN IHRER MASCHINE EIN UND GEBEN SIE DIESE IMMER AN, WENN SIE SICH AN UNS ODER IHREN HÄNDLER WENDEN. DAS IST BESONDERS BEI ERSATZTEILBESTELLUNGEN WICHTIG. VERGESSEN SIE NICHT, ALLE ZAHLEN UND BUCHSTABEN ZU NOTIEREN.

SERIENNUMMERN DER MASCHINE _____

DIE ANGABEN INDIESEM HANDBUCH SIND BEI VERÖFFENTLICHUNG KORREKT. AUFGRUND DER KONSTANTEN WEITERENTWICKLUNG VON BOMFORD TURNER MASCHINEN SIND JEDOCHÄNDERUGDEN IN DER SPEZIFIKATION UNVERMEIDLICH. WENN DIE INFORMATION IN DIESEM HANDBUCH NICHT MIT IHRER MASCHINE ÜBEREINSTIMMEN, NEHMEN SIE BITTE KONTAKT MIT DER BOMFORD TURNER KUNDENDIENSTABTEILUNG AUF, DIE IHNEN GERNE DIE AKTUELLEN INFORMATION ZUKOMMEN LÄSST.

DAS HANDBUCH KANN SOWOHL BESCHREIBUNGEN FÜR DIE STANDARD AUSFÜHRUNG ALS AUCH FÜR ZUBEHÖR ENTHALTEN UND IST NICHT ALS MASCHINENSPEZIFIKATION ZU VERWENDET.

DIE MASCHINE IST GETESTET UND BEI SACHGEMÄSSEM BETRIEB ALS SICHER BEFUNDEN WORDEN. SORGEN SIE DAFÜR, DASS IHR BEDIENPERSONAL IN ANWENDUNG UND WARTUNG RICHTIG GESCHULT WIRD.

PAGE AND ILLUSTRATION NUMBERS ARE USED FOR REFERENCE PURPOSES AND SHOULD NOT BE USED FOR ORDERING SPARE PARTS. PLEASE ENSURE THE CORRECT PART NUMBER AND DESCRIPTION IS GIVEN WHEN ORDERING SPARE PARTS.

FOR MACHINES WITH SERIAL NUMBERS COMMENCING FROM

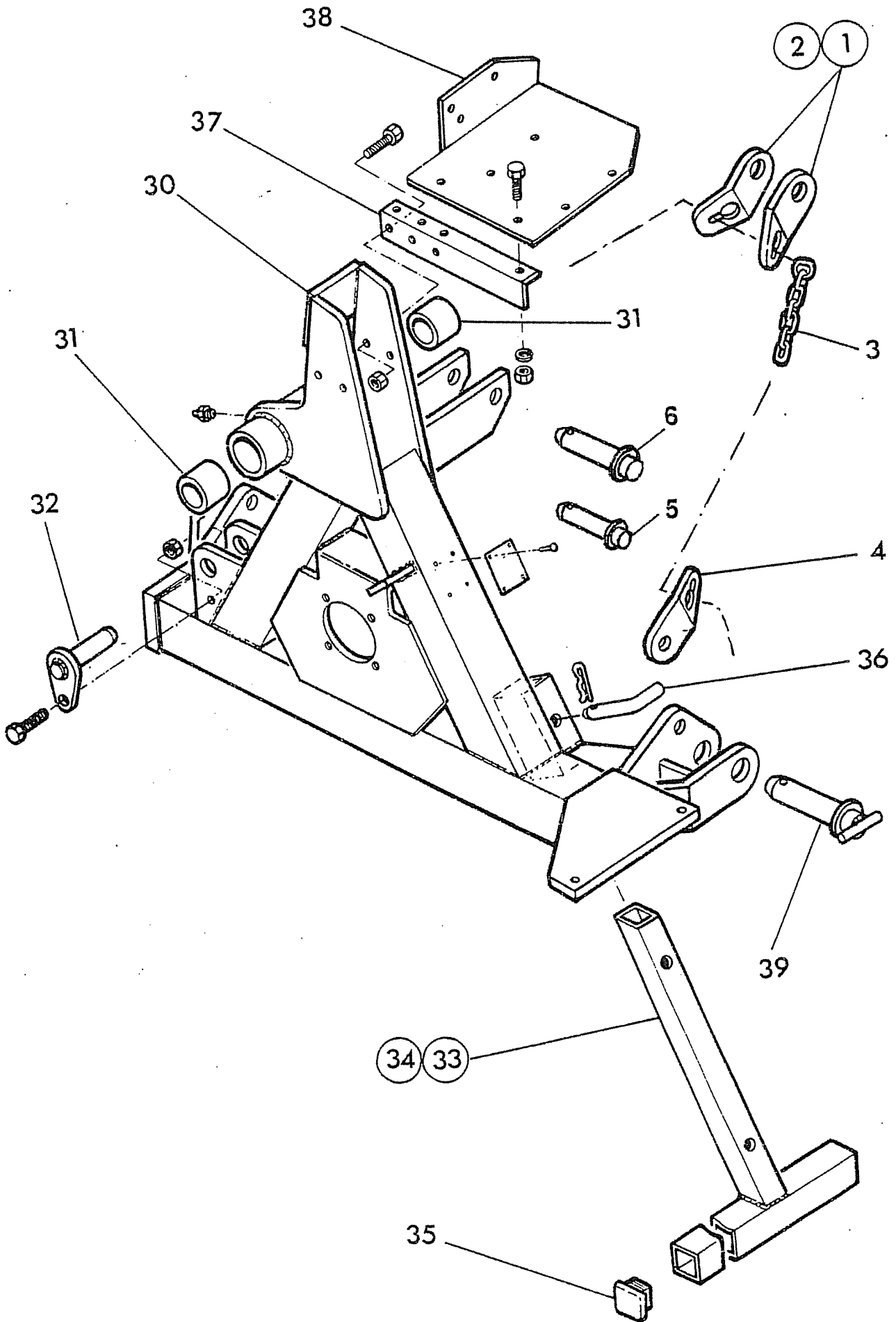
PAGE NO.	TITLE
1	INDEX
2-1 TO 2-2	CHAIN STABILIZER KIT MAINFRAME ASSEMBLY
3-1 TO 3-2	TANK FILTER
4-1 TO 4-6	FIRST ARM INTERMEDIATE BEAM SECOND ARM COWL BRACKET & LINKAGE
5-1 TO 5-2	REMOTE CONTROL ASSEMBLY
6-1 TO 6-2	CONTROL VALVE ASSEMBLY
7-1 TO 7-2	FIRST RAM SECOND RAM COWL RAM BREAKOUT RAM
8-1 TO 8-4	PTO AND GEARBOX PUMP ASSEMBLY PUMP CIRCUIT
9-1 TO 9-3	DECALS - ENGINEERING DECALS - MARKETING

IMPORTANT

IT IS POTENTIALLY HAZARDOUS TO FIT OR USE ANY PARTS OTHER THAN GENUINE BOMFORD TURNER PARTS.

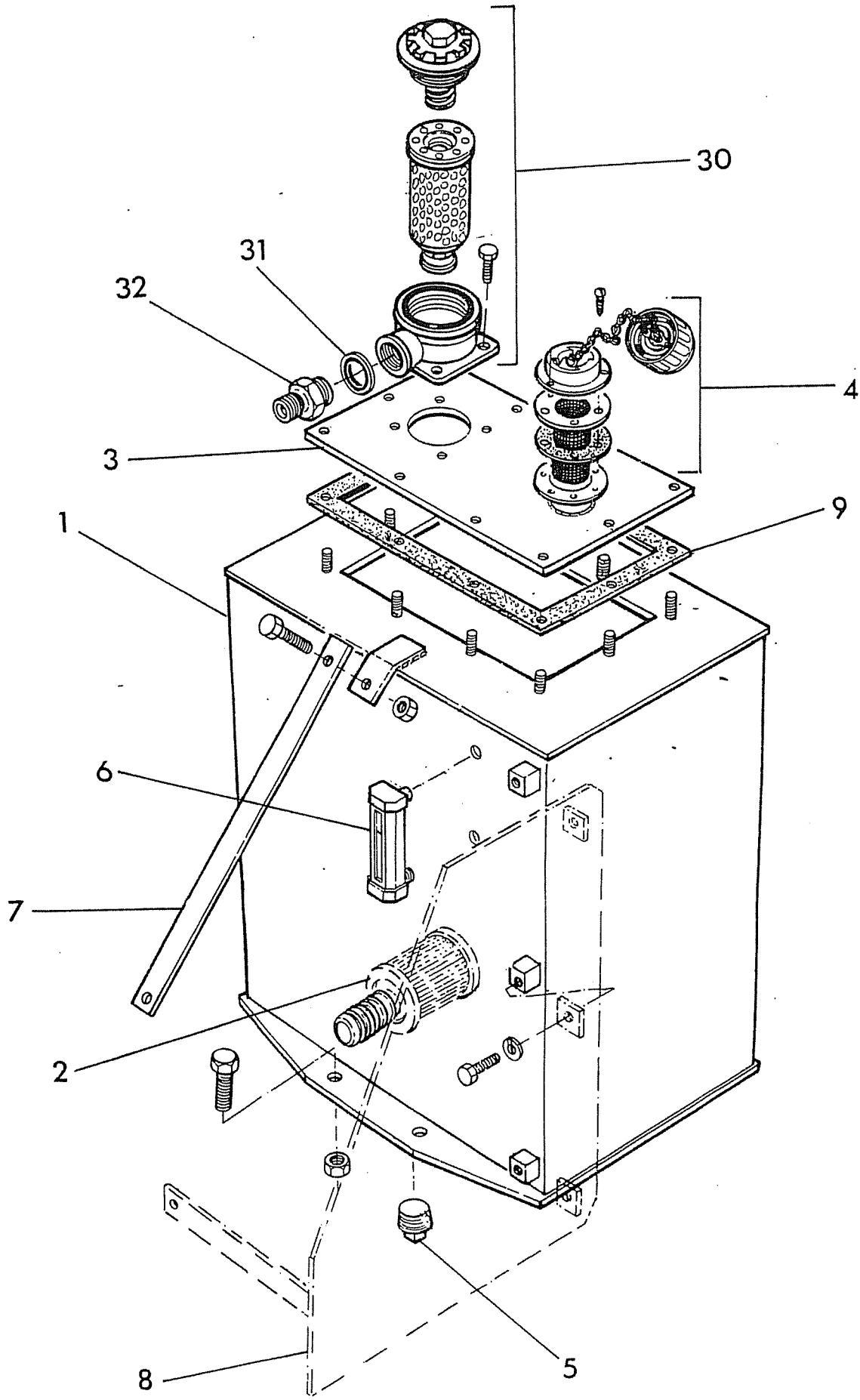
THE COMPANY DISCLAIMS ALL LIABILITY FOR THE CONSEQUENCES OF SUCH USE, WHICH IN ADDITION VOIDS THE MACHINE WARRANTY.

THIS MACHINE IS FOR VEGETATION CONTROL AND MUST NOT BE USED FOR ANY OTHER PURPOSE.



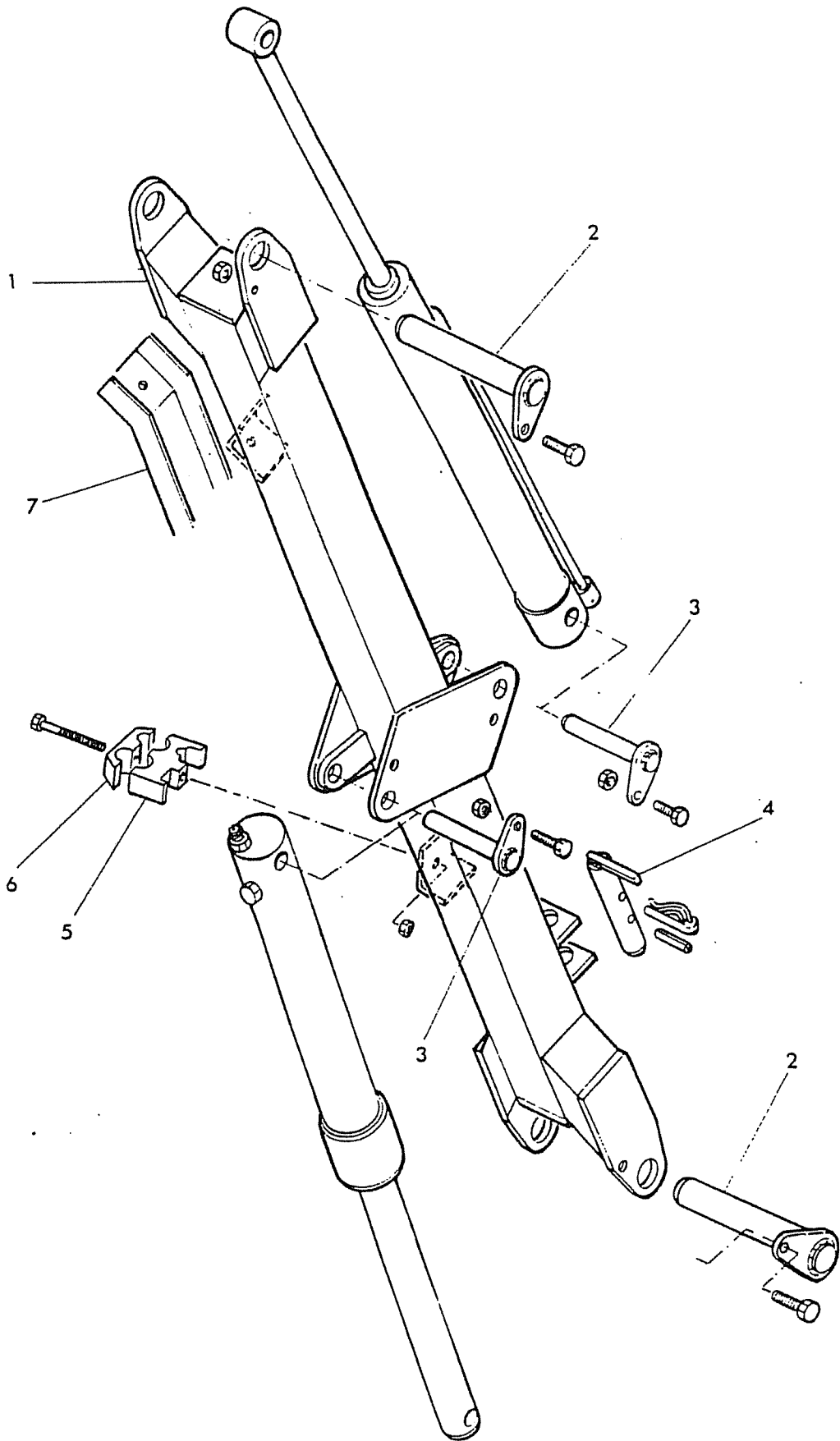
REF	PART NO.	DESCRIPTION	QTY
74.905.01		CHAIN KIT	
*01	09.999.01	PLATE - STABILIZER CAT 2	2
02	10.100.01	PLATE - STABILIZER CAT 1	2
03	10.105.01	CHAIN 8MM DIA X 1800MM	1
04	05.264.47	SETSCREW M20 X 50MM	2
04	05.287.02	SELF-LOCKING NUT M20	3
*04	41.148.01	STABILIZER PLATE	2
05	00.372.01	LINCH PIN	2
*05	03.874.01	PIN 3/4" DIA X 140MM	1
06	00.372.01	LINCH PIN	1
*06	03.873.01	PIN 1" DIA X 140MM	1
74.804.01		MAINFRAME ASSEMBLY	
30	01.070.04	GREASE NIPPLE 1/8" BSP	1
30	05.227.01	HAMMER DRIVE SCREW NO.6 X 3/8"	2
30	05.774.06	SERIAL NO. PLATE BOMFORD TURNER	1
*30	41.007.01	MAINFRAME LH	1
*31	7213023	BUSH	2
32	05.264.13	SETSCREW M10 X 30MM	1
*32	7198014	PIN - LIFT RAM ROD	1
*33	7198046	STAND LEG-LEFT HAND	1
*34	7198016	STAND LEG-RIGHT HAND	1
*35	7191108	TUBE INSERT	4
36	0431105	SPRING COTTER 5/32"	2
*36	7192023	PIN-LEG	2
37	05.264.12	SETSCREW M10 X 25MM	2
37	05.287.02	SELF-LOCKING NUT M10	2
*37	7191076	ANGLE 40 X 40 X 5 - 300 LG	1
38	05.264.01	SETSCREW M8 X 20MM	2
38	05.282.01	SPRING WASHER 8MM	2
38	05.286.01	NUT M8	2
*38	7191079	VALVE MTG W/ASSY	1
39	00.372.01	LINCH PIN	2
*39	06.318.01	PIN-1.1/8" DIA X 103	2

*MAIN PART IN GROUP, RELATED PARTS HAVE SAME REFERENCE NUMBER



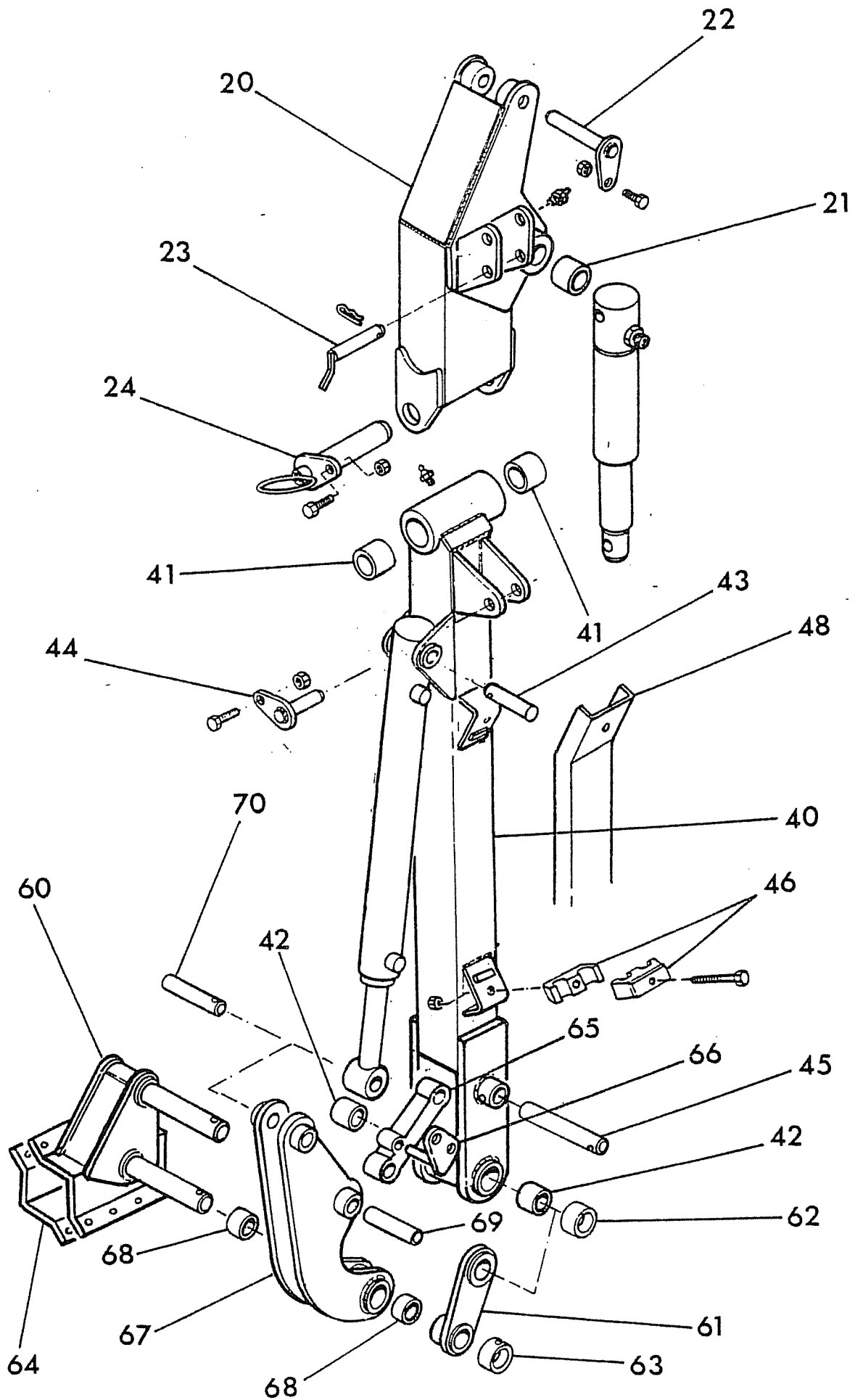
REF	PART NO.	DESCRIPTION	QTY.
74.802.01		TANK ASSEMBLY	
01	05.264.24	SETSCREW M12 X 35MM	4
01	05.287.03	SELF-LOCKING NUT M12	4
*01	41.006.01	TANK W/ASSY	1
*02	8401047	SUCTION STRAINER UC-SE-1324	1
03	05.281.01	FLAT WASHER 8MM	10
03	05.282.01	SPRING WASHER 8MM	10
03	05.286.01	NUT M8	10
*03	41.255.01	PLATE-FILLER/FILTER	1
*04	06.966.02	FILLER BREATHER CAP & STRAINER	1
*05	05.495.01	TAPER PLUG 1" BSP	1
*06	8401048	LEVEL GAUGE TYPE 69211	1
07	05.264.12	SETSCREW M10 X 25MM	1
07	05.953.01	GREASE NIPPLE M6	1
*07	41.011.01	STAY-TANK	1
08	05.284.11	SETSCREW M10 X 20MM	3
08	05.282.02	SPRING WASHER 10MM PLATED	3
*08	41.013.01	COVER-MAINFRAME	1
*09	08.605.01	GASKET	1
74.803.01		FILTER ASSEMBLY	
30	05.264.01	SETSCREW M8 X 20MM	4
30	05.282.01	SPRING WASHER 8MM	4
*30	41.041.01	FILTER UCC REF 3301.346	1
30	41.041.02	FILTER ELEMENT UCC REF MFR 3300	-
*31	05.290.08	BONDED SEAL 1.1/4" BSP	1
*32	05.131.01	ADAPTOR 1" X 1.1/4" BSP	1

*MAIN PART IN GROUP, RELATED PARTS HAVE SAME REFERENCE NUMBER



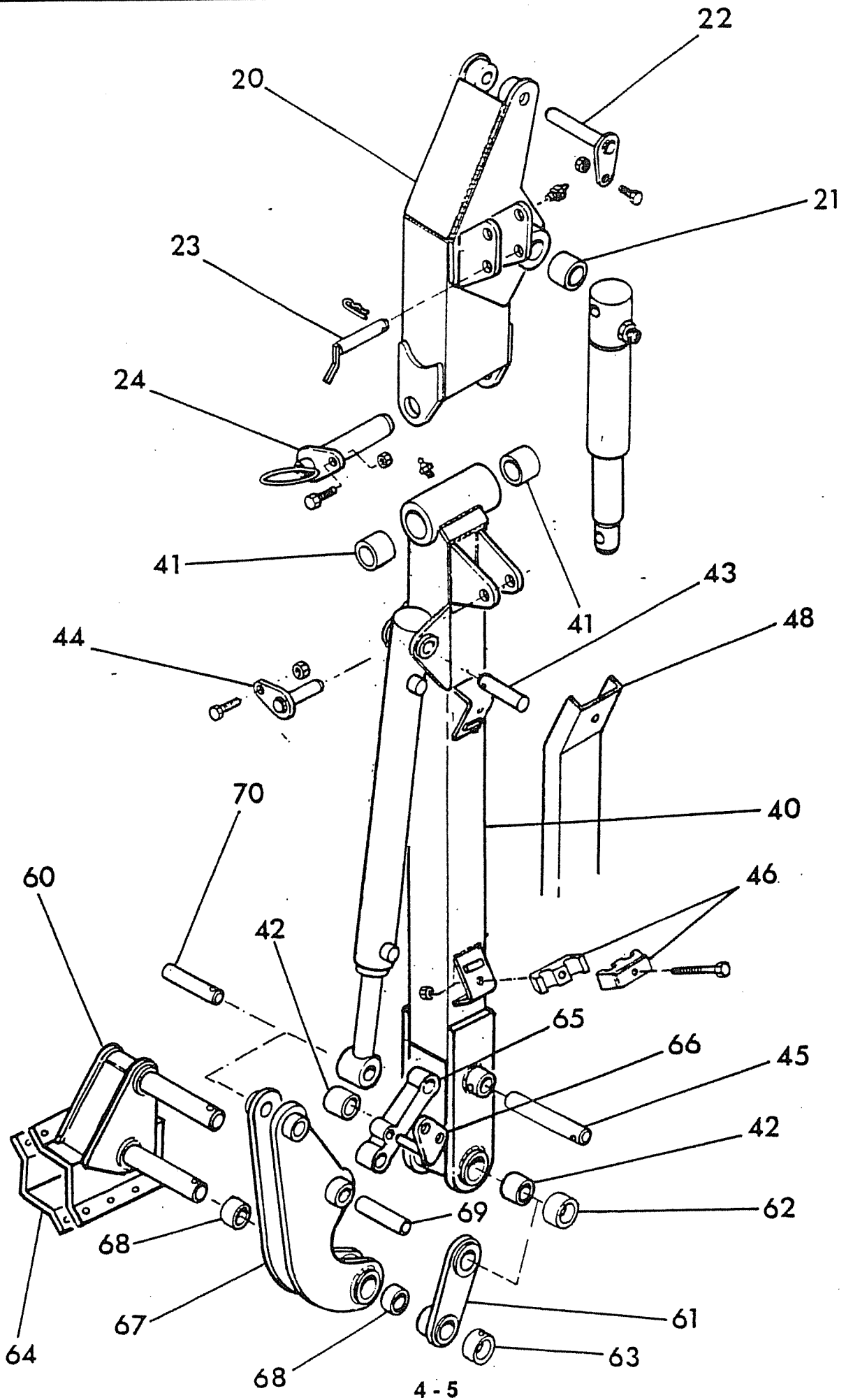
REF	PART NO.	DESCRIPTION	QTY.
74.931.01		FIRST ARM	
*01	41.008.01	ARM-FIRST LH	1
02	05.264.14	SETSCREW M10 X 35MM	2
02	05.287.02	SELF-LOCKING NUT M10	2
*02	7191033	PIN-MAIN ARM PIVOT	2
03	05.264.12	SETSCREW M10 X 25MM PLATED	2
03	05.287.02	SELF-LOCKING NUT M10	2
*03	7191038	PIN-REACH RAM BASE	2
04	0428140	SPRING DOWEL 10 X 40MM	1
04	0431216	LARGE LINCH PIN M351	1
*04	7198017	TRANSPORT LOCK PIN	1
*05	06.430.16	HOSE CLAMP-LOWER	2
*06	06.430.15	HOSE CLAMP-UPPER	2
*07	7198341	HOSE COVER-MAIN ARM	1
07	04.282.69	STUD - M10 X 105	2
07	05.281.02	FLAT WASHER 10MM	2
07	05.286.02	NUT M10 PLATED	2

*MAIN PART IN GROUP, RELATED PARTS HAVE SAME REFERENCE NUMBER



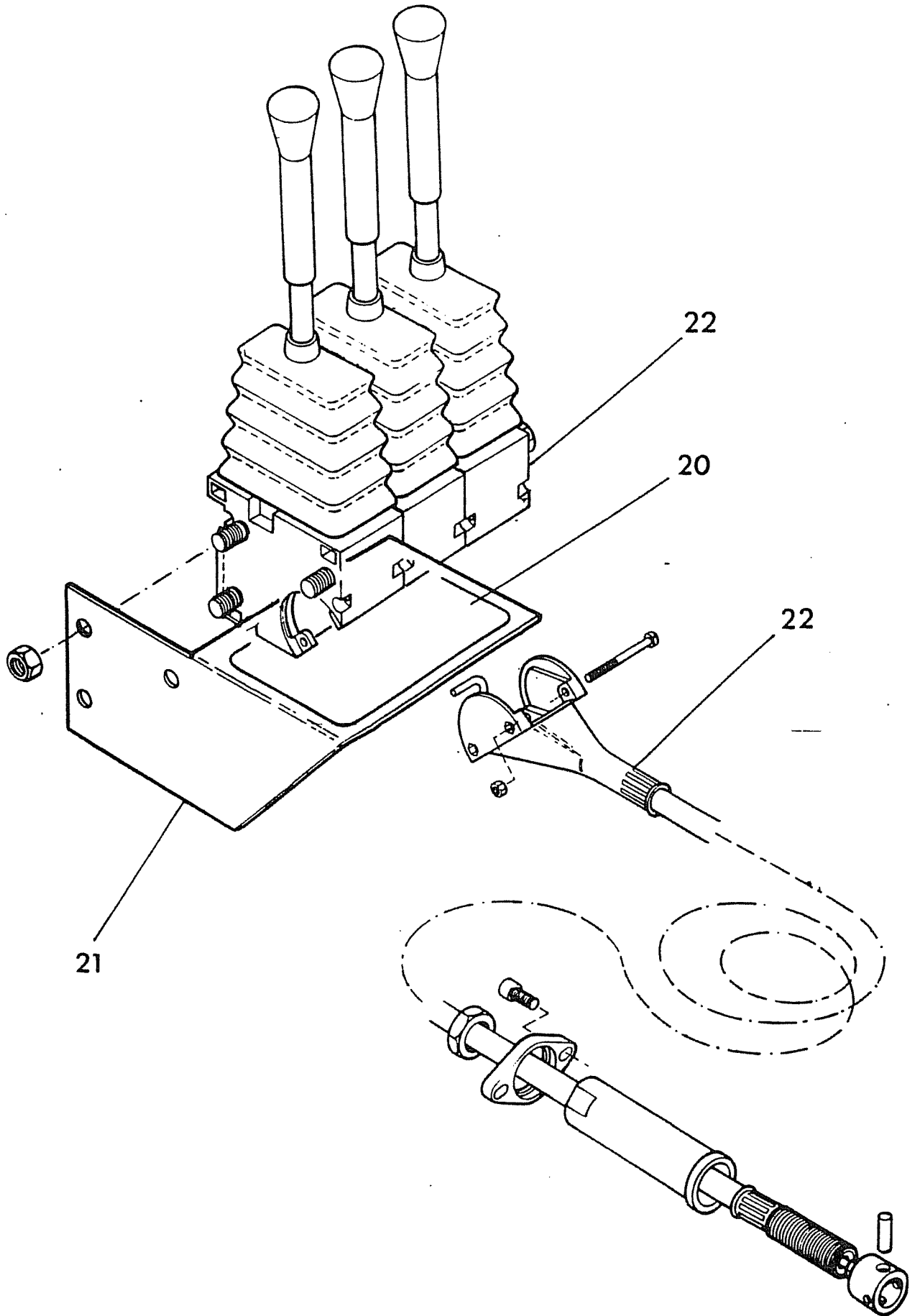
REF	PART NO.	DESCRIPTION	QTY
74.794.01 INTERMEDIATE BEAM			
20	01.070.04	GREASE NIPPLE 1/8" BSP	1
*20	41.009.01	ARM-DIPPER UPPER LH	1
*21	7213023	BUSH	2
22	05.264.13	SETSCREW M10 X 30MM	1
22	05.287.02	SELF-LOCKING NUT M10	2
*22	7191038	PIN-REACH RAM BASE	1
23	0431105	SPRING COTTER 5/32"	1
*23	7191036	B/WAY RAM BASE PIN	1
24	05.264.14	SETSCREW M10 X 35MM	1
*24	7190815	PIN-B/A PIVOT	1
74.930.01 SECOND ARM			
40	03.786.02	INSTRUCTION PLATE-GREASE M10	1
40	05.953.04	GREASE NIPPLE M10 90 DEG	1
*40	41.010.01	ARM-SECOND LH	1
*41	7213023	BUSH	2
*42	08.297.02	BUSH-PLASTIC 47 X 40 X 40	2
*43	03.653.58	PIN-DIA 25 X 138	1
43	05.201.07	TENSION PIN 8MM X 45MM	1
44	05.264.13	SETSCREW M10 X 30MM	1
44	05.287.02	SELF-LOCKING NUT M10	1
*44	7191037	PIN-B/WAY RAM ROD END	1
45	05.201.07	TENSION PIN 8MM X 45MM	1
*45	03.654.60	PIN-DIA 30 X 164	1
*46	7190148	PIPE CLAMP	2
48	05.287.02	SELF-LOCKING NUT M10	2
48	05.291.18	BOLT M10 X 65 PLATED	2
*48	41.012.01	COVER-HOSE	1

*MAIN PART IN GROUP, RELATED PARTS HAVE SAME REFERENCE NUMBER



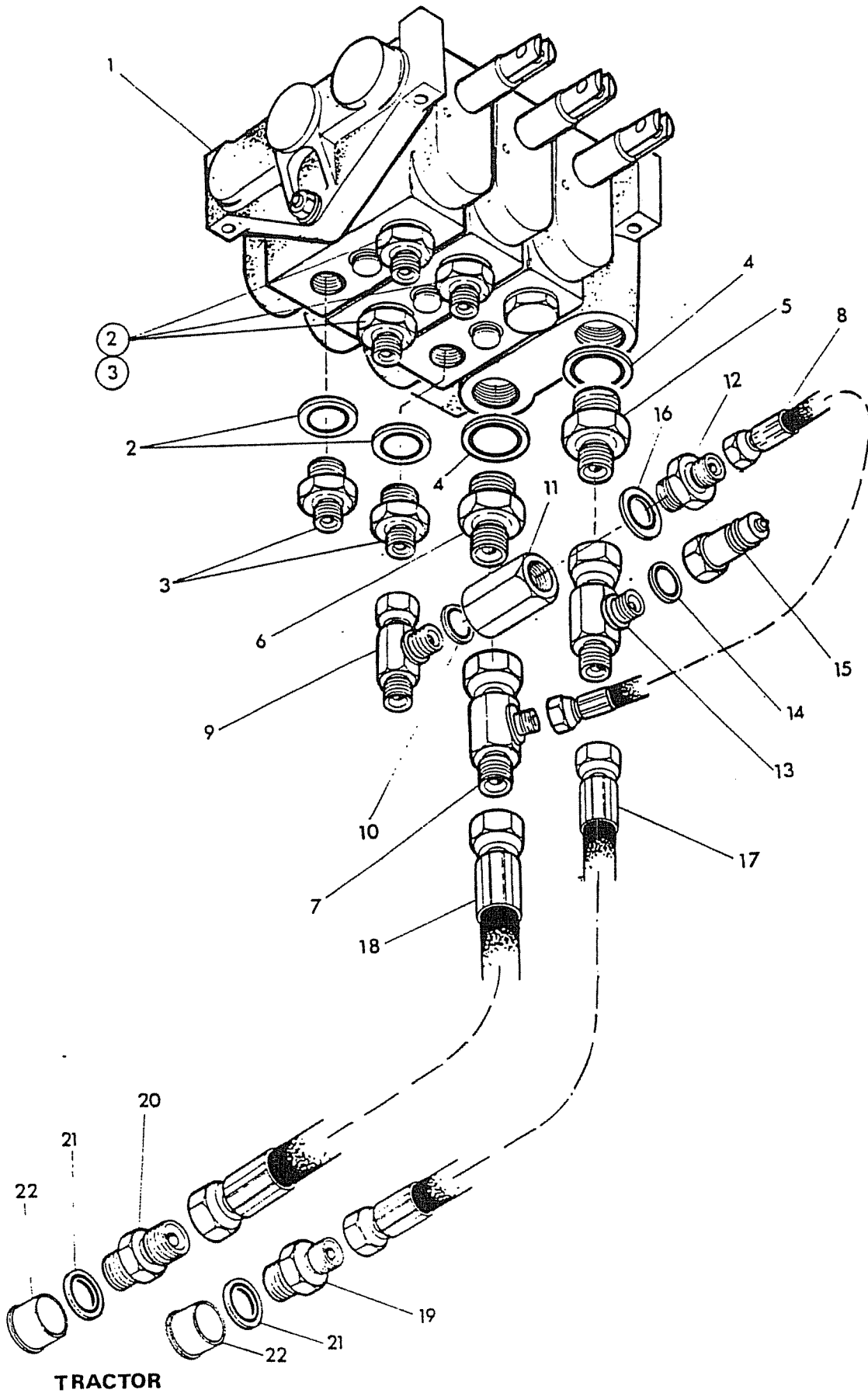
REF	PART NO.	DESCRIPTION	QTY
74.789.01		COWL BRACKET & LINKAGE	
*60	09.784.01	BRACKET-COWL LH	1
*61	09.783.01	BRACKET-SUPPORT	1
*62	03.837.01	SPACER 55 X 40.5 X 20	1
62	05.282.02	SPRING WASHER 10MM PLATE	1
62	05.287.02	SELF-LOCKING NUT M10	1
62	05.291.19	BOLT M10 X 70MM	1
63	05.287.02	SELF-LOCKING NUT M10	-
63	05.291.18	BOLT M10 X 65	1
*63	09.795.01	COLLAR-35 X 20 (ZINC PLATED)	1
64	05.264.25	SETSCREW M12 X 40MM	6
64	05.282.03	SPRING WASHER 12MM	6
64	05.286.03	NUT M12	6
*64	07.947.01	CLAMP-COWL BRACKET	1
65	03.786.01	INSTRUCITON PLATE-GREASE M6	2
65	05.593.01	GREASE NIPPLE M6	1
65	05.593.05	GREASE NIPPLE M6 X 90 DEG	1
*65	09.786.01	LINK	1
66	05.282.04	SPRING WASHER 16MM	1
66	05.286.04	NUT M16	1
*66	41.236.01	BRACKET-HOSE LH	1
67	03.786.02	INSTRUCTION PLATE-GREASE M10	1
67	05.953.03	GREASE NIPPLE M10	1
*67	09.785.01	BRACKET-COWL LINK	1
*68	08.297.05	PLASTIC BUSH-42 X 35-30	2
*69	03.654.59	PIN-DIA 30 X 128	1
69	05.201.07	TENSION PIN 8MM X 45MM	1
70	05.201.07	TENSION PIN 8MM X 45MM	1
*70	03.653.59	PIN - DIA 25 X 128MM	1

*MAIN PART IN GROUP, RELATED PARTS HAVE SAME REFERENCE NUMBER



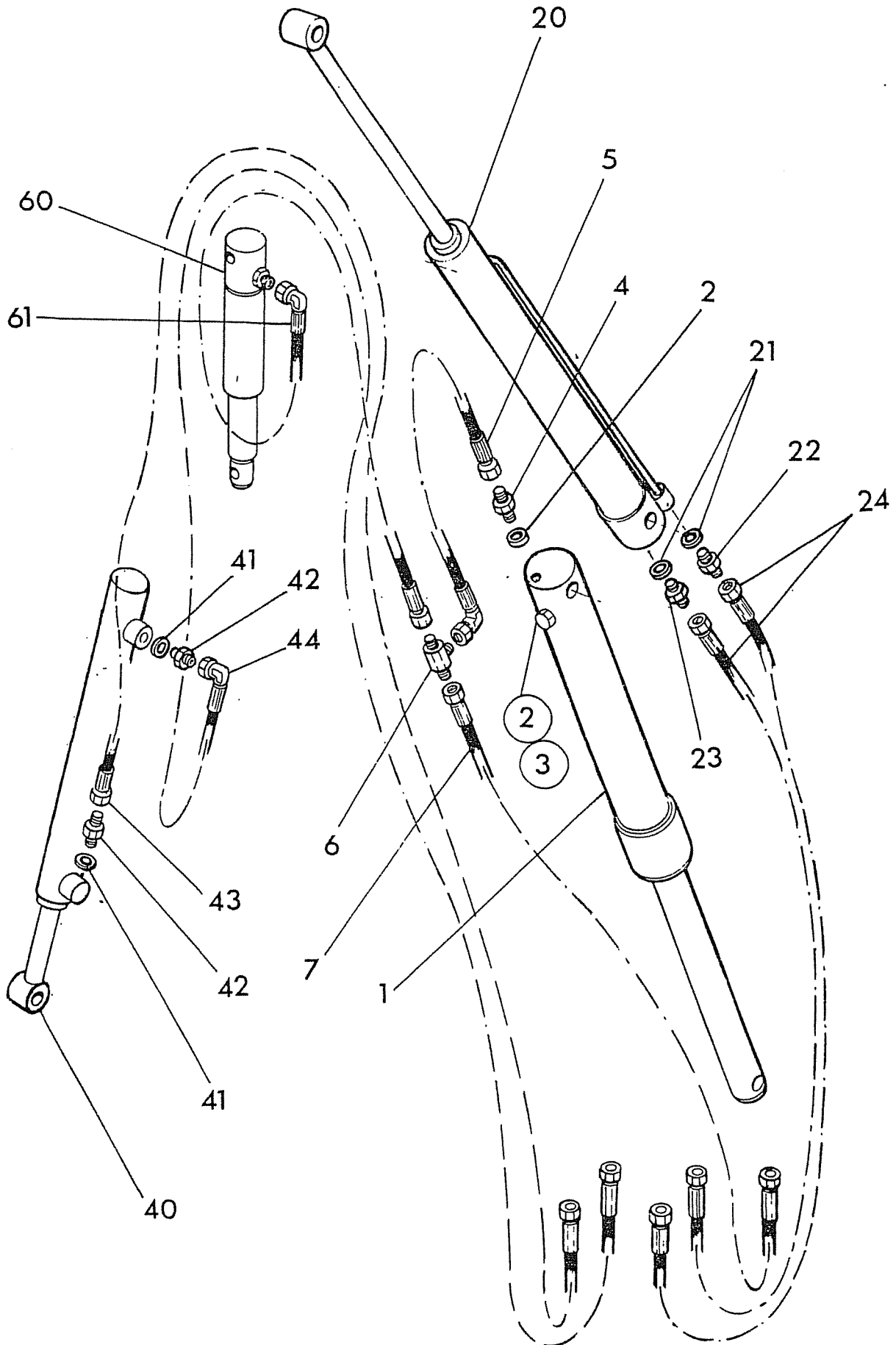
REF	PART NO.	DESCRIPTION	QTY.
74.920.01		REMOTE CONTROL	
*20	09.916.13	DECAL-LEVER OP.3 LEVER LH	1
21	05.839.03	SETSCREW M8 X 16MM PLATED	2
21	04.265.08	WING NUT M8 - PLATED	2
*21	41.181.01	BRACKET-3 LEVER MOUNTING LH	1
22	04.282.73	STUD - M6 X 149	3
22	05.281.10	FLAT WASHER 6MM	3
22	05.282.07	SPRING WASHER 6MM	3
22	05.286.10	NUT M6	6
*22	09.968.01	CABLE ASSY TMC - 2.5M	3

*MAIN PART IN GROUP, RELATED PARTS HAVE SAME REFERENCE NUMBER.



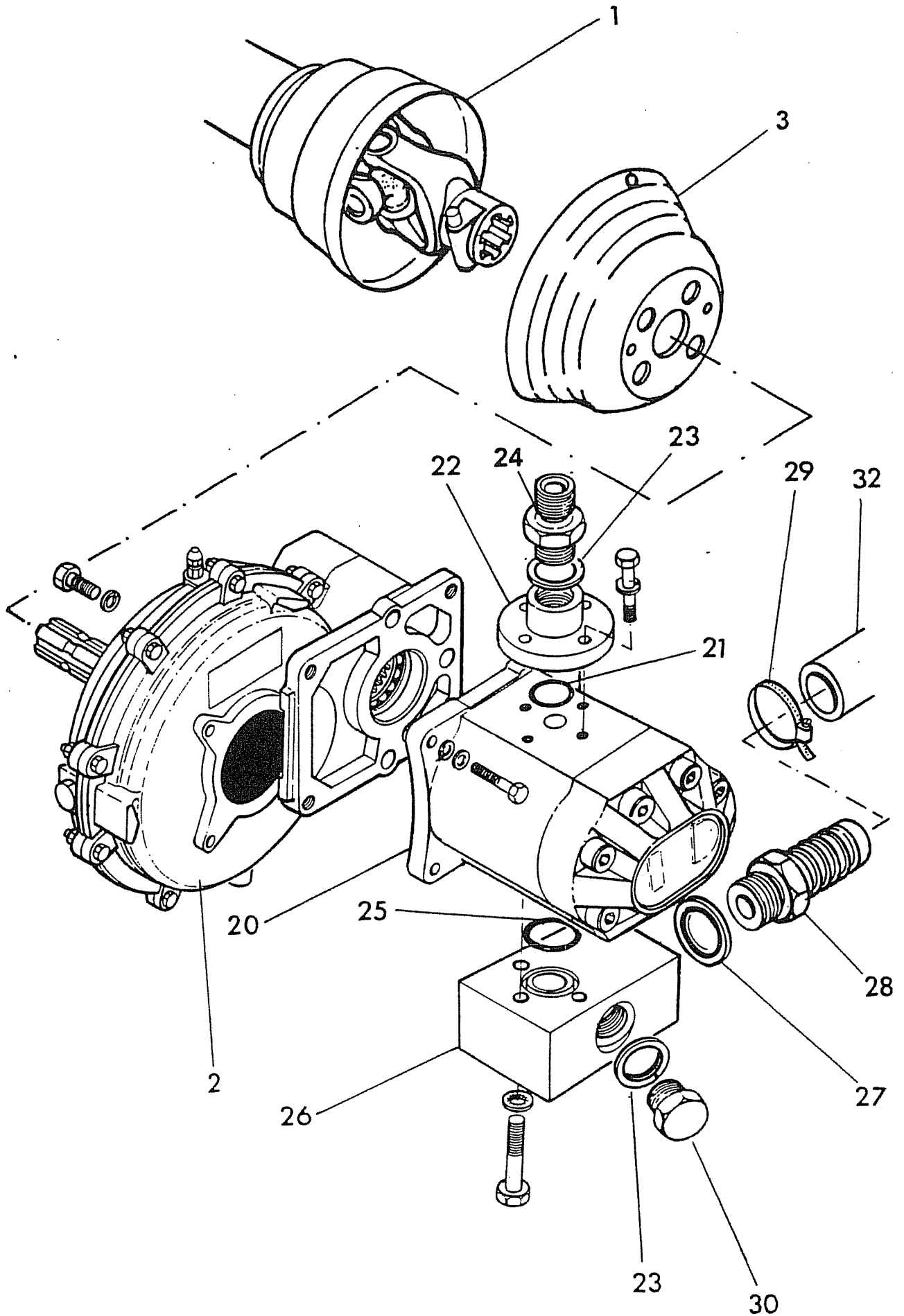
REF	PART NO.	DESCRIPTION	QTY
	74.935.01	CONTROL VALVE	
01	05.282.02	SPRING WASHER 10MM PLATED	3
01	05.286.02	NUT M10 PLATED	3
01	05.291.17	BOLT M10 X 60MM PLATED	3
01	05.625.11	SKT CAPSCREW 1/4UNC X 5/8	6
*01	41335.01	VALVE ASSY-3 SPOOL KONTAK	1
*02	05.290.05	BONDED SEAL 1/2" BSP	5
*03	01.099.03	ADAPTOR 1/2 BSP X 1/4 BSP	5
*04	05.290.06	BONDED SEAL 3/4" BSP	2
*05	05.128.01	ADAPTOR 3/4 BSP X 3/8" BSP	1
*06	05.376.01	ADAPTOR 3/4 BSP X 1/2" BSP	1
*07	04.056.25	ADAPTOR T FMM 1/2" X 1/2" X 1/4"	1
*08	10.002.10	HOSE 1/4" BSP ST X 90 S.SEAL 500	1
*09	04.056.10	ADAPTOR-TEE 1/4" BSP F/M/M	1
*10	05.290.02	BONDED SEAL 1/4" BSP	1
*11	41.033.02	RELIEF VALVE ASSY - 190 BAR	1
*12	01.099.03	ADAPTOR 1/2 BSP X 1/4 BSP	1
*13	04.056.16	ADAPTOR F/M/M 3/8 X 3/8 X 1/4 BSP	1
*14	05.290.02	BONDED SEAL 1/4" BSP	1
*15	05.146.12	Q/R COUPLING 1/4" BSP MALE	1
*16	05.290.05	BONDED SEAL 1/2" BSP	1
*17	10.004.29	HOSE-SUPPLY FROM TRACTOR	1
*18	10.006.29	HOSE-RETURN TO TRACTOR	1
*19	05.123.01	ADAPTOR 1/2" BSP - 3/8" BSP MM	1
*20	05.122.01	UNION 1/2" BSP MM	1
*21	05.290.05	BONDED SEAL 1/2" BSP	2
*22	05.300.03	PLASTIC CAP 1/2" BSP	2

*MAIN PART IN GROUP, RELATED PARTS HAVE SAME REFERENCE NUMBER.



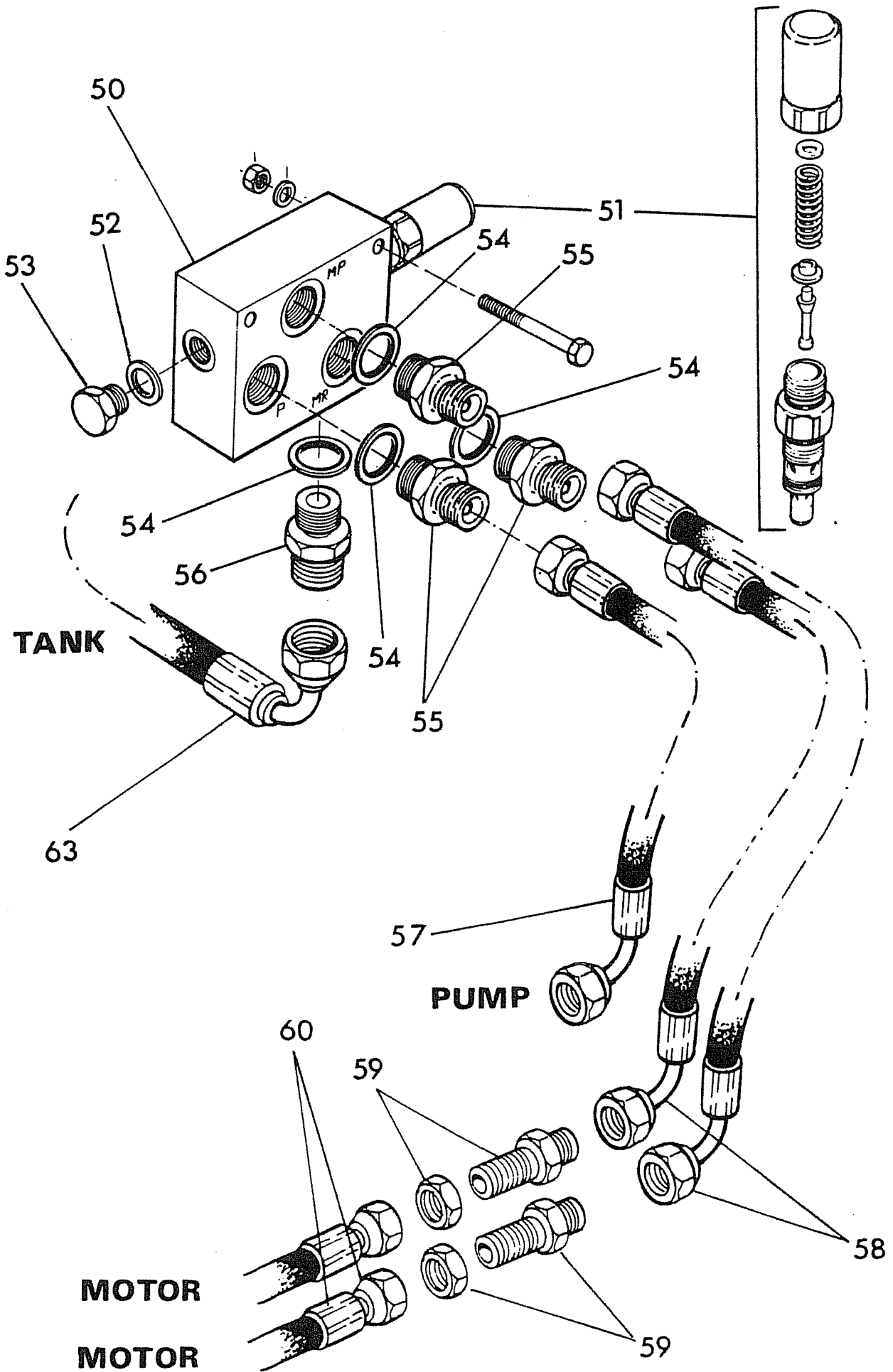
REF	PART NO.	DESCRIPTION	QTY.
74.799.01		FIRST RAM	
01	01.070.04	GREASE NIPPLE 1/8" BSP	1
*01	7192332	LIFT RAM ASSEMBLY	1
01	8699213	SEAL KIT	-
*02	05.290.04	BONDED SEAL 3/8"BSP	2
03	05.433.01	PLUG 3/8" BSP	1
*04	03.028.08	RESTRICTOR 3/8" X 1/4" BSP 1.27MM	1
*05	10.002.09	HOSE 1/4" BSP ST X 90 S. SEAL 450	1
*06	04.056.07	ADAPTOR TEE 1/4"BSP M/M/M	1
*07	10.011.25	HOSE 1/4" BSP ST X ST S. SEAL 1500	1
74.800.01		SECOND RAM	
*20	7198266	REACH RAM ASSY	1
20	8699190	SEAL KIT	-
*21	05.290.04	BONDED SEAL 3/8"BSP	2
*22	03.028.08	RESTRICTOR 3/8" BSP X 1/4"BSP 1.27MM	1
*23	03.028.12	RESTRICTOR 3/8" X 1/4" BSP 1.70MM	1
*24	10.001.29	HOSE 1/4" BSP ST X ST S. SEAL 1900	2
74.790.01		COWL RAM	
40	04.156.13	SEAL KIT-D/A (04156 D/A RAMS)	-
*40	04.156.24	RAM ASSY-D/A 60 BORE X 430MM	1
40	05.953.01	GREASE NIPPLE M6	2
*41	05.290.04	BONDED SEAL 3/8"BSP	2
*42	03.028.08	RESTRICTOR 3/8"BSP X 1/4"BSP 1.27MM	2
*43	05.990.63	HOSE 1/4"BSP ST X ST S. SEAL 4000	1
44	10.002.49	HOSE 1/4"BSP ST X 90 S. SEAL 3900	1
74.801.01		BREAKOUT RAM	
*60	7198292	BREAK AWAY RAM ASSY	1
*61	10.002.31	HOSE 1/4" BSP ST X 90 S. SEAL 2100	1

*MAIN PART IN GROUP, RELATED PARTS HAVE SAME REFERENCE NUMBER




REF	PART NO.	DESCRIPTION	QTY.
76.070.01		PTO AND GEARBOX	
01	04.043.03	PTO SHAFT GUARD ASSY	-
*01	04.043.20	PTO SHAFT GUARD ASSY	1
02	05.264.24	SETSCREW M12 X 35MM	4
02	05.282.03	SPRING WASHER 12MM	4
*02	8013444AP	GEARBOX	1
03	05.281.01	FLAT WASHER 8MM	2
03	05.282.01	SPRING WASHER 8MM	2
*03	08.548.01	GUARD-PLASTIC PTO CUP	1
03	30.068.01	SCREW M8 X 12 8.8 GRADE Z/P	2
74.933.01		PUMP ASSY	
20	05.281.01	FLAT WASHER 8MM	4
20	05.283.01	SHAKEPROOF WASHER 8MM	4
20	05.291.03	BOLT M8 X 40MM	4
*20	8201463	PUMP-ULTRA 2PL105 CSC*BN	1
*21	8600119	'O' RING 200-214, 4475	1
22	05.283.01	SHAKEPROOF WASHER 8MM	4
22	05.264.01	SETSCREW M8 X 25MM	4
*22	8013088	FLANGE 3/4" BSP	1
*23	05.290.06	BONDED SEAL 3/4" BSP	2
*24	05.377.01	ADAPTOR 3/4"BSP X 3/4" BSP	1
*25	8600122	"O" RING 200-217-4480	1
26	05.283.01	SHAKEPROOF WASHER 8MM	4
26	05.291.09	BOLT M8 X 70MM	4
*26	7192371	SUCTION BLOCK	1
*27	05.290.08	BONDED SEAL 1.1/4" BSP	1
*28	8581260	ADAPTOR 1.1/4"BSP (M) X 1/2" LOW P	1
*29	0904204	HOSE CLIP-SIZE 25 *BI*	2
*30	8581302	PLUG 3/4" BSP	1
*32	06.288.02	HOSE 1.1/2" BORE X 430MM	1

*MAIN PART IN GROUP, RELATED PARTS HAVE SAME REFERENCE NUMBER



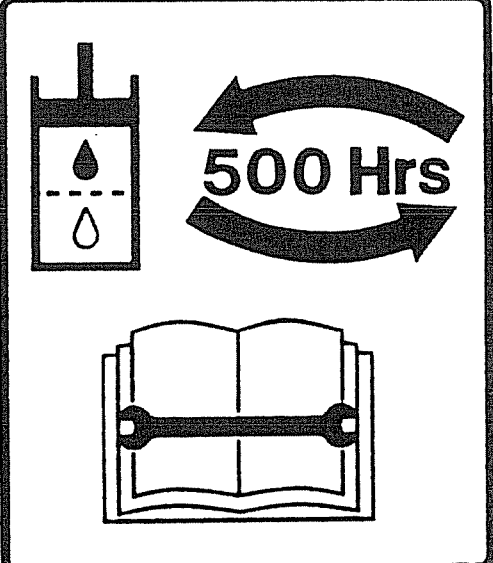
REF	PART NO.	DESCRIPTION	QTY
		74.934.01 PUMP CIRCUIT	
*50	8125352	RELIEF VALVE BLOCK	1
*51	8125108	CARTRIDGE VM10/1.Z3	1
*52	05.290.04	BONDED SEAL 3/8" BSP	1
*53	05.433.01	PLUG 3/8" BSP	1
*55	05.377.01	ADAPTOR 3/4" BSP X 3/4" BSP	3
*56	05.373.01	ADAPTOR 3/4" BSP X 1" BSP	1
*57	10.010.21	HOSE 3/4" BSP ST X 90 S.SEAL 1100	1
*58	10.010.58	HOSE 3/4" BSP ST X 90 S.SEAL 4900	2
*59	08.128.08	ADAPTOR BULKD 3/4" BSP C/W LNUT	2
*60	10.009.33	HOSE 3/4" BSP ST/ST S.SEAL 2300	2
*62	0904204	HOSE CLIP - SIZE 25	4
*63	10.012.18	HOSE 1" BSP ST/ST S.SEAL 2300	1

*MAIN PART IN GROUP, RELATED PARTS HAVE SAME REFERENCE NUMBER



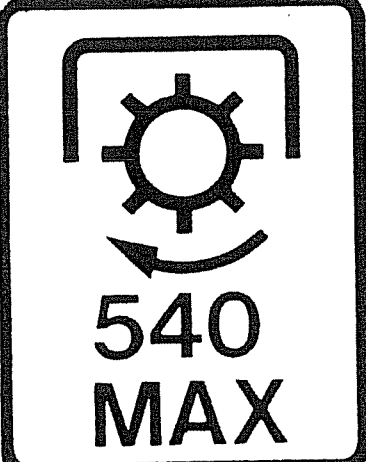
ANTAR	Agri 88 ROW 30
B.P.	Emergency 32 1750
	Emergency 48 1750
	Emergency 66 1750
BRASWEN	MO 32v
(A111)	Plastic 80 66
	1 ton 500 Motor Oil 17W
	10W Oil 210 10W
CATROK	Hydro 80W 68 1 ton 80W 68
	Hydro 80W 68 1 ton 80W 68
	Agri 88 1 ton 10W 30 1 ton 20 30
	Agri 88 1 ton 10W 30
CFRILUPY On S	Row 30
CRANEA EM	Compa 17C 10 Hydraulic Oil
DALTON	Sublime - Grate 210
DEWHAMT	Fourfold Machine 17W 30
	Zircon 737
	Zircon 88
EIT	Multi-purpose 28 ROW 30
	Oil 44
	Hydro 32
	Hydro 68
	Ureol 800
ESSO	Hydraulic Oil ROW 30
PETROFF	W7C 48 C Multi purpose Hydraulic Oil
FORO	Quilube Stone Oil 80W 30
GARF	Cell Hydraulic 32
	Multi G ROW 30
J.O. WILMANAN	Alpha G 17W 30
	Hydro 68
	FVT 66 Fourfold Treated Hydraulic Oil
	DTF 75
LENGCO	Delvac Semi of ROW 30
MORR	1 ton Delta Multi-grade ROW 30
NIE 24	Ford Hydro 32
PH THONGA	Ford Hydro 68
	Solus 566
SHILL	Solus 737
TRABCO	Rapido 87 32
	Rapido CJ 66
TOTAL	Esso 25.32
	Esso 25.44

09.845.01



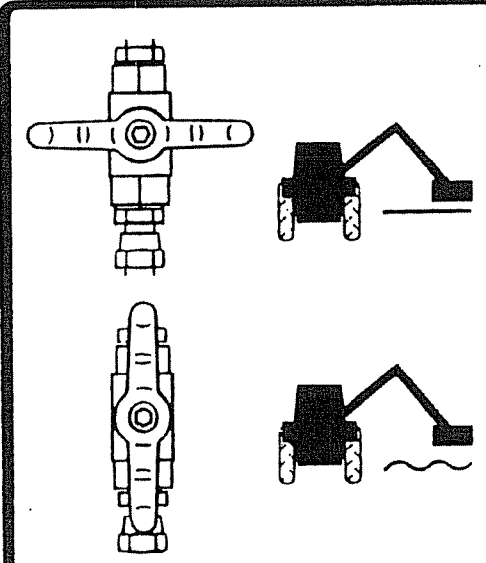
500 Hrs

09.846.01



**540
MAX**

09.811.01

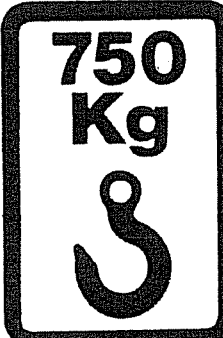


09.852.01



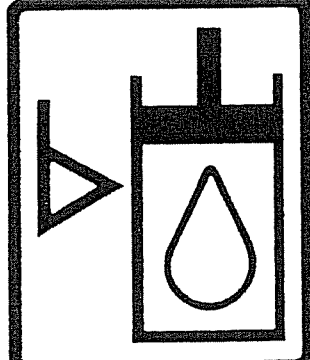
**8
Hrs**

09.810.01



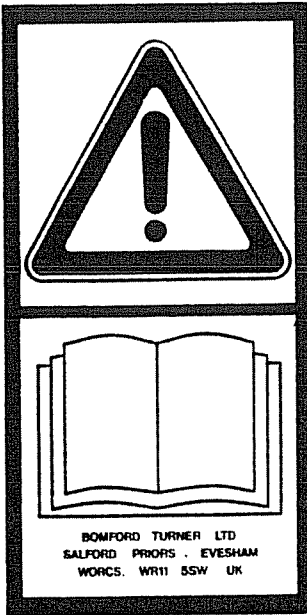
**750
Kg**

09.843.04



09.844.01

REF	PART NO.	DESCRIPTION	QTY.
72.491.01		DECALS - ENG	
*01	09.852.01	DECAL - ARM FLOAT	1
*02	09.846.01	DECAL - OIL FILTER CHANGE	1
*03	09.845.01	DECAL - APPROVED OILS	1
*04	09.844.01	DECAL - OIL LEVEL	1
*05	09.811.01	DECAL - MAX PTO SPEED 540	1
*06	09.821.01	DECAL - READ INSTRUCTION BOOK	1
*07	09.821.03	DECAL - DON'T STAND UNDER ARMS	4
*08	09.821.09	DECAL - HOT SURFACES	1
*09	09.821.07	DECAL - RESIDUAL PRESSURE	1
*10	09.821.10	DECAL - KEEP NUTS TIGHT	1
*11	09.810.01	DECAL - GREASE (8 HOURS)	15
*12	09.821.02	DECAL - STAY CLEAR O'HD CABLES	1
*13	09.821.16	DECAL - KEEP OUT ZONE	1
*14	09.843.04	DECAL - LIFT POINT 750KG	1
*15	09.821.20	DECAL - SHAFT ENTANGLEMENT	1
*16	09.821.23	DECAL - PINCH POINT	1
72.928.01		DECALS - MARKETING	
*20	09.980.04	DECAL - B407	1
*21	09.988.01	DECAL - BOMFORD	1



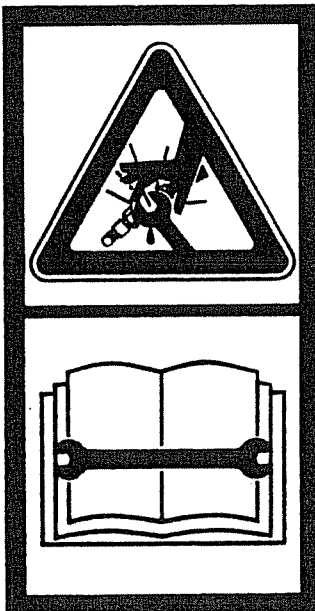
09.821.01



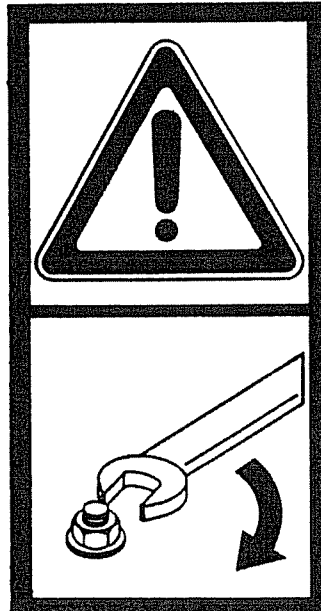
09.821.03



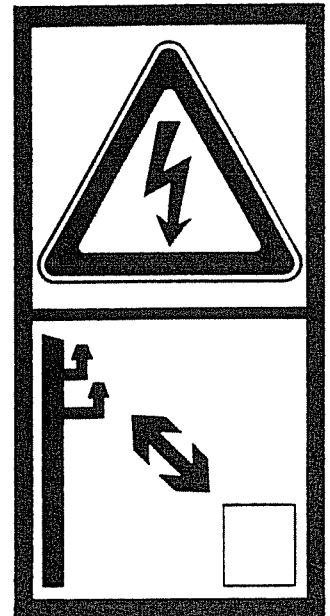
09.821.09



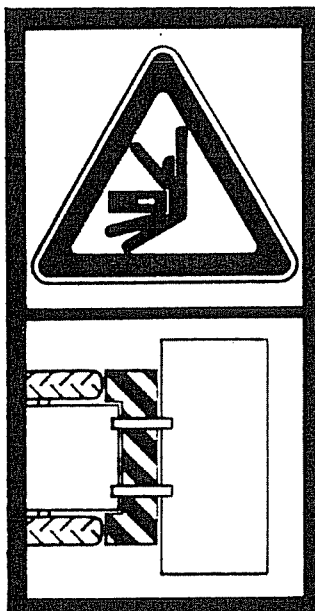
09.821.07



09.821.10



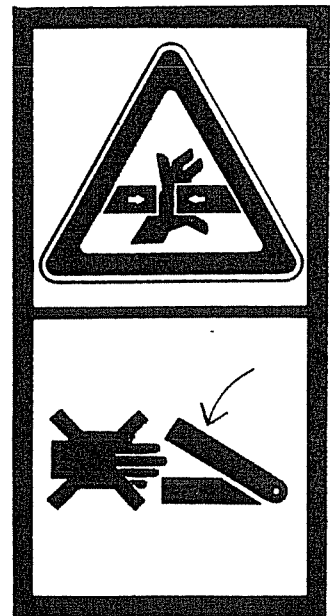
09.821.02



09.821.16



09.821.20



09.821.23