

PM960

B397, B457

ARM MOWER

PARTS MANUAL

ISSUE 2

IMPORTANT

NOTE HERE THE SERIAL NUMBER OF YOUR MACHINE AND ALWAYS QUOTE IT IN ANY COMMUNICATION WITH US OR YOUR DEALER. THIS IS PARTICULARLY IMPORTANT WHEN ORDERING SPARES. REMEMBER TO INCLUDE ALL NUMBERS AND LETTERS.

MACHINE SERIAL NUMBERS _____

THE INFORMATION GIVEN THROUGHOUT THIS MANUAL IS CORRECT AT THE TIME OF PUBLICATION. HOWEVER, IN THE COURSE OF CONSTANT DEVELOPMENT OF BOMFORD TURNER MACHINES, CHANGES IN SPECIFICATION ARE INEVITABLE. SHOULD YOU FIND THE INFORMATION GIVEN IN THIS BOOK TO BE AT VARIANCE WITH THE MACHINE IN YOUR POSSESSION, YOU ARE ADVISED TO CONTACT THE BOMFORD TURNER SERVICE DEPARTMENT WHERE UP-TO-DATE INFORMATION WILL BE PROVIDED.

THE MANUAL CAN CONTAIN STANDARD AND OPTIONAL FEATURES AND IS NOT TO BE USED AS A MACHINE SPECIFICATION.

THE MACHINE HAS BEEN TESTED AND IS CONSIDERED SAFE IF CAREFULLY USED. ENSURE YOUR OPERATOR IS PROPERLY TRAINED IN ITS USE AND MAINTENANCE.

IMPORTANT

NOTEZ ICI LES NUMEROS DE SERIE DE VOTRE MACHINE ET MENTIONNEZ LES DANS TOUTE COMMUNICATION AVEC NOS SERVICES OU VOTRE REVENDEUR. CECI EST IMPORTANT POUR LA COMMANDE DE PIECES DETACHEES. PENSEZ A NOTER TOUS LES NUMEROS ET TOUTES LES LETTERS.

NUMEROS DE SERIE DE LA MACHINE _____

LES INFORMATIONS DONNEES DANS CE MANUEL SONT CORRECTES CEPENDANT, DU FAIT DE DEVELOPPEMENT CONSTANT DES MACHINES BOMFORD TURNER.

CHANGEMENTS DANS LES CARACTERISTIQUES SONT INEVITABLES.

SI VOUS TROUVEZ QUE LES INFORMATIONS DONNEES NE CORRESPONDENT PAS A VOTRE MACHINE VEUILLEZ CONTACTER LE SERVICE DES REPARATIONS OU DES INFORMATIONS PLUS RECENTES VOUS SERONT DONNEES. CE MANUEL PEUT MONTRER DES CARACTERISTIQUES OPTIONNELLES ET NE PEUT PAS ETRE CONSIDERE COMME SPECIFICATION DE LA MACHINE.

CETTE MACHINE A ETE TESTEE, ET ELLE EST CONSIDEREE COMME FIABLE A CONDITION D'UNE BONNE UTILISATION. ASSUREZ-VOUS QUE VOTRE OPERATEUR EST QUALIFIE EN CE QUI CONCERNE L'UTILISATION DE LA MACHINE AINSI QUE SON ENTRETIEN.

WICHTIG

TRAGEN SIE HIER DIE SERIENNUMMERN IHRER MASCHINE EIN UND GEBEN SIE DIESE IMMER AN, WENN SIE SICH AN UNS ODER IHREN HÄNDLER WENDEN. DAS IST BESONDERS BEI ERSATZTEILBESTELLUNGEN WICHTIG. VERGESSEN SIE NICHT, ALLE ZAHLEN UND BUCHSTABEN ZU NOTIEREN.

SERIENNUMMERN DER MASCHINE _____

DIE ANGABEN INDIESEM HANDBUCH SIND BEI VERÖFFENTLICHUNG KORREKT. AUFGRUND DER KONSTANTEN WEITERENTWICKLUNG VON BOMFORD TURNER MASCHINEN SIND JEDOCHÄNDERUGDEN IN DER SPEZIFIKATION UNVERMEIDLICH. WENN DIE INFORMATION IN DIESEM HANDBUCH NICHT MIT IHRER MASCHINE ÜBEREINSTIMMEN, NEHMEN SIE BITTE KONTAKT MIT DER BOMFORD TURNER KUNDENDIENSTABTEILUNG AUF, DIE IHNEN GERNE DIE AKTUELLEN INFORMATION ZUKOMMEN LÄSST.

DAS HANDBUCH KANN SOWOHL BESCHREIBUNGEN FÜR DIE STANDARD AUSFÜHRUNG ALS AUCH FÜR ZUBEHÖR ENTHALTEN UND IST NICHT ALS MASCHINENSPEZIFIKATION ZU VERWENDET.

DIE MASCHINE IST GETESTET UND BEI SACHGEMÄSSEM BETRIEB ALS SICHER BEFUNDEN WORDEN. SORGEN SIE DAFÜR, DASS IHR BEDIENPERSONAL IN ANWENDUNG UND WARTUNG RICHTIG GESCHULT WIRD.

PAGE NO.	TITLE	SCHEDULE NO.
2-1 TO 2-3	TRACTOR MOUNTINGS	72.148.01
	FILTER ASSEMBLY	72.089.01
	MAINFRAME LH	72.254.02
	MAINFRAME RH	72.255.02
3-1 TO 3-2	CONTROL VALVE ASSEMBLY	72.116.01
4-1 TO 4-2	REMOTE CONTROL ASSEMBLY-SINGLE PUMP	71.237.02
	REMOTE CONTROL ASSEMBLY-TWIN PUMP	71.005.03
5-1 TO 5-3	GEARBOX/PTO-SINGLE PUMP	72.910.01
	PUMP ASSEMBLY-SINGLE PUMP	72.913.01
	B397 PUMP CIRCUIT-SINGLE PUMP	72.273.01
	B457 PUMP CIRCUIT-SINGLE PUMP	72.263.01
6-1 TO 6-3	GEARBOX/PTO - TWIN PUMP	72.036.02
	PUMP ASSEMBLY - TWIN PUMP	72.908.01
	B397 PUMP CIRCUIT - TWIN PUMP	72.282.01
	B457 PUMP CIRCUIT - TWIN PUMP	72.260.01
7-1 TO 7-3	B397 FIRST ARM	72.251.01
	B457 FIRST ARM	72.250.01
	SECOND ARM LH	72.252.01
	SECOND ARM RH	72.253.01
	COWL BRACKET LH	72.078.02
	COWL BRACKET RH	72.091.02
8-1 TO 8-4	B397 RAM CIRCUIT-FIRST RAM SINGLE PUMP	72.275.02
	B397 RAM CIRCUIT-FIRST RAM TWIN PUMP	72.283.02
	B397 RAM CIRCUIT-SECOND RAM	72.276.01
	B397 RAM CIRCUIT-COWL RAM	72.277.01
9-1 TO 9-4	B457 RAM CIRCUIT-FIRST RAM SINGLE PUMP	72.259.01
	B457 RAM CIRCUIT-FIRST RAM TWIN PUMP	72.258.01
	B457 RAM CIRCUIT-SECOND RAM	72.257.01
	B457 RAM CIRCUIT-COWL RAM	72.256.01
10-1 TO 10-2	DECALS - BASE RH: B397	72.272.01
	DECALS - BASE LH: B457	72.245.03
	DECALS - BASE RH: B457	71.924.01
	DECALS - BASE RH: LR 13	72.287.01

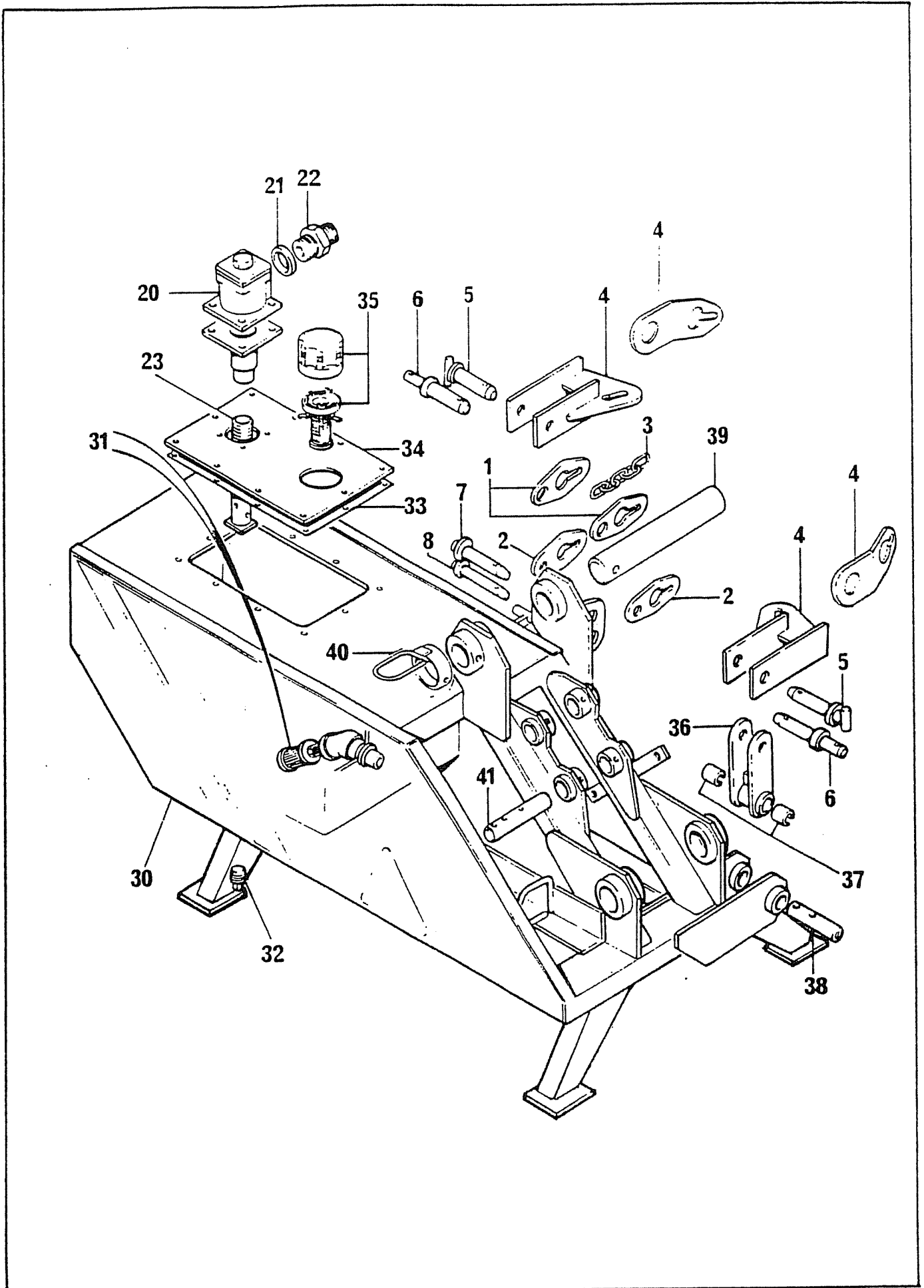
IMPORTANT

IT IS POTENTIALLY HAZARDOUS TO FIT OR USE
ANY PARTS OTHER THAN GENUINE BOMFORD TURNER PARTS.

THE COMPANY DISCLAIMS ALL LIABILITY FOR THE
CONSEQUENCES OF SUCH USE, WHICH IN ADDITION
VOIDS THE MACHINE WARRANTY.

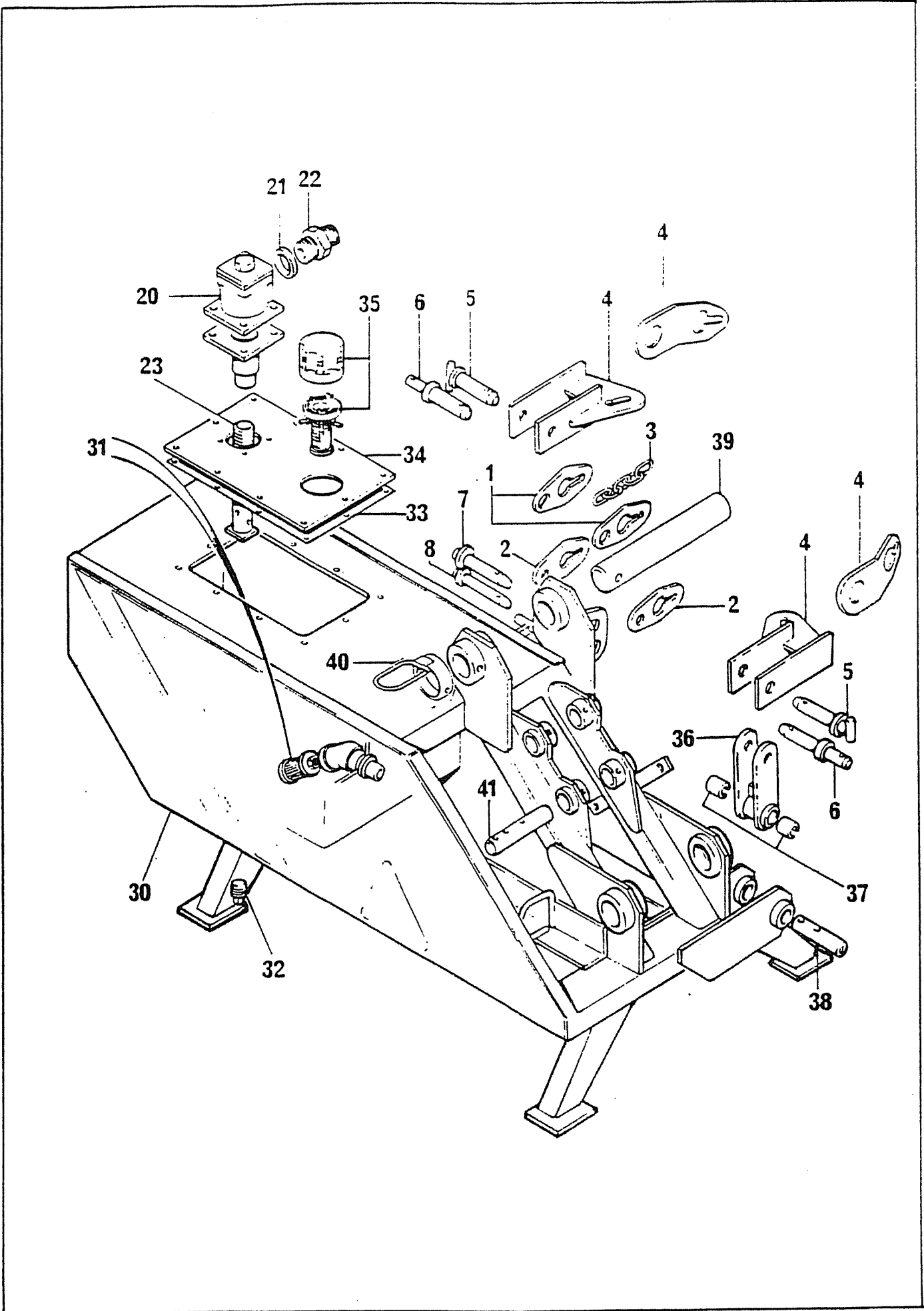
THIS MACHINE IS FOR VEGETATION CONTROL AND
MUST NOT BE USED FOR ANY OTHER PURPOSE

CHECK REAR OF MANUAL FOR UPDATES



REF	PART NO.	DESCRIPTION	QTY	SERIAL NO. FROM - TO
72.148.01		TRACTOR MOUNTINGS		
*01	04.023.01	PLATE - STABILISER CAT 2	2)	UP TO 2878E
*02	04.023.02	PLATE - STABILIZER CAT 1	2)	
*03	03.869.01	CHAIN 8MM DIA X 1800MM	1)	
*04	03.867.01	BRACKET-STABILISER	2)	
*01	09.999.01	PLATE - STABILISER CAT 2	2]	FROM 2878E
*02	10.100.01	PLATE - STABILIZER CAT 1	2]	
*03	10.105.01	CHAIN 8MM DIA X 1800MM	1]	
*04	09.998.01	BRACKET-STABILISER	2]	
	05	00.372.01	LINCH PIN	2
*05	06.318.01	PIN-1.1/8" DIA X 103	2	
	06	00.372.01	LINCH PIN	-
*06	05.159.01	PIN-DUAL CATEGORY	-	
	07	00.372.01	LINCH PIN	1
*07	03.873.01	PIN 1"DIA X 140MM	1	
	08	00.372.01	LINCH PIN	1
*08	03.874.01	PIN 3/4"DIA X 140MM	1	
72.089.01		FILTER ASSEMBLY		
*20	03.824.05	FILTER ASSY(110 LITRE)	1	
	20	03.824.07	FILTER ELEMENT (110 LITRE)	-
	20	05.282.07	SPRING WASHER 6MM PLATED	4
	20	05.839.04	SETSCREW M6 X 30MM PLATED	4
*21	05.290.07	BONDED SEAL 1"BSP	1	
*22	05.434.01	ADAPTOR 1"BSP X 1"BSP	1	
*23	03.825.01	PIPE - FILTER	1	
72.254.02, 72.255.02		MAINFRAME		
30	02.717.02	PLUG PLASTIC 50MM	4	
30	03.231.06	RUBBER MOULDING - 670MM	1	
30	05.227.01	HAMMER DRIVE SCREW NO.6 X 3/8"	2	
30	05.281.01	FLAT WASHER 8MM PLATED	10	
30	05.282.03	SPRING WASHER 12MM PLATED	2	
30	05.286.01	NUT M8 PLATED	10	
30	05.286.03	NUT M12 PLATED	2	
30	05.292.23	BOLT M12 X 100MM PLATED	2	
30	05.774.05	SERIAL NO.PLATE BOMFORD TURNER	1	
30	08.625.03	MAINFRAME LH	1	
*30	08.625.04	MAINFRAME RH (Illustrated)	1	
*31	05.367.02	FILTER - SUCTION	1	
*32	05.495.01	PLUG 1/2"BSPT PLATED	-	
*33	08.605.01	GASKET	1	
*34	08.604.01	PLATE - TANK TOP	1	
*35	06.966.01	BREATHER CAP & STRAINER ASSY	1	
*36	07.516.01	LINK - BREAKOUT	1	UP TO 2878E
*36	09.997.01	LINK - BREAKOUT	1	FROM 2879E
*37	02.771.06	TENSION BUSH 35 X 30 X 30	2	
*38	03.654.47	PIN - DIA 30 X 160	1	
	38	03.786.01	INSTRUCTION PLATE-GREASE M6	1
	38	05.201.07	TENSION PIN 8MM X 45MM PLATED	1
	38	05.953.01	GREASE NIPPLE M6	1

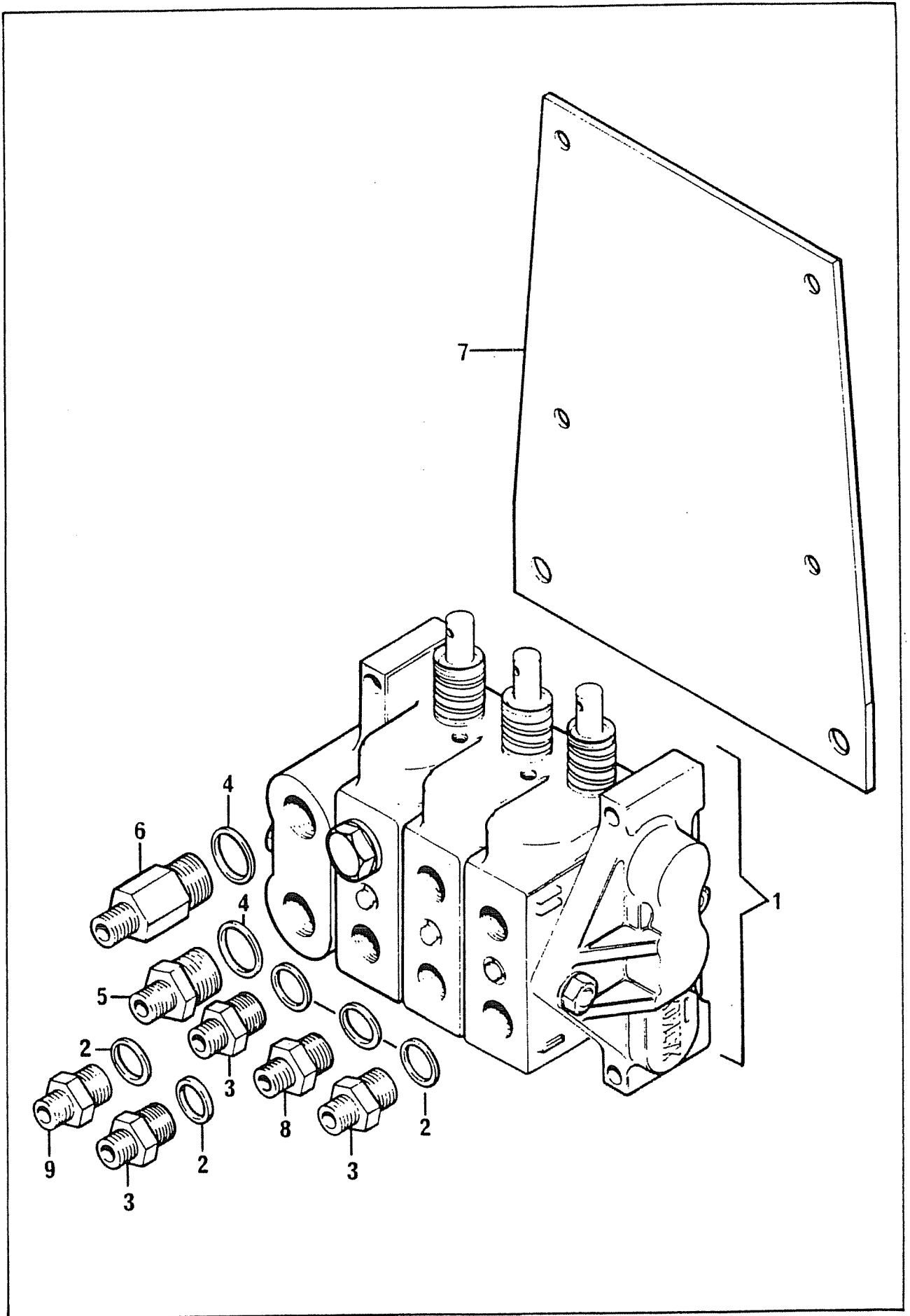
*MAIN PART IN GROUP, RELATED PARTS HAVE SAME REFERENCE NUMBER



REF	PART NO.	DESCRIPTION	QTY	SERIAL NO. FROM - TO
*39	03.657.21	PIN 50 DIA X 340	1	
39	05.282.03	SPRING WASHER 12MM PLATED	1	
39	05.286.03	NUT M12 PLATED	1	
39	05.292.24	BOLT M12 X 110MM PLATED	1	
*40	08.888.01	BRACKET - HOSE GUIDE (Illustrated)	1	
*40	08.999.01 +	BRACKET - HOSE GUIDE	1	
*41	03.654.44	PIN 30 DIA X 160	1	
41	03.786.01	INSTRUCTION PLATE-GREASE M6	1	
41	05.201.07	TENSION PIN 8MM X 45MM PLATED	1	
41	05.953.01	GREASE NIPPLE M6	1	

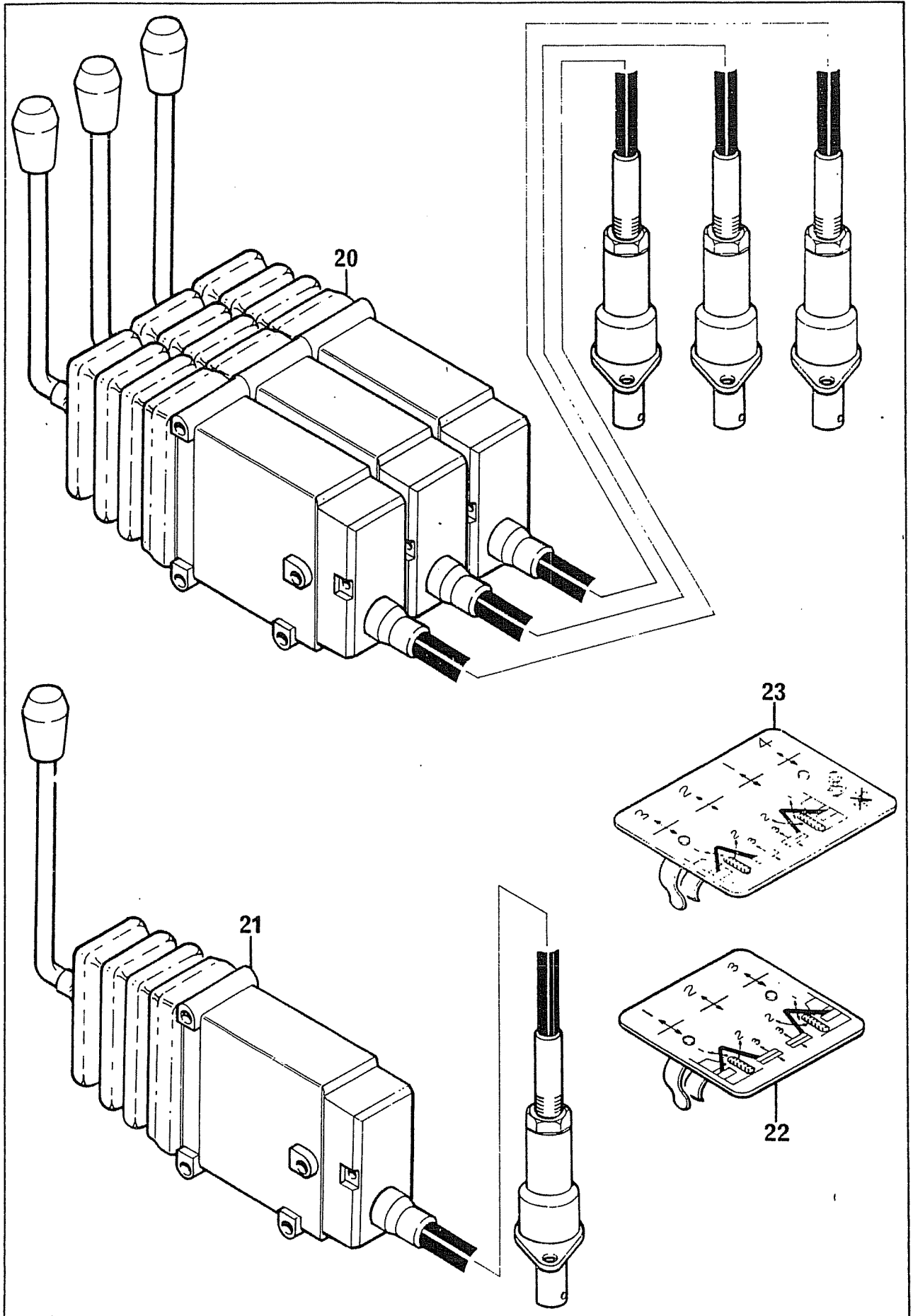
+ RIGHT HAND SINGLE PUMP ONLY

*MAIN PART IN GROUP, RELATED PARTS HAVE SAME REFERENCE NUMBER



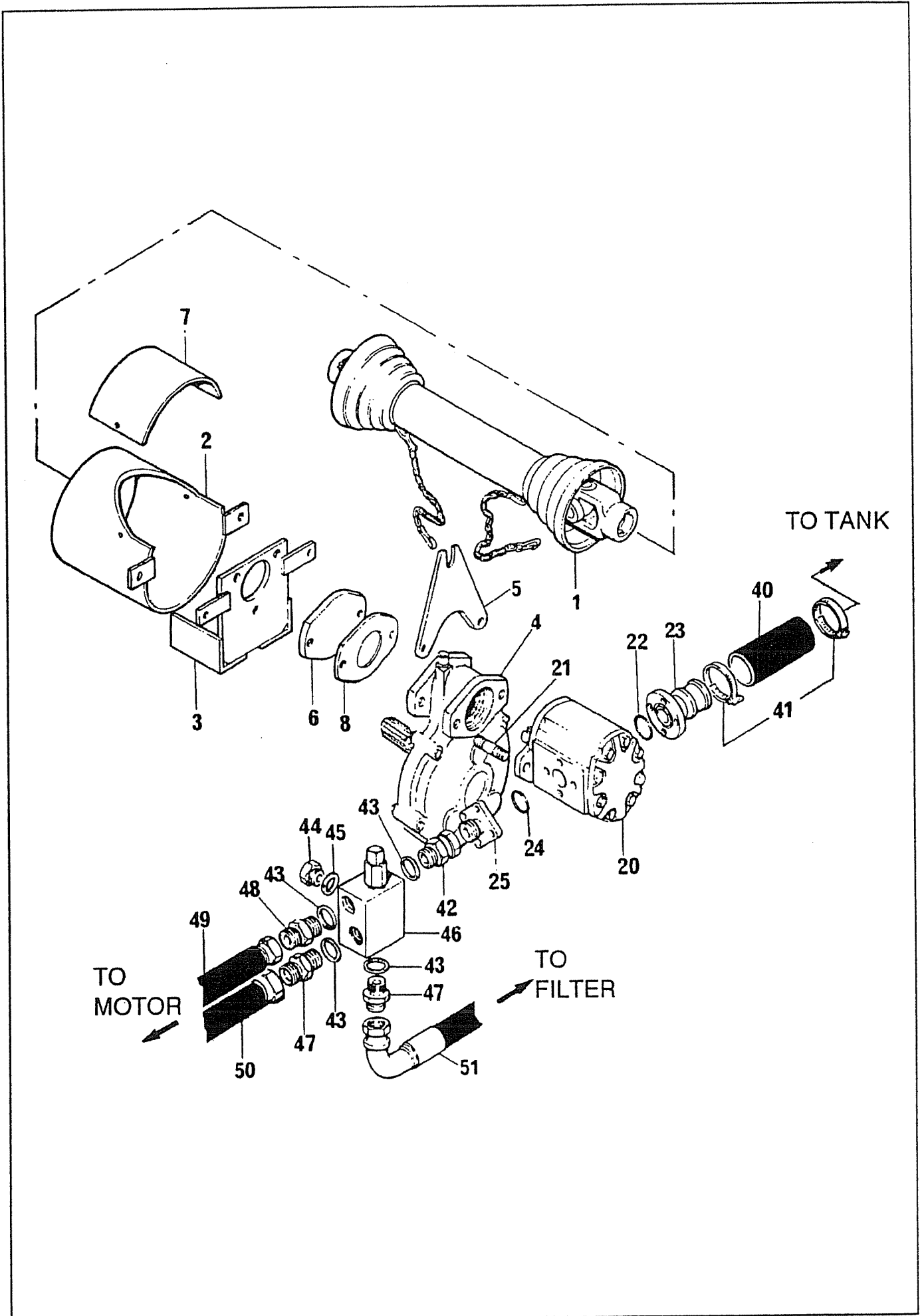
REF	PART NO.	DESCRIPTION	QTY	SERIAL NO. FROM - TO
72.116.01		CONTROL VALVE ASSEMBLY		
01	01.407.14	VALVE SLICE ASSY D/A	-	
01	01.407.15	END COVER C.C.	-	
01	01.407.20	END COVER O.C.	-	
01	01.407.21	INLET COVER ASSY C/W R/V	-	
01	01.407.26	VALVE SLICE ASSY S/A	-	
01	01.407.60	RELIEF VALVE 207 BAR (3000 PSI)	-	
*01	01.407.61	VALVE ASSY-3 SPOOL O.C.	1	
01	03.542.01	SPECIAL ADAPTOR-CABLE	-	
01	05.449.01	SEAL KIT (01407 VALVES)	-	
01	05.625.11	SKT CAPSCRW 1/4UNC X 5/8 PLATD	6	
*02	05.290.05	BONDED SEAL 1/2"BSP	5	
*03	01.099.03	ADAPTOR 1/2BSP X 1/4BSP	3	
*04	05.290.06	BONDED SEAL 3/4"BSP	2	
*05	05.128.01	ADAPTOR 3/4" BSP X 3/8" BSP	1	
*06	05.380.01	ADAPTOR 3/4"BSP X 3/8"BSP(EXTND)	1	
07	05.286.02	NUT M10 PLATED	3	
07	05.291.18	BOLT M10 X 65 PLATED	3	
07	05.282.02	SPRING WASHER 10MM PLATED	1	
*07	08.057.01	PLATE - CONTROL VALVE KONTAK	1	
*08	03.028.20	RESTRICTOR 1/2 X 1/4"BSP 1.27MM	1	
*09	03.028.19	RESTRICTOR 1/2 X 1/4"BSP 1.00MM	1	

*MAIN PART IN GROUP, RELATED PARTS HAVE SAME REFERENCE NUMBER



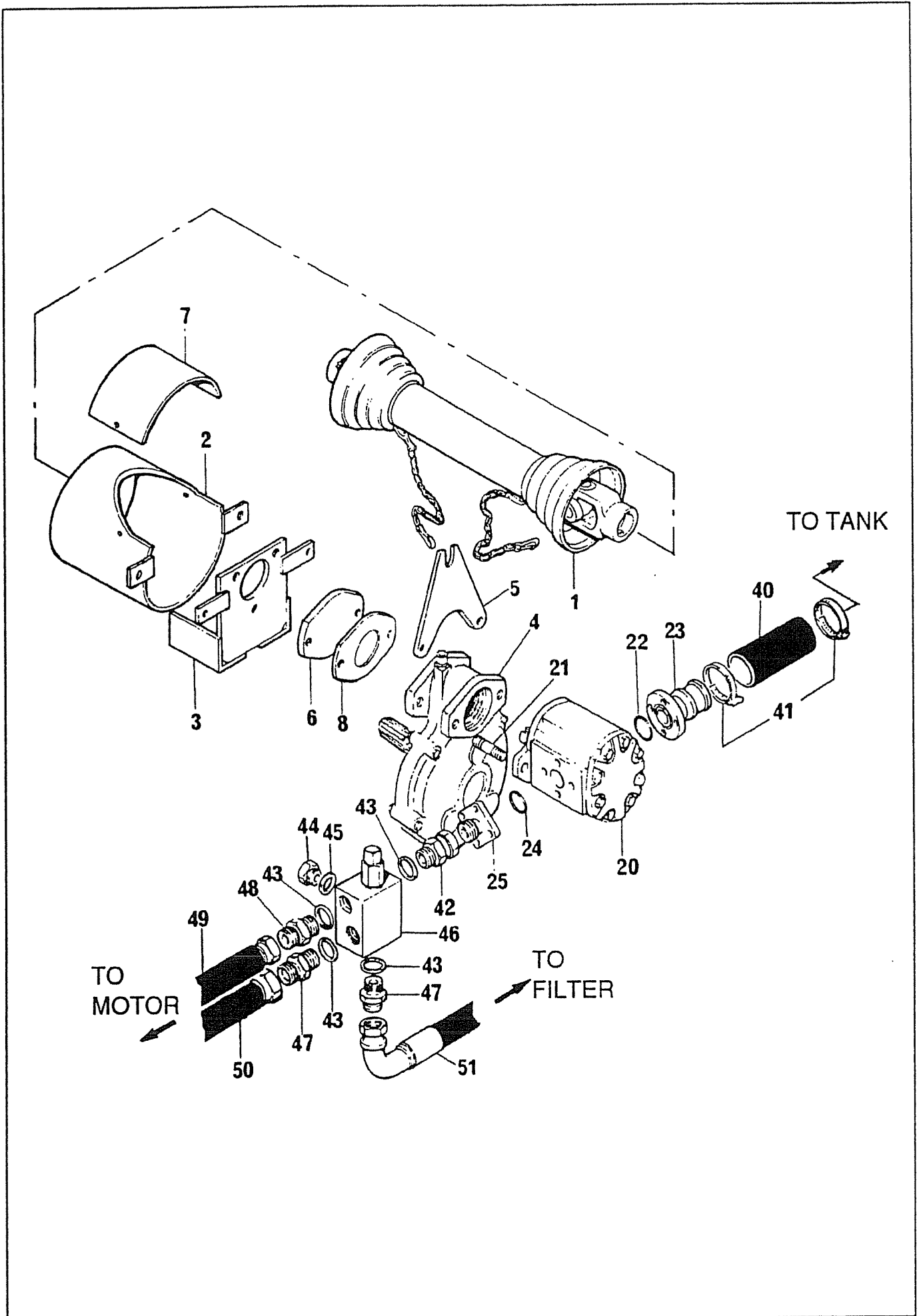
REF	PART NO.	DESCRIPTION	QTY	SERIAL NO. FROM - TO
71.237.02		REMOTE CONTROL ASSY - SINGLE PUMP		
*20	04.265.05	REMOTE CONTROL ASSY-1 BANK 2.0M	3	
20	04.265.07	CABLE ASSY 2.0M	-	
20	04.265.08	LEVER ASSY	-	
20	04.265.11	BUSH	-	
20	04.265.19	SPRING COVER	-	
20	04.265.38	LEVER	-	
20	04.265.25	BOLT M8 X 140 PLATED	3	
20	04.265.28	PIN	-	
20	05.281.01	FLAT WASHER 8MM PLATED	6	
20	05.286.01	NUT M8 - PLATED	1	
20	05.948.07	WING NUT PLATED	2	
*22	03.541.06	INSTRUCTION PLATE	1	
71.005.03		REMOTE CONTROL ASSY - TWIN PUMP		
*20	04.265.05	REMOTE CONTROL ASSY-1 BANK 2.0M	3	
20	04.265.07	CABLE ASSY 2.0M	-	
20	04.265.08	LEVER ASSY	-	
20	04.265.11	BUSH	-	
20	04.265.19	SPRING COVER	-	
20	04.265.24	USE 04.265.38 LEVER	-	
20	04.265.28	PIN	-	
20	05.281.01	FLAT WASHER 8MM PLATED	6	
20	05.948.07	WING NUT M8 - PLATED	2	
21	04.265.08	LEVER ASSY	-	
21	04.265.11	BUSH	-	
21	04.265.19	SPRING COVER	-	
21	04.265.28	PIN	-	
21	04.265.33	CABLE ASSY 2.5M	-	
*21	04.265.35	REMOTE CONTROL ASSY-1 BANK 2.5M	1	
21	04.265.53	LEVER - SHORT	-	
21	04.282.01	STUD M8 X 196MM PLATED	3	
21	05.286.01	NUT M8 PLATED	3	
23	03.541.17	INSTRUCTION PLATE-RAM OPP.	1	

*MAIN PART IN GROUP, RELATED PARTS HAVE SAME REFERENCE NUMBER



REF	PART NO.	DESCRIPTION	QTY	SERIAL NO. FROM - TO
72.910.01		PTO AND GEARBOX		
01	04.043.02	JOURNAL BEARING KIT	-	
01	04.043.03	PTO SHAFT GUARD ASSY	-	
*01	04.043.20	PTO SHAFT ASSY 610MM C/C	1	
02	05.264.02	SETSCREW M8 X 25MM PLATED	2	
02	05.282.01	SPRING WASHER 8MM PLATED	2	
02	05.286.01	NUT M8 PLATED	2	
*02	06.170.01	GUARD - PTO	1	
03	05.264.23	SETSCREW M12 X 30MM PLATED	3	
03	05.264.24	SETSCREW M12 X 35MM PLATED	2	
03	05.282.03	SPRING WASHER 12MM PLATED	5	
03	05.286.03	NUT M12 PLATED	2	
*03	07.931.01	BRACKET - GEARBOX	1)	
04	03.840.02	SEAL KIT (03840 GEARBOXES)	-)	UP TO 1093E
*04	03.840.37	GEARBOX ASSY - TW.PUMP	1)	
*03	09.889.01	BRACKET - GEARBOX	1]	
04	09.828.15	SEAL KIT (09.828.01 GEARBOXES)	-]	FROM 1094E
*04	09.828.01	GEARBOX ASSY - TW.PUMP	1]	
05	05.264.24	SETSCREW M12 X 35MM PLATED	1	
05	05.281.03	FLAT WASHER 12MM PLATED	1	
05	05.282.02	SPRING WASHER 10MM PLATED	2	
05	05.286.02	NUT M10 PLATED	2	
05	05.286.03	NUT M12 PLATED	1	
05	05.291.13	BOLT M10 X 40MM PLATED	2	
*05	06.157.03	STAY - GEARBOX	1)	UP TO 1093E
*06	04.182.01	PLATE - BLANKING	1	
*07	04.063.01	PLATE-COVER	1	
07	05.969.01	SELF-TAPPING SCREW NO.6 X 1/2"	2	
08	07.167.01	GASKET	1	
72.913.01		PUMP ASSEMBLY		
20	01.071.13	KEY-SEP 1/4"X 1/4"X 1"	-	UP TO 1093E
20	05.642.02	SEAL KIT (05 650 PUMPS)	-	
*20	05.650.02	PUMP ASSY (207 BAR)	1	UP TO 1093E
*20	05.650.03	PUMP ASSY (207 BAR)	1	FROM 1094E
*21	03.100.01	STUD M10 X 34MM	2	
21	05.282.02	SPRING WASHER 10MM PLATED	2	
21	05.286.02	NUT M10 PLATED	2	
*22	05.656.01	"O"RING 28 I/D X 2.5	1	
*23	03.050.02	ADAPTOR-FLANGED 1.1/2" O/D PLATED	1	
23	05.657.01	SCKT CAPSCRW 5/16"UNC X 7/8" PLT	4	
*24	05.656.03	"O"RING 25 I/D X 3.53	1	
*25	03.864.01	ADAPTOR-FLANGED 3/4" BSP PLATED	1	
25	05.657.01	SCKT CAPSCRW 5/16"UNC X 7/8" PLT	4	

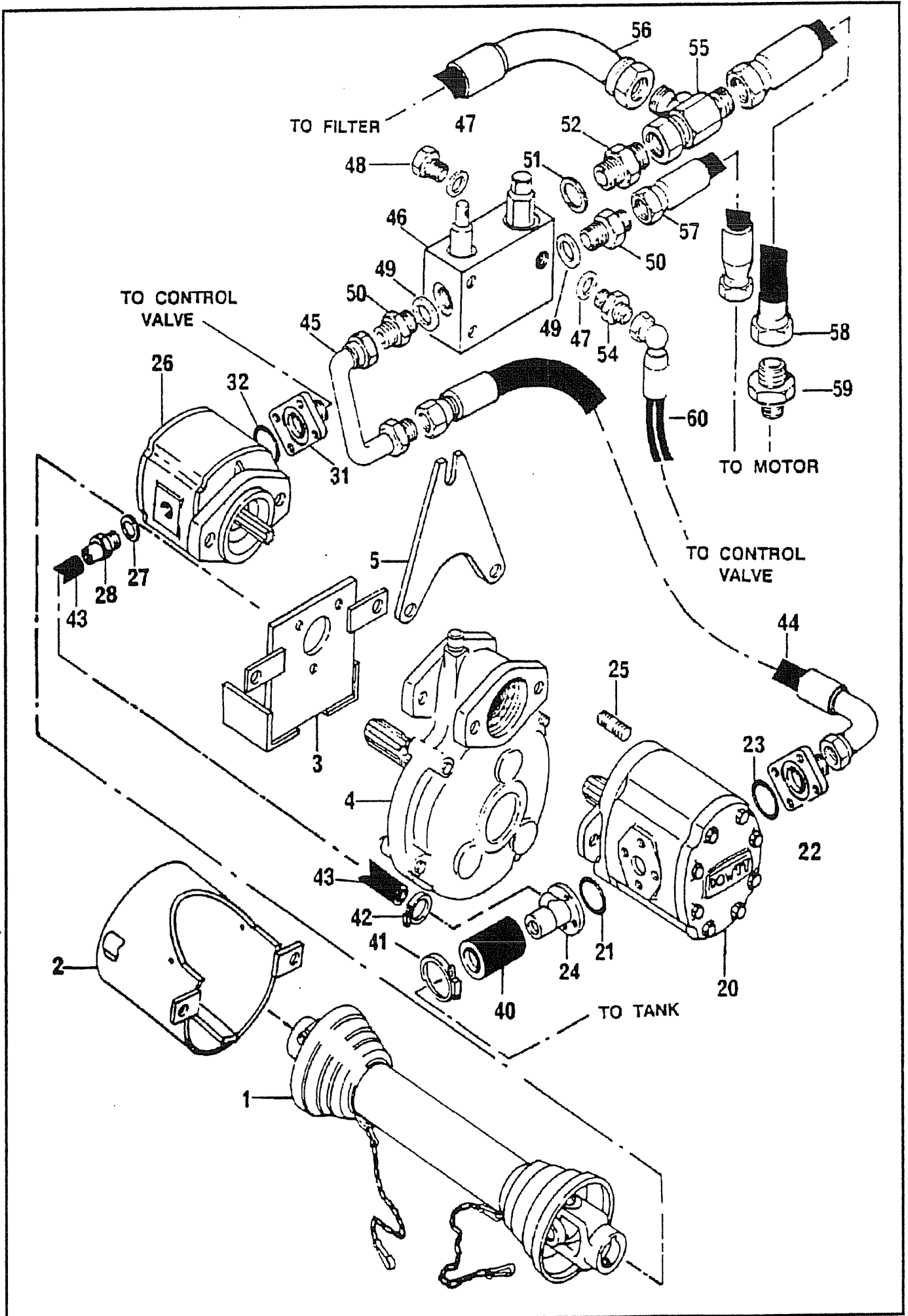
*MAIN PART IN GROUP, RELATED PARTS HAVE SAME REFERENCE NUMBER



REF	PART NO.	DESCRIPTION	QTY	SERIAL NO. FROM - TO
72.263.01, 72.273.01		PUMP CIRCUIT - SINGLE PUMP		
*40	06.288.01	HOSE 1.1/2" BORE X 120MM	1	
*41	05.863.02	JUBILEE CLIP 2"DIA	2	
*42	03.858.01	ADAPTOR-SWIVEL ST 3/4"BSP M/F	1	
*43	05.290.06	BONDED SEAL 3/4"BSP	4	
*44	05.433.01	PLUG 3/8"BSP PLATED	1	
*45	05.117.01	COPPER WASHER 3/8" BSP	1	
46	03.419.06	RELIEF VALVE CARTRIDGE 152 BAR	-	
46	03.862.02	SEAL KIT (03862 VALVES)	-	
*46	03.862.06	RELIEF VALVE ASSY	1	
*47	05.373.01	ADAPTOR 3/4"BSP X 1"BSP	2	
*48	05.377.01	ADAPTOR 3/4"BSP X 3/4"BSP	1	
*49+	05.995.87	HOSE 3/4" BSP X 4600MM ST X ST	1	
*49/	05.995.88	HOSE 3/4" BSP X 5200MM ST X ST	1	
*50+	05.997.86	HOSE 1" BSP X 4600MM ST X ST	1	
50/	05.997.86	HOSE 1" BSP X 5200MM ST X ST	1	
*51	05.996.32	HOSE 1"BSP X 1600MM 90 X ST	1	

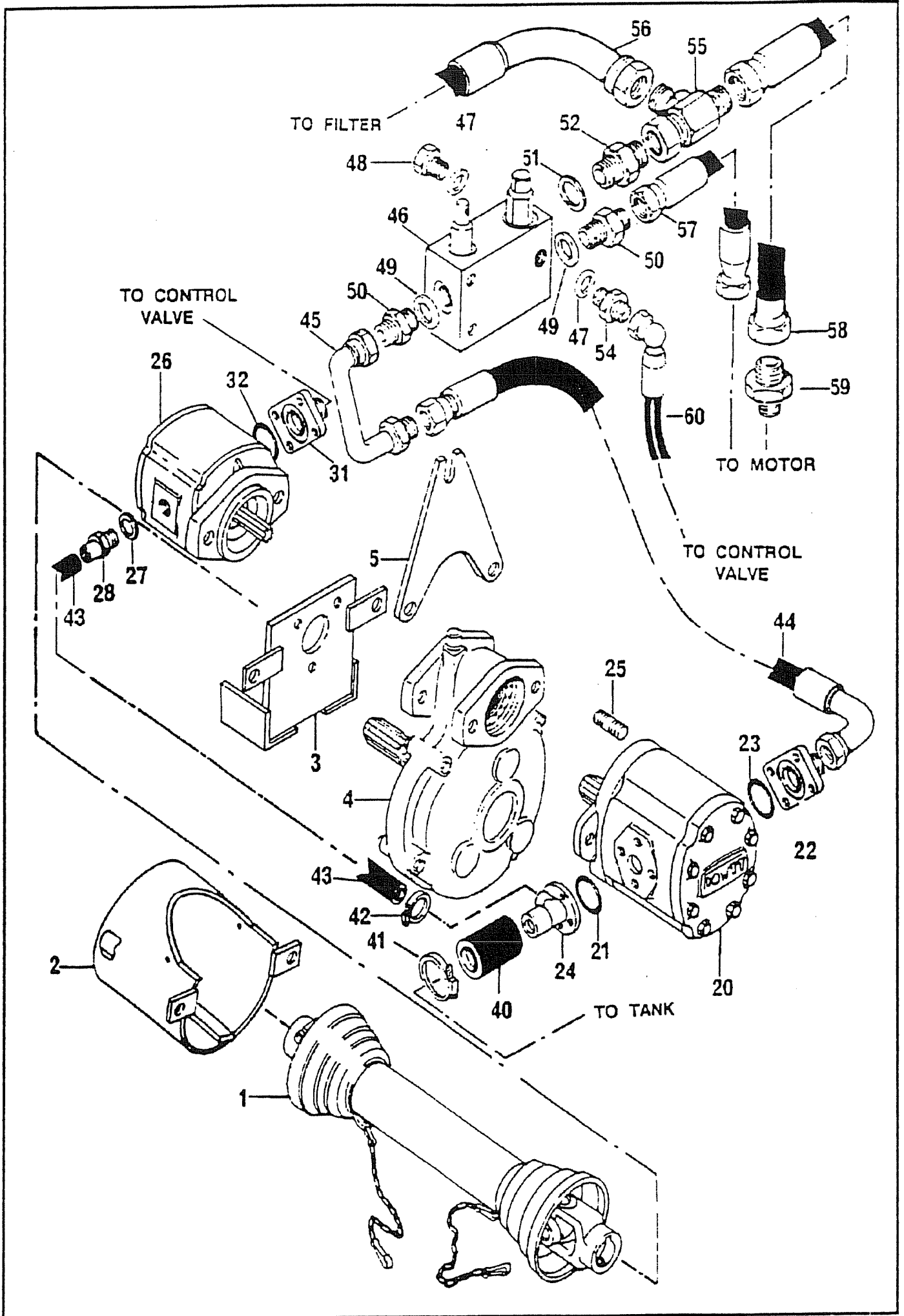
+ B397 MACHINES ONLY
/ B457 MACHINES ONLY

*MAIN PART IN GROUP, RELATED PARTS HAVE SAME REFERENCE NUMBER



REF	PART NO.	DESCRIPTION	QTY	SERIAL NO. FROM - TO
72.036.02		PTO AND GEARBOX		
01	04.043.02	JOURNAL BEARING KIT	-	
01	04.043.03	PTO SHAFT GUARD ASSY	-	
*01	04.043.20	PTO SHAFT ASSY 610MM C/C	1	
02	05.264.02	SETSCREW M8 X 25MM PLATED	2	
02	05.282.01	SPRING WASHER 8MM PLATED	2	
02	05.286.01	NUT M8 PLATED	2	
*02	06.170.01	GUARD - PTO	1	
03	05.264.23	SETSCREW M12 X 30MM PLATED	3	
03	05.264.24	SETSCREW M12 X 35MM PLATED	2	
03	05.282.03	SPRING WASHER 12MM PLATED	5	
03	05.286.03	NUT M12 PLATED	2	
*03	07.931.01	BRACKET - GEARBOX	1)	
04	03.840.02	SEAL KIT (03840 GEARBOXES)	-)	UP TO 1093E
*04	03.840.37	GEARBOX ASSY - TW PUMP	1)	
*03	09.889.01	BRACKET - GEARBOX	1]	
04	09.828.15	SEAL KIT (09828 GEARBOXES)	-]	FROM 1094E
*04	09.828.01	GEARBOX ASSY - TW PUMP	1]	
05	05.264.24	SETSCREW M12 X 35MM PLATED	1	
05	05.281.03	FLAT WASHER 12MM PLATED	1	
05	05.282.02	SPRING WASHER 10MM PLATED	2	
05	05.286.02	NUT M10 PLATED	2	
05	05.291.15	BOLT M10 X 50MM PLATED	2	
*05	06.157.03	STAY - GEARBOX	1	UP TO 1093E
05	05.287.03	SELF-LOCKING NUT M12 PLATED	1	
72.908.01		PUMPS		
20	01.071.13	KEY-SEP 1/4" X 1/4" X 1"	-	UP TO 1093E
20	05.642.02	SEAL KIT (05 650 PUMPS)	-	
*20	05.650.02	PUMP ASSY (207 BAR)	1	UP TO 1093E
*20	05.650.03	PUMP ASSY (207 BAR)	1	FROM 1094E
*21	05.656.01	"O"RING 28 I/D X 2.5	1	
*22	03.864.01	ADAPTOR-FLANGED 3/4"BSP PLATED	1	
22	05.657.01	SCKT CAPSCRW 5/16"UNC X 7/8" PLT	4	
*23	05.656.03	"O"RING 25 I/D X 3.53	1	
24	05.657.01	SCKT CAPSCRW 5/16"UNCX7/8" PLT	4	
*24	06.251.01	ADAPTOR-INLET PLATED	1	
*25	03.100.01	STUD M10 X 34MM	2	
25	05.282.02	SPRING WASHER 10MM PLATED	2	
25	05.286.02	NUT M10 PLATED	2	
26	04.002.02	SEAL KIT (FOR 04002 PUMPS)	-)	UP TO 1093E
*26	04.002.17	PUMP ASSEMBLY	1)	
26	09.537.03	SEAL KIT (FOR 09537 PUMPS)	-]	FROM 1094E
*26	09.537.01	PUMP ASSEMBLY	1]	
*27	05.290.05	BONDED SEAL 1/2"BSP	1	
*28	04.244.01	ADAPTOR 1/2"BSP X 3/4"O/D	1	
*29	05.290.05	BONDED SEAL 1/2"BSP	1)	UP TO 1093E
*30	05.123.01	ADAPTOR 1/2" BSP X 3/8" BSP	1)	
*31	09.745.01	ADAPTOR-FLANGED 3/4"BSP	1]	
31	05.657.01	SCKT CAPSCRW 5/16"UNC X 7/8" PLT	4]	FROM 1094E
*32	30.210.92	"O"RING	1]	

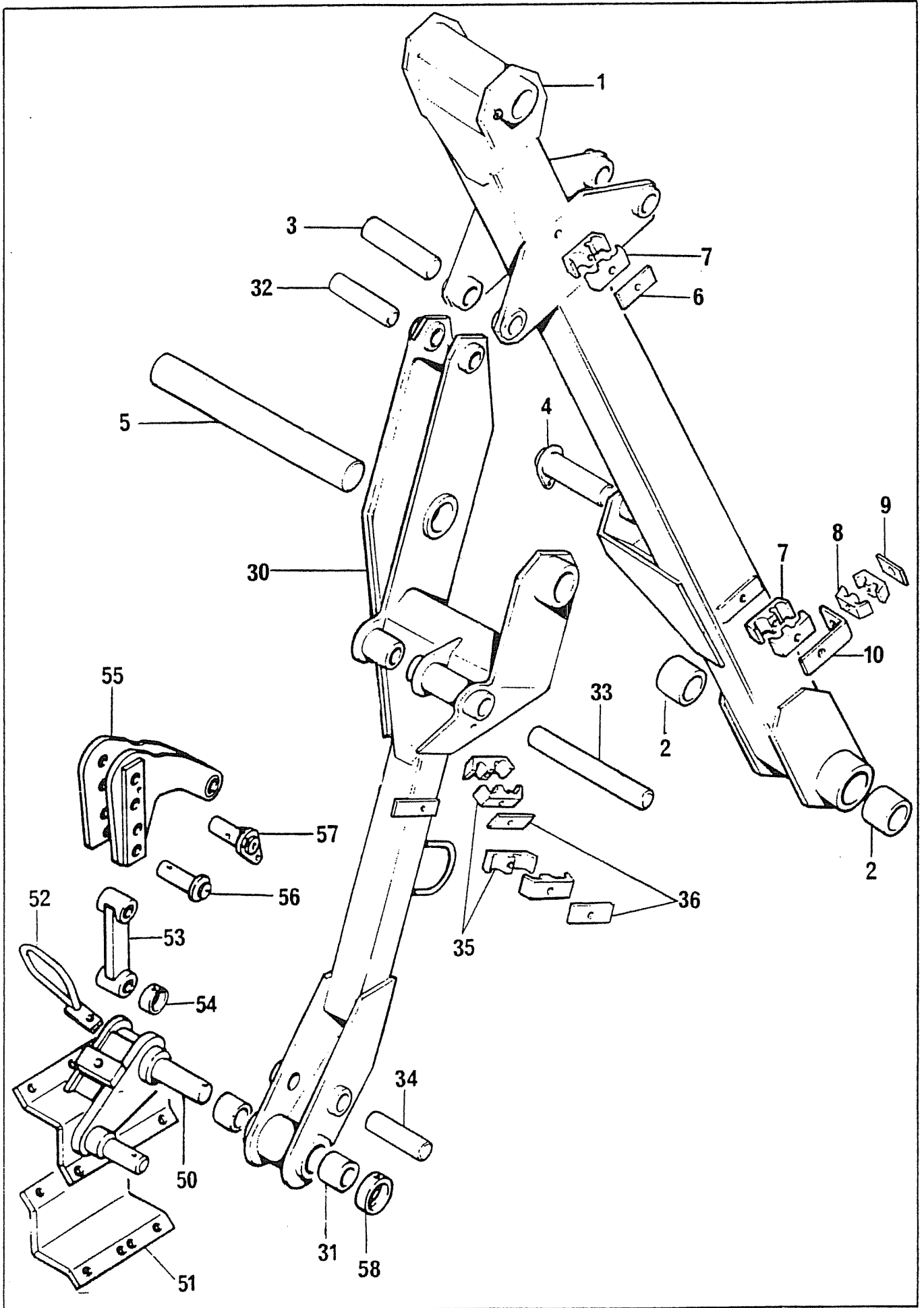
*MAIN PART IN GROUP, RELATED PARTS HAVE SAME REFERENCE NUMBER



REF	PART NO.	DESCRIPTION	QTY	SERIAL NO. FROM - TO
72.260.01, 72.282.01		PUMP CIRCUIT - TWIN PUMP		
*40	06.288.01	HOSE 1.1/2" BORE X 120MM	1	
*41	05.863.02	JUBILEE CLIP 2"DIA	2	
*42	05.863.03	JUBILEE CLIP 25MM DIA	2	
*43	05.983.09	HOSE 3/4" BORE X 650MM PLAIN	1	
*44	05.994.24	HOSE 3/4"BSP X 1200MM 90 X ST	1	
*45	06.459.03	PIPE STEEL 3/4"BSP M/F	1	
46	05.281.01	FLAT WASHER 8MM PLATED	2	
46	05.282.01	SPRING WASHER 8MM PLATED	2	
46	05.291.07	BOLT M8 X 60MM PLATED	2	
46	05.657.01	SCKT CAPSCRW 5/16"UNC X 7/8" PLT	2	
46	06.284.02	SEAL KIT FOR (06.284.01) VALVE	-	
*46	06.284.11	RELIEF VALVE/DIVERTER ASSY	1	
46	06.299.05	RELIEF VALVE CARTRIDGE 152 BAR	-	
*47	05.117.01	COPPER WASHER 3/8" BSP	1	
*48	05.433.01	PLUG 3/8"BSP PLATED	1	
*49	05.290.06	BONDED SEAL 3/4"BSP	2	
*50	05.377.01	ADAPTOR 3/4"BSP X 3/4"BSP	2	
*51	05.290.07	BONDED SEAL 1"BSP	1	
*52	05.434.01	ADAPTOR 1"BSP X 1"BSP	1	
*53	05.290.04	BONDED SEAL 3/8"BSP	1	
*54	05.124.01	ADAPTOR 3/8" BSP X 3/8" BSP	1	
*55	04.056.02	ADAPTOR-SWIVEL TEE 1"BSP F/M/M	1	
*56	05.996.01	HOSE 1"BSP X 500MM 90 X ST	1	
*57+	05.995.86	HOSE 3/4" BSP X 5700MM ST X ST	1	
57/	05.995.89	HOSE 3/4" BSP X 6300MM ST X ST	1	
58+	05.997.85	HOSE 1" BSP X 5700MM ST X ST	1	
58/	05.997.88	HOSE 1" BSP X 6300MM ST X ST	1	
*59	05.373.01	ADAPTOR 3/4"BSP X 1"BSP	1	
*60	05.991.14	HOSE 3/8"BSP X 700MM 90 X ST	1	

+ B397 MACHINES ONLY
/ B457 MACHINES ONLY

*MAIN PART IN GROUP, RELATED PARTS HAVE SAME REFERENCE NUMBER

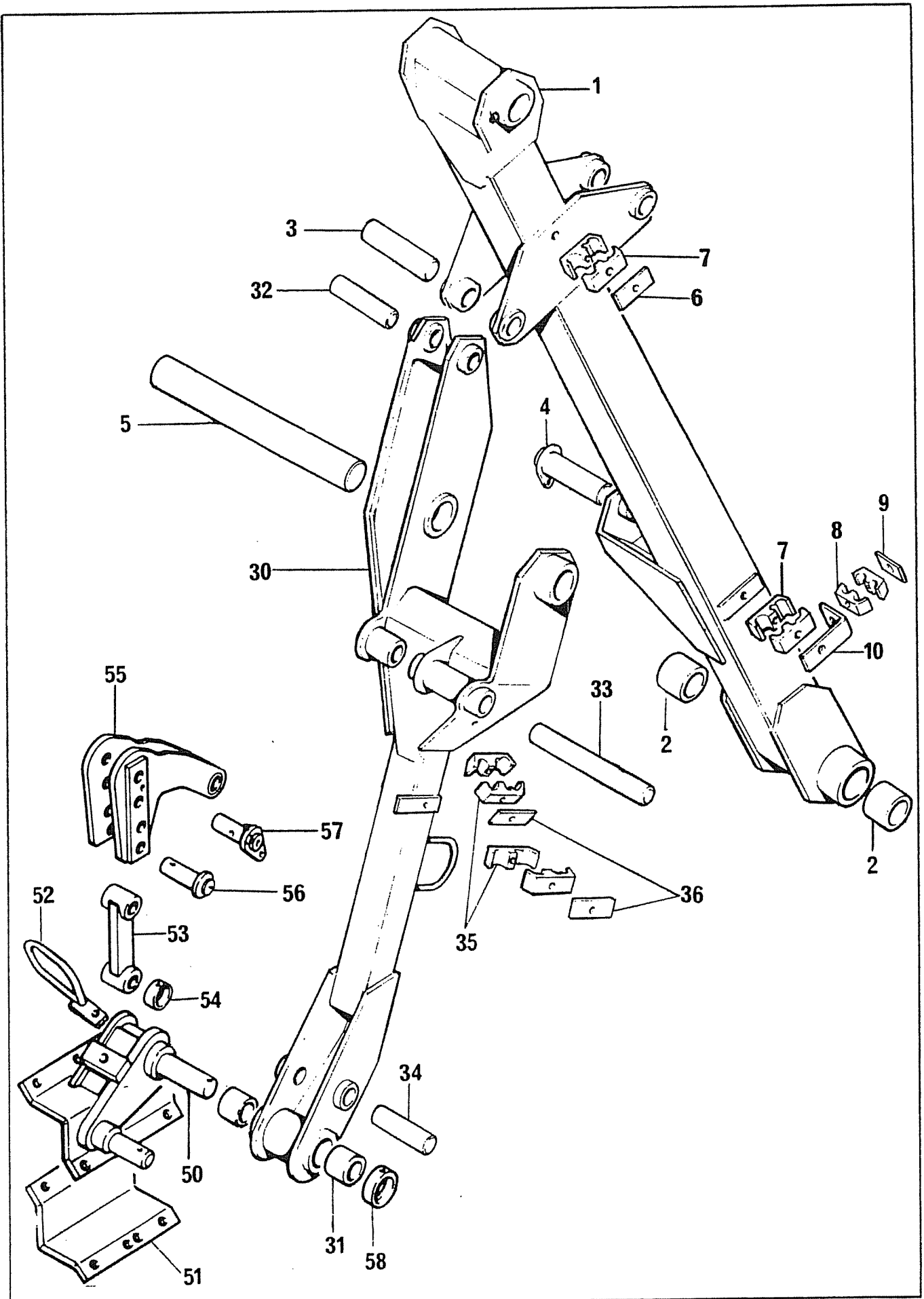


REF	PART NO.	DESCRIPTION	QTY	SERIAL NO. FROM - TO
72.250.01, 72.251.01		FIRST ARM		
01	03.786.02	INSTRUCTION PLATE-GREASE M10	1	
01	05.953.04	GREASE NIPPLE M10 90 DEG	1	
*01	08.889.01/	ARM - FIRST	1	
*01	08.895.02+	ARM - FIRST	1	
*02	08.297.01	BUSH - PLASTIC 60 X 50 X 50	2	
*03	03.654.43/	PIN 30 DIA X 140	1	
*03	03.654.43+	PIN 30 DIA X 181MM	1	
03	03.786.01	INSTRUCTION PLATE-GREASE M6	1	
03	05.201.07	TENSION PIN 8MM X 45MM PLATED	1	
03	05.953.01	GREASE NIPPLE M6	1	
*04	03.653.31	PIN 25 DIA X 120	1	
04	03.786.01	INSTRUCTION PLATE-GREASE M6	1	
04	05.201.07	TENSION PIN 8MM X 45MM PLATED	1	
04	05.953.01	GREASE NIPPLE M6	1	
05	03.068.01	SPECIAL SETSCREW M12 X 25	2	
*05	03.656.39	PIN - 40 DIA X 372	1	
05	03.786.01	INSTRUCTION PLATE-GREASE M6	2	
05	05.282.02	SPRING WASHER 10MM PLATED	1	
05	05.282.03	SPRING WASHER 12MM PLATED	2	
05	05.286.02	NUT M10 PLATED	1	
05	05.292.11	BOLT M10 X 80MM PLATED	1	
05	05.953.01	GREASE NIPPLE M6	2	
05	07.942.01	WASHER - M12 SPECIAL	2	
06	04.282.30	STUD M8 X 85 PLATED	2	
06	05.281.01	FLAT WASHER 8MM PLATED	2	
06	05.282.01	SPRING WASHER 8MM PLATED	2	
06	05.286.01	NUT M8 PLATED	2	
*06	06.430.10	CLAMP HOSE	4	
*07	06.418.01	CLAMP PLATE 95 X 6	2	
08	04.282.32	STUD M8 X 52	1	
08	05.281.01	FLAT WASHER 8MM PLATED	1	
08	05.282.01	SPRING WASHER 8MM PLATED	1	
08	05.286.01	NUT M8 PLATED	1	
*08	06.430.02	CLAMP HOSE 14 X 14	1	
*09	06.418.02	CLAMP PLATE 30 X 6 PLATED	1	
*10	08.887.01	CLAMP HOSE	1	

+ B397 MACHINES ONLY
/ B457 MACHINES ONLY

72.252.01, 72.253.01		SECOND ARM		
*30	08.890.01	ARM - SECOND LH	1	
*30	08.890.02	ARM - SECOND RH	1	
30	03.786.02	INSTRUCTION PLATE-GREASE M10	1	
30	05.953.03	GREASE NIPPLE M10	1	
*31	08.297.02	BUSH - PLASTIC 47 X 40 X 40	4	

*MAIN PART IN GROUP, RELATED PARTS HAVE SAME REFERENCE NUMBER

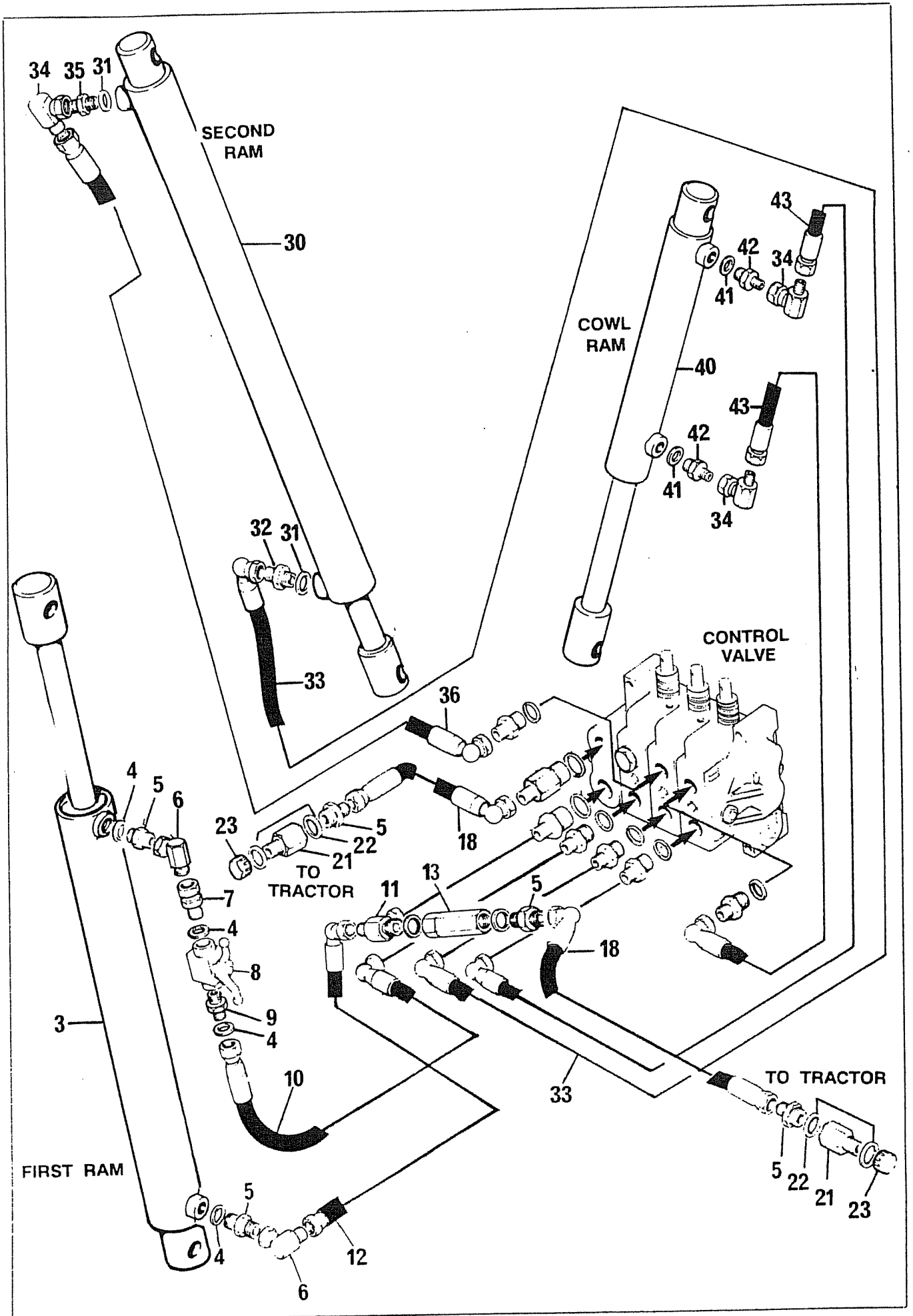


REF	PART NO.	DESCRIPTION	QTY	SERIAL NO. FROM - TO
*32	03.653.54	PIN 25 DIA X 129	1	
32	03.786.01	INSTRUCTION PLATE-GREASE M6	1	
32	05.201.07	TENSION PIN 8MM X 45MM PLATED	1	
32	05.953.01	GREASE NIPPLE M6	1	
*33	03.653.53	PIN 25 DIA X 258	1	
33	03.786.01	INSTRUCTION PLATE-GREASE M6	1	
33	05.201.07	TENSION PIN 8MM X 45MM PLATED	1	
33	05.953.01	GREASE NIPPLE M6	1	
*34	03.653.02	PIN 25 DIA X 117	1	
34	03.786.01	INSTRUCTION PLATE-GREASE M6	1	
34	05.201.11	TENSION PIN 5MM X 45MM PLATED	1	
34	05.953.01	GREASE NIPPLE M6	1	
35	04.282.30	STUD M8 X 85 PLATED	2	
35	05.281.01	FLAT WASHER 8MM PLATED	2	
35	05.282.01	SPRING WASHER 8MM PLATED	2	
35	05.286.01	NUT M8 PLATED	2	
*35	06.430.10	CLAMP HOSE	4	
*36	06.418.01	CLAMP PLATE 95 X 6	2	

72.078.02, 72.091.02 COWL BRACKET

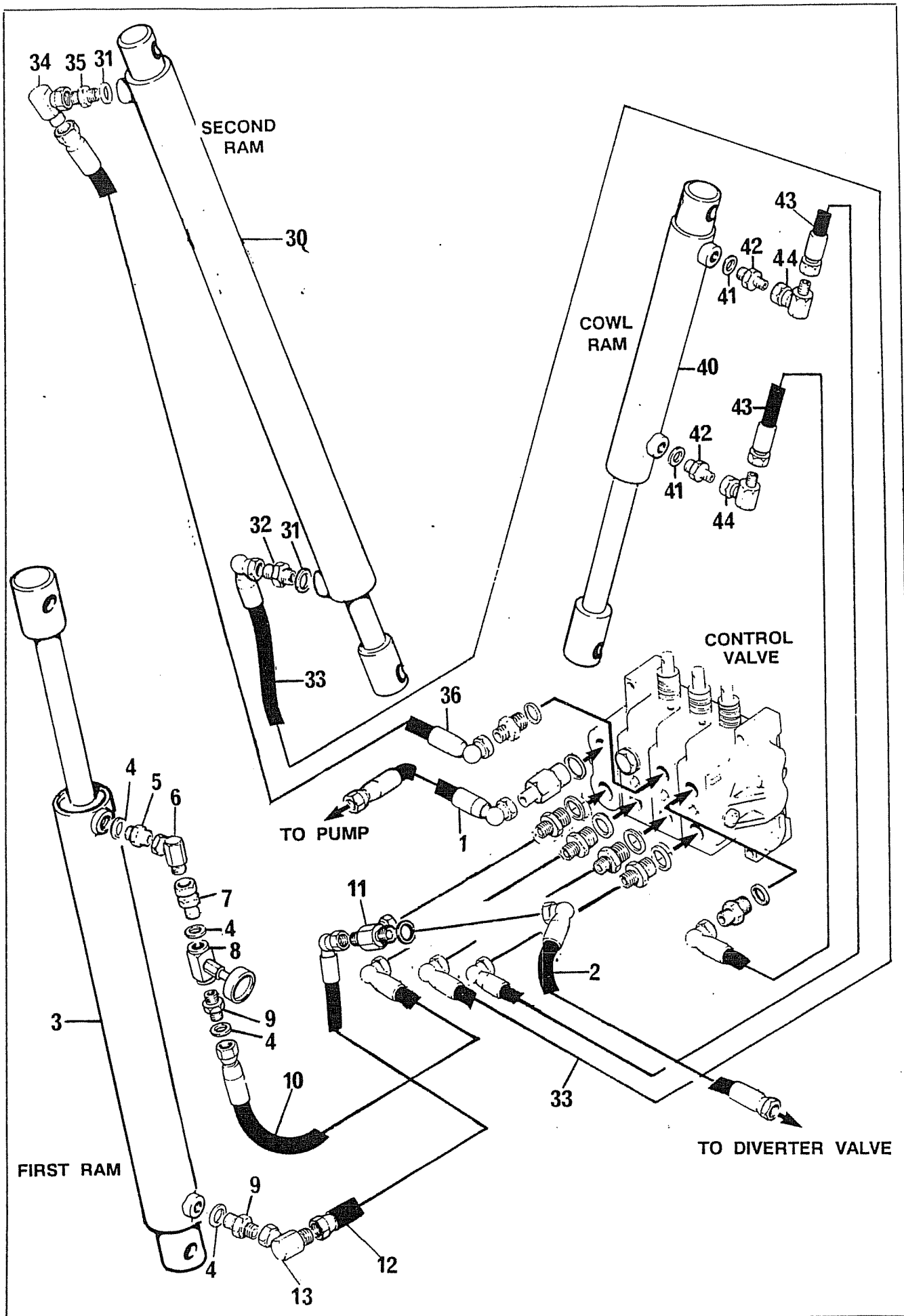
*50	08.707.02	BRACKET - COWL RH	1	
50	08.707.01	BRACKET - COWL LH	1	
51	05.264.25	SETSCREW M12 X 40MM PLATED	6	
51	05.282.03	SPRING WASHER 12MM PLATED	6	
51	05.286.03	NUT M12 PLATED	6	
*51	07.947.01	CLAMP - COWL BRACKET	1	
*52	08.085.01	BRACKET - HOSE GUIDE	1	
53	03.786.01	INSTRUCTION PLATE-GREASE M6	2	
*53	03.846.01	LINK COWL	1	
53	05.953.01	GREASE NIPPLE M6	2	
*54	03.932.01	SPACER 45 O/D X 35 I/D X 16MM PLTD	1	
54	05.201.11	TENSION PIN 5MM X 45MM PLATED	1	
*55	03.931.01	LINK - RAM	1	
56	00.372.01	LINCH PIN	1	
*56	03.653.03	PIN 25 DIA X 106	1	
*57	03.653.04	PIN 25 DIA X 83	1	
57	03.786.01	INSTRUCTION PLATE-GREASE M6	1	
57	04.175.01	STUD M10 X 29MM	1	
57	05.281.02	FLAT WASHER 10MM PLATED FORM C	1	
57	05.953.01	GREASE NIPPLE M6	1	
57	05.968.02	SELF LOCKING NUT M10 (FINE)	1	
*58	03.837.01	SPACER 50 X 40 X 20 PLATED	1	
58	05.201.10	TENSION PIN 10MM X 60MM PLATED	1	

*MAIN PART IN GROUP, RELATED PARTS HAVE SAME REFERENCE NUMBER



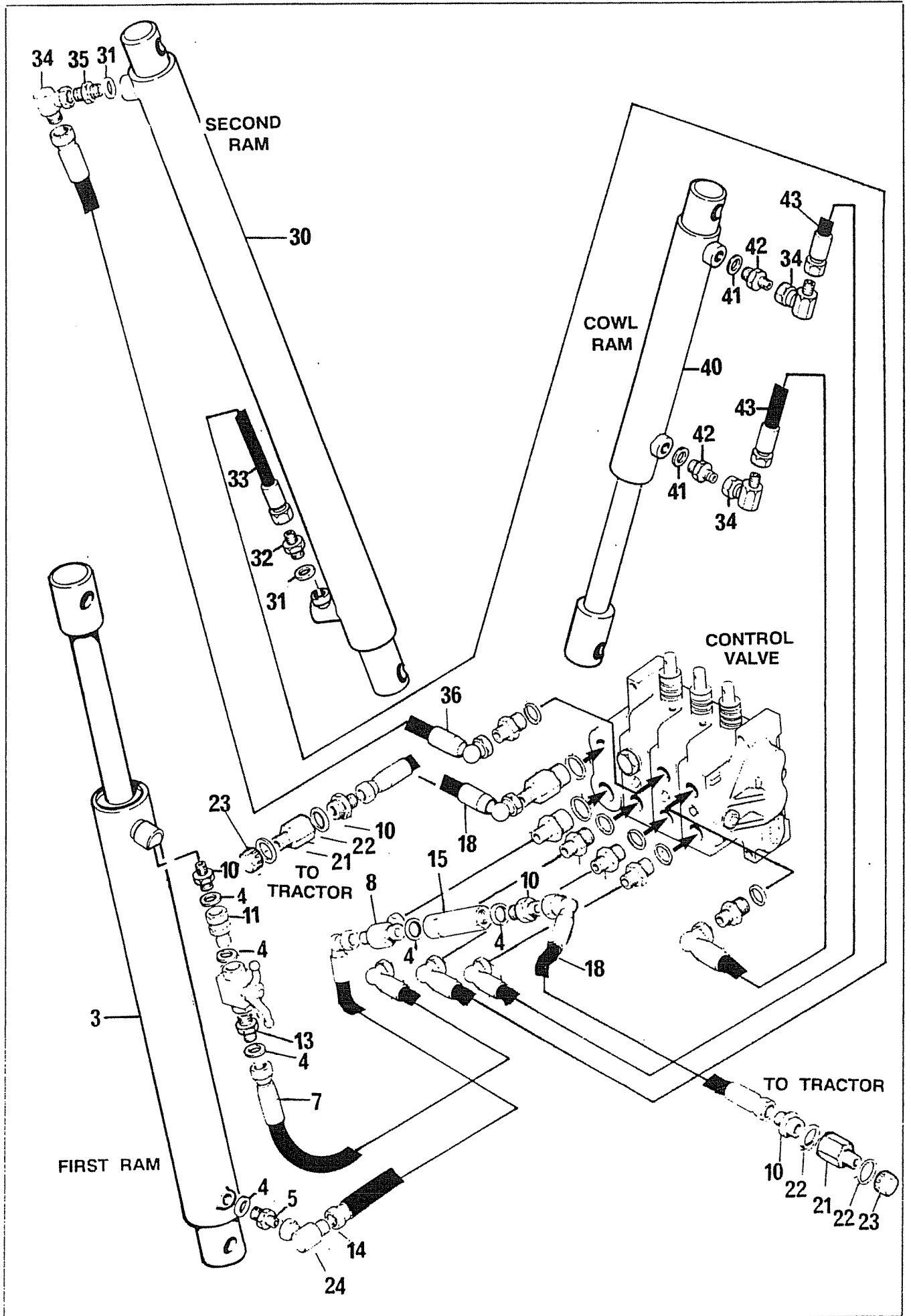
REF	PART NO.	DESCRIPTION	QTY	SERIAL NO. FROM - TO
72.275.02		RAM CIRCUIT - FIRST RAM SINGLE PUMP		
*03	04.271.16	RAM ASSY-D/A 70MM BORE X 635MM	1	
03	03.841.11	SEAL KIT	-	
*04	04.271.02	BONDED SEAL 3/8"BSP	6	
*05	05.124.01	ADAPTOR 3/8" BSP X 3/8" BSP	4	
*06	05.835.01	ADAPTOR-SWIVEL 90 3/8"BSP M/F	1	
*07	02.714.01	ADAPTOR-SWIVEL ST 3/8"BSP M/F	1	
*08	08.200.01	VALVE - ISOLATING 3/8" BSP	1	
*09	01.099.01	ADAPTOR 3/8BSP X1/4BSP	1	
*10	05.990.32	HOSE 1/4"BSP X 2200MM 90 X ST	1	
*11	04.056.16	TEE ADAPTOR 3/8" X 1/4" X 3/8"	1	
*12	05.990.30	HOSE 1/4"BSP X 2000MM 90 X ST	1	
*13	06.282.01	NON RETURN VALVE	1	
*18	05.991.30	HOSE 3/8"BSP X 2000MM 90 X ST	2	
*21	05.225.01	ADAPTOR-RDCG.1/2"BSP X 3/8"BSP	2	
*22	05.290.05	BONDED SEAL 1/2"BSP	2	
*23	05.300.03	PLUG-PLASTIC 1/2"BSP FEMALE	2	
72.276.01		RAM CIRCUIT - SECOND RAM		
*30	03.842.14	RAM ASSY-D/A 50MM BORE X 645MM	1	
30	03.842.16	SEAL KIT (03842 D/A RAMS)	-	
*31	05.290.04	BONDED SEAL 3/8"BSP	2	
*32	03.028.12	RESTRICTOR 3/8BSP X 1/4BSP	1	
*33	05.990.35	HOSE 1/4"BSP X 2500MM 90 X ST	1	
*34	05.835.04	ADAPTOR - SWIVEL 90 1/4"BSP MF	1	
*35	01.099.01	ADAPTOR 3/8"BSP X1/4"BSP	1	
*36	05.990.35	HOSE 1/4"BSP X 2500MM 90 X ST	1	
72.277.01		RAM CIRCUIT - COWL RAM		
*40	03.842.15	RAM ASSY-D/A 50 BORE X 430MM	1	
40	03.842.16	SEAL KIT (03842 D/A RAMS)	-	
40	05.201.11	TENSION PIN 5MM X 45MM PLATED	-	
*41	05.290.04	BONDED SEAL 3/8"BSP	2	
*42	03.028.08	RESTRICTOR 3/8"BSP X 1/4"BSP	2	
*43	05.990.48	HOSE 1/4"BSP X 3800MM 90 X ST	2	
*44	05.835.04	ADAPTOR - SWIVEL 90 1/4"BSP MF	2	

*MAIN PART IN GROUP, RELATED PARTS HAVE SAME REFERENCE NUMBER



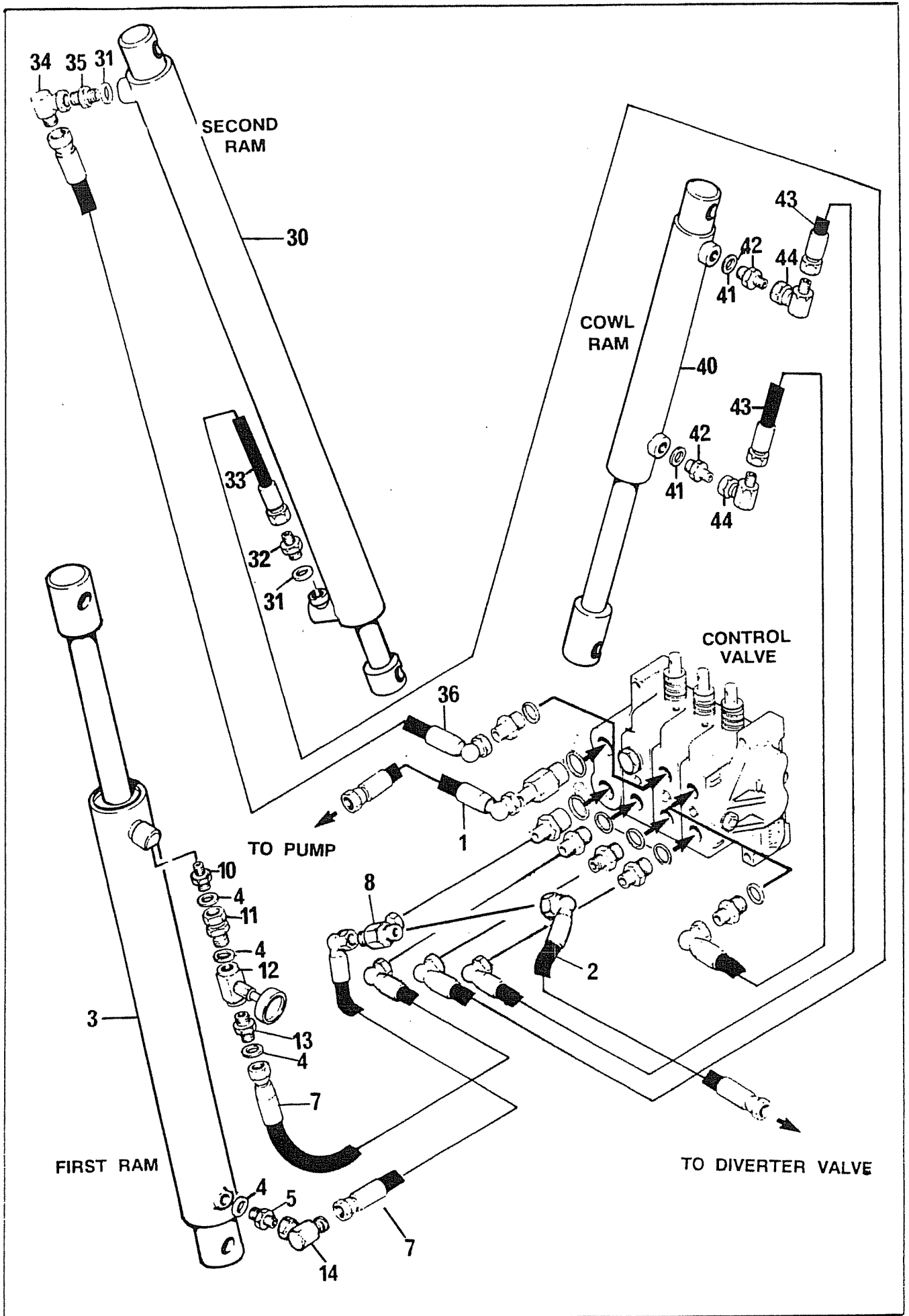
REF	PART NO.	DESCRIPTION	QTY	SERIAL NO. FROM - TO
72.283.02		RAM CIRCUIT - FIRST RAM TWIN PUMP		
*01	05.991.18	HOSE 3/8" BSP X 900MM 90 X ST	1	
*02	05.991.14	HOSE 3/8"BSP X 700MM 90 X ST	-	
*03	04.271.16	RAM ASSY D/A 70MM BORE	1	
03	04.271.02	SEAL KIT	-	
*04	05.290.04	BONDED SEAL 3/8"BSP	6	
*05	05.124.01	ADAPTOR 3/8" BSP X 3/8" BSP	1	
*06	05.835.01	ADAPTOR-SWIVEL 90 3/8"BSP M/F	1	
*07	02.714.01	ADAPTOR-SWIVEL ST 3/8BSP M/F	1	
*08	08.200.01	VALVE - ISOLATING 3/8" BSP	1	
*09	01.099.01	ADAPTOR 3/8"BSP X 1/4"BSP	2	
*10	05.990.32	HOSE 1/4"BSP X 2200MM 90 X ST	1	
*11	04.056.16	TEE ADAPTOR 3/8" X 1/4" X 3/8"	1	
*12	05.990.30	HOSE 1/4"BSP X 2000MM 90 X ST	1	
*13	05.835.04	ADAPTOR SWIVEL 1/4" BSP	1	
72.276.01		RAM CIRCUIT - SECOND RAM		
*30	03.842.14	RAM ASSY-D/A 50MM BORE X 645MM	1	
30	03.842.16	SEAL KIT (03842 D/A RAMS)	-	
*31	05.290.04	BONDED SEAL 3/8"BSP	2	
*32	03.028.12	RESTRICTOR 3/8BSP X 1/4BSP	1	
*33	05.990.35	HOSE 1/4"BSP X 2500MM 90 X ST	1	
*34	05.835.04	ADAPTOR - SWIVEL 90 1/4"BSP MF	1	
*35	01.099.01	ADAPTOR 3/8"BSP X 1/4"BSP	1	
*36	05.990.35	HOSE 1/4"BSP X 2500MM 90 X ST	1	
72.277.01		RAM CIRCUIT - COWL RAM		
*40	03.842.15	RAM ASSY-D/A 50 BORE X 430MM	1	
40	03.842.16	SEAL KIT (03842 D/A RAMS)	-	
40	05.201.11	TENSION PIN 5MM X 45MM PLATED	-	
*41	05.290.04	BONDED SEAL 3/8"BSP	2	
*42	03.028.08	RESTRICTOR 3/8"BSP X 1/4"BSP	2	
*43	05.990.48	HOSE 1/4"BSP X 3800MM 90 X ST	2	
*44	05.835.04	ADAPTOR - SWIVEL 90 1/4"BSP MF	2	

*MAIN PART IN GROUP, RELATED PARTS HAVE SAME REFERENCE NUMBER



REF	PART NO.	DESCRIPTION	QTY	SERIAL NO. FROM - TO
72.259.01		RAM CIRCUIT-FIRST RAM SINGLE PUMP		
03	04.271.02	SEAL KIT (04271 RET. RAMS)	-	
*03	04.271.10	RAM ASSY D/A 70MM BORE X 670MM	1	
03	05.201.11	TENSION PIN 5MM X 45MM PLATED	-	
*04	05.290.04	BONDED SEAL 3/8"BSP	8	
*05	03.028.08	RESTRICTOR 3/8"BSP X 1/4BSP	1	
*07	05.990.32	HOSE 1/4"BSP X 2200MM 90 X ST	-	
*08	04.056.04	TEE ADAPTOR 3/8"X 1/4"X 3/8"	1	
*10	05.124.01	ADAPTOR 3/8" BSP X 3/8" BSP	4	
*11	02.714.01	ADAPTOR-SWIVEL ST 3/8BSP M/F	1	
*12	08.200.01	VALVE - ISOLATING 3/8" BSP	1	
*13	01.099.01	ADAPTOR 3/8"BSP X 1/4 BSP	1	
*14	05.990.32	HOSE 1/4"BSP X 2200MM 90 X ST	1	
*15	06.282.01	VALVE ASSEMBLY - NON RETURN	1	
*18	05.991.30	HOSE 3/8"BSP X 2000MM 90 X ST	2	
*21	05.225.01	ADAPTOR-RDCG.1/2"BSP X 3/8"BSP	2	
*22	05.290.05	BONDED SEAL 1/2"BSP	2	
*23	05.300.03	PLUG-PLASTIC 1/2"BSP FEMALE	2	
*24	05.835.04	ADAPTOR-SWIVEL 90 X 1/4" BSP MF	1	
72.257.01		RAM CIRCUIT - SECOND RAM		
30	04.156.13	SEAL KIT (04156 D/A RAMS)	-	
*30	04.156.22	RAM ASSY D/A 60MM BORE X 645MM	1	
*31	05.290.04	BONDED SEAL 3/8"BSP	1	
*32	03.028.12	RESTRICTOR 3/8BSP X 1/4BSP	1	
*33	05.990.39	HOSE 1/4"BSP X 2900MM 90XST	1	
*34	05.835.04	ADAPTOR-SWIVEL 90 1/4" BSP MF	1	
*35	01.099.01	ADAPTOR 3/8BSP X 1/4BSP	1	
*36	05.990.32	HOSE 1/4"BSP X 2200MM 90XST	1	
72.256.01		RAM CIRCUIT - COWL RAM		
40	03.842.15	RAM ASSY D/A 50MM BORE X 430MM	1	
40	03.842.16	SEAL KIT (03842 D/A RAMS)	-	
*40	05.201.11	TENSION PIN 5MM X 45MM PLATED	-	
*41	05.290.04	BONDED SEAL 3/8"BSP	2	
*42	03.028.12	RESTRICTOR 3/8BSP X 1/4BSP	2	
*43	05.990.39	HOSE 1/4"BSP X 2900MM 90XST	2	
*44	05.835.04	ADAPTOR-SWIVEL 90 X 1/4" BSP MF	2	

*MAIN PART IN GROUP, RELATED PARTS HAVE SAME REFERENCE NUMBER



REF	PART NO.	DESCRIPTION	QTY	SERIAL NO. FROM - TO
72.258.01		RAM CIRCUIT-FIRST RAM TWIN PUMP		
*01	05.991.18	HOSE 3/8" BSP X 900MM 90 X ST	1	
*02	05.991.14	HOSE 3/8"BSP X 700MM 90 X ST	1	
03	04.271.02	SEAL KIT (04271 RET. RAMS)	-	
*03	04.271.10	RAM ASSY D/A 70MM BORE X 670MM	1	
03	05.201.11	TENSION PIN 5MM X 45MM PLATED	-	
*04	05.290.04	BONDED SEAL 3/8"BSP	4	
*05	03.028.08	RESTRICTOR 3/8BSP X 1/4BSP	1	
*07	05.990.32	HOSE 1/4"BSP X 2200MM 90 X ST	2	
*08	04.056.04	TEE ADAPTOR 3/8"X 1/4"X 3/8"	1	
*10	05.124.01	ADAPTOR 3/8" BSP X 3/8" BSP	1	
*11	02.714.01	ADAPTOR-SWIVEL ST 3/8BSP M/F	1	
*12	08.200.01	VALVE - ISOLATING 3/8" BSP	1	
*13	01.099.01	ADAPTOR 3/8BSP X1/4BSP	1	
*14	05.835.04	ADAPTOR - SWIVEL 90 X 1/4"BSP MF	1	
72.257.01		RAM CIRCUIT - SECOND RAM		
30	04.156.13	SEAL KIT (04156 D/A RAMS)	-	
*30	04.156.22	RAM ASSY D/A 60MM BORE X 645MM	1	
*31	05.290.04	BONDED SEAL 3/8"BSP	1	
*32	03.028.12	RESTRICTOR 3/8BSP X 1/4BSP	1	
*33	05.990.39	HOSE 1/4"BSP X 2900MM 90XST	1	
*34	05.835.04	ADAPTOR-SWIVEL 90 1/4" BSP MF	1	
*35	01.099.01	ADAPTOR 3/8BSP X1/4BSP	1	
*36	05.990.32	HOSE 1/4"BSP X 2200MM 90XST	1	
72.256.01		RAM CIRCUIT - COWL RAM		
40	03.842.15	RAM ASSY D/A 50MM BORE X 430MM	1	
40	03.842.16	SEAL KIT (03842 D/A RAMS)	-	
*40	05.201.11	TENSION PIN 5MM X 45MM PLATED	-	
*41	05.290.04	BONDED SEAL 3/8"BSP	2	
*42	03.028.12	RESTRICTOR 3/8BSP X 1/4BSP	2	
*43	05.990.39	HOSE 1/4"BSP X 2900MM 90XST	2	
*44	05.835.04	ADAPTOR-SWIVEL 90 1/4" BSP MF	2	

*MAIN PART IN GROUP, RELATED PARTS HAVE SAME REFERENCE NUMBER

REF	PART NO.	DESCRIPTION	QTY	SERIAL NO. FROM - TO
	71.245.03, 71.929.01, 72.272.01, 72.287.01	DECALS		
*01	07.522.01	DECAL - BOMFORD B457 LH	1	
01	07.522.02	DECAL-BOMFORD B457 RH	1	
*02	02.783.03	DECAL-APPROVED OILS	1	
*03	02.948.01	DECAL - LIFTING POINT INST	1	
*04	02.950.01	DECAL - LIFTING POINT	1	
*05	03.785.01	DECAL-GREASE	5	
*06	04.404.01	DECAL - IMPORTANT FIT GUARDS	-	
*07	05.349.01	DECAL-IMPORTANT (NUTS TIGHT)	1	
*08	02.737.06	DECAL SET - ENGLISH (SMALL)	1	
*09	06.007.03	DECAL-WEIGHT 500KG	1	
*10	08.740.03	DECAL - LR13	1	
*11	07.522.14	DECAL - BOMFORD B397 RH	1	

*MAIN PART IN GROUP, RELATED PARTS HAVE SAME REFERENCE NUMBER

