

PM 6007

B315

ARM FLAIL MOWER

PARTS MANUAL

ISSUE 1

IMPORTANT

NOTE HERE THE SERIAL NUMBER OF YOUR MACHINE AND ALWAYS QUOTE IT IN ANY COMMUNICATION WITH US OR YOUR DEALER. THIS IS PARTICULARLY IMPORTANT WHEN ORDERING SPARES. REMEMBER TO INCLUDE ALL NUMBERS AND LETTERS.

MACHINE SERIAL NUMBERS _____

THE INFORMATION GIVEN THROUGHOUT THIS MANUAL IS CORRECT AT THE TIME OF PUBLICATION. HOWEVER, IN THE COURSE OF CONSTANT DEVELOPMENT OF BOMFORD TURNER MACHINES, CHANGES IN SPECIFICATION ARE INEVITABLE. SHOULD YOU FIND THE INFORMATION GIVEN IN THIS BOOK TO BE AT VARIANCE WITH THE MACHINE IN YOUR POSSESSION, YOU ARE ADVISED TO CONTACT THE BOMFORD TURNER SERVICE DEPARTMENT WHERE UP-TO-DATE INFORMATION WILL BE PROVIDED.

THE MANUAL CAN CONTAIN STANDARD AND OPTIONAL FEATURES AND IS NOT TO BE USED AS A MACHINE SPECIFICATION.

THE MACHINE HAS BEEN TESTED AND IS CONSIDERED SAFE IF CAREFULLY USED. ENSURE YOUR OPERATOR IS PROPERLY TRAINED IN ITS USE AND MAINTENANCE.

IMPORTANT

NOTEZ ICI LES NUMEROS DE SERIE DE VOTRE MACHINE ET MENTIONNEZ LES DANS TOUTE COMMUNICATION AVEC NOS SERVICES OU VOTRE REVENDEUR. CECI EST IMPORTANT POUR LA COMMANDE DE PIECES DETACHEES. PENSEZ A NOTER TOUS LES NUMEROS ET TOUTES LES LETTERS.

NUMEROS DE SERIE DE LA MACHINE _____

LES INFORMATIONS DONNEES DANS CE MANUEL SONT CORRECTES CEPENDANT, DU FAIT DE DEVELOPPEMENT CONSTANT DES MACHINES BOMFORD TURNER.

CHANGEMENTS DANS LES CARACTERISTIQUES SONT INEVITABLES.

SI VOUS TROUVEZ QUE LES INFORMATIONS DONNEES NE CORRESPONDENT PAS A VOTRE MACHINE VEUILLEZ CONTACTER LE SERVICE DES REPARATIONS OU DES INFORMATIONS PLUS RECENTES VOUS SERONT DONNEES.

CE MANUEL PEUT MONTRER DES CARACTERISTIQUES OPTIONNELLES ET NE PEUT PAS ETRE CONSIDERE COMME SPECIFICATION DE LA MACHINE.

CETTE MACHINE A ETE TESTEE, ET ELLE EST CONSIDEREE COMME FIABLE A CONDITION D'UNE BONNE UTILISATION. ASSUREZ-VOUS QUE VOTRE OPERATEUR EST QUALIFIE EN CE QUI CONCERNE L'UTILISATION DE LA MACHINE AINSI QUE SON ENTRETIEN.

WICHTIG

TRAGEN SIE HIER DIE SERIENNUMMERN IHRER MASCHINE EIN UND GEBEN SIE DIESE IMMER AN, WENN SIE SICH AN UNS ODER IHREN HÄNDLER WENDEN. DAS IST BESONDERS BEI ERSATZTEILBESTELLUNGEN WICHTIG. VERGESSEN SIE NICHT, ALLE ZAHLEN UND BUCHSTABEN ZU NOTIEREN.

SERIENNUMMERN DER MASCHINE _____

DIE ANGABEN IN DIESEM HANDBUCH SIND BEI VERÖFFENTLICHUNG KORREKT. AUFGRUND DER KONSTANTEN WEITERENTWICKLUNG VON BOMFORD TURNER MASCHINEN SIND JEDOCHÄNDERUGDEN IN DER SPEZIFIKATION UNVERMEIDLICH. WENN DIE INFORMATION IN DIESEM HANDBUCH NICHT MIT IHRER MASCHINE ÜBEREINSTIMMEN, NEHMEN SIE BITTE KONTAKT MIT DER BOMFORD TURNER KUNDENDIENSTABTEILUNG AUF, DIE IHNEN GERNE DIE AKTUELLEN INFORMATION ZUKOMMEN LÄSST.

DAS HANDBUCH KANN SOWOHL BESCHREIBUNGEN FÜR DIE STANDARD AUSFÜHRUNG ALS AUCH FÜR ZUBEHÖR ENTHALTEN UND IST NICHT ALS MASCHINENSPEZIFIKATION ZU VERWENDET.

DIE MASCHINE IST GETESTET UND BEI SACHGEMÄSSEM BETRIEB ALS SICHER BEFUNDEN WORDEN. SORGEN SIE DAFÜR, DASS IHR BEDIENPERSONAL IN ANWENDUNG UND WARTUNG RICHTIG GESCHULT WIRD.

B315 ARM FLAIL MOWER

PAGE ILLUSTRATION NUMBERS SHOWN ARE USED ONLY FOR REFERENCE PURPOSES AND SHOULD NOT BE USED FOR ORDERING SPARE PARTS. PLEASE ENSURE THE CORRECT PART NUMBER AND DESCRIPTION IS GIVEN WHEN ORDERING SPARE PARTS.

SECTION NO	DESCRIPTION
2	MAINFRAME ASSEMBLY
3	OIL TANK ASSEMBLY
4	ROCKER ASSEMBLY
5	ARM ASSEMBLIES
6	GEARBOX & PUMP CIRCUITS
7	VALVES
8	CAB CONTROL KIT
9	RAM CIRCUITS
10	HOSE CIRCUITS
11	DECALS
12	ARM FLOAT KIT
13	JIC ADAPTER KIT
14	STABILIZER
15	TRANSPORT PACK

IMPORTANT

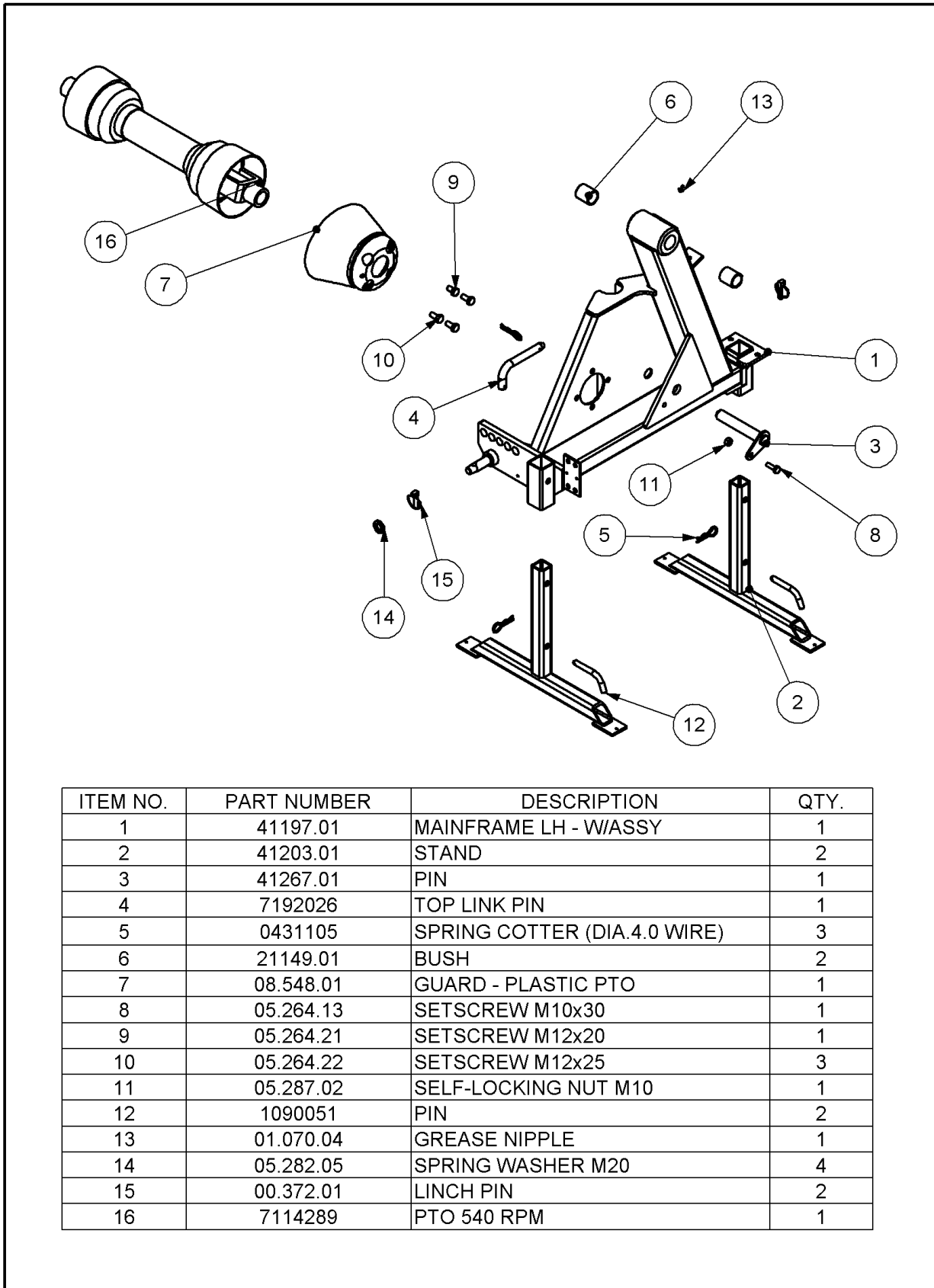
THIS MACHINE IS FOR VEGETATION CONTROL AND MUST NOT BE USED FOR ANY OTHER PURPOSE

IT IS POTENTIALLY HAZARDOUS TO FIT OR USE ANY PARTS OTHER THAN GENUINE BOMFORD TURNER PARTS

THE COMPANY DISCLAIMS ALL LIABILITY FOR THE CONSEQUENCES OF SUCH USE WHICH, IN ADDITION, VOIDS THE MACHINE WARRANTY

MAINFRAME ASSY LH

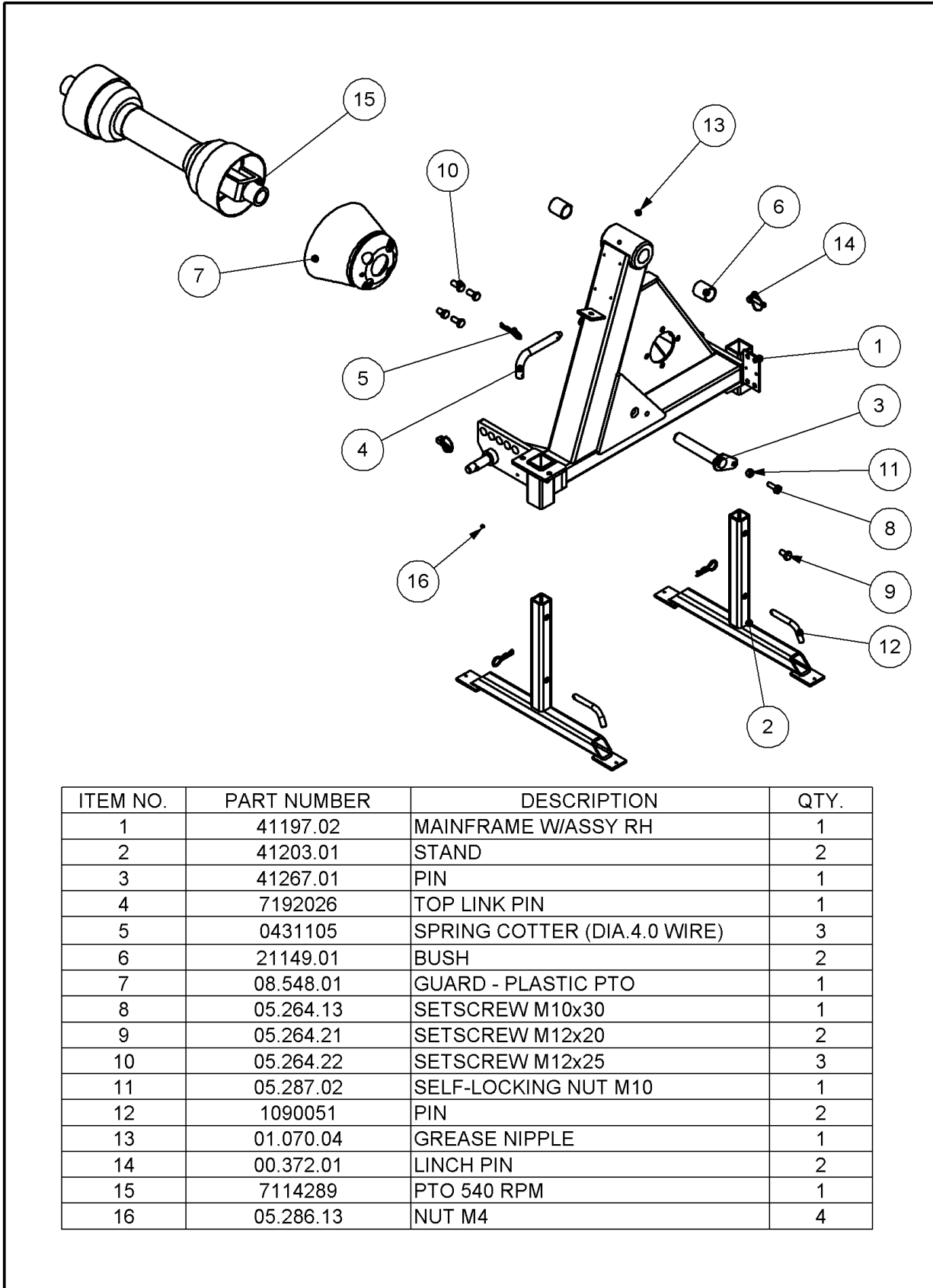
77.713.01 REV : A



ITEM NO.	PART NUMBER	DESCRIPTION	QTY.
1	41197.01	MAINFRAME LH - W/ASSY	1
2	41203.01	STAND	2
3	41267.01	PIN	1
4	7192026	TOP LINK PIN	1
5	0431105	SPRING COTTER (DIA.4.0 WIRE)	3
6	21149.01	BUSH	2
7	08.548.01	GUARD - PLASTIC PTO	1
8	05.264.13	SETSCREW M10x30	1
9	05.264.21	SETSCREW M12x20	1
10	05.264.22	SETSCREW M12x25	3
11	05.287.02	SELF-LOCKING NUT M10	1
12	1090051	PIN	2
13	01.070.04	GREASE NIPPLE	1
14	05.282.05	SPRING WASHER M20	4
15	00.372.01	LINCH PIN	2
16	7114289	PTO 540 RPM	1

MAINFRAME ASSY RH

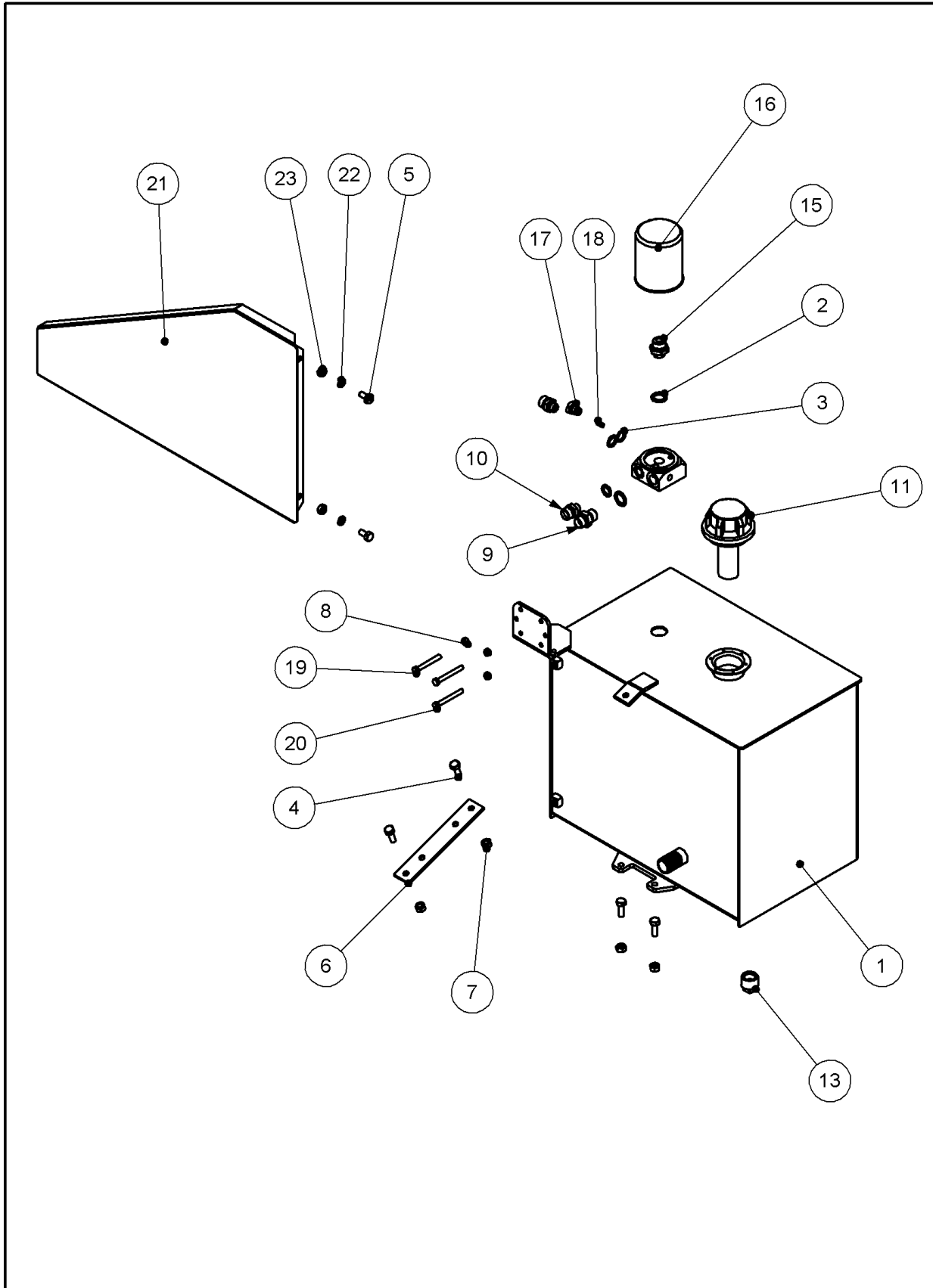
77.714.01 REV : A



ITEM NO.	PART NUMBER	DESCRIPTION	QTY.
1	41197.02	MAINFRAME W/ASSY RH	1
2	41203.01	STAND	2
3	41267.01	PIN	1
4	7192026	TOP LINK PIN	1
5	0431105	SPRING COTTER (DIA.4.0 WIRE)	3
6	21149.01	BUSH	2
7	08.548.01	GUARD - PLASTIC PTO	1
8	05.264.13	SETSCREW M10x30	1
9	05.264.21	SETSCREW M12x20	2
10	05.264.22	SETSCREW M12x25	3
11	05.287.02	SELF-LOCKING NUT M10	1
12	1090051	PIN	2
13	01.070.04	GREASE NIPPLE	1
14	00.372.01	LINCH PIN	2
15	7114289	PTO 540 RPM	1
16	05.286.13	NUT M4	4

OIL TANK LH ASSY

77.711.01 REV : A



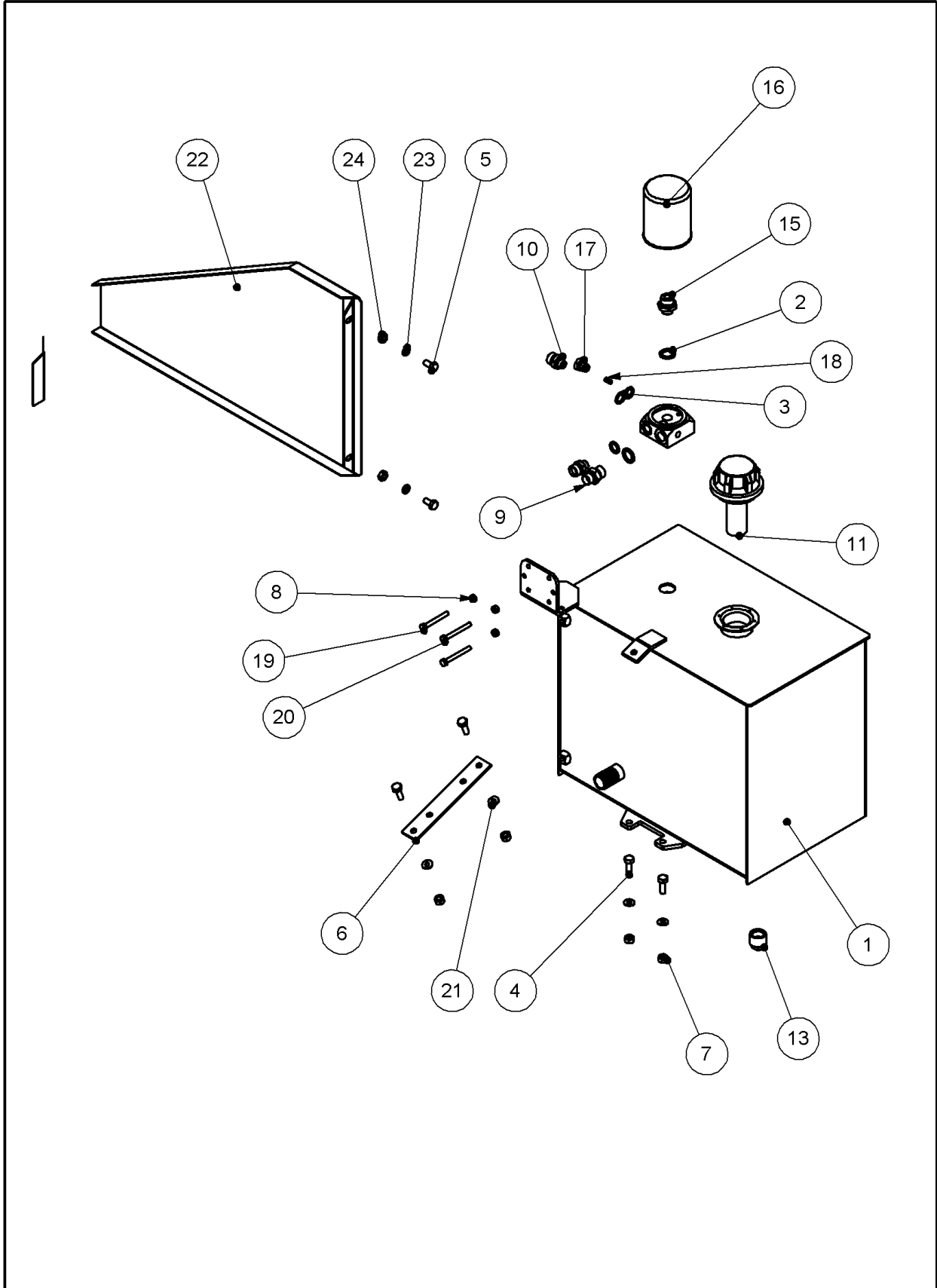
OIL TANK LH ASSY

77.711.01 REV : A

OIL TANK LH ASSY - 77.711.01

ITEM NO.	PART NUMBER	DESCRIPTION	QTY.
1	41196.01	OIL TANK LH	1
2	05.290.05	BONDED SEAL 1/2" BSP	6
3	05.290.04	BONDED SEAL 3/8" BSP	3
4	05.264.13	SETSCREW M10x30	4
5	05.264.11	SETSCREW M10x20	4
6	41204.01	FLAT 40x5	1
7	05.287.02	SELF-LOCKING NUT M10	4
8	05.287.01	SELF-LOCKING NUT M8	3
9	G3812120	ADAPTOR 1/2x5/8"BSP MM	1
10	8581175	ADAPTOR 3/8"x5/8"BSP MM	2
11	8401014	FILLER BREATHER ASSY	1
12	8130030	SERVICE LINE RELIEF	1
13	8581203	TAPER PLUG 1"BSP HOLLOW	1
14	8582042	1/4" GAS PIPE PLUG	1
15	8581174	ADAPTOR 1/2"BSPx1"UNF	1
16	8401045	FILTER ELEMENT	1
17	8130031	RELIEF VALVE CAP SHORT	1
18	8116011	SPRING OD.275x5/8"LG	1
19	05.291.08	BOLT M8x65	1
20	05.291.09	BOLT M8x70	2
21	41875.02	TANK FAIRING - LH W/ASSY	1
22	05.282.02	SPRING WASHER M10	4
23	05.286.17	NUT M10	2

OIL TANK RH ASSY
77.712.01 REV : A



OIL TANK RH ASSY

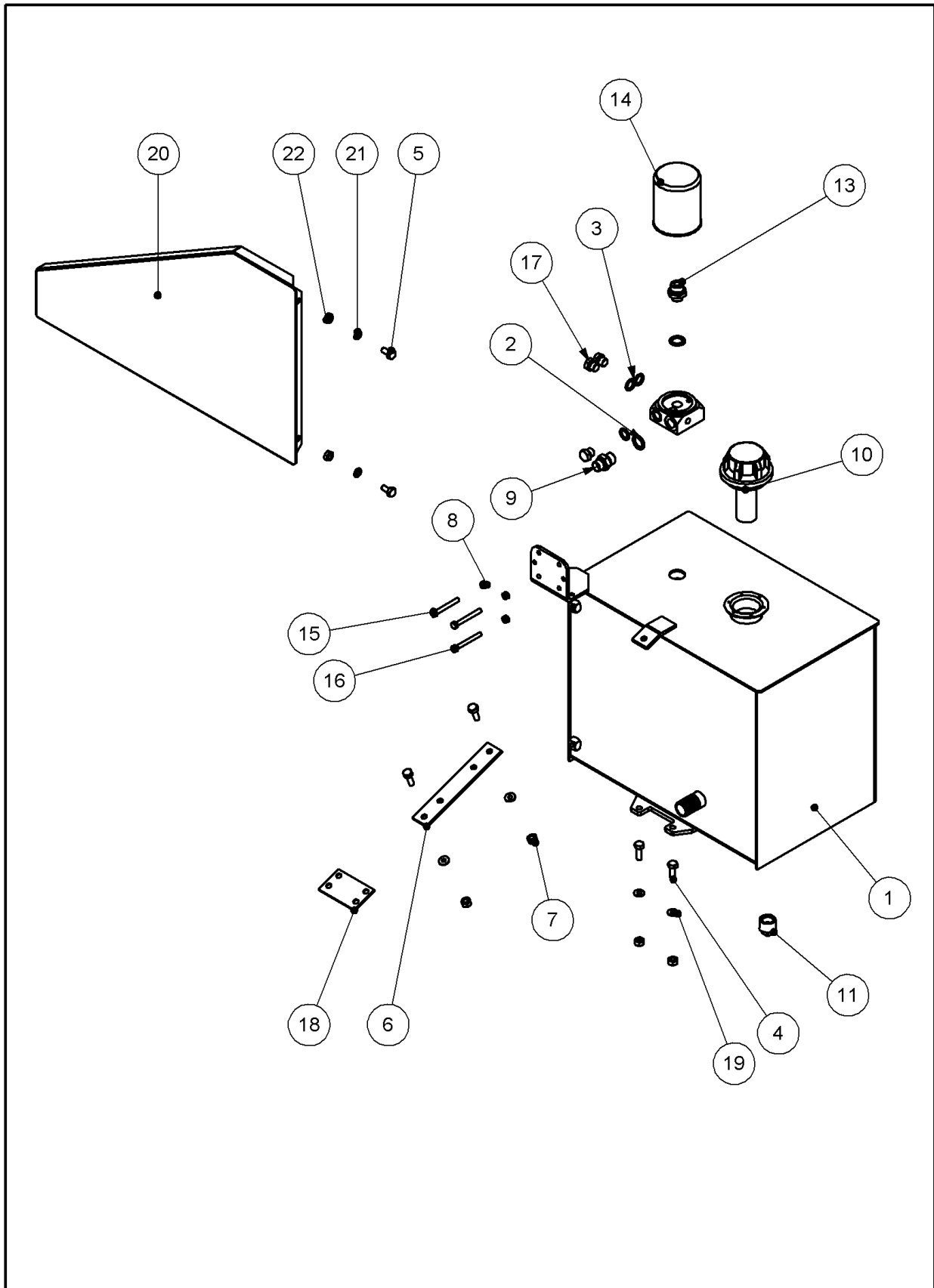
77.712.01 REV : A

OIL TANK RH ASSY - 77.712.01

ITEM NO.	PART NUMBER	DESCRIPTION	QTY.
1	41196.02	TANK W/ASSY RH	1
2	05.290.05	BONDED SEAL 1/2" BSP	2
3	05.290.04	BONDED SEAL 3/8" BSP	3
4	05.264.13	SETSCREW M10x30	4
5	05.264.11	SETSCREW M10x20	4
6	41204.01	FLAT 40x5	1
7	05.287.02	SELF-LOCKING NUT M10	4
8	05.287.01	SELF-LOCKING NUT M8	3
9	G3812120	ADAPTOR 1/2x5/8"BSP MM	1
10	8581175	ADAPTOR 3/8"x5/8"BSP MM	2
11	8401014	FILLER BREATHER ASSY	1
12	8130030	SERVICE LINE RELIEF	1
13	8581203	TAPER PLUG 1"BSP HOLLOW	1
14	8582042	1/4" GAS PIPE PLUG	1
15	8581174	ADAPTOR 1/2"BSPx1"UNF	1
16	8401045	FILTER ELEMENT	1
17	8130031	RELIEF VALVE CAP SHORT	1
18	8116011	SPRING OD.275x5/8"LG	1
19	05.291.08	BOLT M8x65	1
20	05.291.09	BOLT M8x70	2
21	05.281.01	FLAT WASHER M8	4
22	41875.03	TANK FAIRING - RH	1
23	05.282.02	SPRING WASHER M10	4
24	05.286.17	NUT M10	2

TANK ASSY LH IND

77.720.01 REV : A



TANK ASSY LH IND

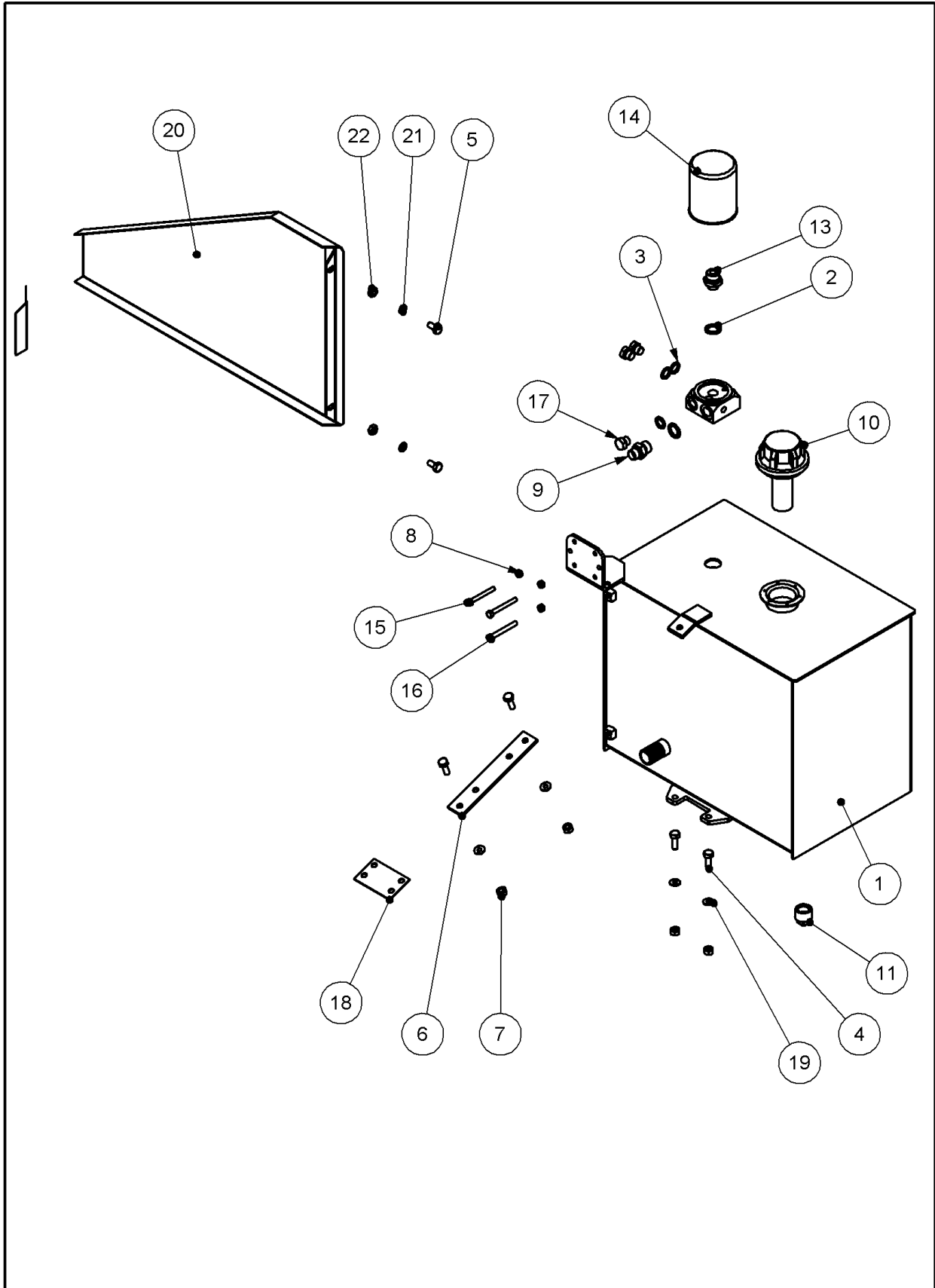
77.720.01 REV : A

TANK ASSY LH IND - 77.720.01

ITEM NO.	PART NUMBER	DESCRIPTION	QTY.
1	41196.01	OIL TANK LH	1
2	05.290.05	BONDED SEAL 1/2" BSP	2
3	05.290.04	BONDED SEAL 3/8" BSP	3
4	05.264.13	SETSCREW M10x30	6
5	05.264.11	SETSCREW M10x20	4
6	41204.01	FLAT 40x5	1
7	05.287.02	SELF-LOCKING NUT M10	6
8	05.287.01	SELF-LOCKING NUT M8	3
9	G3812120	ADAPTOR 1/2x5/8"BSP MM	1
10	8401014	FILLER BREATHER ASSY	1
11	8581203	TAPER PLUG 1"BSP HOLLOW	1
12	8582042	1/4" GAS PIPE PLUG	1
13	8581174	ADAPTOR 1/2"BSPx1"UNF	1
14	8401045	FILTER ELEMENT	1
15	05.291.08	BOLT M8x65	1
16	05.291.09	BOLT M8x70	2
17	05.433.01	PLUG 3/8"BSP	3
18	41204.02	FLAT	1
19	05.281.01	FLAT WASHER M8	4
20	41875.02	TANK FAIRING - LH W/ASSY	1
21	05.282.02	SPRING WASHER M10	4
22	05.286.17	NUT M10	2

TANK ASSY RH IND

77.721.01 REV : A

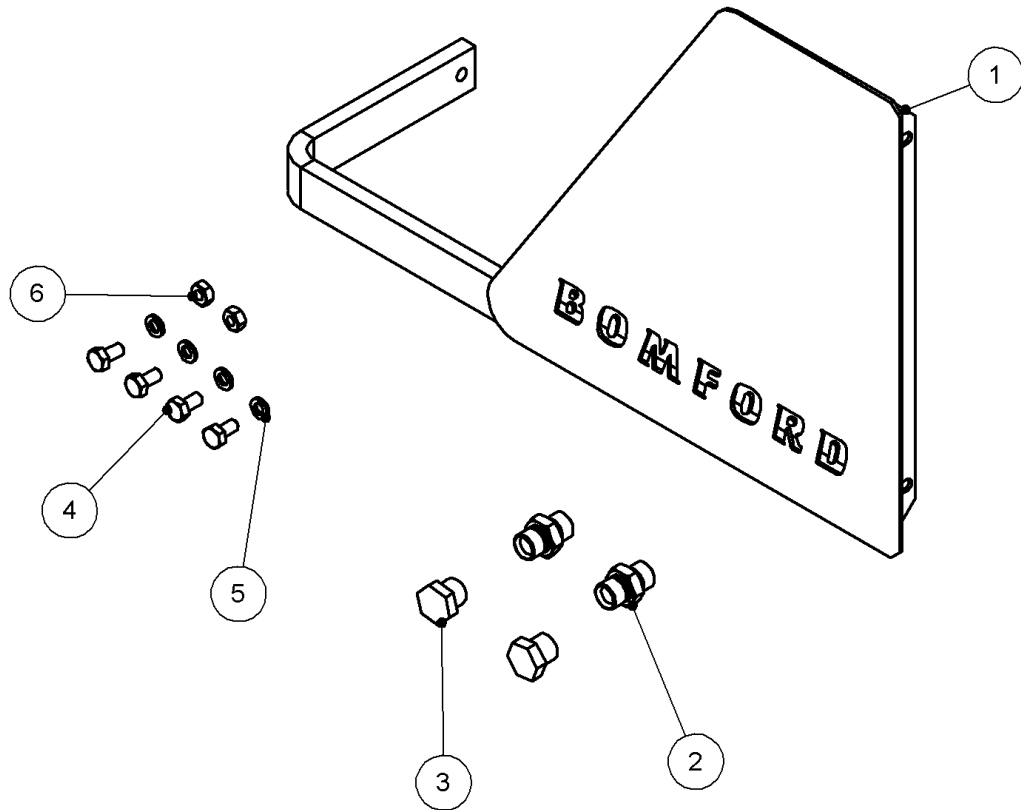


TANK ASSY RH IND
77.721.01 REV : A

TANK ASSY RH IND - 77.721.01

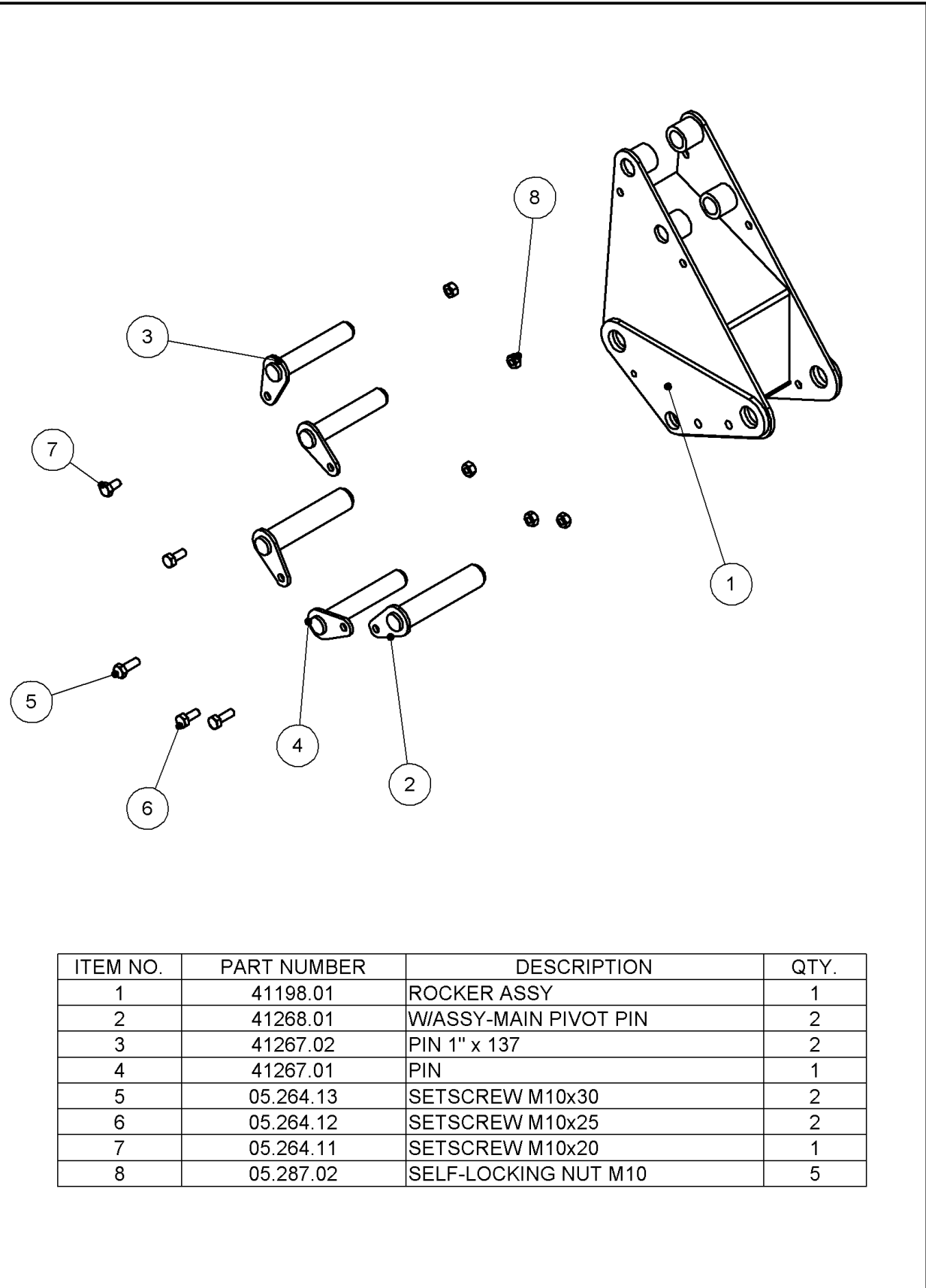
ITEM NO.	PART NUMBER	DESCRIPTION	QTY.
1	41196.02	TANK W/ASSY RH	1
2	05.290.05	BONDED SEAL 1/2" BSP	2
3	05.290.04	BONDED SEAL 3/8" BSP	3
4	05.264.13	SETSCREW M10x30	6
5	05.264.11	SETSCREW M10x20	4
6	41204.01	FLAT 40x5	1
7	05.287.02	SELF-LOCKING NUT M10	6
8	05.287.01	SELF-LOCKING NUT M8	3
9	G3812120	ADAPTOR 1/2x5/8"BSP MM	1
10	8401014	FILLER BREATHER ASSY	1
11	8581203	TAPER PLUG 1"BSP HOLLOW	1
12	8582042	1/4" GAS PIPE PLUG	1
13	8581174	ADAPTOR 1/2"BSPx1"UNF	1
14	8401045	FILTER ELEMENT	1
15	05.291.08	BOLT M8x65	1
16	05.291.09	BOLT M8x70	2
17	05.433.01	PLUG 3/8"BSP	3
18	41204.02	FLAT	1
19	05.281.01	FLAT WASHER M8	4
20	41875.03	TANK FAIRING - RH	1
21	05.282.02	SPRING WASHER M10	4
22	05.286.17	NUT M10	2

TANK COVER & FITTINGS LH
77.736.01 REV : A



ITEM NO.	PART NUMBER	DESCRIPTION	QTY.
1	43564.01	TANK COVER WASSY LH	1
2	8581318	5/8" BSP ADAPTOR MM UNION	2
3	05.433.19	PLUG - 5/8" BSP	2
4	05.264.11	SETSCREW M10x20	4
5	05.282.02	SPRING WASHER M10	4
6	05.286.17	NUT M10	2

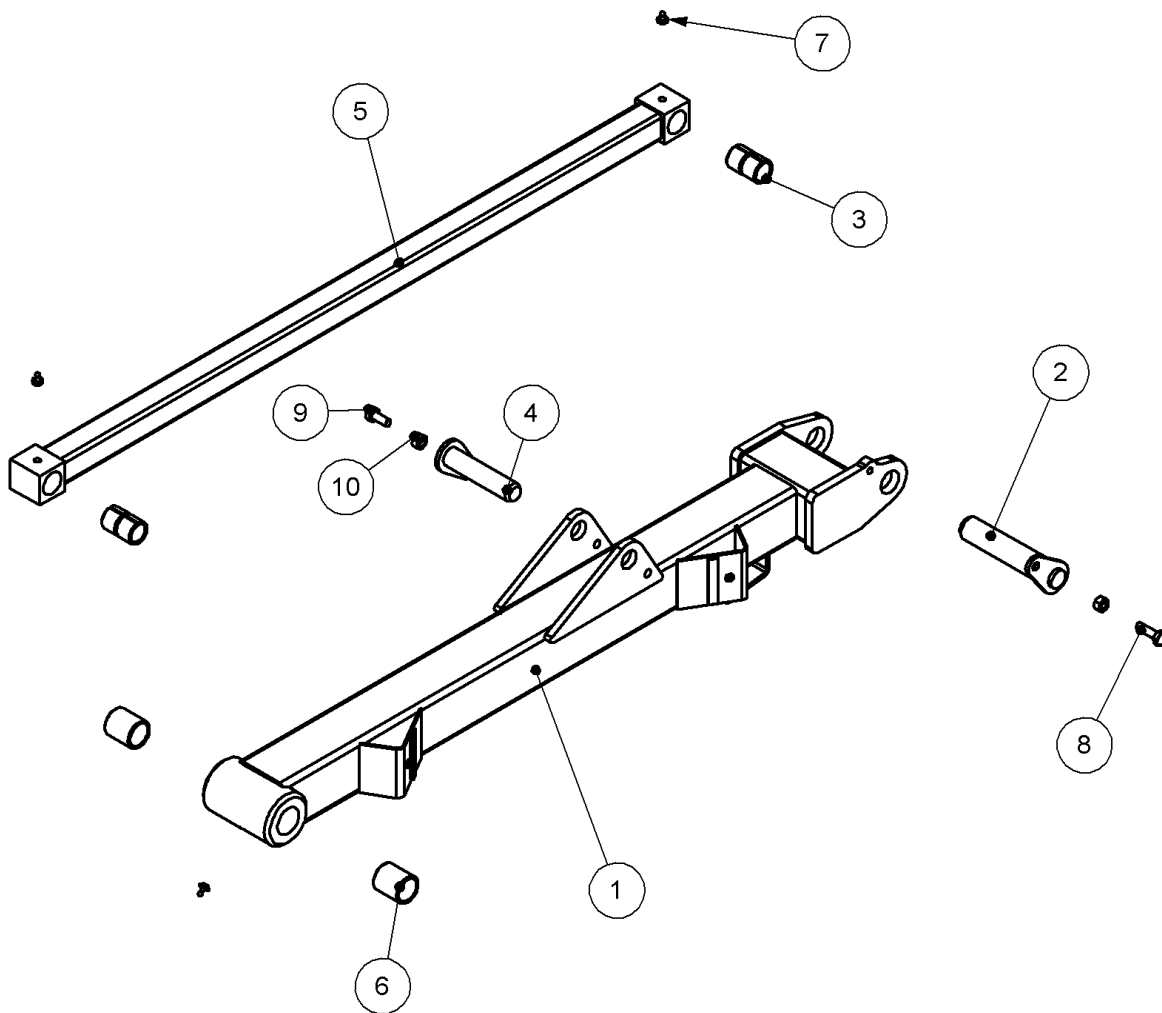
ROCKER ASSY
77.715.01 REV : A



ITEM NO.	PART NUMBER	DESCRIPTION	QTY.
1	41198.01	ROCKER ASSY	1
2	41268.01	W/ASSY-MAIN PIVOT PIN	2
3	41267.02	PIN 1" x 137	2
4	41267.01	PIN	1
5	05.264.13	SETSCREW M10x30	2
6	05.264.12	SETSCREW M10x25	2
7	05.264.11	SETSCREW M10x20	1
8	05.287.02	SELF-LOCKING NUT M10	5

1ST ARM LH PARALLEL

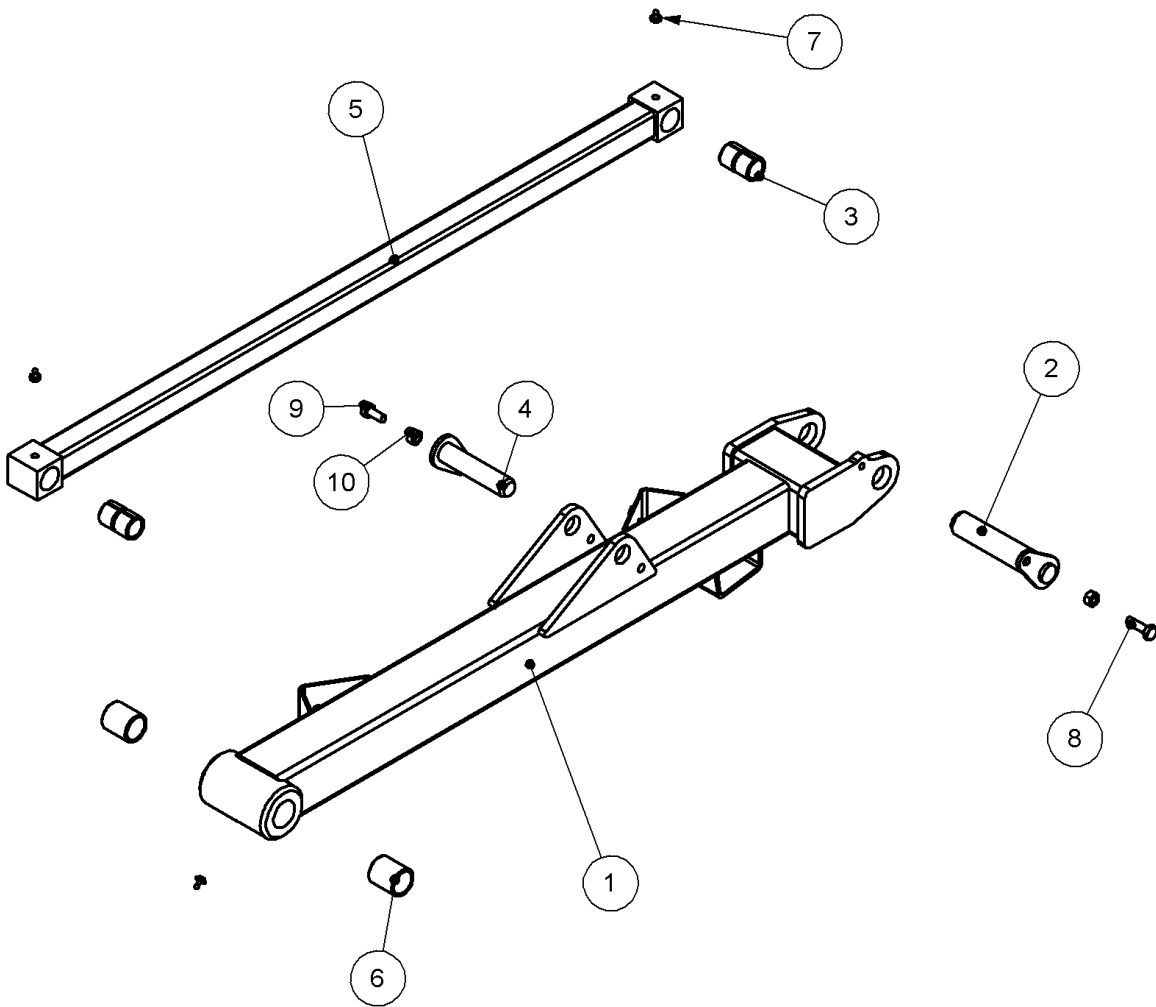
77.716.01 REV : A



ITEM NO.	PART NUMBER	DESCRIPTION	QTY.
1	41199.01	MAINARM LH W/ASSY	1
2	41268.01	W/ASSY-MAIN PIVOT PIN	1
3	7105050	ROD END BUSH	2
4	41267.04	PIN 1"DIA - 125MM O/ALL	1
5	41200.01	TENSION LINK W/ASSY	1
6	21149.01	BUSH	2
7	01.070.04	GREASE NIPPLE	3
8	05.264.14	SETSCREW M10x35	1
9	05.264.12	SETSCREW M10x25	1
10	05.287.02	SELF-LOCKING NUT M10	2

1ST ARM RH PARALLEL

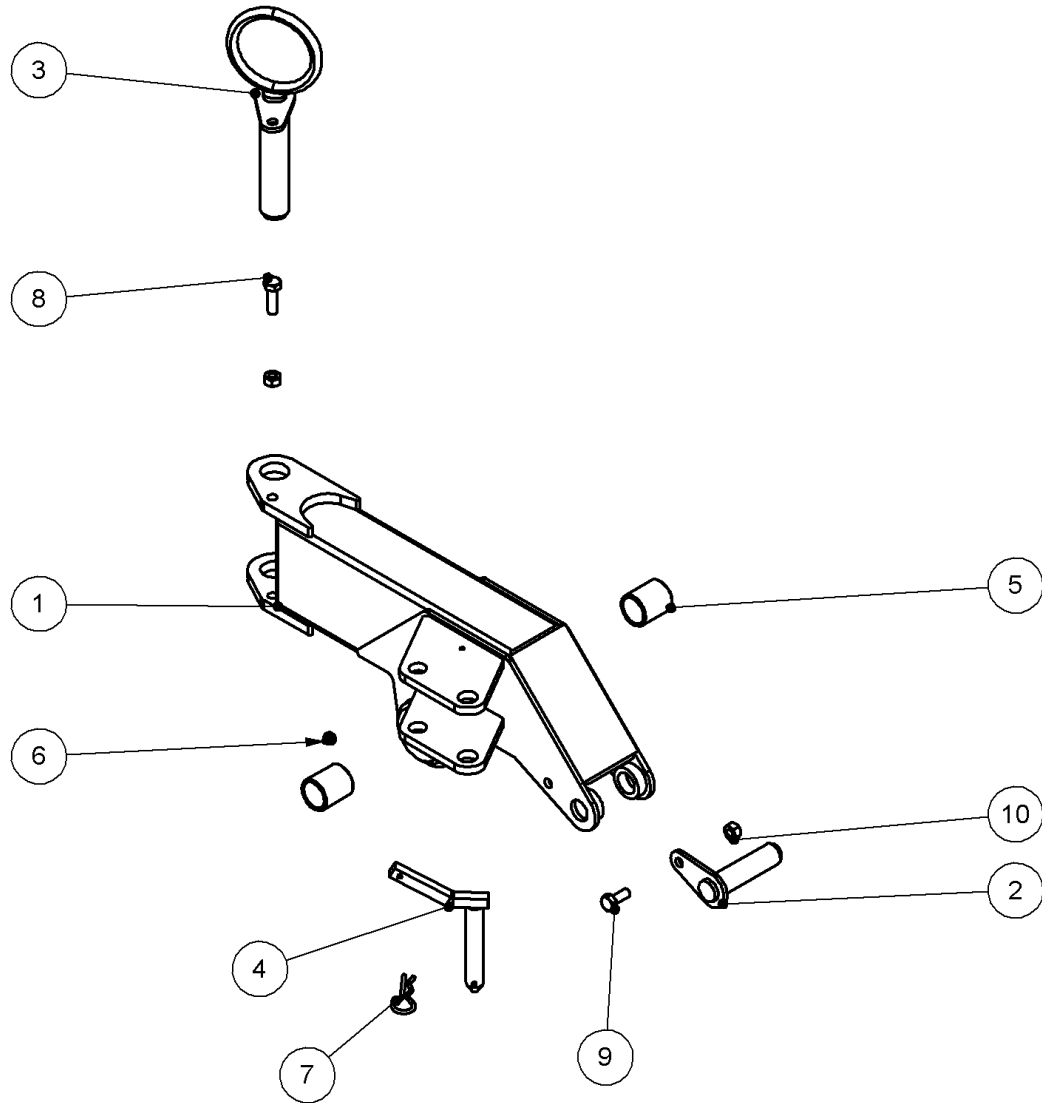
77.717.01 REV : A



ITEM NO.	PART NUMBER	DESCRIPTION	QTY.
1	41199.02	MAINARM RH W/ASSY	1
2	41268.01	W/ASSY-MAIN PIVOT PIN	1
3	7105050	ROD END BUSH	2
4	41267.04	PIN 1"DIA - 125MM O/ALL	1
5	41200.01	TENSION LINK W/ASSY	1
6	21149.01	BUSH	2
7	01.070.04	GREASE NIPPLE	3
8	05.264.14	SETSCREW M10x35	1
9	05.264.12	SETSCREW M10x25	1
10	05.287.02	SELF-LOCKING NUT M10	2

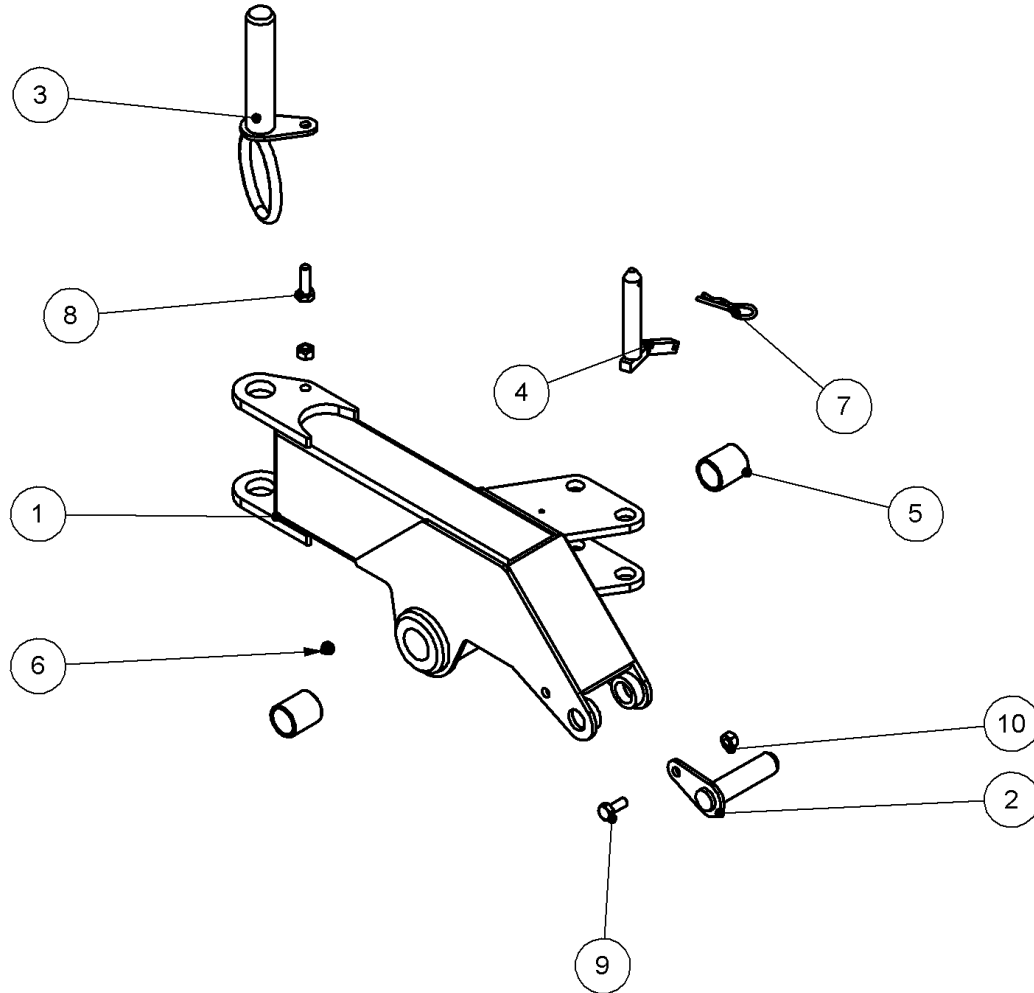
2ND ARM UPPER LH

77.718.01 REV : A



ITEM NO.	PART NUMBER	DESCRIPTION	QTY.
1	41201.01	DIPPER UPPER LH W/A	1
2	41267.03	PIN	1
3	41269.01	PIN - B/AWAY	1
4	7191036	PIN B/WAY - RAM BASE	1
5	21149.01	BUSH	2
6	01.070.04	GREASE NIPPLE	1
7	0431105	SPRING COTTER (DIA.4.0 WIRE)	1
8	05.264.14	SETSCREW M10x35	1
9	05.264.12	SETSCREW M10x25	1
10	05.287.02	SELF-LOCKING NUT M10	2

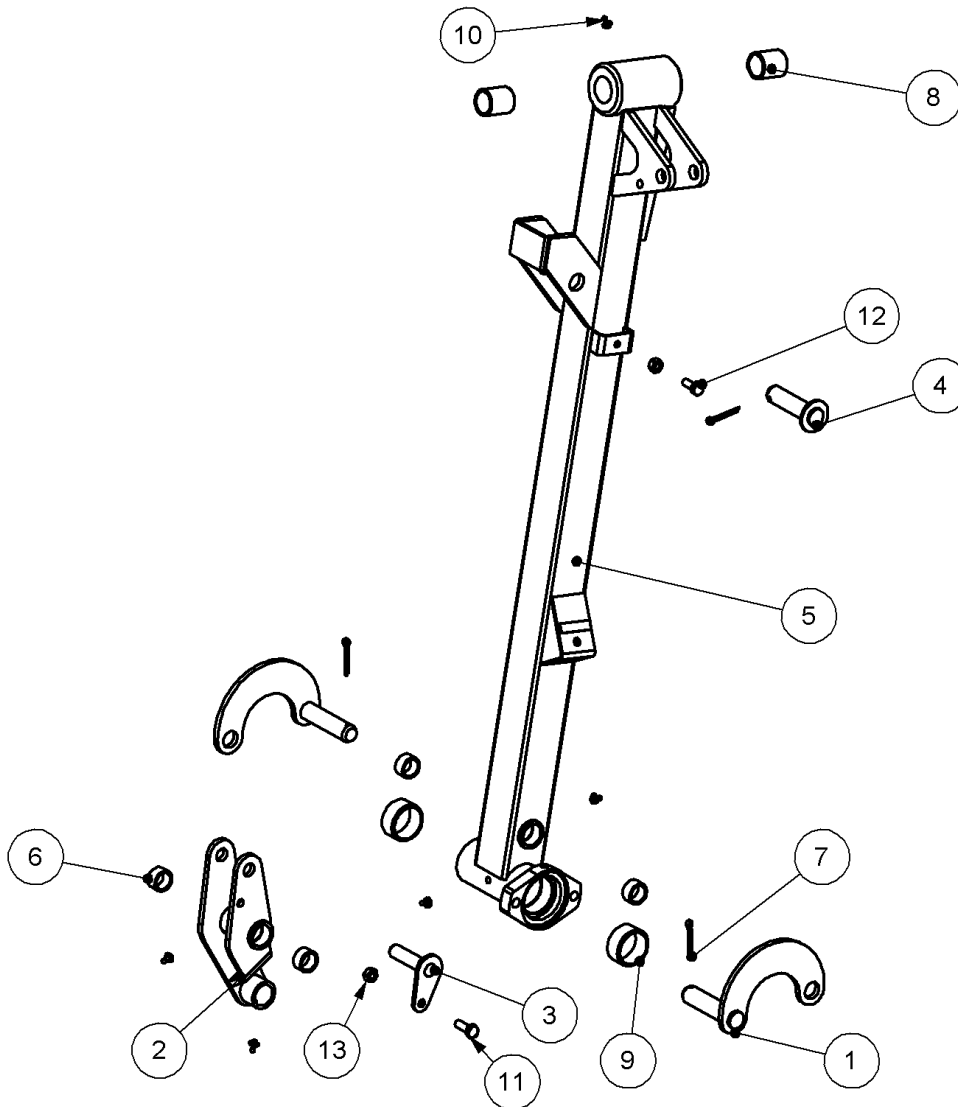
2ND ARM UPPER RH
77.719.01 REV : A



ITEM NO.	PART NUMBER	DESCRIPTION	QTY.
1	41201.02	DIPPER UPPER RH W/ASSY	1
2	41267.03	PIN	1
3	41269.01	PIN - B/AWAY	1
4	7191036	PIN B/WAY - RAM BASE	1
5	21149.01	BUSH	2
6	01.070.04	GREASE NIPPLE	1
7	0431105	SPRING COTTER (DIA.4.0 WIRE)	1
8	05.264.14	SETSCREW M10x35	1
9	05.264.12	SETSCREW M10x25	1
10	05.287.02	SELF-LOCKING NUT M10	2

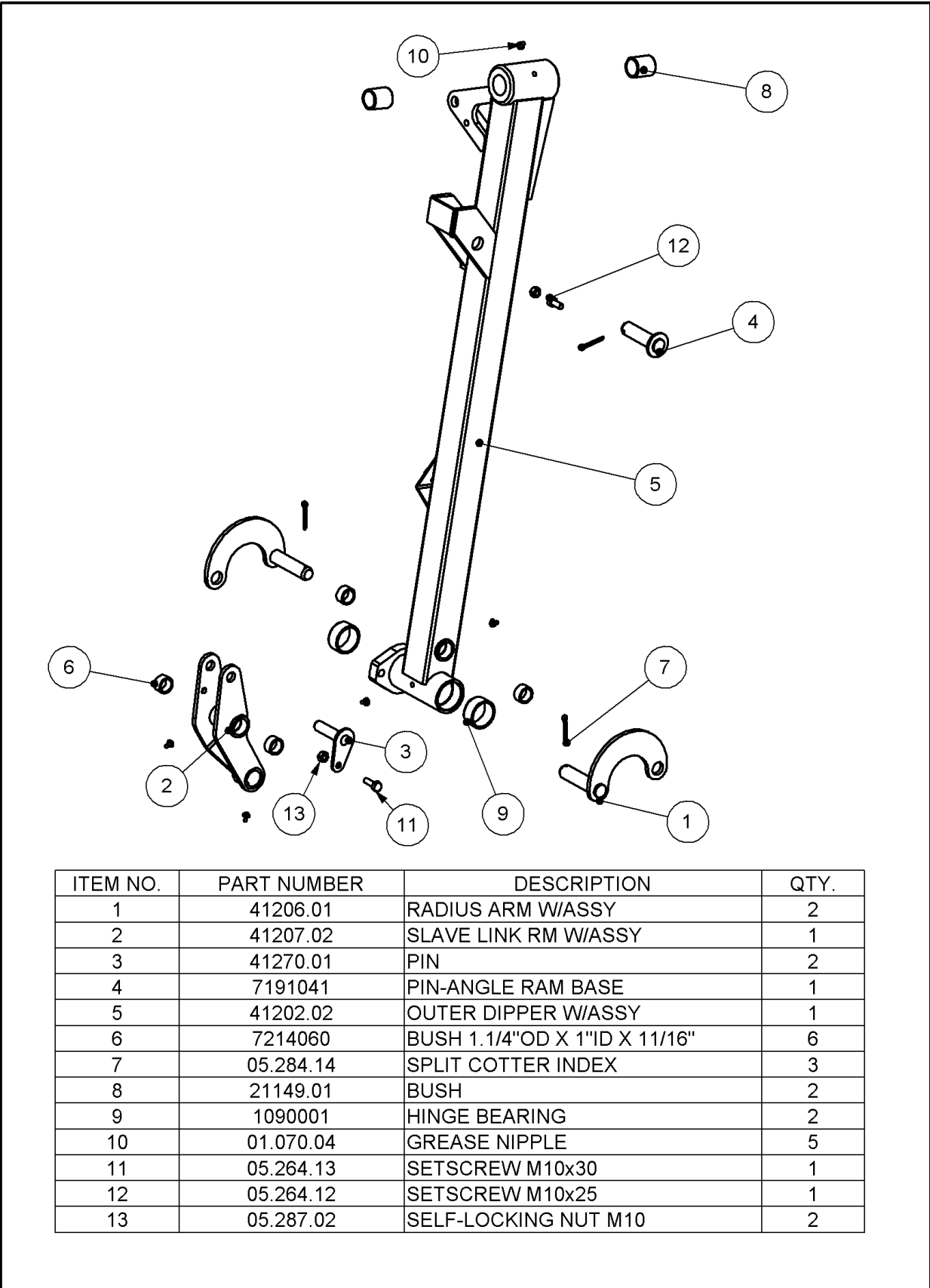
2ND ARM LOWER LH

77.722.01 REV : A



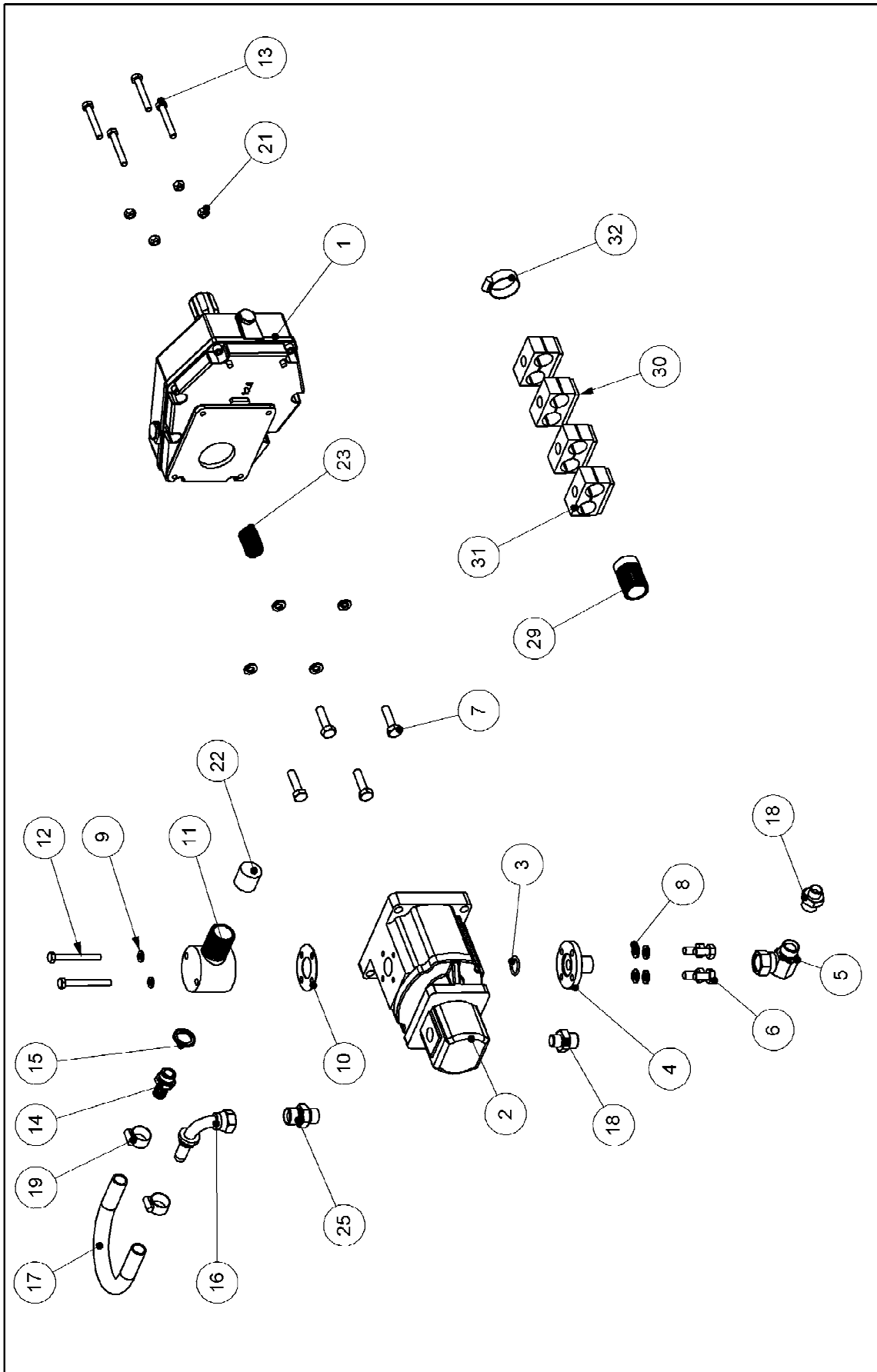
ITEM NO.	PART NUMBER	DESCRIPTION	QTY.
1	41206.01	RADIUS ARM W/ASSY	2
2	41207.01	SALVE LINK LH W/ASSY	1
3	41270.01	PIN	2
4	7191041	PIN-ANGLE RAM BASE	1
5	41202.01	OUTER DIPPER W/ASSY LH	1
6	7214060	BUSH 1.1/4"OD X 1"ID X 11/16"	6
7	05.284.14	SPLIT COTTER INDEX	3
8	21149.01	BUSH	2
9	1090001	HINGE BEARING	2
10	01.070.04	GREASE NIPPLE	5
11	05.264.13	SETSCREW M10x30	1
12	05.264.12	SETSCREW M10x25	1
13	05.287.02	SELF-LOCKING NUT M10	2

2ND ARM LOWER RH
77.723.01 REV : A



ITEM NO.	PART NUMBER	DESCRIPTION	QTY.
1	41206.01	RADIUS ARM W/ASSY	2
2	41207.02	SLAVE LINK RM W/ASSY	1
3	41270.01	PIN	2
4	7191041	PIN-ANGLE RAM BASE	1
5	41202.02	OUTER DIPPER W/ASSY	1
6	7214060	BUSH 1.1/4"OD X 1"ID X 11/16"	6
7	05.284.14	SPLIT COTTER INDEX	3
8	21149.01	BUSH	2
9	1090001	HINGE BEARING	2
10	01.070.04	GREASE NIPPLE	5
11	05.264.13	SETSCREW M10x30	1
12	05.264.12	SETSCREW M10x25	1
13	05.287.02	SELF-LOCKING NUT M10	2

GBOX/PTO/PUMPS TI B315
77.724.01 REV: A



GBOX/PTO/PUMPS TI B315

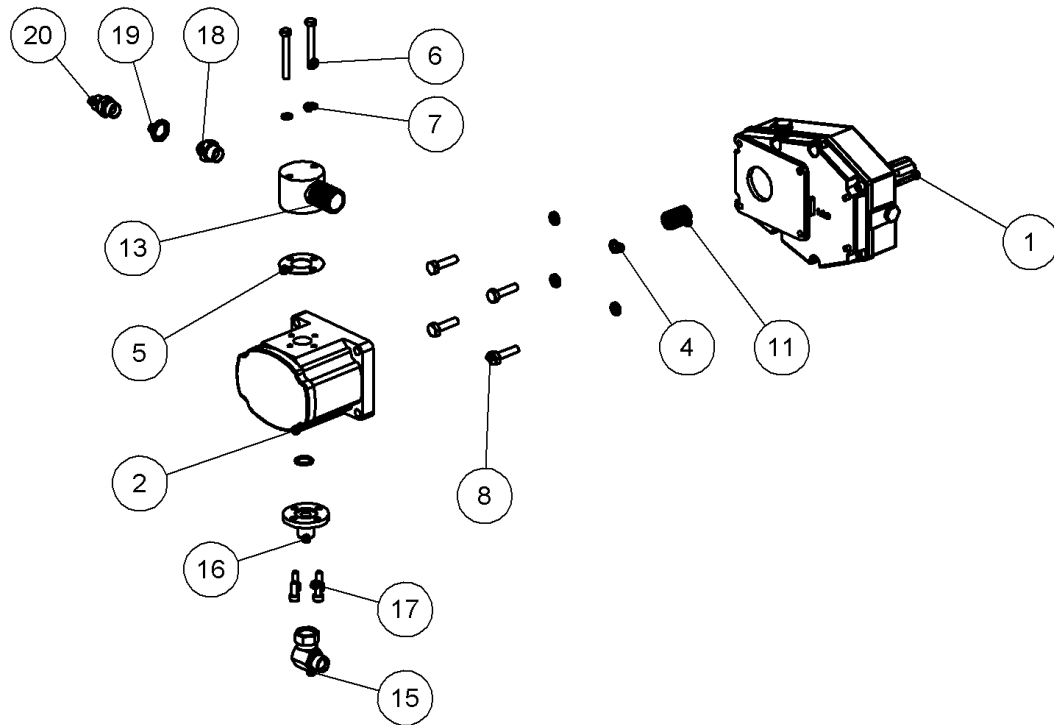
77.724.01 REV : A

GBOX/PTO/PUMPS TI B315 - 77.724.01

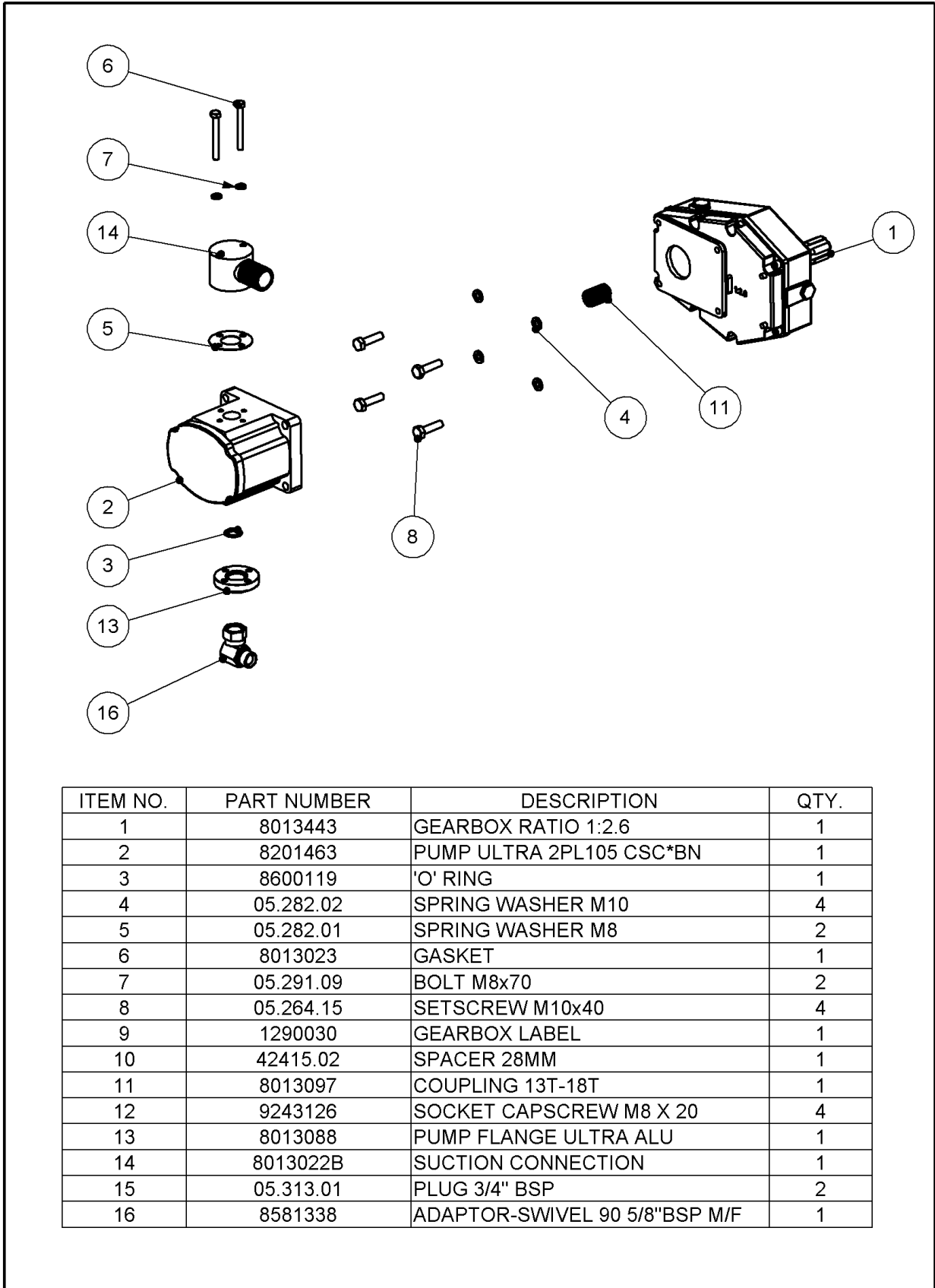
ITEM NO.	PART NUMBER	DESCRIPTION	QTY.
1	8013443	GEARBOX RATIO 1:2.6	1
2	8201466	TANDEM GEAR PUMP ALUM.	1
3	8600119	'O' RING	1
4	8013083	BRT.RND 65 - 35MM LG	1
5	8581338	ADAPTOR-SWIVEL 90 5/8"BSP M/F	1
6	05.264.11	SETSCREW M10x20	4
7	05.264.15	SETSCREW M10x40	4
8	05.282.02	SPRING WASHER M10	8
9	05.282.01	SPRING WASHER M8	2
10	8013023	GASKET	1
11	8013082	SUCTION CONNECTION PA91	1
12	05.291.09	BOLT M8x70	2
13	05.291.06	BOLT M8x55	4
14	8002059	RETURN CONNECTION	1
15	05.290.05	BONDED SEAL 1/2" BSP	5
16	8581173	5/8" SWEPT 90 L.P	1
17	8501099	5/8" RUBBER HOSE	1
18	05.123.01	ADAPTOR 3/8"BSPx1/2"BSP	2
19	0904204	HOSE CLIP - SIZE 25	2
20	1290030	GEARBOX LABEL	1
21	05.287.01	SELF-LOCKING NUT M8	4
22	42415.02	SPACER 28MM	1
23	8013097	COUPLING 13T-18T	1
24	05.433.19	PLUG - 5/8" BSP	2
25	G3812120	ADAPTOR 1/2x5/8"BSP MM	1
26	8581110	ADAPTOR 1/2in BSP x 1/2in BSP	1
27	05.286.17	NUT M10	2
28	9300147	CAPSCREW M8x20	4
29	8013021	STUB 1.1/4" LP	1
30	06.418.03	CLAMP PLATE 60x30	4
31	06.430.09	DOUBLE HOSE CLAMP	4
32	0904107	HOSE CLIP 40-55MM	4

GBOX/PTO/PUMPS SI B315

77.724.02 REV : A

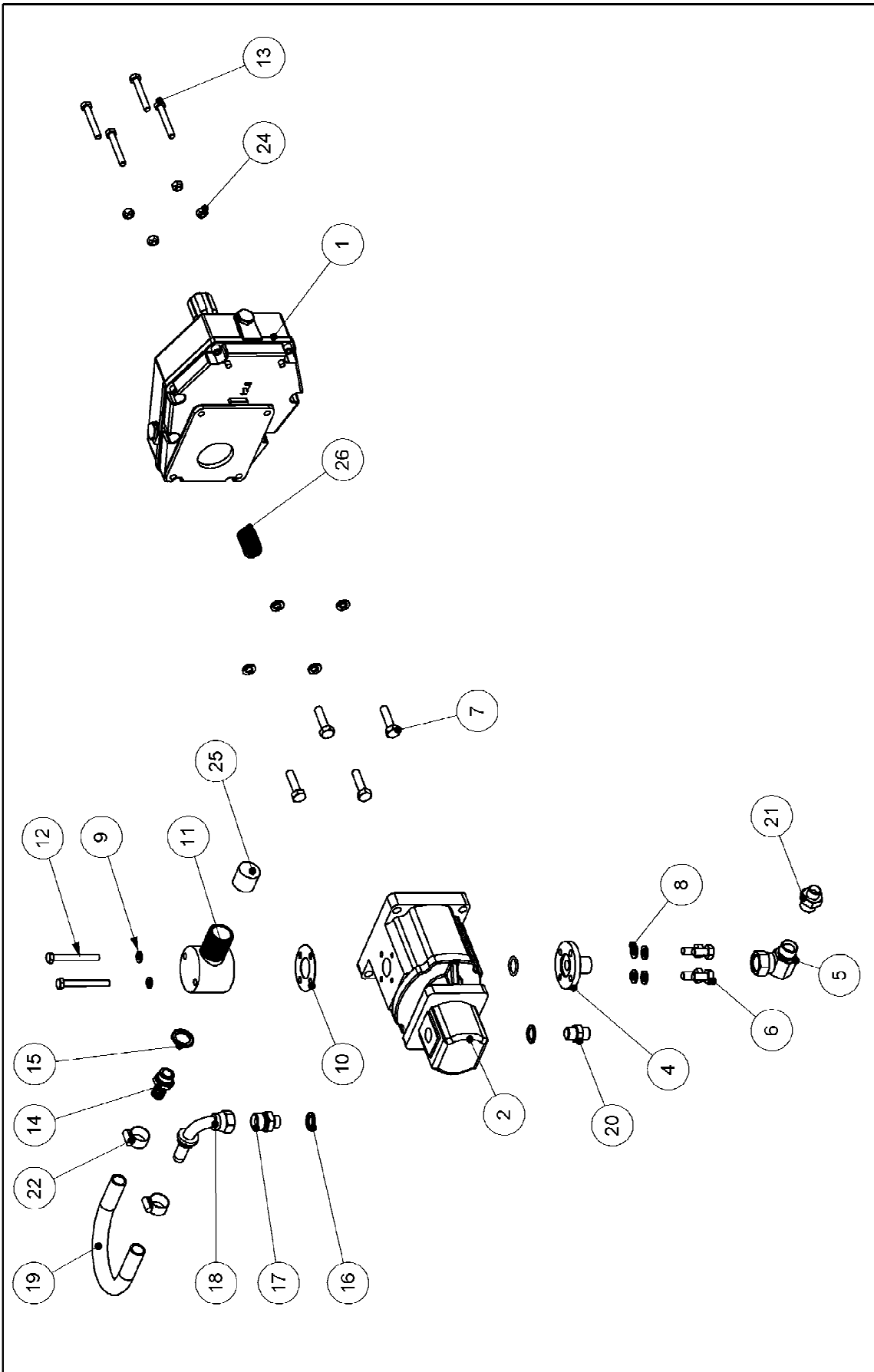


ITEM NO.	PART NUMBER	DESCRIPTION	QTY.
1	8013443	GEARBOX RATIO 1:2.6	1
2	8201463	PUMP ULTRA 2PL105 CSC*BN	1
3	8600119	'O' RING	1
4	05.282.02	SPRING WASHER M10	8
5	05.282.01	SPRING WASHER M8	2
6	8013023	GASKET	1
7	05.291.09	BOLT M8x70	2
8	05.264.15	SETSCREW M10x40	4
9	1290030	GEARBOX LABEL	1
10	42415.02	SPACER 28MM	1
11	8013097	COUPLING 13T-18T	1
12	8013022B	SUCTION CONNECTION	1
13	8581338	ADAPTOR-SWIVEL 90 5/8"BSP M/F	1
14	05.264.11	SETSCREW M10x20	4
15	05.433.19	PLUG - 5/8" BSP	2
16	8013083	BRT.RND 65 - 35MM LG	1
17	9300147	CAPSCREW M8x20	4
18	05.123.01	ADAPTOR 3/8"BSPx1/2"BSP	2
19	05.290.05	BONDED SEAL 1/2" BSP	4
20	8581110	ADAPTOR 1/2in BSP x 1/2in BSP	1
21	8581318	5/8"BSP ADAPTOR MM UNION	2



ITEM NO.	PART NUMBER	DESCRIPTION	QTY.
1	8013443	GEARBOX RATIO 1:2.6	1
2	8201463	PUMP ULTRA 2PL105 CSC*BN	1
3	8600119	'O' RING	1
4	05.282.02	SPRING WASHER M10	4
5	05.282.01	SPRING WASHER M8	2
6	8013023	GASKET	1
7	05.291.09	BOLT M8x70	2
8	05.264.15	SETSCREW M10x40	4
9	1290030	GEARBOX LABEL	1
10	42415.02	SPACER 28MM	1
11	8013097	COUPLING 13T-18T	1
12	9243126	SOCKET CAPSCREW M8 X 20	4
13	8013088	PUMP FLANGE ULTRA ALU	1
14	8013022B	SUCTION CONNECTION	1
15	05.313.01	PLUG 3/4" BSP	2
16	8581338	ADAPTOR-SWIVEL 90 5/8" BSP M/F	1

GBOX/PUMPS RH TI B315 10861
77.724.04 REV: A



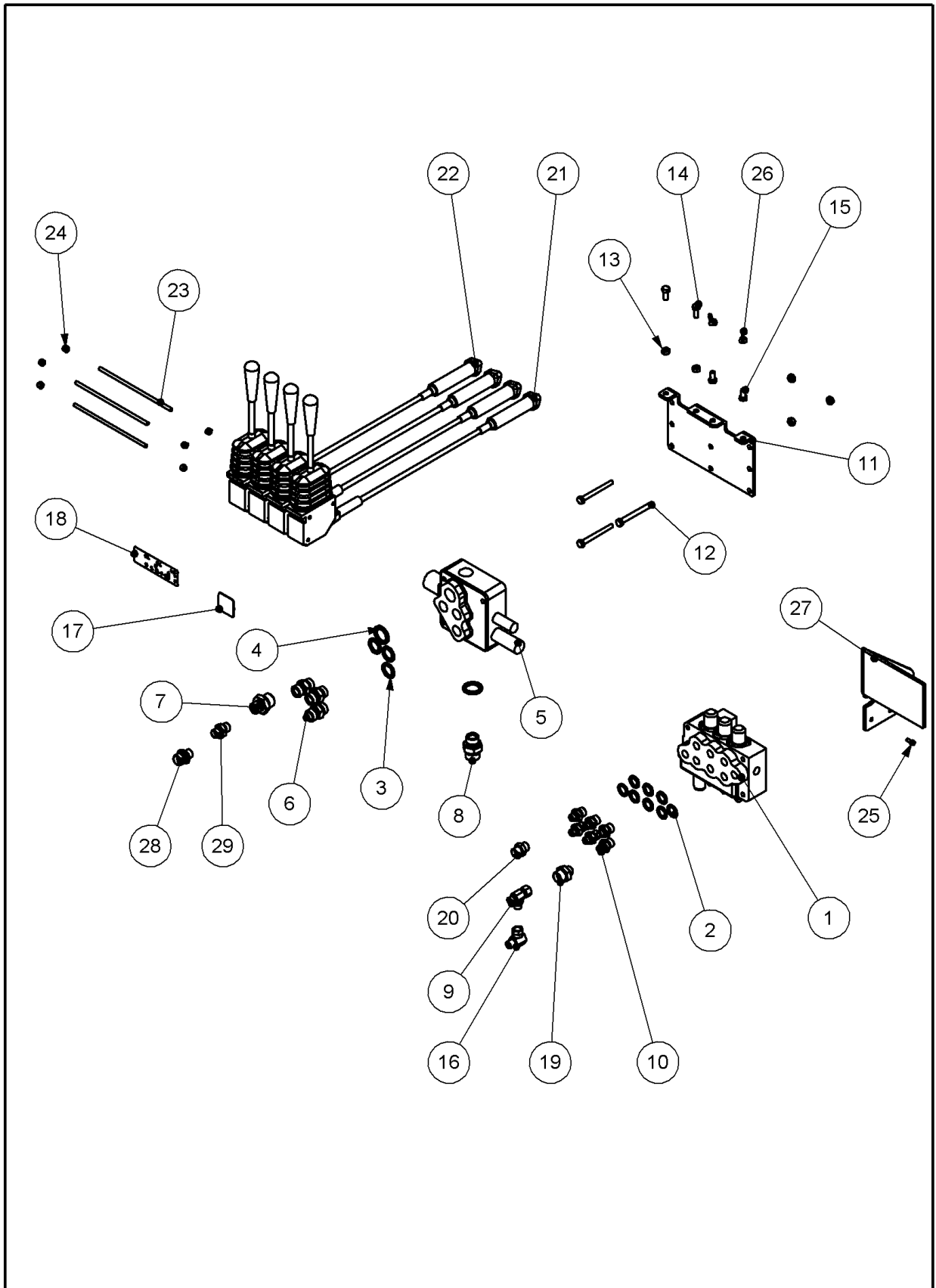
GBOX/PUMPS RH TI B315 10861

77.724.04 REV : A

GBOX/PUMPS RH TI B315 10861 - 77.724.04

ITEM NO.	PART NUMBER	DESCRIPTION	QTY.
1	8013443	GEARBOX RATIO 1:2.6	1
2	8201466	TANDEM GEAR PUMP ALUM.	1
3	8600119	'O' RING	1
4	8013083	BRT.RND 65 - 35MM LG	1
5	8581338	ADAPTOR-SWIVEL 90 5/8"BSP M/F	1
6	05.264.11	SETSCREW M10x20	4
7	05.264.15	SETSCREW M10x40	4
8	05.282.02	SPRING WASHER M10	8
9	05.282.01	SPRING WASHER M8	2
10	8013023	GASKET	1
11	8013082	SUCTION CONNECTION PA91	1
12	05.291.09	BOLT M8x70	2
13	05.291.06	BOLT M8x55	4
14	8002059	RETURN CONNECTION	1
15	05.290.05	BONDED SEAL 1/2" BSP	5
16	05.290.04	BONDED SEAL 3/8" BSP	2
17	8581175	ADAPTOR 3/8"x5/8"BSP MM	1
18	8581173	5/8" SWEPT 90 L.P	1
19	8501099	5/8" RUBBER HOSE	1
20	05.124.01	ADAPTOR 3/8"BSPx3/8"BSP	1
21	05.123.01	ADAPTOR 3/8"BSPx1/2"BSP	1
22	0904204	HOSE CLIP - SIZE 25	2
23	1290030	GEARBOX LABEL	1
24	05.287.01	SELF-LOCKING NUT M8	4
25	42415.02	SPACER 28MM	1
26	8013097	COUPLING 13T-18T	1
27	05.433.19	PLUG - 5/8" BSP	2
28	G3812120	ADAPTOR 1/2x5/8"BSP MM	1
29	8581110	ADAPTOR 1/2in BSP x 1/2in BSP	1
30	05.286.17	NUT M10	2
31	9243126	SOCKET CAPSCREW M8 X 20	4

VALVE/CBLES/ROTOR CTRL B315 TI
77.725.01 REV : A



VALVE/CBLES/ROTOR CTRL B315 TI

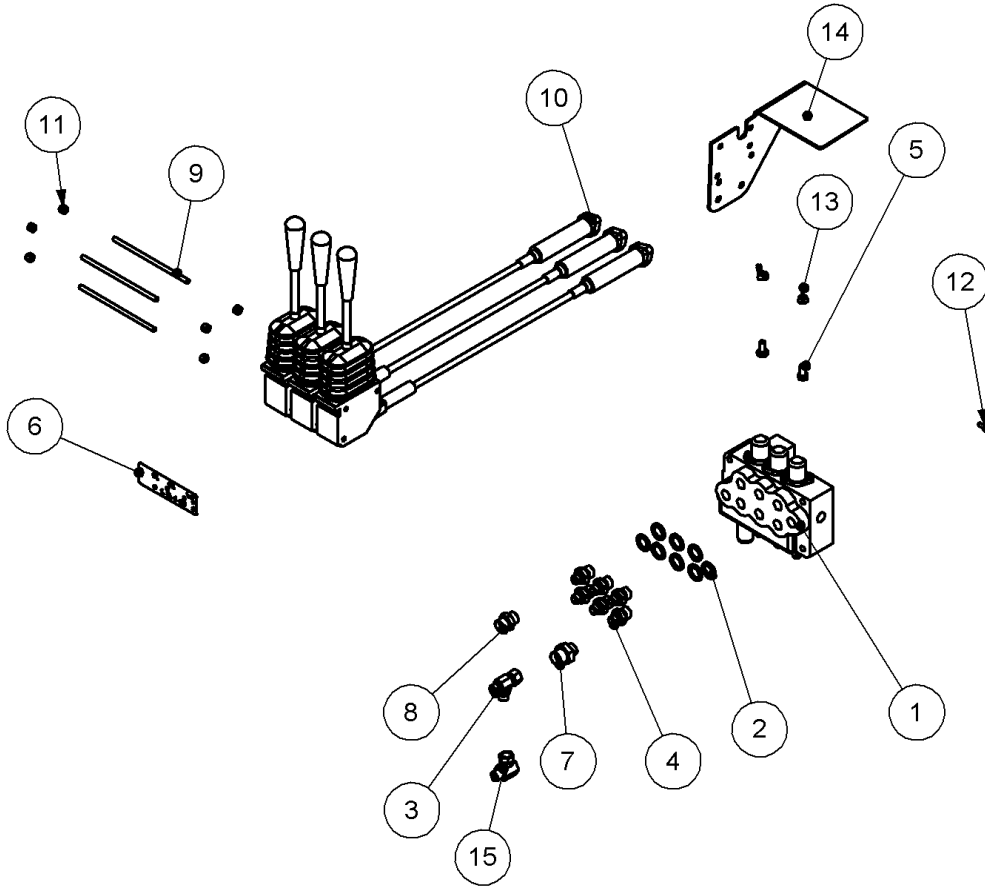
77.725.01 REV : A

VALVE/CBLES/ROTOR CTRL B315 TI - 77.725.01

ITEM NO.	PART NUMBER	DESCRIPTION	QTY.
1	8130324	VALVE 3 SPOOL 160BAR RELIEF	1
2	05.290.04	BONDED SEAL 3/8" BSP	8
3	05.290.05	BONDED SEAL 1/2" BSP	3
4	05.290.06	BONDED SEAL 3/4" BSP	2
5	8125343	VALVE SD11/1(Z3-207)/211	1
6	8581180	UNION 1/2" - 5/8" BSP	3
7	8581130	ADAPTOR 3/4 BSP x 1/2 BSP	1
8	8581270	3/4" X 5/8" BSP M-M ADAPTOR	1
9	8581254	ADAPTOR TEE 1/4" BSP MFM	1
10	8581115	ADAPTOR 1/4 X 3/8 BSP	6
11	41328.01	BRACKET	1
12	05.292.01	BOLT M8x80	3
13	05.287.01	SELF-LOCKING NUT M8	5
14	05.264.01	SETSCREW M8x20	2
15	05.839.03	SETSCREW M8X16	2
16	05.835.04	90 ADAPTOR M/F SWIVEL	1
17	1290338	DECAL ROTOR REVERSE	1
18	1290368	CONTROL STICKER	1
19	05.123.01	ADAPTOR 3/8"BSPx1/2"BSP	1
20	05.124.01	ADAPTOR 3/8"BSPx3/8"BSP	1
21	8017045	CONTROL HD AND CABLE	1
22	8017054	CONTROL HD/CABLE ASSY	3
23	04.282.70	STUD M6 X 191	3
24	9143003	M6 CLEVELOK NUT	6
25	9343022	M5 X 12 CAPSCREW	8
26	05.948.07	WING NUT M8	2
27	09.970.02	PLATE	1
28	6000112	ADAPTOR 3/8x1/2"BSP MM	1
29	6000113	ADAPTOR 3/8"BSP MM	1

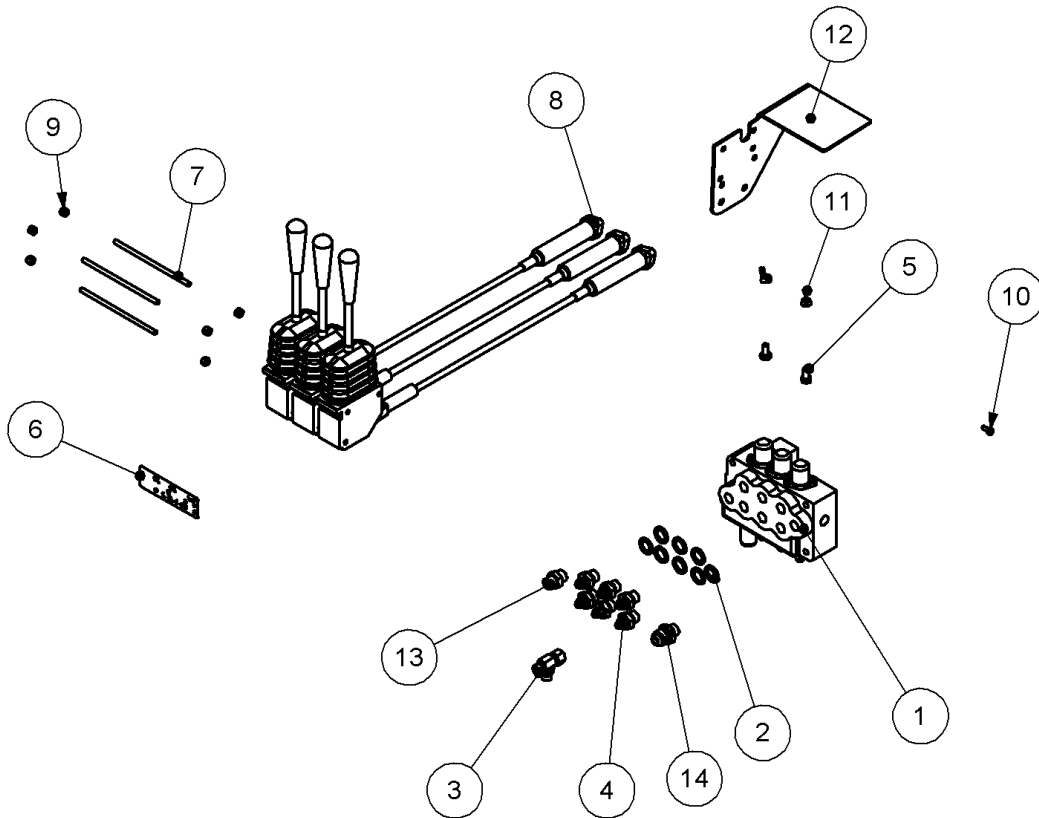
VALVE/CBLES/ROTOR CTRL B315 SI

77.725.02 REV : A

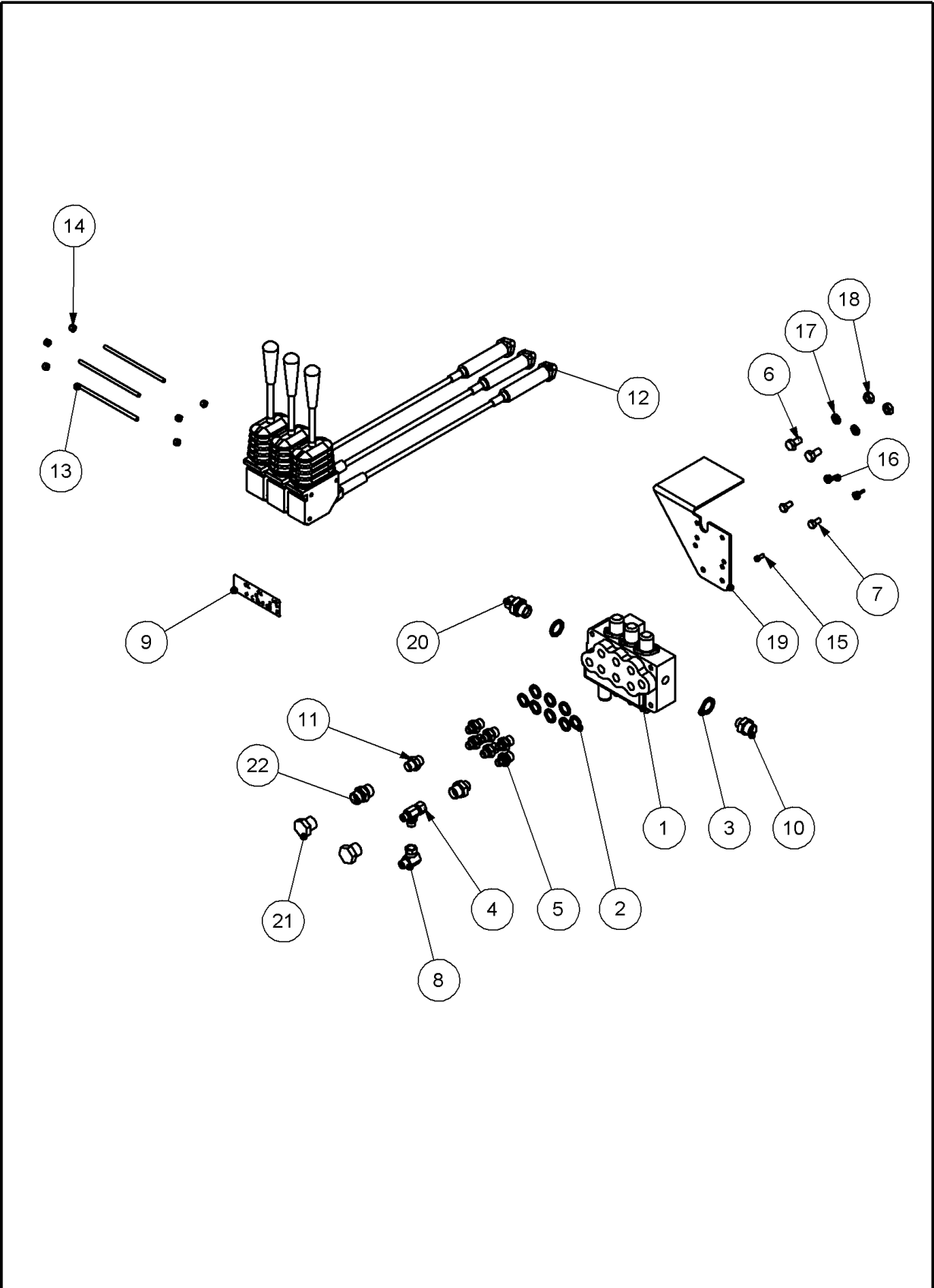


ITEM NO.	PART NUMBER	DESCRIPTION	QTY.
1	8130324	VALVE 3 SPOOL 160BAR RELIEF	1
2	05.290.04	BONDED SEAL 3/8" BSP	8
3	8581254	ADAPTOR TEE 1/4" BSP MFM	1
4	8581115	ADAPTOR 1/4 X 3/8 BSP	6
5	05.839.03	SETSCREW M8X16	2
6	1290368	CONTROL STICKER	1
7	05.123.01	ADAPTOR 3/8"BSPx1/2"BSP	1
8	05.124.01	ADAPTOR 3/8"BSPx3/8"BSP	1
9	04.282.73	STUD M6X149	3
10	8017054	CONTROL HD/CABLE ASSY	3
11	9143003	M6 CLEVELOK NUT	6
12	9343022	M5 X 12 CAPSCREW	6
13	05.948.07	WING NUT M8	2
14	41.181.02	BRACKET - 3 LVR MTG RH	1
15	05.835.04	90 ADAPTOR M/F SWIVEL	1

VALVE/CTRLS SI RH JIC 10861
77.725.04 REV : A



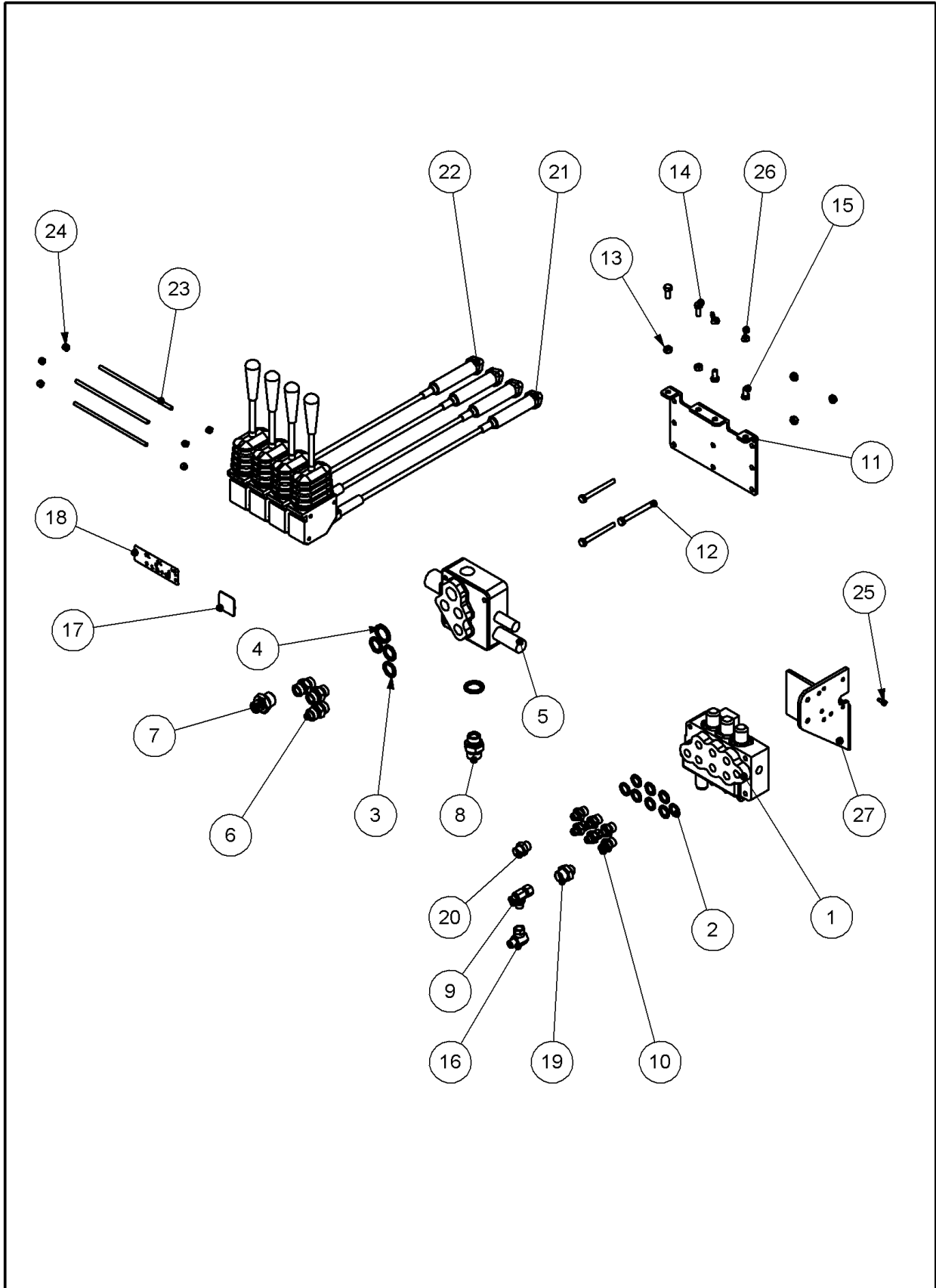
ITEM NO.	PART NUMBER	DESCRIPTION	QTY.
1	8130324	VALVE 3 SPOOL 160BAR RELIEF	1
2	05.290.04	BONDED SEAL 3/8" BSP	8
3	04.056.31	ADAPTOR TEE 9/16" JIC FMM	1
4	08.955.06	ADAPTOR 3/8"BSP X 9/16"-18 JIC	6
5	05.839.03	SETSCREW M8X16	2
6	1290368	CONTROL STICKER	1
7	04.282.73	STUD M6X149	3
8	8017054	CONTROL HD/CABLE ASSY	3
9	9143003	M6 CLEVELOK NUT	6
10	9343022	M5 X 12 CAPSCREW	6
11	05.948.07	WING NUT M8	2
12	41.181.02	BRACKET - 3 LVR MTG RH	1
13	08.955.07	ADAPTOR 3/8"BSPx3/4"-16JIC	1
14	8581222	ADAPTER 3/8"BSPX7/8"JIC	1



VALVE/CTRLS B315 SI FM 10861
77.725.03 REV : A

VALVE/CTRLS B315 SI FM 10861 - 77.725.03

ITEM NO.	PART NUMBER	DESCRIPTION	QTY.
1	8130324	VALVE 3 SPOOL 160BAR RELIEF	1
2	05.290.04	BONDED SEAL 3/8" BSP	8
3	05.290.05	BONDED SEAL 1/2" BSP	2
4	8581254	ADAPTOR TEE 1/4" BSP MFM	1
5	8581115	ADAPTOR 1/4 X 3/8 BSP	6
6	05.264.11	SETSCREW M10x20	4
7	05.839.03	SETSCREW M8X16	2
8	05.835.04	90 ADAPTOR M/F SWIVEL	1
9	1290368	CONTROL STICKER	1
10	05.123.01	ADAPTOR 3/8"BSPx1/2"BSP	2
11	05.124.01	ADAPTOR 3/8"BSPx3/8"BSP	1
12	8017037	CONTROL HEAD & CABLE 3.2 MTR	3
13	04.282.73	STUD M6X149	3
14	9143003	M6 CLEVELOK NUT	6
15	9343022	M5 X 12 CAPSCREW	8
16	05.948.07	WING NUT M8	2
17	05.282.02	SPRING WASHER M10	4
18	05.286.17	NUT M10	2
19	41.181.02	BRACKET - 3 LVR MTG RH	1
20	8581318	5/8"BSP ADAPTOR MM UNION	2
21	05.433.19	PLUG - 5/8" BSP	2
22	8581110	ADAPTOR 1/2in BSP x 1/2in BSP	1



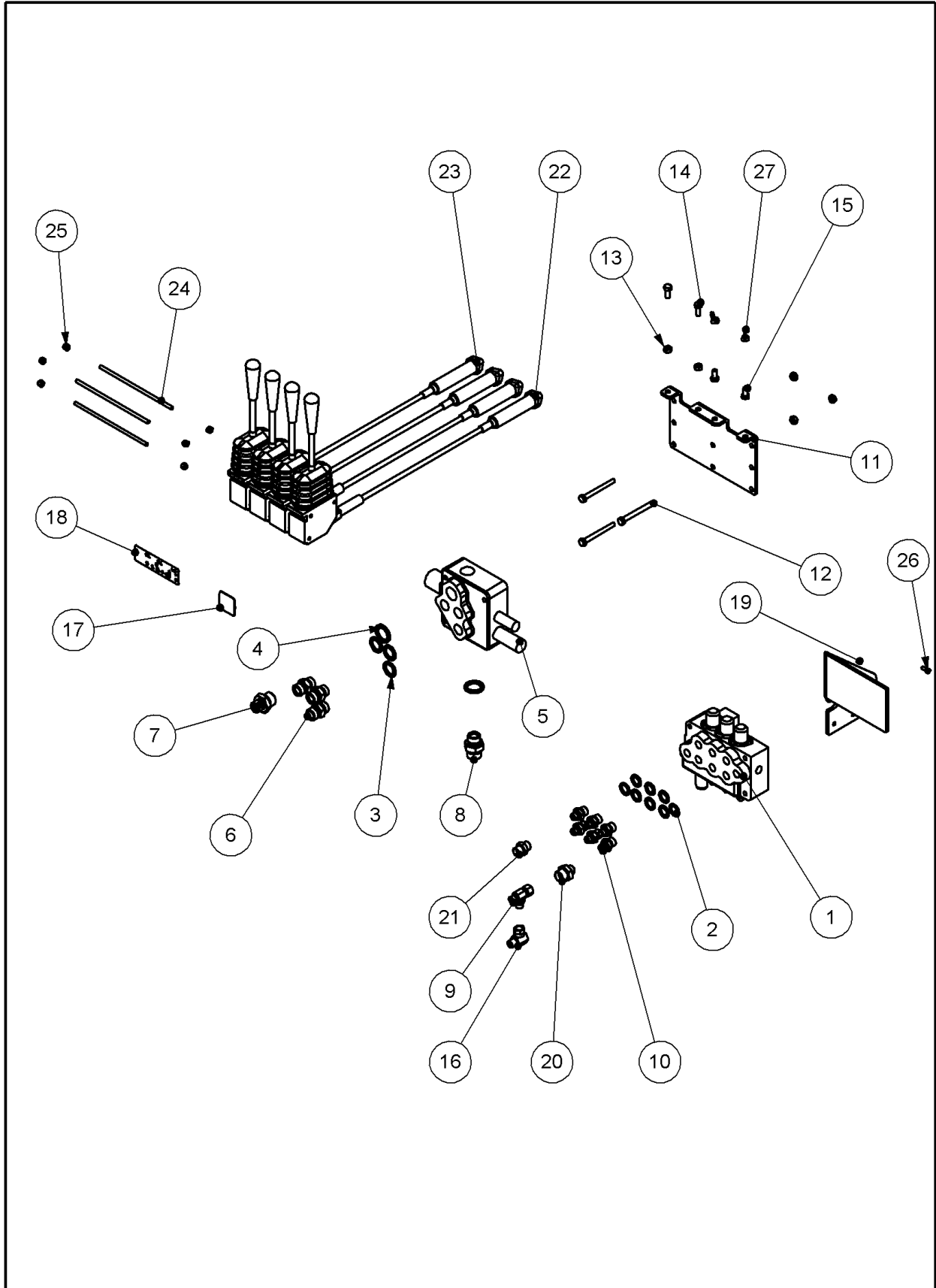
VALVE/CTRL B315 TI LH 10861

77.725.06 REV : A

VALVE/CABLES B315 TI LH 10861 - 77.725.06

ITEM NO.	PART NUMBER	DESCRIPTION	QTY.
1	8130324	VALVE 3 SPOOL 160BAR RELIEF	1
2	05.290.04	BONDED SEAL 3/8" BSP	8
3	05.290.05	BONDED SEAL 1/2" BSP	3
4	05.290.06	BONDED SEAL 3/4" BSP	2
5	8125343	VALVE SD11/1(Z3-207)/211	1
6	8581180	UNION 1/2" - 5/8" BSP	3
7	8581130	ADAPTOR 3/4 BSP x 1/2 BSP	1
8	8581270	3/4" X 5/8" BSP M-M ADAPTOR	1
9	8581254	ADAPTOR TEE 1/4" BSP MFM	1
10	8581115	ADAPTOR 1/4 X 3/8 BSP	6
11	41328.01	BRACKET	1
12	05.292.01	BOLT M8x80	3
13	05.287.01	SELF-LOCKING NUT M8	5
14	05.264.01	SETSCREW M8x20	2
15	05.839.03	SETSCREW M8X16	2
16	05.835.04	90 ADAPTOR M/F SWIVEL	1
17	1290338	DECAL ROTOR REVERSE	1
18	1290368	CONTROL STICKER	1
19	05.123.01	ADAPTOR 3/8"BSPx1/2"BSP	1
20	05.124.01	ADAPTOR 3/8"BSPx3/8"BSP	1
21	8017045	CONTROL HD AND CABLE	1
22	8017054	CONTROL HD/CABLE ASSY	3
23	04.282.70	STUD M6 X 191	3
24	9143003	M6 CLEVELOK NUT	6
25	9343022	M5 X 12 CAPSCREW	8
26	05.948.07	WING NUT M8	2
27	09.970.01	PLATE	1

VALVE/CABLES B315 TI RH 10861
77.725.07 REV : A



VALVE/CABLES B315 TI RH 10861

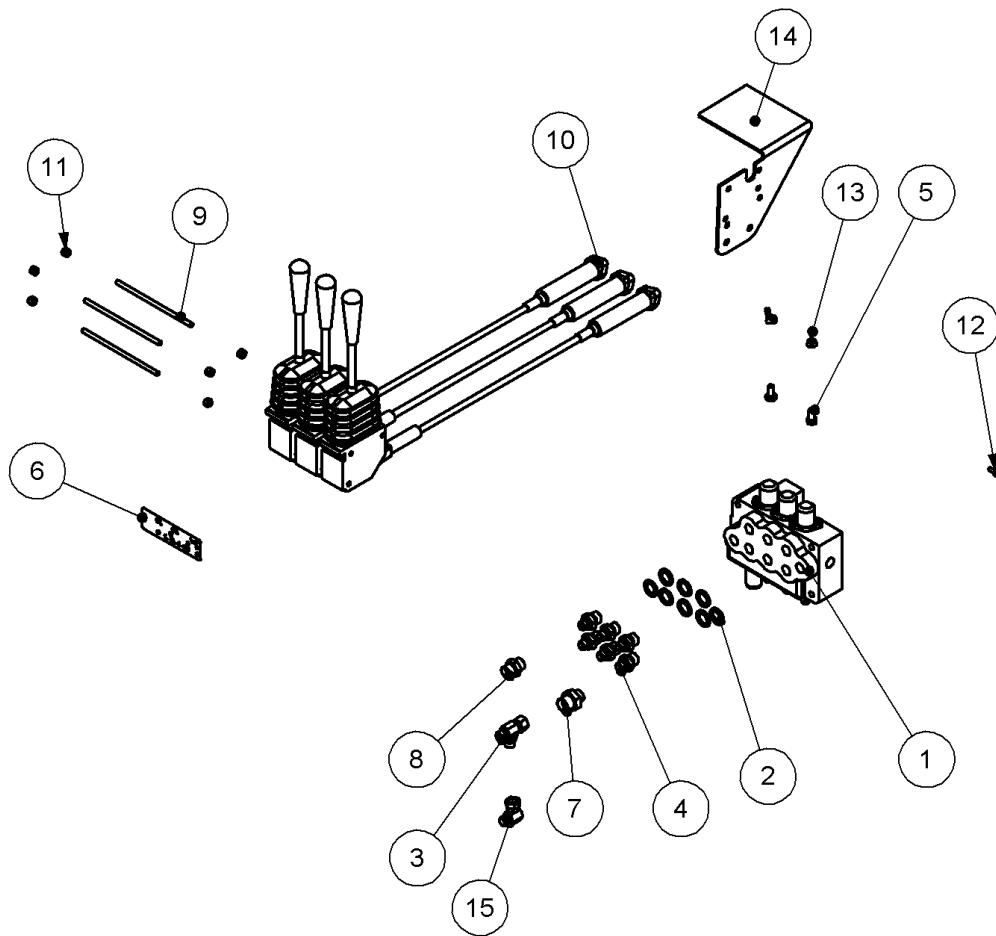
77.725.07 REV : A

VALVE/CABLES B315 TI RH 10861 - 77.725.07

ITEM NO.	PART NUMBER	DESCRIPTION	QTY.
1	8130324	VALVE 3 SPOOL 160BAR RELIEF	1
2	05.290.04	BONDED SEAL 3/8" BSP	8
3	05.290.05	BONDED SEAL 1/2" BSP	3
4	05.290.06	BONDED SEAL 3/4" BSP	2
5	8125343	VALVE SD11/1(Z3-207)/211	1
6	8581180	UNION 1/2" - 5/8" BSP	3
7	8581130	ADAPTOR 3/4 BSP x 1/2 BSP	1
8	8581270	3/4" X 5/8" BSP M-M ADAPTOR	1
9	8581254	ADAPTOR TEE 1/4" BSP MFM	1
10	8581115	ADAPTOR 1/4 X 3/8 BSP	6
11	41328.01	BRACKET	1
12	05.292.01	BOLT M8x80	3
13	05.287.01	SELF-LOCKING NUT M8	5
14	05.264.01	SETSCREW M8x20	2
15	05.839.03	SETSCREW M8X16	2
16	05.835.04	90 ADAPTOR M/F SWIVEL	1
17	1290338	DECAL ROTOR REVERSE	1
18	1290368	CONTROL STICKER	1
19	09.970.02	PLATE	1
20	05.123.01	ADAPTOR 3/8"BSPx1/2"BSP	1
21	05.124.01	ADAPTOR 3/8"BSPx3/8"BSP	1
22	8017045	CONTROL HD AND CABLE	1
23	8017054	CONTROL HD/CABLE ASSY	3
24	04.282.70	STUD M6 X 191	3
25	9143003	M6 CLEVELOK NUT	6
26	9343022	M5 X 12 CAPSCREW	8
27	05.948.07	WING NUT M8	2

VALVE/CTRL B315 SI LH 10861

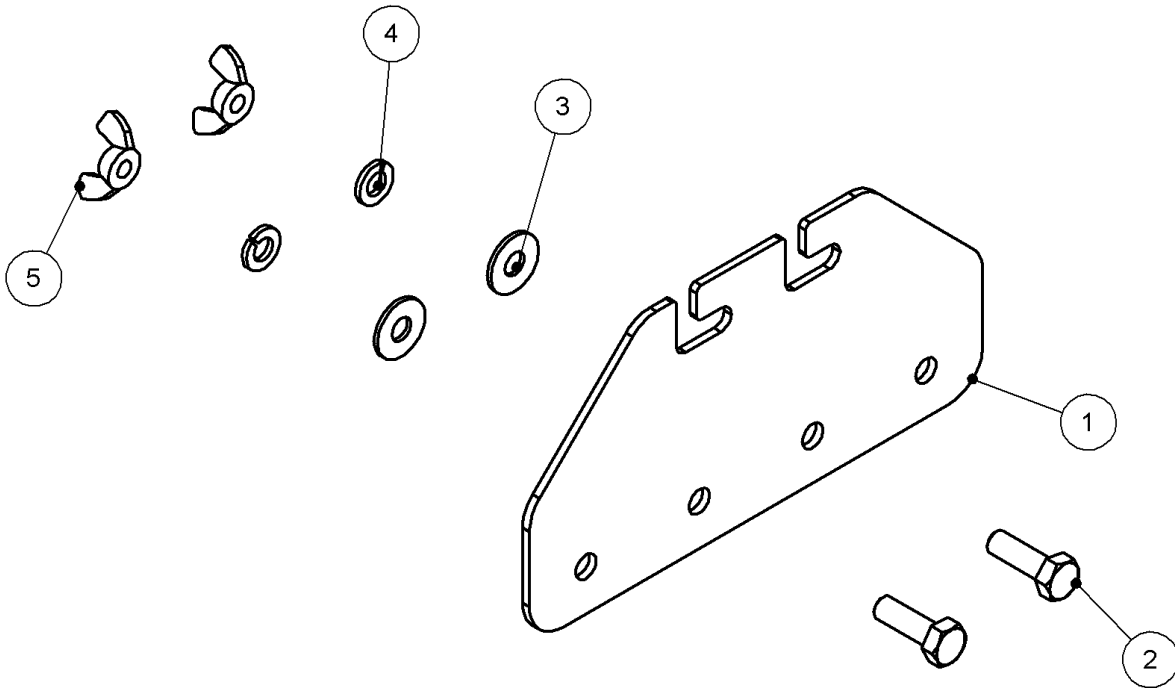
77.725.05 REV : A



ITEM NO.	PART NUMBER	DESCRIPTION	QTY.
1	8130324	VALVE 3 SPOOL 160BAR RELIEF	1
2	05.290.04	BONDED SEAL 3/8" BSP	8
3	8581254	ADAPTOR TEE 1/4" BSP MFM	1
4	8581115	ADAPTOR 1/4 X 3/8 BSP	6
5	05.839.03	SETSCREW M8X16	2
6	1290368	CONTROL STICKER	1
7	05.123.01	ADAPTOR 3/8"BSPx1/2"BSP	1
8	05.124.01	ADAPTOR 3/8"BSPx3/8"BSP	1
9	04.282.73	STUD M6X149	3
10	8017054	CONTROL HD/CABLE ASSY	3
11	9143003	M6 CLEVELOK NUT	6
12	9343022	M5 X 12 CAPSCREW	6
13	05.948.07	WING NUT M8	2
14	41.181.01	BRKT - 3 LVR MTG LH	1
15	8581190	ADAP ELBOW 90 1/4"BSP MF	1

CAB CONTROL KIT

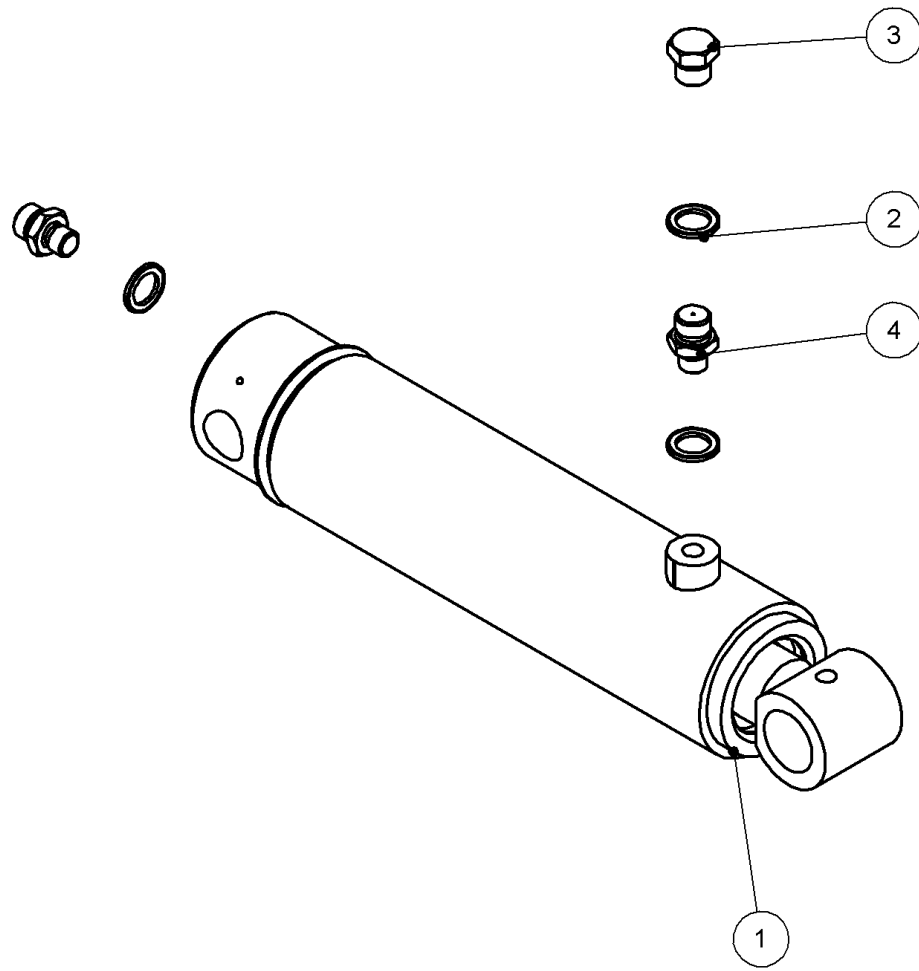
77.731.01 REV : A



ITEM NO.	PART NUMBER	DESCRIPTION	QTY.
1	42491.01	42491.01	1
2	05.264.02	SETSCREW M8x25	2
3	05.281.01	FLAT WASHER M8	2
4	05.282.01	SPRING WASHER M8	2
5	05.948.07	WING NUT M8	2

1ST ARM RAM ASSY RH

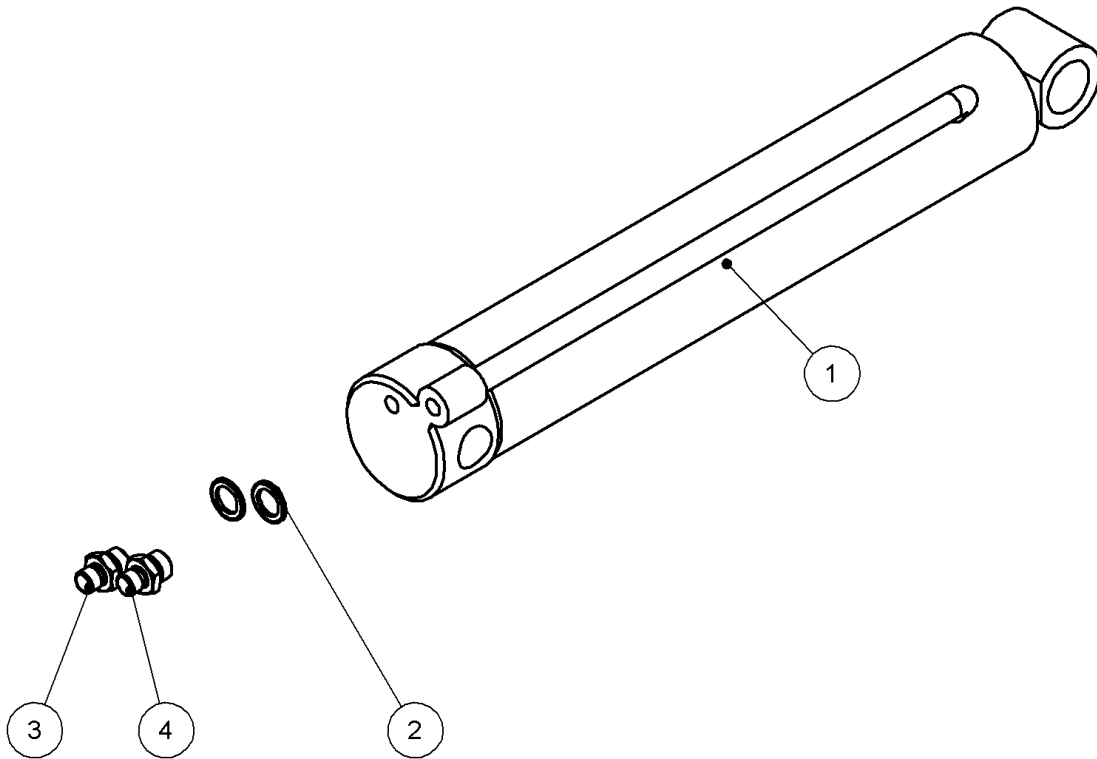
77.726.02 REV : A



ITEM NO.	PART NUMBER	DESCRIPTION	QTY.
1	46002.09	LIFT RAM B315	1
2	05.290.04	BONDED SEAL 3/8" BSP	3
3	8003001	ADAPTOR PLUG 3/8"BSP	1
4	8130048	RESTRICTOR 1/4" x 3/8" BSP 1.3 C	2

2ND ARM RAM ASSY RH

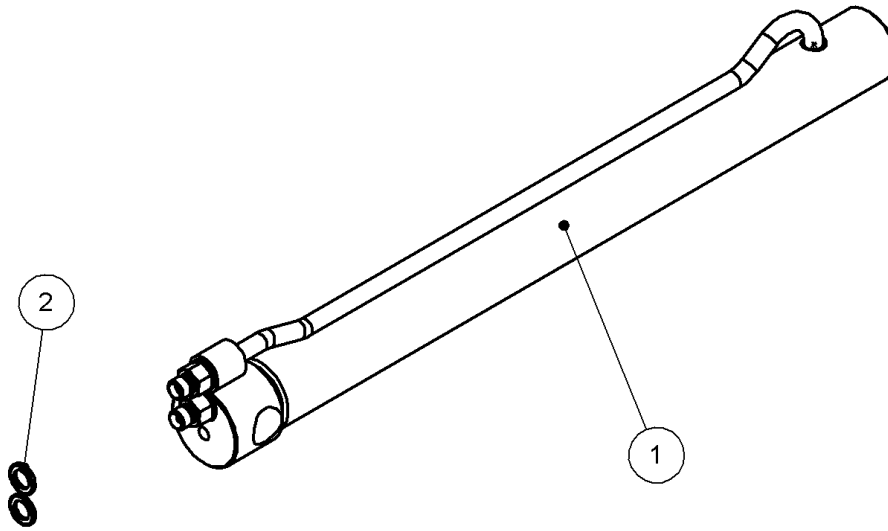
77.728.02 REV : A



ITEM NO.	PART NUMBER	DESCRIPTION	QTY.
1	46002.08	RAM ASSY	1
2	05.290.04	BONDED SEAL 3/8" BSP	2
3	8130046	RESTRICTOR 1/4" x 3/8" BSP 1.5 A	1
4	8130066	RESTRICTOR 1/4" x 3/8" BSP 1.15 M	1

COWL RAM ASSY RH B315 10861

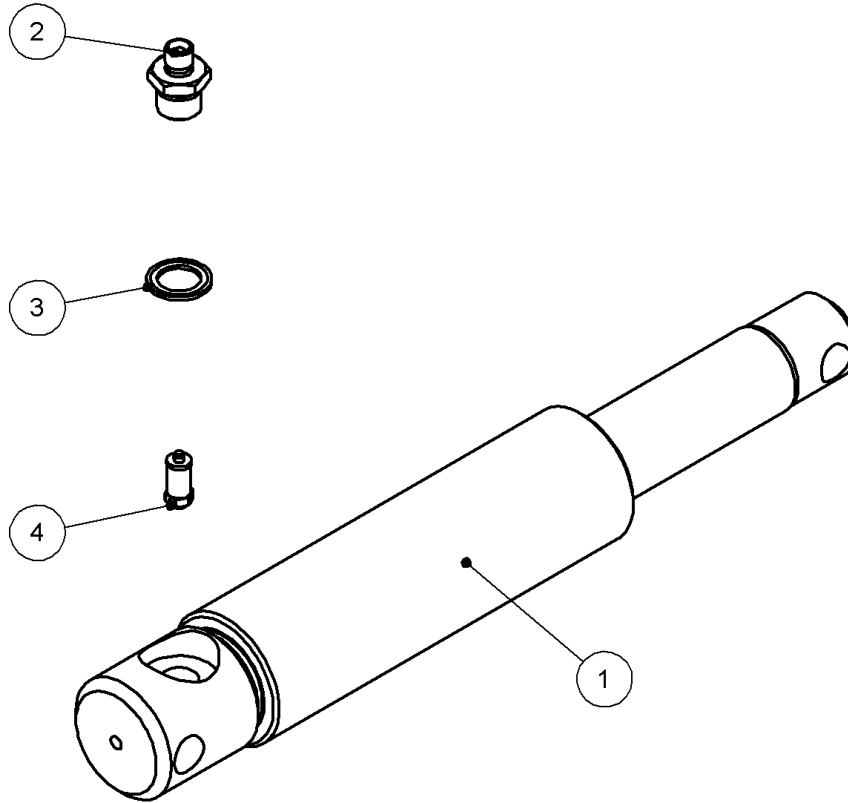
77.727.02 REV : A



ITEM NO.	PART NUMBER	DESCRIPTION	QTY.
1	7191072	ANGLING RAM FINAL ASSY.BSP	1
2	05.290.02	BONDED SEAL 1/4" BSP	2

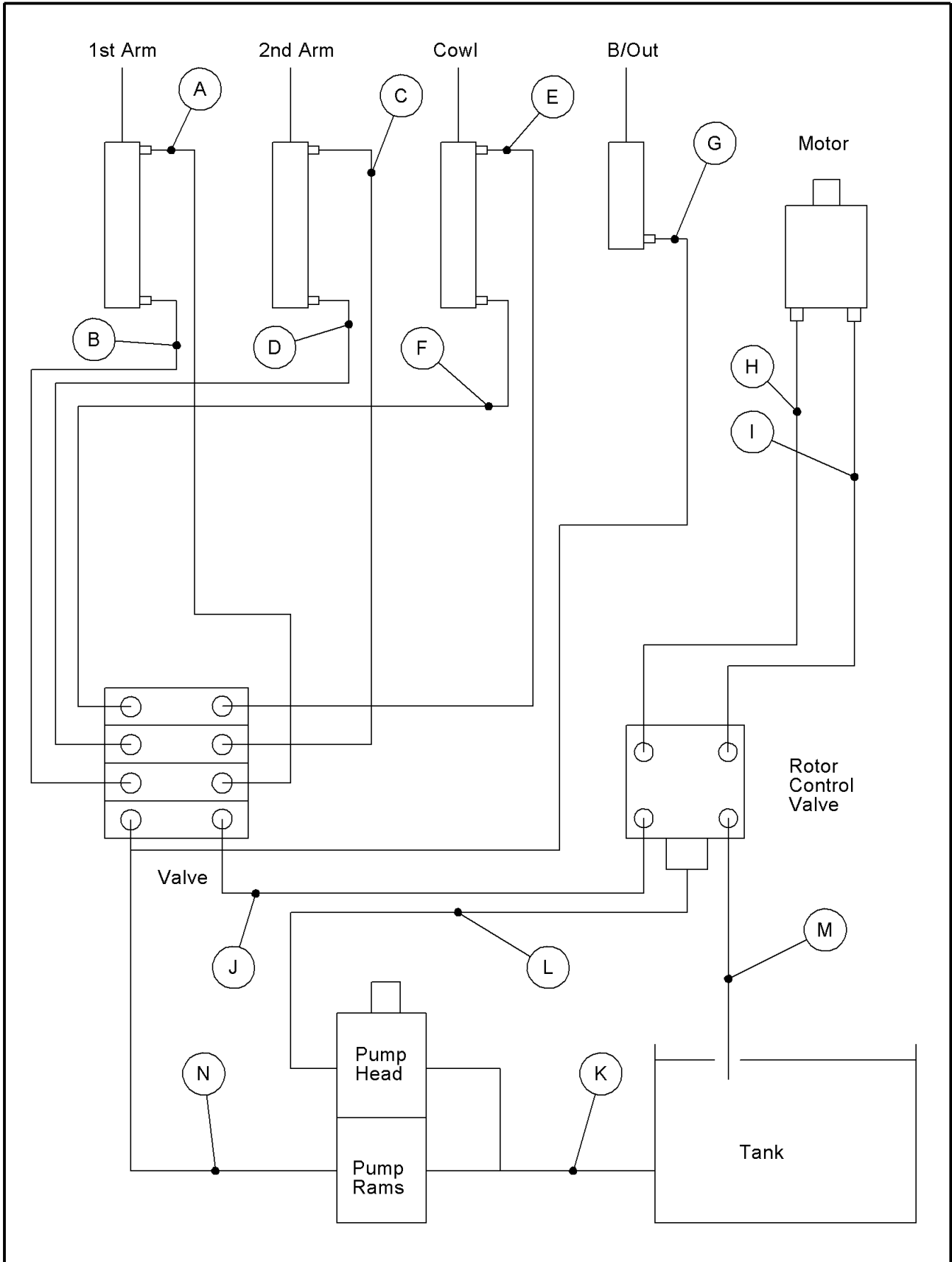
BREAKOUT RAM ASY B315 RH 10861

77.729.02 REV : A



ITEM NO.	PART NUMBER	DESCRIPTION	QTY.
1	41322.02	B/WAY RAM ASSY	1
2	8130083	ADAPTOR RELIEF BODY	1
3	05.290.05	BONDED SEAL 1/2" BSP	1
4	8130189	RELIEF VALVE 40BAR	1

HOSE LAYOUT

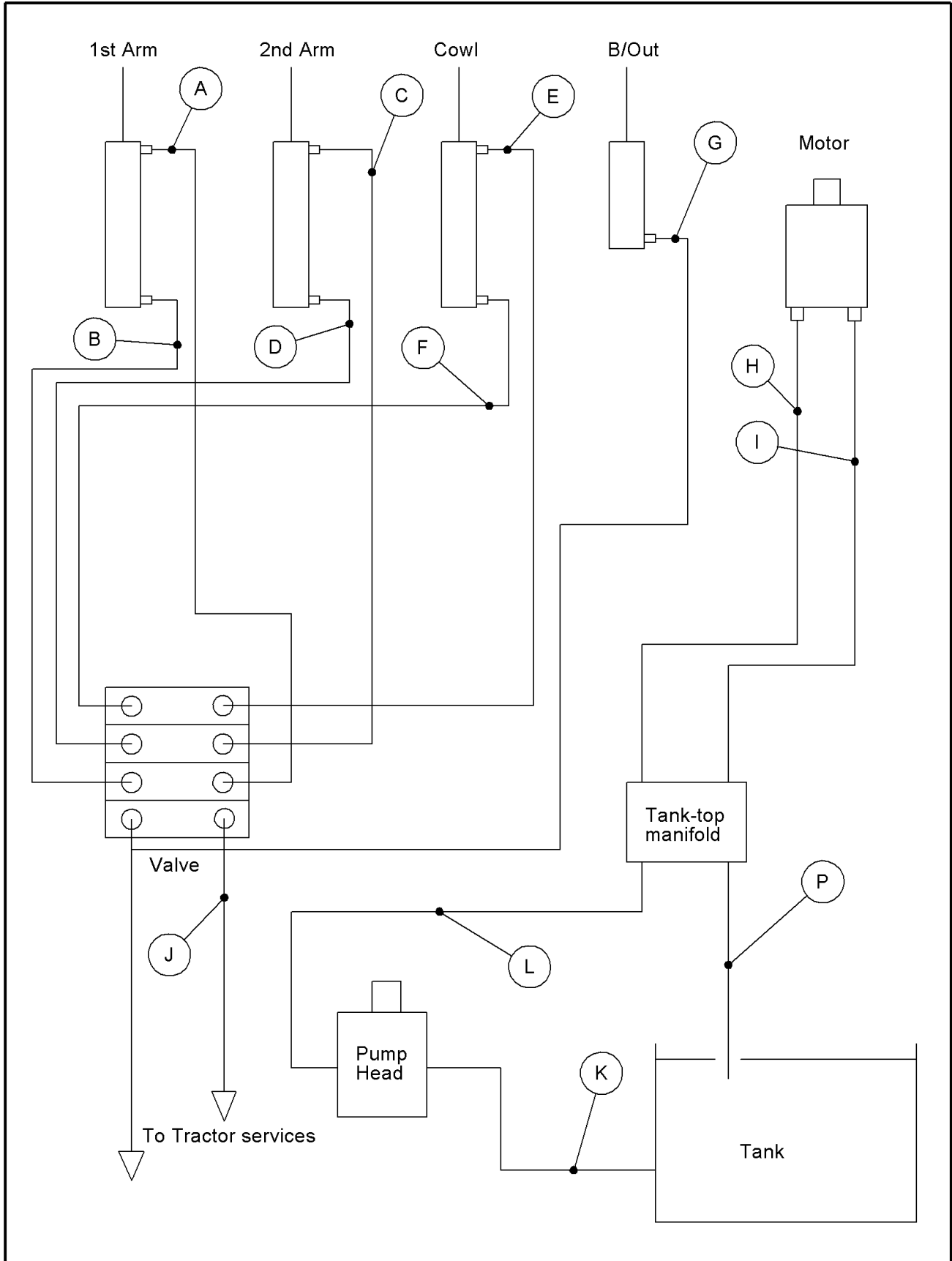


HOSE LAYOUT

77.735.01 - HOSE SERV KIT RH TI - 41320.09 REV C

REF	PART NO.	DESCRIPTION	QTY
A	10.031.20	1/4"BSP FS/90 1000MM LG HOSE	1
B	10.031.17	1/4"BSP FS/F90 850MM LG HOSE	1
C	8515132	1/4"BSP FS/FS 64" LG HOSE	1
D	8515132	1/4"BSP FS/FS 64" LG HOSE	1
E	10.001.33	HOSE 1/4"BSP STXST S.SEAL 2300	1
F	10.001.33	HOSE 1/4"BSP STXST S.SEAL 2300	1
G	10.001.33	HOSE 1/4"BSP STXST S.SEAL 2300	1
H	8501249	HOSE 5/8BSP F/H F/H 140LG	1
I	8501249	HOSE 5/8BSP F/H F/H 140LG	1
J	8533144	1/2"BSP R2A F/S-F/90DEG 22"LG	1
K	8501307	1.1/4" BORE SAE R4 RUB HOSE	1
L	10.008.22	5/8"BSP FS/F90 600 LG HOSE	1
M	10.008.12	5/8"BSP FS/F90 600 LG HOSE	1
N	10.004.25	HOSE 3/8"BSP STX90 S.SEAL 1500	1
	05.123.01	ADAPTOR 1/2" BSP X 3/8" BSP	1
	06.418.03	CLAMP PLATE	4
	06.430.09	2 OFF CLAMP HOSE 25 X 25	4
	0904107	HOSE CLIP 40-55MM	4

HOSE LAYOUT

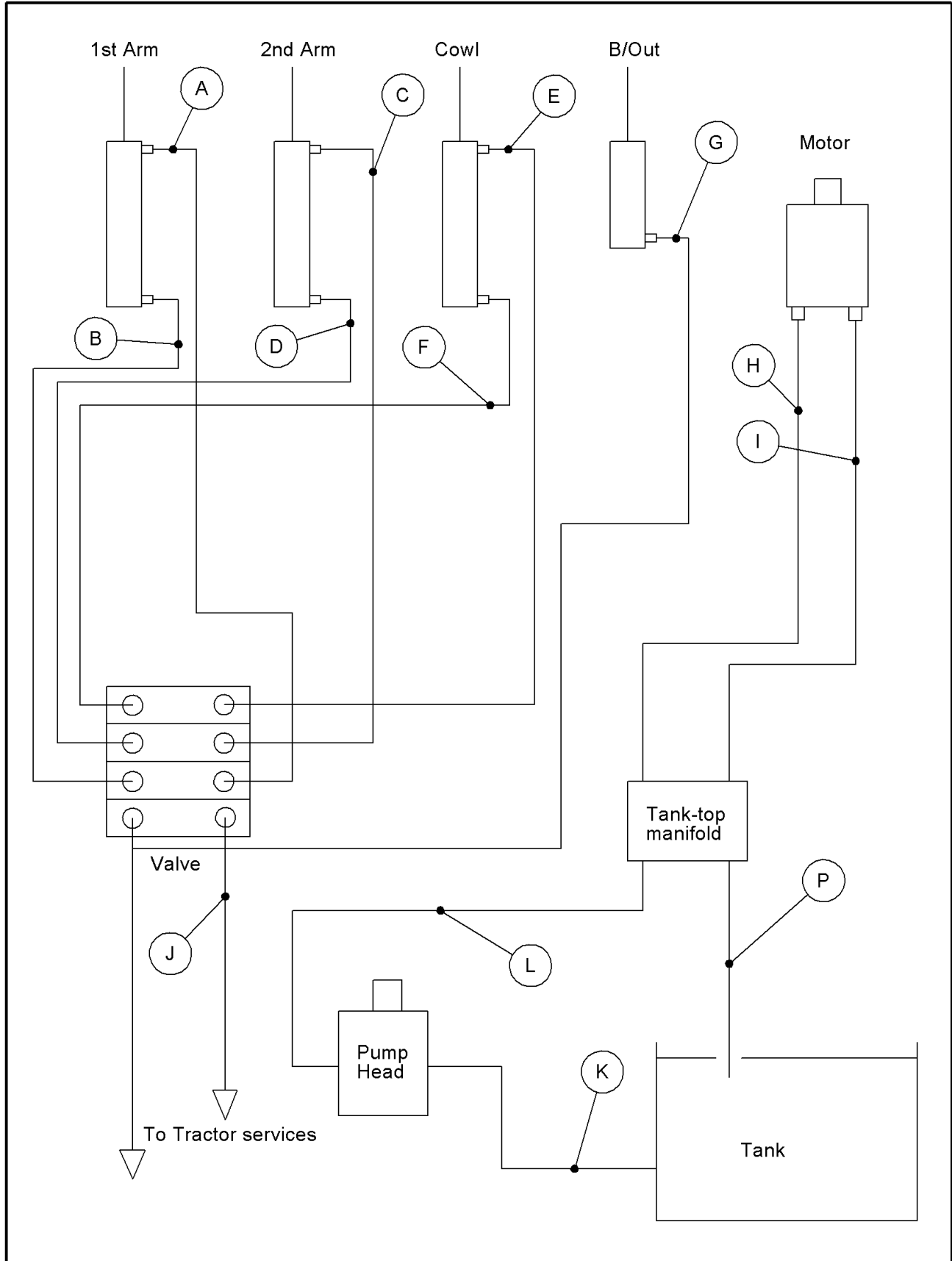


HOSE LAYOUT

77.735.02 - HOSE SERV KIT SI B315 - 41320.01 REV A

REF	PART NO.	DESCRIPTION	QTY
A	8535042	1/4"BSP FS/F90 40" LG HOSE	1
B	8535082	1/4" BSP ST-F - 90 DEG - F	1
C	8515132	1/4"BSP FS/FS 64" LG HOSE	1
D	8515132	1/4"BSP FS/FS 64" LG HOSE	1
E	8515232	1/4"BSP FS/FS 88" LG HOSE	1
F	8515232	1/4"BSP FS/FS 88" LG HOSE	1
G	8515232	1/4"BSP FS/FS 88" LG HOSE	1
H	8501249	HOSE 5/8BSP F/H F/H 140LG	1
I	8501249	HOSE 5/8BSP F/H F/H 140LG	1
J	8531323	3/8" BSP ST-F 90 DEG F	1
K	8501139	1.1/4"BORE SAE R4 RUB HOSE 23"	1
L	8501250	5/8"BSP F/S-F/135 SWEPT 52"LG	1
P	8532014	1/2" BSP ST-F 90 DEG F	1
	05.287.01	SELF-LOCKING NUT M8 PLATED	4
	05.291.06	BOLT M8 X 55MM PLATED	4
	06.418.03	CLAMP PLATE	4
	06.430.09	2 OFF CLAMP HOSE 25 X 25	4
	0904107	HOSE CLIP 40-55MM	4

HOSE LAYOUT

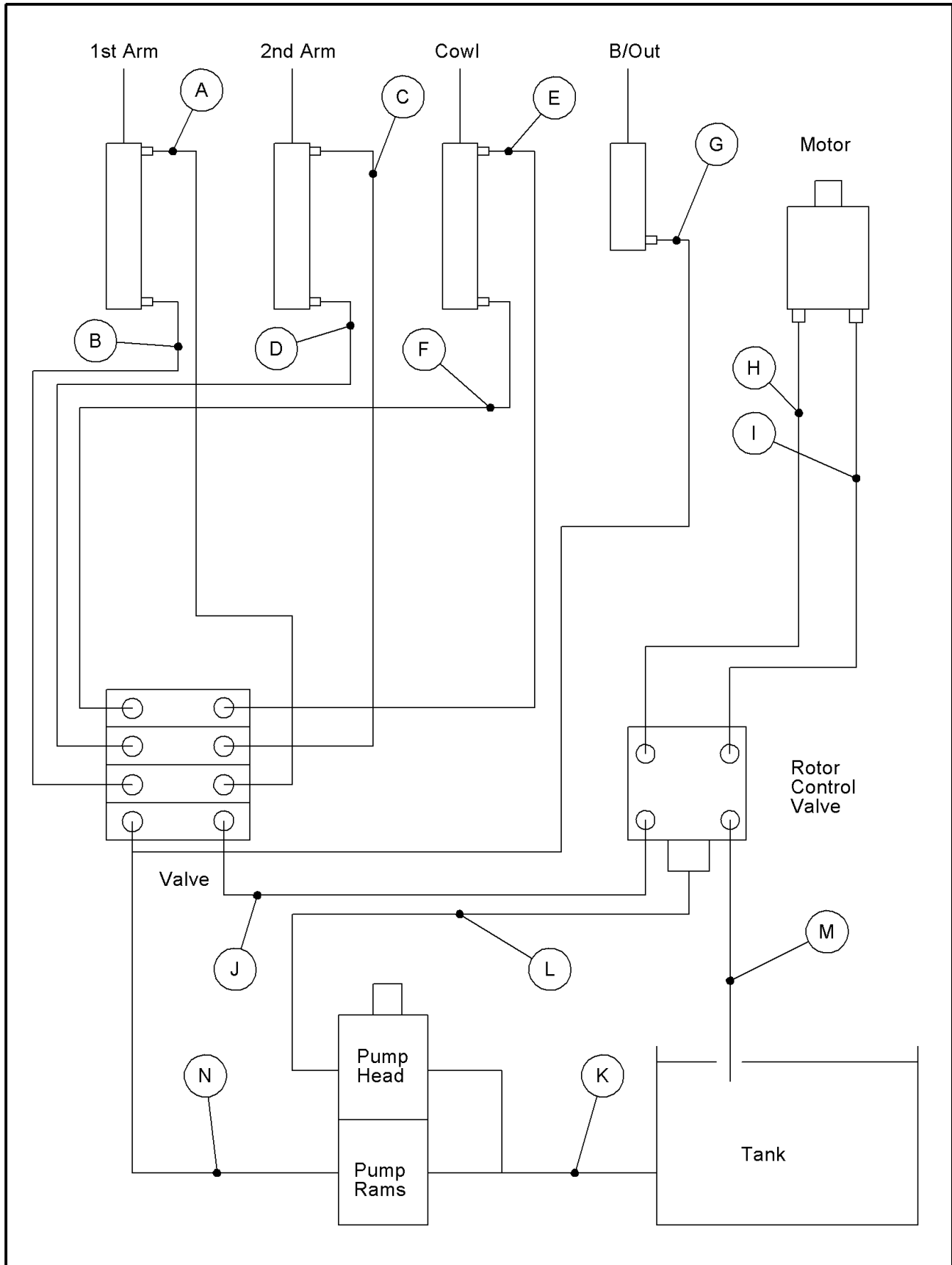


HOSE LAYOUT

77.735.03 - HOSE SERV KIT RH SI JIC - 41320.04

REF	PART NO.	DESCRIPTION	QTY
A	08.957.15	1/4 BORE HOSE R1AT 9/16 JIC	1
B	08.957.18	HOSE 9/16JIC FS/90 X 1000mm	1
C	41721.26	HOSE 1/4"BORE X 1600 JIC STXST	1
D	08.957.31	1/4 BORE HOSE R1AT 9/16 JIC	1
E	41721.33	1/4 BORE HOSE R1AT 9/16JIC	1
F	41721.33	1/4 BORE HOSE R1AT 9/16JIC	1
G	41721.26	HOSE 1/4"BORE X 1600 JIC STXST	1
H	8501260	HOSE 5/8" BORE R2AT 7/8JIC	1
I	8501260	HOSE 5/8" BORE R2AT 7/8JIC	1
J	8531808	3/8 BORE COMPACT HYD HOSE	1
K	8501139	1.1/4"BORE SAE R4 RUB HOSE 23"	1
L	8501174	5/8"BORE R2AT 7/8"JIC FS	1
P	8532019	7/8 JIC FS-90 R1AT HOSE 80" LG	1
	05.287.01	SELF-LOCKING NUT M8 PLATED	4
	05.291.06	BOLT M8 X 55MM PLATED	4
	06.418.03	CLAMP PLATE	4
	06.430.09	2 OFF CLAMP HOSE 25 X 25	4
	0904107	HOSE CLIP 40-55MM	4

HOSE LAYOUT

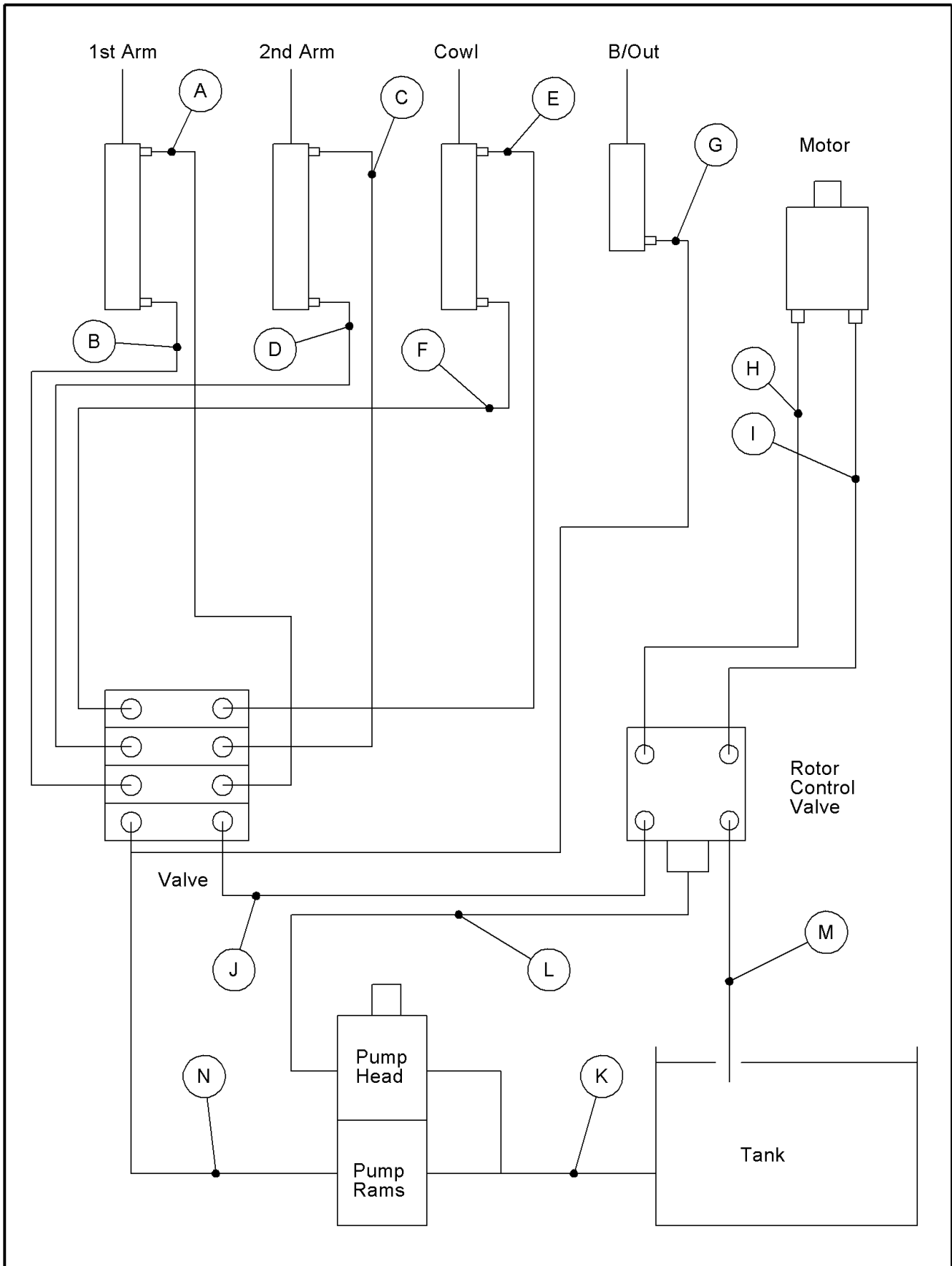


HOSE LAYOUT

77.735.04 - HOSE SERV KIT LH TI - 41320.09 REV C

REF	PART NO.	DESCRIPTION	QTY
A	10.031.20	1/4"BSP FS/90 1000MM LG HOSE	1
B	10.031.17	1/4"BSP FS/F90 850MM LG HOSE	1
C	8515132	1/4"BSP FS/FS 64" LG HOSE	1
D	8515132	1/4"BSP FS/FS 64" LG HOSE	1
E	10.001.33	HOSE 1/4"BSP STXST S.SEAL 2300	1
F	10.001.33	HOSE 1/4"BSP STXST S.SEAL 2300	1
G	10.001.33	HOSE 1/4"BSP STXST S.SEAL 2300	1
H	8501249	HOSE 5/8BSP F/H F/H 140LG	1
I	8501249	HOSE 5/8BSP F/H F/H 140LG	1
J	8533144	1/2"BSP R2A F/S-F/90DEG 22"LG	1
K	8501307	1.1/4" BORE SAE R4 RUB HOSE	1
L	10.008.22	5/8"BSP FS/F90 600 LG HOSE	1
M	10.008.12	5/8"BSP FS/F90 600 LG HOSE	1
N	10.004.25	HOSE 3/8"BSP STX90 S.SEAL 1500	1
	05.287.01	SELF-LOCKING NUT M8 PLATED	4
	05.291.06	BOLT M8 X 55MM PLATED	4
	06.418.03	CLAMP PLATE	4
	06.430.09	2 OFF CLAMP HOSE 25 X 25	4
	0904107	HOSE CLIP 40-55MM	4

HOSE LAYOUT



HOSE LAYOUT

77.735.05 - HOSESERV KIT LH TI CABLE - 41320.08

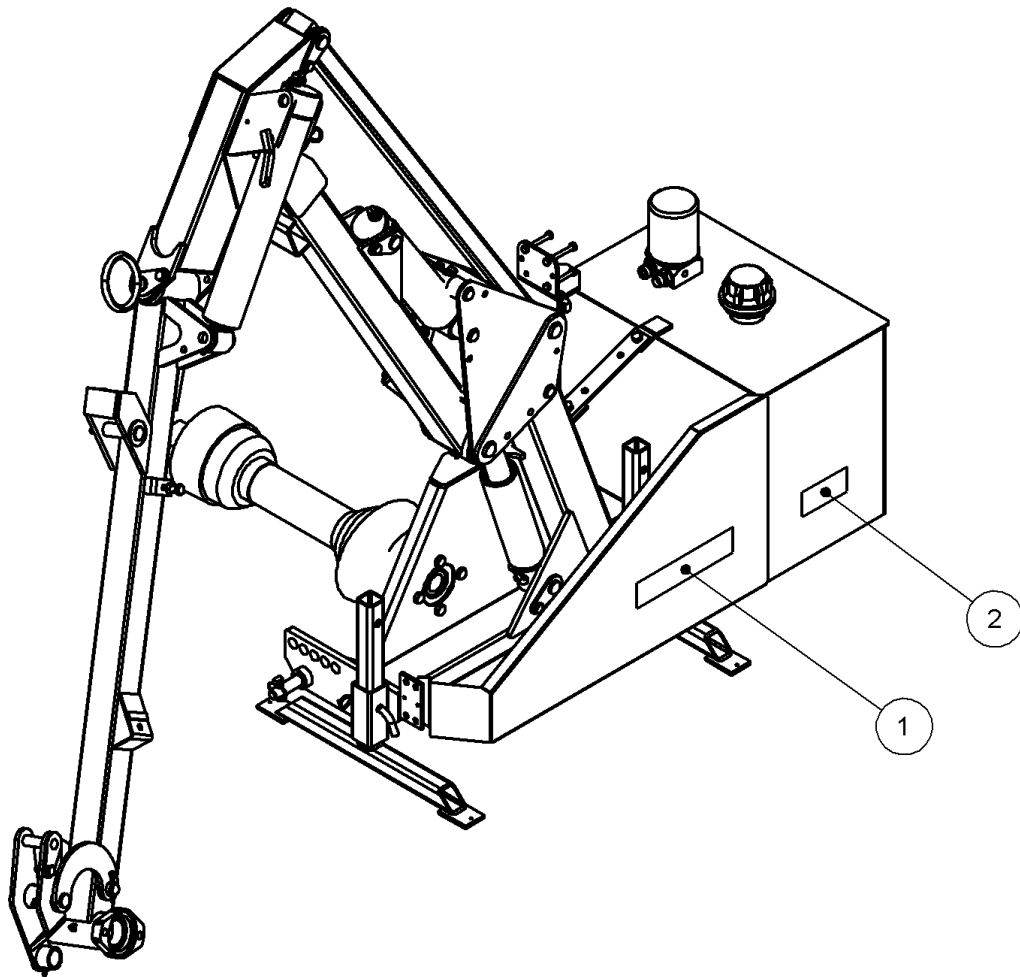
REF	PART NO.	DESCRIPTION	QTY
A	10.031.20	1/4"BSP FS/90 1000MM LG HOSE	1
B	10.031.17	1/4"BSP FS/F90 850MM LG HOSE	1
C	8515132	1/4"BSP FS/FS 64" LG HOSE	1
D	8515132	1/4"BSP FS/FS 64" LG HOSE	1
E	10.001.33	HOSE 1/4"BSP STXST S.SEAL 2300	1
F	10.001.33	HOSE 1/4"BSP STXST S.SEAL 2300	1
G	10.001.33	HOSE 1/4"BSP STXST S.SEAL 2300	1
H	8501249	HOSE 5/8BSP F/H F/H 140LG	1
I	8501249	HOSE 5/8BSP F/H F/H 140LG	1
J	8533144	1/2"BSP R2A F/S-F/90DEG 22"LG	1
K	8501307	1.1/4" BORE SAE R4 RUB HOSE	1
L	10.008.12	5/8"BSP FS/F90 600 LG HOSE	1
M	10.008.12	5/8"BSP FS/F90 600 LG HOSE	1
N	8531403	3/8 BORE DB 3/8 BSP ST-90-40"	1

ITEM NO.	PART NUMBER	DESCRIPTION	QTY.
1	08.632.01	DECAL - TRANSPORT	1
2	09.811.04	DECAL - 540 MAX ACW	1
3	09.821.28	DECALS - EURO DECAL MINIATURISED	1
4	09.821.32	DECALS - EURO DECAL MINIATURISED	1
5	09.821.33	DECALS - EURO DECAL MINIATURISED	1
6	09.821.34	09.821.34	1
7	09.843.06	DECAL - LIFT POINT 1500 KG	1
8	09.845.01	DECAL - APPROVED OILS	1
9	09.846.02	DECAL - OIL FILTER CHANGE	1
10	46.681.01	DECAL - LEG POSITION WHEN PARKED	1

77.733.01 – MARKETING DECALS

05.227.01	HAMMER DRIVE SCREW	2
05.774.07	SERIAL NO. PLATE BOMFORD	1
09.106.02	DECAL – BOMFORD	1
09.980.14	DECAL B315	1

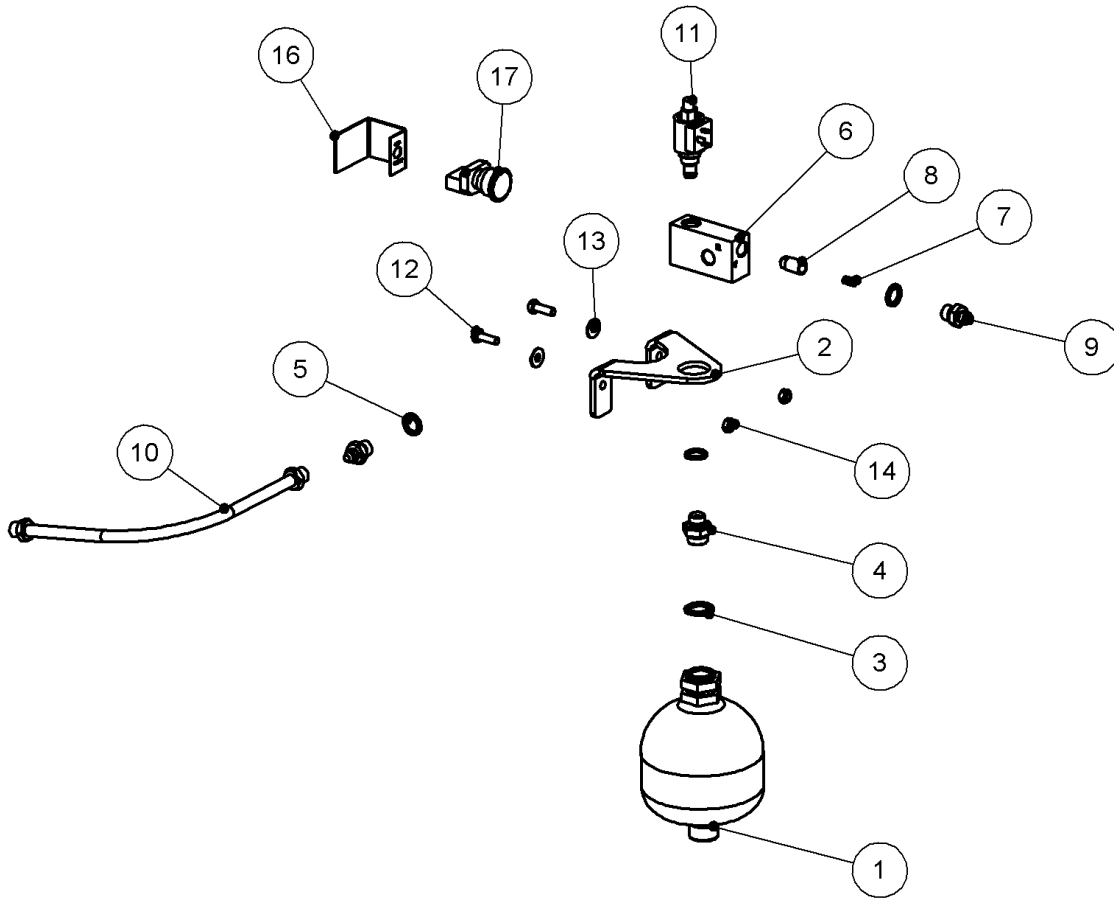
DECAL LAYOUT



ITEM NO.	PART NUMBER	DESCRIPTION	QTY
1	09.106.02	DECAL - BOMFORD	1
2	09.980.14	DECAL - B315	1

ARM FLOAT KIT JIC B315

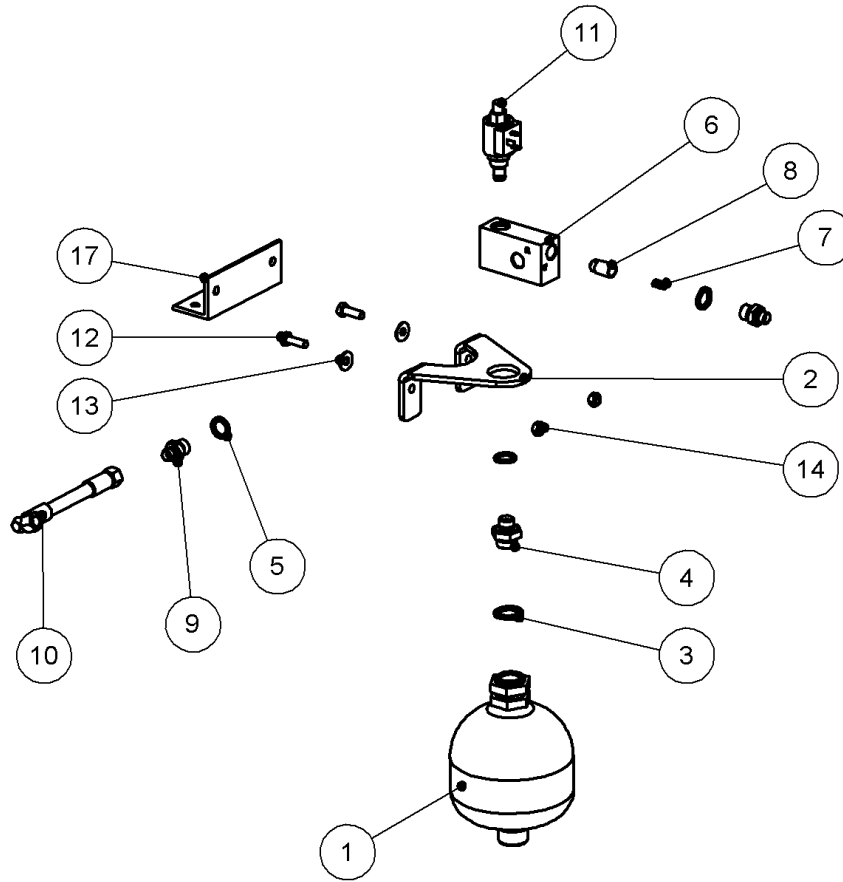
77.730.01 REV : A



ITEM NO.	PART NUMBER	DESCRIPTION	QTY.
1	8126042	ACCUMULATOR 1L 41BAR PC	1
2	8126286	PLATE 6 - 180 X 130	1
3	8650322	BONDED SEAL M22	1
4	G2410380	ADAPTOR 38"BSPxM22 MM	1
5	05.290.04	BONDED SEAL 3/8" BSP	3
6	8126287	LIFT FLOAT VALVE BLOCK	1
7	8116011	SPRING OD.275x5/8"LG	1
8	8126037	RESPONSE PISTON	1
9	08.955.06	ADAPTOR 3/8"BSP X 9/16"-18 JIC	2
10	08.957.07	HOSE 1/4"BORE X450MM JIC 90XST	1
11	8130183	VALVE POPPET NC SIZE 8	1
12	05.264.02	SETScrew M8x25	2
13	05.281.01	FLAT WASHER M8	2
14	05.287.01	SELF-LOCKING NUT M8	2
15	1290061	OPERATION DECAL	1
16	7192081	SWITCH BRACKET	1
17	8402194	SWITCH KIT-LIFT FLOAT	1

ARM FLOAT KIT BSP B315

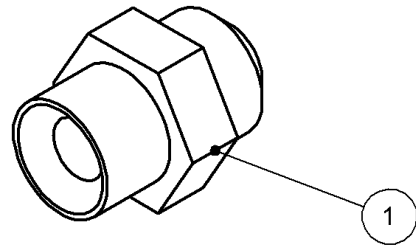
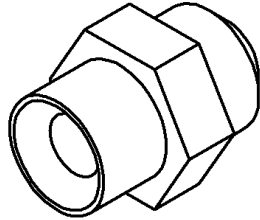
77.730.02 REV : A



ITEM NO.	PART NUMBER	DESCRIPTION	QTY.
1	8126042	ACCUMULATOR 1L 41BAR PC	1
2	8126286	PLATE 6 - 180 X 130	1
3	8650322	BONDED SEAL M22	1
4	G2410380	ADAPTOR 38"BSPxM22 MM	1
5	05.290.04	BONDED SEAL 3/8" BSP	3
6	8126287	LIFT FLOAT VALVE BLOCK	1
7	8116011	SPRING OD.275x5/8"LG	1
8	8126037	RESPONSE PISTON	1
9	8581115	ADAPTOR 1/4 X 3/8 BSP	2
10	10.002.09	1/4"BSP FS/F90 450	1
11	8130183	VALVE POPPET NC SIZE 8	1
12	05.264.02	SETScrew M8x25	2
13	05.281.01	FLAT WASHER M8	2
14	05.287.01	SELF-LOCKING NUT M8	2
15	1290061	OPERATION DECAL	1
16	8402159	HARNESS- LIFT FLOAT	1
17	8126306	MOUNTING ANGLE- FLOAT	1

JIC ADAPTER KIT B315

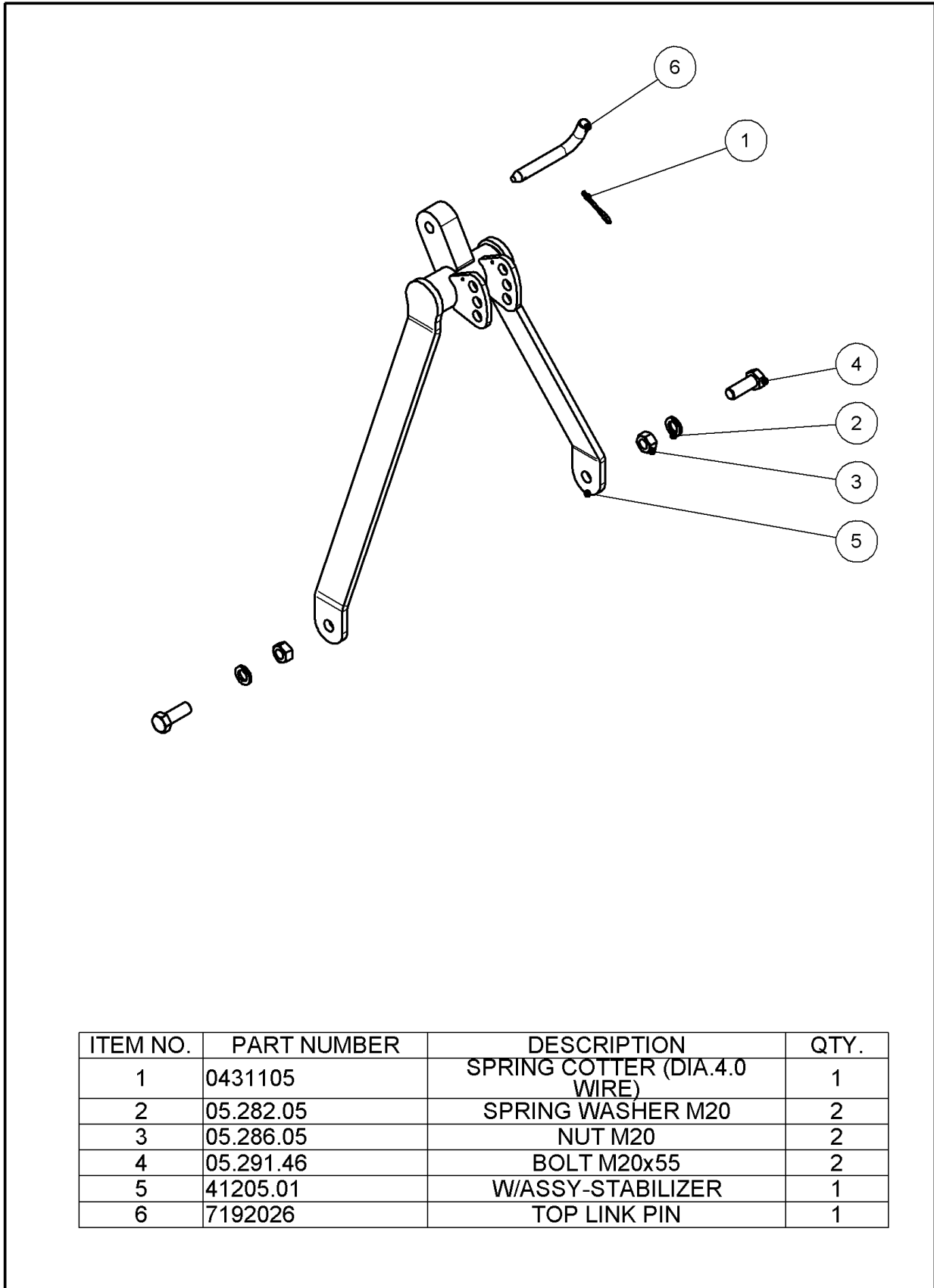
77.734.01 REV : A



ITEM NO.	PART NUMBER	DESCRIPTION	QTY.
1	G5200700	ADAPTOR 7/8"JIC X 1/2"BSP M-M	2

STABILIZER PA B315

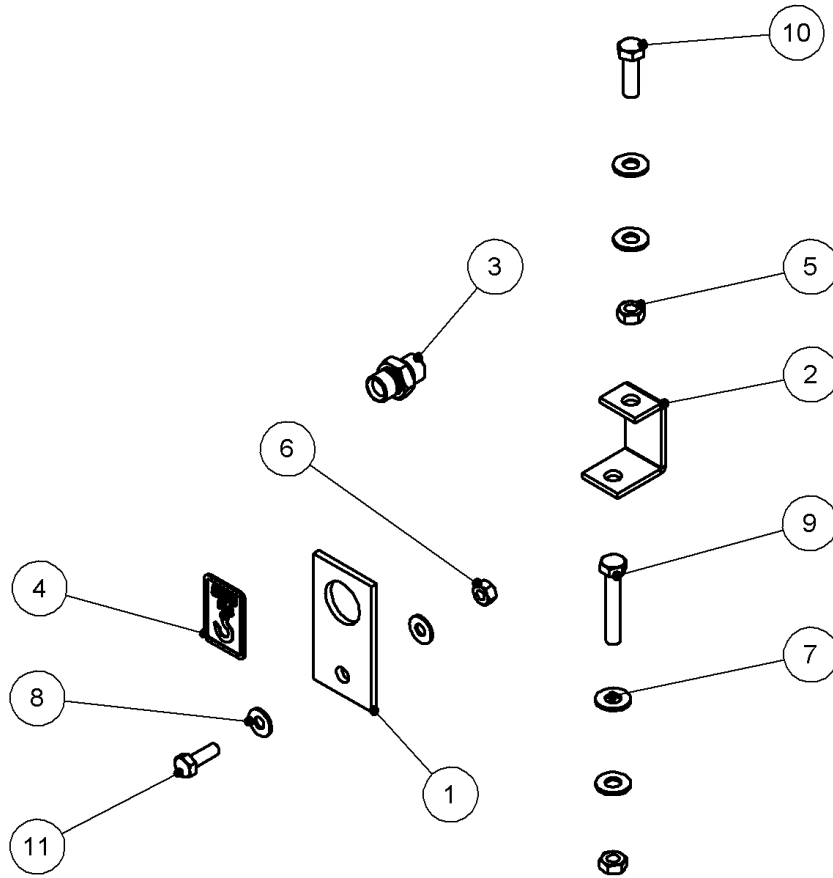
77.710.01 REV : A



ITEM NO.	PART NUMBER	DESCRIPTION	QTY.
1	0431105	SPRING COTTER (DIA.4.0 WIRE)	1
2	05.282.05	SPRING WASHER M20	2
3	05.286.05	NUT M20	2
4	05.291.46	BOLT M20x55	2
5	41205.01	W/ASSY-STABILIZER	1
6	7192026	TOP LINK PIN	1

TRANSPORT PACK BASE

77.732.01 REV : A



ITEM NO.	PART NUMBER	DESCRIPTION	QTY.
1	7193030	FLAT 65 X 6 - 122 LG	1
2	41469.01	PA90 PACKING BRACKET	1
3	8581318	5/8" BSP ADAPTOR MM UNION	1
4	09.843.03	DECAL 500 Kg	1
5	05.287.03	SELF-LOCKING NUT M12	2
6	05.287.02	SELF-LOCKING NUT M10	1
7	05.281.03	FLAT WASHER M12	4
8	05.281.02	FLAT WASHER M10	2
9	05.264.30	SETSCREW M12x70	1
10	05.264.25	SETSCREW M12x40	1
11	05.264.13	SETSCREW M10x30	1
12	7550030	DIPPER LOCKING STRAP	1