

PM1700

B313S, B363S
VERGE MOWER

PARTS MANUAL

ISSUE 1

IMPORTANT

NOTE HERE THE SERIAL NUMBER OF YOUR MACHINE AND ALWAYS QUOTE IT IN ANY COMMUNICATION WITH US OR YOUR DEALER. THIS IS PARTICULARLY IMPORTANT WHEN ORDERING SPARES. REMEMBER TO INCLUDE ALL NUMBERS AND LETTERS.

MACHINE SERIAL NUMBERS _____

THE INFORMATION GIVEN THROUGHOUT THIS MANUAL IS CORRECT AT THE TIME OF PUBLICATION. HOWEVER, IN THE COURSE OF CONSTANT DEVELOPMENT OF BOMFORD TURNER MACHINES, CHANGES IN SPECIFICATION ARE INEVITABLE. SHOULD YOU FIND THE INFORMATION GIVEN IN THIS BOOK TO BE AT VARIANCE WITH THE MACHINE IN YOUR POSSESSION, YOU ARE ADVISED TO CONTACT THE BOMFORD TURNER SERVICE DEPARTMENT WHERE UP-TO-DATE INFORMATION WILL BE PROVIDED.

THE MANUAL CAN CONTAIN STANDARD AND OPTIONAL FEATURES AND IS NOT TO BE USED AS A MACHINE SPECIFICATION.

THE MACHINE HAS BEEN TESTED AND IS CONSIDERED SAFE IF CAREFULLY USED. ENSURE YOUR OPERATOR IS PROPERLY TRAINED IN ITS USE AND MAINTENANCE.

IMPORTANT

NOTEZ ICI LES NUMEROS DE SERIE DE VOTRE MACHINE ET MENTIONNEZ LES DANS TOUTE COMMUNICATION AVEC NOS SERVICES OU VOTRE REVENDEUR. CECI EST IMPORTANT POUR LA COMMANDE DE PIECES DETACHEES. PENSEZ A NOTER TOUS LES NUMEROS ET TOUTES LES LETTERS.

NUMEROS DE SERIE DE LA MACHINE _____

LES INFORMATIONS DONNEES DANS CE MANUEL SONT CORRECTES CEPENDANT, DU FAIT DE DEVELOPPEMENT CONSTANT DES MACHINES BOMFORD TURNER.

CHANGEMENTS DANS LES CARACTERISTIQUES SONT INEVITABLES.

SI VOUS TROUVEZ QUE LES INFORMATIONS DONNEES NE CORRESPONDENT PAS A VOTRE MACHINE VEUILLEZ CONTACTER LE SERVICE DES REPARATIONS OU DES INFORMATIONS PLUS RECENTES VOUS SERONT DONNEES. CE MANUEL PEUT MONTRER DES CARACTERISTIQUES OPTIONNELLES ET NE PEUT PAS ETRE CONSIDERE COMME SPECIFICATION DE LA MACHINE.

CETTE MACHINE A ETE TESTEE, ET ELLE EST CONSIDEREE COMME FIABLE A CONDITION D'UNE BONNE UTILISATION. ASSUREZ-VOUS QUE VOTRE OPERATEUR EST QUALIFIE EN CE QUI CONCERNE L'UTILISATION DE LA MACHINE AINSI QUE SON ENTRETIEN.

WICHTIG

TRAGEN SIE HIER DIE SERIENNUMMERN IHRER MASCHINE EIN UND GEBEN SIE DIESE IMMER AN, WENN SIE SICH AN UNS ODER IHREN HÄNDLER WENDEN. DAS IST BESONDERS BEI ERSATZTEILBESTELLUNGEN WICHTIG. VERGESSEN SIE NICHT, ALLE ZAHLEN UND BUCHSTABEN ZU NOTIEREN.

SERIENNUMMERN DER MASCHINE _____

DIE ANGABEN IN DIESEM HANDBUCH SIND BEI VERÖFFENTLICHUNG KORREKT. AUFGRUND DER KONSTANTEN WEITERENTWICKLUNG VON BOMFORD TURNER MACHINEN SIND JEDOCHÄNDERUGDEN IN DER SPEZIFIKATION UNVERMEIDLICH. WENN DIE INFORMATION IN DIESEM HANDBUCH NICHT MIT IHRER MASCHINE ÜBEREINSTIMMEN, NEHMEN SIE BITTE KONTAKT MIT DER BOMFORD TURNER KUNDENDIENSTABTEILUNG AUF, DIE IHNEN GERNE DIE AKTUELLEN INFORMATION ZUKOMMEN LÄSST.

DAS HANDBUCH KANN SOWOHL BESCHREIBUNGEN FÜR DIE STANDARD AUSFÜHRUNG ALS AUCH FÜR ZUBEHÖR ENTHALTEN UND IST NICHT ALS MASCHINENSPEZIFIKATION ZU VERWENDET.

DIE MASCHINE IST GETESTET UND BEI SACHGEMÄSSEM BETRIEB ALS SICHER BEFUNDEN WORDEN. SORGEN SIE DAFÜR, DASS IHR BEDIENPERSONAL IN ANWENDUNG UND WARTUNG RICHTIG GESCHULT WIRD.

NOTE: PAGE AND ILLUSTRATION NUMBERS ARE USED ONLY FOR REFERENCE PURPOSES AND SHOULD NOT BE USED FOR ORDERING SPARE PARTS. PLEASE ENSURE THE CORRECT PART NUMBER AND DESCRIPTION IS GIVEN WHEN ORDERING SPARE PARTS.

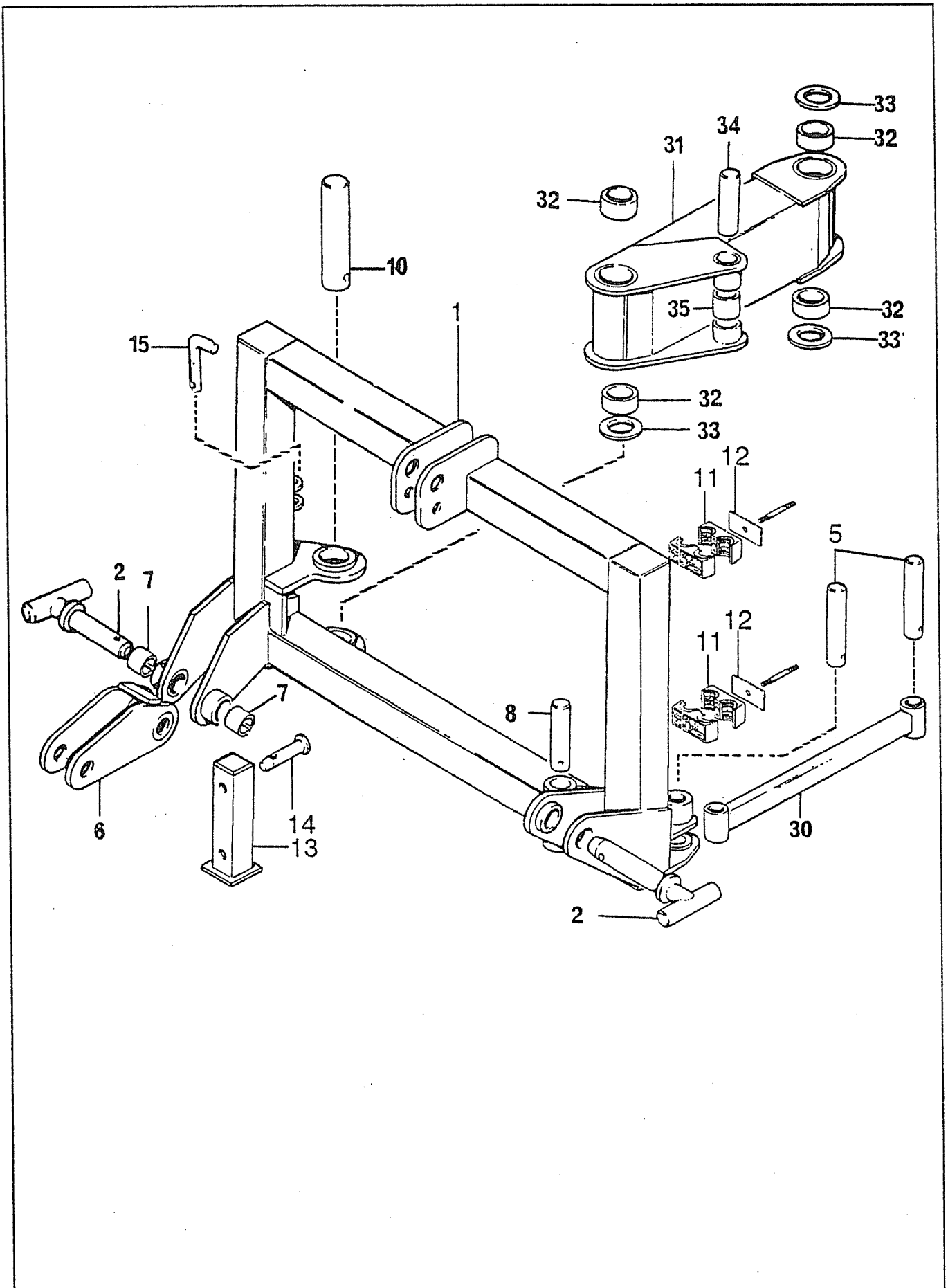
PAGE NO	DESCRIPTION
	<u>B313S</u>
2 - 1 TO 2 - 2	SWING LINKS
3 - 1 TO 3 - 2	ARMS
4 - 1 TO 4 - 2	GEARBOX PULLEYS-DRIVE BELTS PTO SHAFT
5 - 1 TO 5 - 2	CONTROL INST KIT
6 - 1 TO 6 - 2	RAMS AND HOSES
7 - 1 TO 7 - 2	COWL ASSEMBLY ROLLER ASSEMBLY
8 - 1 TO 8 - 2	ROTOR SHAFT ASSEMBLIES BEARING ASSEMBLY ROTOR SHAFT ASSEMBLY
9 - 1 TO 9 - 2	DECALS
	<u>B363S</u>
10 - 1 TO 10 - 2	MAINFRAME SWING LINKS
11 - 1 TO 11 - 2	ARM
12 - 1 TO 12 - 2	GEARBOX ASSEMBLY PTO SHAFT ASSEMBLY DRIVE BRACKET, PULLEYS AND BELTS
13 - 1 TO 13 - 2	CONTROL INSTALLATION KITS
14 - 1 TO 14 - 2	RAMS/HOSES
15 - 1 TO 15 - 2	COWL ASSEMBLY ROLLER ASSEMBLY
16 - 1 TO 16 - 2	BEARING ASSEMBLY ROTOR SHAFT ASSEMBLIES
17 - 1 TO 17 - 2	DECALS

IMPORTANT

IT IS POTENTIALLY HAZARDOUS TO FIT OR USE
ANY PARTS OTHER THAN GENUINE BOMFORD TURNER PARTS.

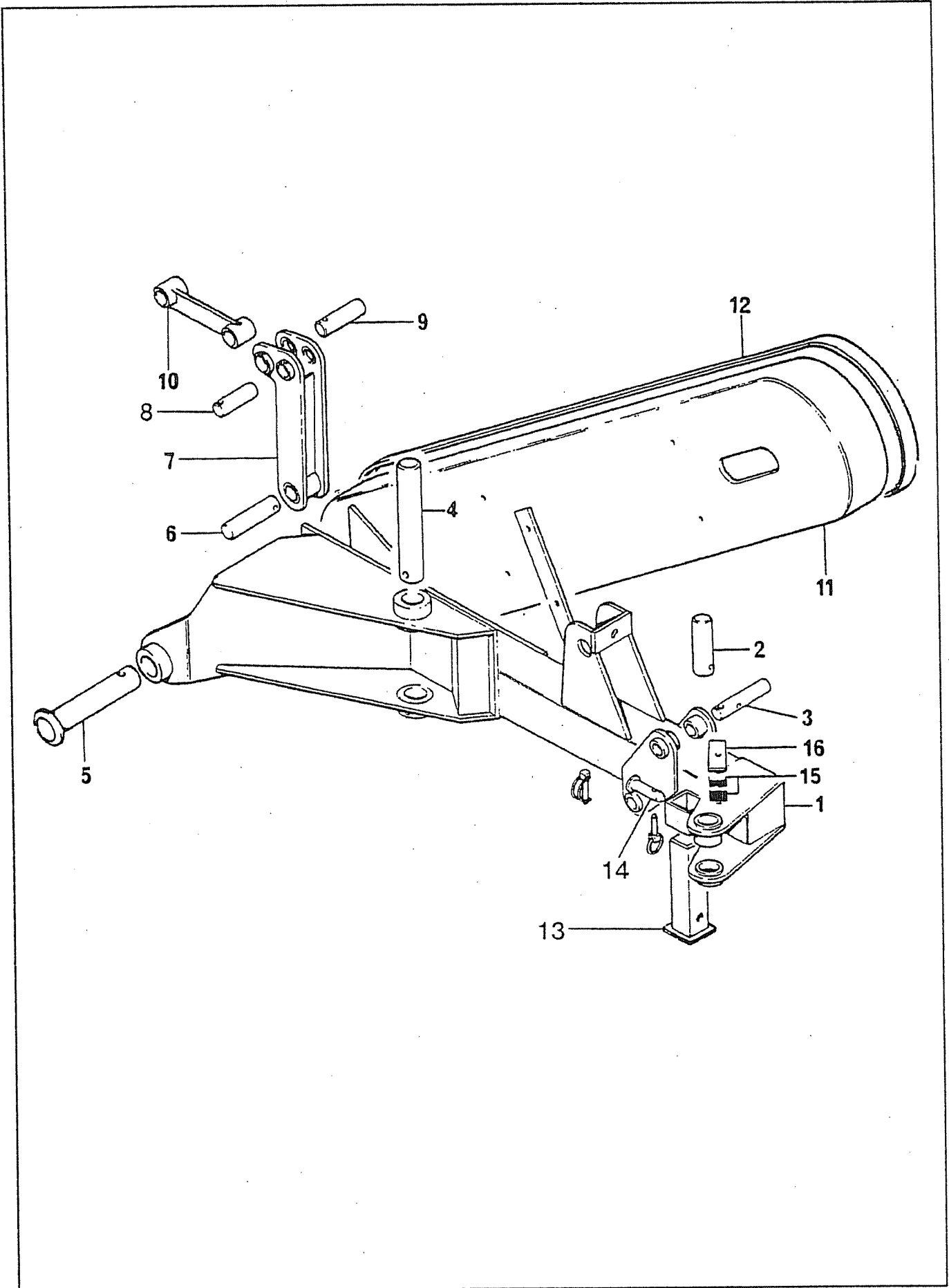
THE COMPANY DISCLAIMS ALL LIABILITY FOR THE
CONSEQUENCES OF SUCH USE, WHICH IN ADDITION
VOIDS THE MACHINE WARRANTY.

THIS MACHINE IS FOR VEGETATION CONTROL AND
MUST NOT BE USED FOR ANY OTHER PURPOSE.



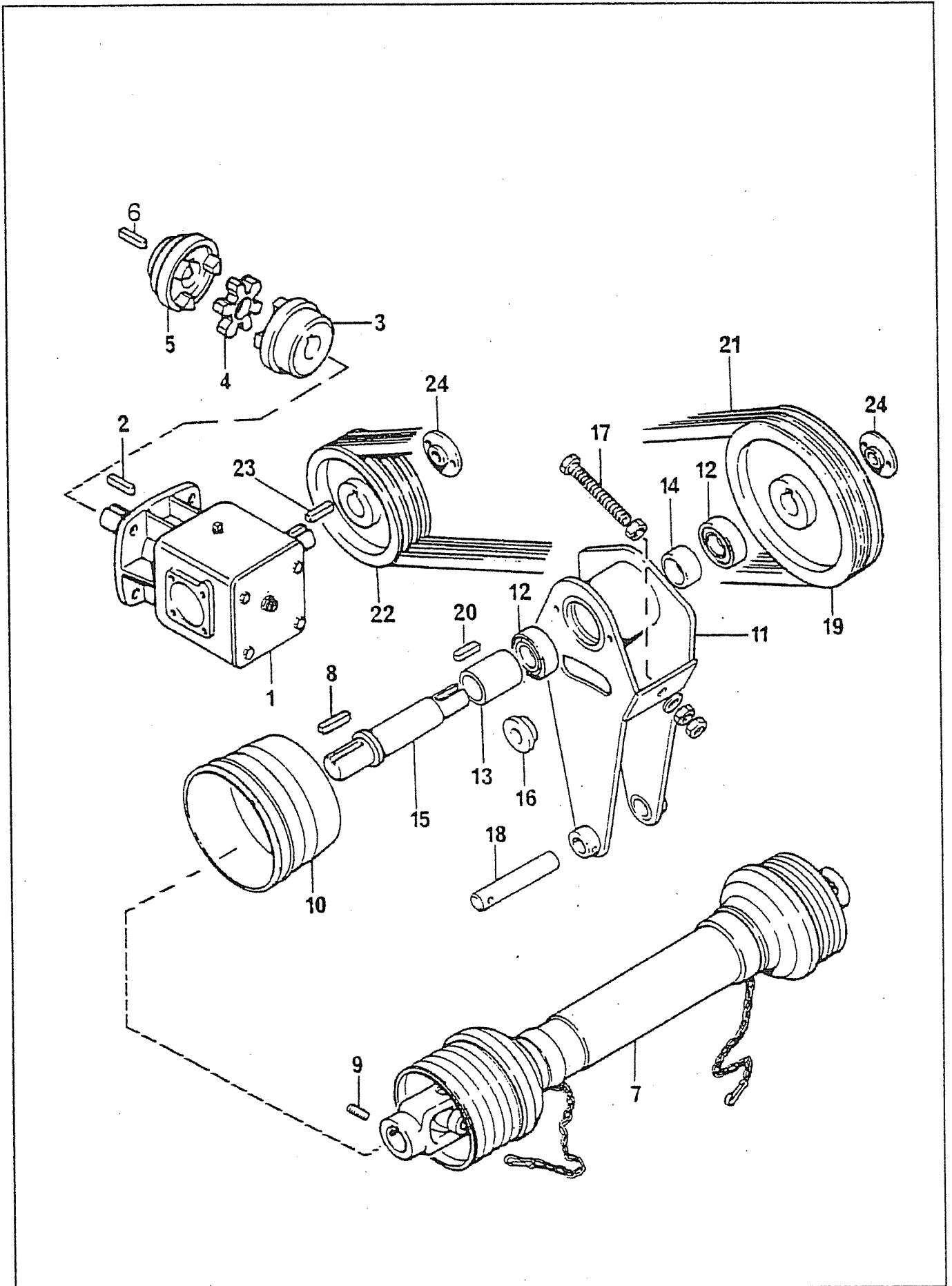
REF	PART NO.	DESCRIPTION	QTY
	72.481.01, 72.549.01, 72.550.01	MAINFRAME	
01	05.227.01	HAMMER DRIVE SCREW NO. 6 X 3/8"	2
01	05.774.05	SERIAL No.PLATE BOMFORD TURNER	1
*01	09.248.01	FRAME - RIGHT	1
01	09.248.02	FRAME - LEFT	1
01	09.248.03	FRAME - FRONT	1
02	00.372.01	LINCH PIN	2
*02	06.318.01	PIN-1.1/8" DIA X 103	2
*05	03.654.19	PIN 30 DIA X 153	2
05	03.786.01	INSTRUCTION PLATE-GREASE M6	2
05	05.201.07	TENSION PIN 8MM X 45MM PLATED	2
05	05.953.01	GREASE NIPPLE M6	2
*06	09.241.01	LINK - BREAKOUT	1
*07	02.771.06	TENSION BUSH 35 X 30 X 30	2
*08	03.653.54	PIN 25 DIA X 129	1
08	03.786.01	INSTRUCTION PLATE-GREASE M6	1
08	05.201.07	TENSION PIN 8MM X 45MM PLATED	1
08	05.953.01	GREASE NIPPLE M6	1
*10	03.656.62	PIN 40 DIA X 256MM	1
10	03.786.01	INSTRUCTION PLATE-GREASE M6	1
10	05.282.02	SPRING WASHER 10MM PLATED	1
10	05.286.02	NUT M10 PLATED	1
10	05.292.11	BOLT M10 X 80MM PLATED	1
10	05.953.01	GREASE NIPPLE M6	1
11	04.282.30	STUD M8 X 85 PLATED	2
11	05.281.01	FLAT WASHER 8MM PLATED	2
11	05.282.01	SPRING WASHER 8MM PLATED	2
11	05.286.01	NUT M8 PLATED	2
*11	06.430.02	CLAMP HOSE 14 X 14	8
*12	06.418.02	CLAMP PLATE 30 X 6 PLATED	2
*13	09.240.01	STAND	1
14	00.372.01	LINCH PIN	1
*14	03.652.01	PIN 20 DIA X 90	1
*15	03.651.18	PIN 16 DIA X 80MM	1
15	05.964.01	SPRING COTTER 3.6MM DIA	1
	72.482.01	LINKS	
*30	09.237.01	LINK - SWING	1
*31	09.234.01	LINK - SWING RAM	1
*32	08.297.02	BUSH - PLASTIC 47 X 40 X 40	4
*33	09.232.01	THRUST WASHER	3
*34	03.653.56	PIN 25 DIA X 178MM	1
34	03.786.01	INSTRUCTION PLATE-GREASE M6	1
34	05.201.07	TENSION PIN 8MM X 45MM PLATED	1
34	05.953.01	GREASE NIPPLE M6	1
*35	09.235.01	SPACER - 40 X 25.5 - 36	1

*MAIN PART IN GROUP, RELATED PARTS HAVE SAME REFERENCE NUMBER



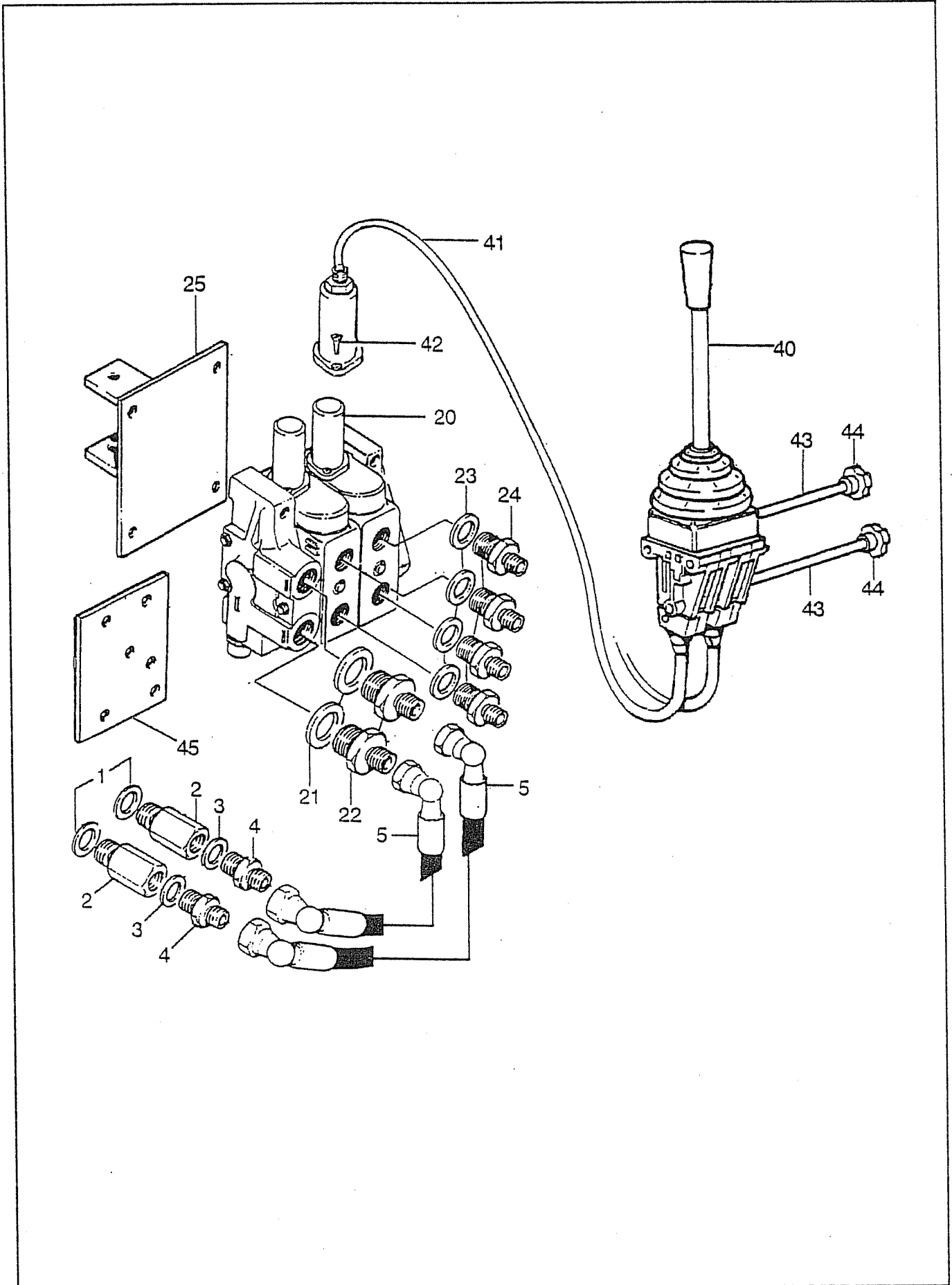
REF	PART NO.	DESCRIPTION	QTY
	72.485.01, 72.551.01	ARM	
01	03.786.01	INSTRUCTION PLATE-GREASE M6	1
01	05.953.01	GREASE NIPPLE M6	1
*01	09.300.01	ARM-RIGHT	1
*01	09.300.02	ARM-LEFT	1
*02	03.654.09	PIN 30 DIA X 140MM	1
02	03.786.01	INSTRUCTION PLATE-GREASE M6	1
02	05.201.07	TENSION PIN 8MM X 45MM PLATED	1
02	05.953.01	GREASE NIPPLE M6	1
*03	03.653.25	PIN 25 DIA X 135	1
03	03.786.01	INSTRUCTION PLATE-GREASE M6	1
03	05.201.07	TENSION PIN 8MM X 45MM PLATED	1
03	05.953.01	GREASE NIPPLE M6	1
*04	03.656.63	PIN 40 DIA X 283MM	1
04	03.786.02	INSTRUCTION PLATE-GREASE M10	1
04	05.282.02	SPRING WASHER 10MM PLATED	1
04	05.286.02	NUT M10 PLATED	1
04	05.292.11	BOLT M10 X 80MM PLATED	1
04	05.953.03	GREASE NIPPLE M10	1
*05	03.656.61	PIN 40 DIA X 250MM	1
05	03.786.01	INSTRUCTION PLATE-GREASE M6	1
05	05.282.02	SPRING WASHER 10MM PLATED	1
05	05.286.02	NUT M10 PLATED	1
05	05.292.11	BOLT M10 X 80MM PLATED	1
05	05.953.01	GREASE NIPPLE M6	1
*06	03.654.08	PIN 30 DIA X 140MM	1
06	05.201.07	TENSION PIN 8MM X 45MM PLATED	1
07	03.786.01	INSTRUCTION PLATE-GREASE M6	1
07	05.953.01	GREASE NIPPLE M6	1
*07	09.233.01	LINK - COWL RAM	1
*08	03.653.55	PIN 25 DIA X 98MM	1
08	05.201.07	TENSION PIN 8MM X 45MM PLATED	1
*09	03.654.53	PIN 30 DIA X 98MM	1
09	05.201.07	TENSION PIN 8MM X 45MM PLATED	1
10	03.786.01	INSTRUCTION PLATE-GREASE M6	1
10	05.953.01	GREASE NIPPLE M6	2
*10	09.231.01	LINK - COWL	1
11	05.264.12	SETSCREW M10 X 25MM PLATED	4
11	05.282.02	SPRING WASHER 10MM PLATED	4
*11	09.245.01	GUARD-REAR RIGHT	1
11	09.245.02	GUARD-REAR LEFT	1
12	05.264.11	SETSCREW M10 X 20MM PLATED	4
12	05.282.02	SPRING WASHER 10MM PLATED	4
*12	09.246.01	GUARD - COVER	1
*13	09.240.01	STAND	1
14	00.372.01	LINCH PIN	1
*14	03.652.01	PIN 20 DIA X 90	1
15	04.282.32	STUD M8 X 52	1
15	05.281.01	FLAT WASHER 8MM PLATED	1
15	05.282.01	SPRING WASHER 8MM PLATED	1
15	05.286.01	NUT M8 PLATED	1
*15	06.430.02	CLAMP HOSE 14 X 14	2
*16	06.418.02	CLAMP PLATE 30 X 6 PLATED	1

*MAIN PART IN GROUP, RELATED PARTS HAVE SAME REFERENCE NUMBER



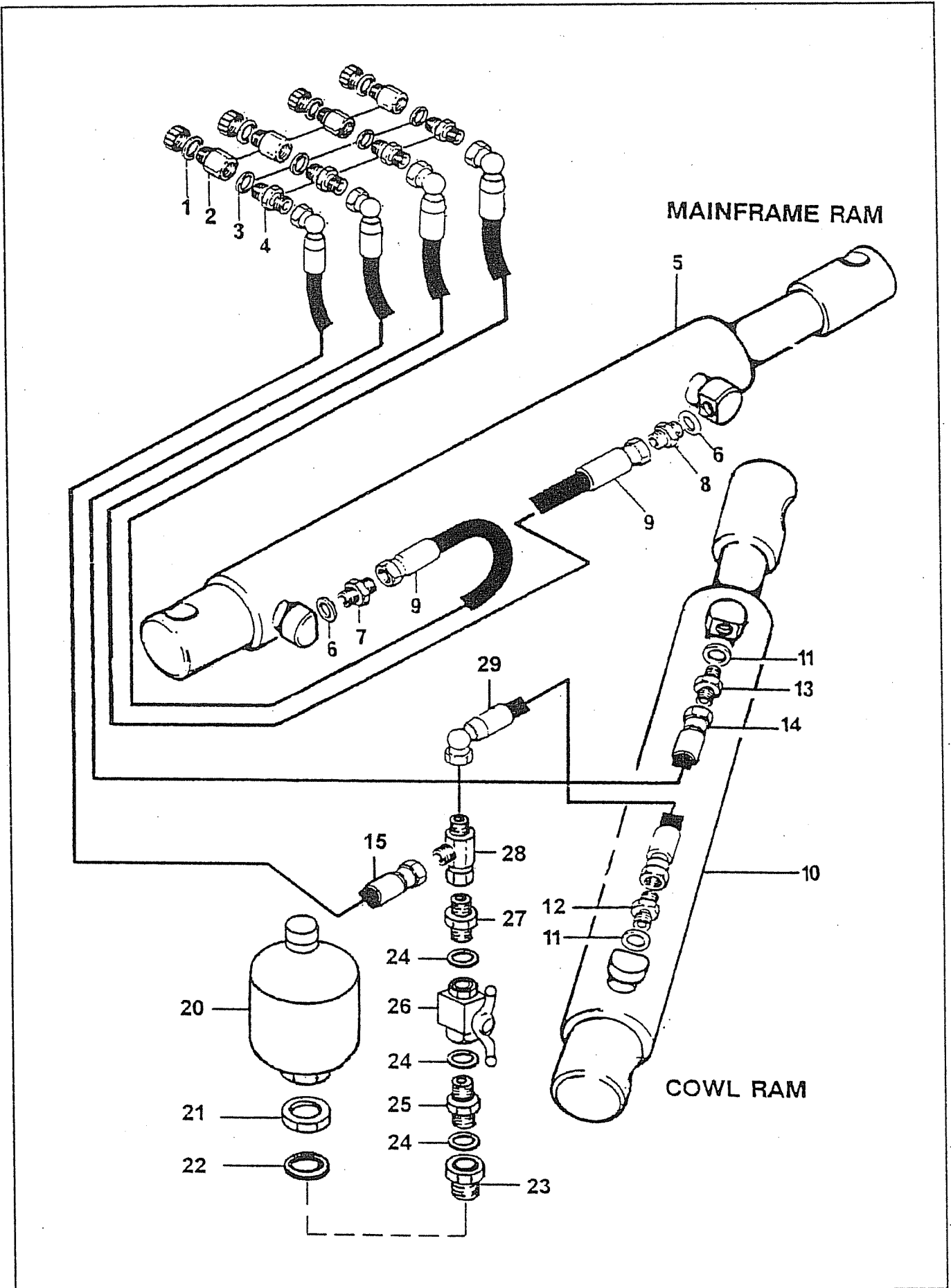
REF	PART NO.	DESCRIPTION	QTY
72.483.01, 72.555.01		PULLEYS/DRIVE BELTS	
10	05.264.01	SETSCREW M8 X 20MM PLATED	2
10	05.281.01	FLAT WASHER 8MM PLATED	2
10	05.282.01	SPRING WASHER 8MM PLATED	2
*10	09.236.01	GUARD - PLASTIC PTO	1
*11	09.299.01	BRACKET - DRIVE RIGHT	1
11	09.299.02	BRACKET - DRIVE LEFT	1
*12	03.007.06	BEARING - BALL 40MM BORE	2
*13	09.259.01	SPACER 50 O/D X 40.2 I/D	1
*14	09.264.01	SPACER 50 O/D X 40.2 I/D	1
15	02.824.01	WASHER 50 O/D X 13 I/D X 5MM	1
15	05.264.24	SETSCREW M12 X 35MM PLATED	1
15	05.282.03	SPRING WASHER 12MM PLATED	1
*15	09.265.01	SHAFT - PULLEY/PTO	1
16	05.264.34	SETSCREW M16 X 35MM PLATED	1
16	05.282.04	SPRING WASHER 16MM PLATED	1
*16	09.263.01	COLLAR - CLAMP	1
17	05.281.04	FLAT WASHER 16MM PLATED	2
17	05.286.04	NUT M16 PLATED	3
*17	09.298.01	BOLT - ADJUSTMENT	1
*18	03.653.57	PIN 25 DIA X 168MM	1
18	05.201.07	TENSION PIN 8MM X 45MM PLATED	1
*19	09.242.01	PULLEY 250 PCD X 3 SPB	1
*20	05.960.03	KEY-SEP 10MM X 8MM X 50MM	1
*21	05.299.51	BELT XPB 2500 QUAD POWER GATES	3
*22	09.243.01	PULLEY 180 PCD X 3 SPB	1
23	05.960.22	KEY-REP 10 X 8 X 58	1
*24	09.297.01	SPACER	2
72.484.01, 72.555.01		GEARBOX	
01	02.824.01	WASHER 50 O/D X 13 I/D X 5MM	1
01	05.264.24	SETSCREW M12 X 35MM PLATED	1
01	05.282.03	SPRING WASHER 12MM PLATED	1
*01	09.250.01	GEARBOX ASSEMBLY COMER RIGHT	1
01	09.250.02	GEARBOX ASSEMBLY COMER LEFT	1
02	05.960.22	KEY-REP 10 X 8 X 58	1
03	05.388.01	SCKT GRUBSCREW M8 X 25MM CONE PT	2
*03	07.078.05	HUB - COUPLING (KEYED)	1
*04	07.078.04	DRIVE - COUPLING	1
*05	07.078.03	HUB - COUPLING (KEYED)	1
*06	05.960.16	KEY-S/REP 12MM X 8MM X 40MM	1
72.478.01		PTO SHAFT	
07	04.402.04	P.T.O GUARD ASSY 685MM C/C	-
07	06.154.13	PTO JOURNAL BEARING KIT	-
*07	04.402.37	P.T.O. SHAFT ASSY 810MM C/C	1
*08	05.960.16	KEY-S/REP 12MM X 8MM X 40MM	1
*09	05.388.05	SOCKET GRUBSCREW M12 X 1.75 X 12MM	1

*MAIN PART IN GROUP, RELATED PARTS HAVE SAME REFERENCE NUMBER



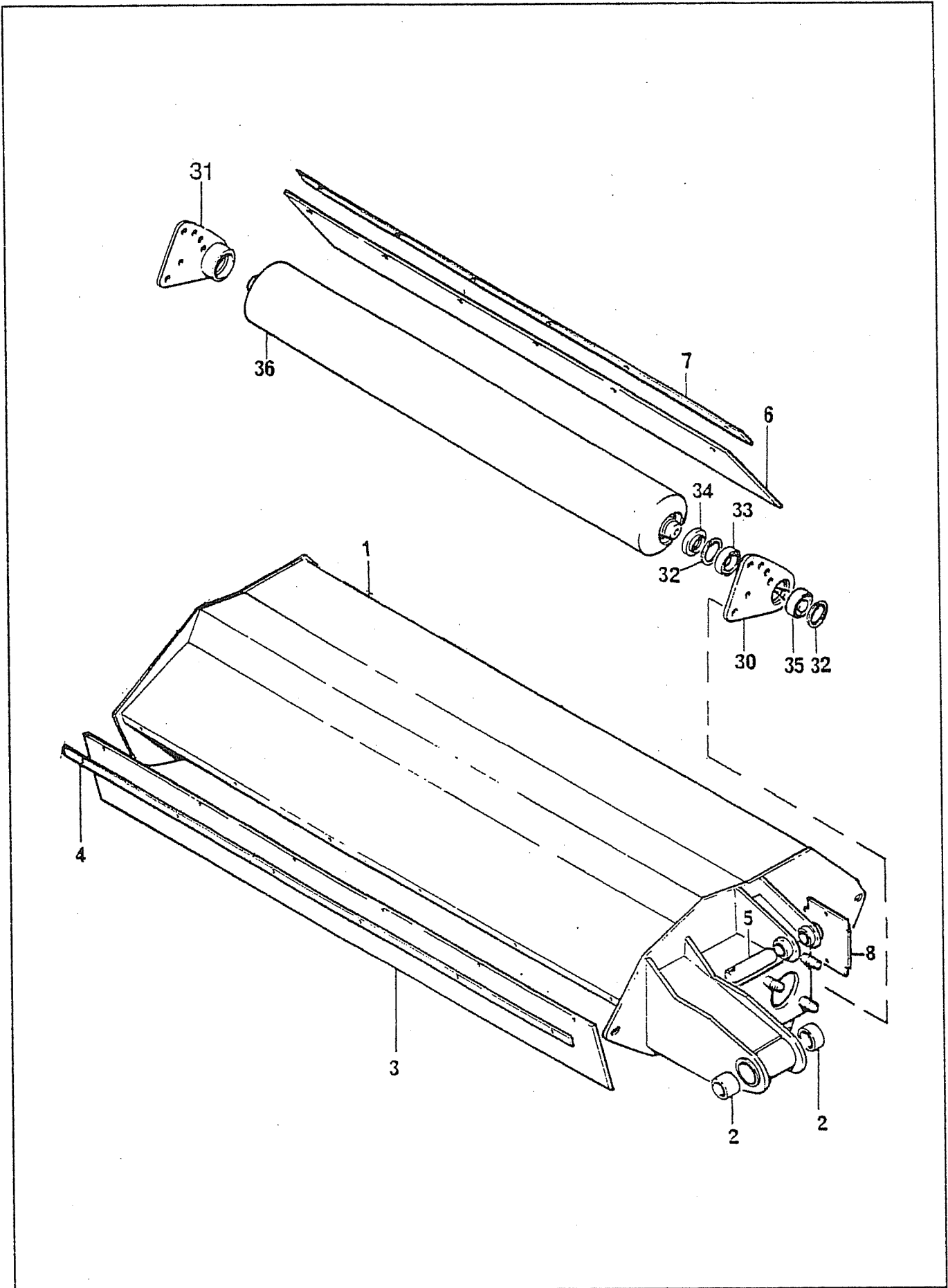
REF	PART NO.	DESCRIPTION	QTY
	72.470.01	CONTROL INSTALLATION KIT	
*01	05.290.05	BONDED SEAL 1/2"BSP	2
*02	05.225.01	ADAPTOR-RDCG.1/2"BSP X 3/8"BSP	2
02	05.300.03	PLUG-PLASTIC 1/2"BSP FEMALE	2
*03	05.290.04	BONDED SEAL 3/8"BSP	2
*04	05.124.01	ADAPTOR 3/8" BSP X 3/8" BSP	2
*05	05.991.30	HOSE 3/8"BSP X 2000M X 90 - ST	2
	72.657.01	ACCUMULATOR KIT	
*06	05.290.04	BONDED SEAL 3/8"BSP	2
*07	08.200.01	VALVE - ISOLATING 3/8" BSP	1
*08	01.099.01	ADAPTOR 3/8" BSP X 1/4" BSP	1
*09	05.990.22	HOSE 1/4"BSP X 1200MM 90 X ST	1
*10	04.056.10	ADAPTOR - TEE 1/4"BSP F/M/M	1
*11	09.507.01	BRACKET - ACCUMULATOR	1
11	05.286.02	NUT M10 PLATED	4
11	05.282.02	SPRING WASHER 10MM PLATED	4
11	05.292.13	BOLT M10 X 100MM PLATED	2
*12	00.858.01	CLAMP - HYDRA-CUSHION	1
12	05.264.13	SETSCREW M10 X 30MM PLATED	2
*13	05.123.01	ADAPTOR 1/2" BSP X 3/8" BSP	1
*14	05.290.05	BONDED SEAL 1/2"BSP	1
*15	06.861.01	ACCUMULATOR 0.7 LTR (30 BAR)	1
*16	06.862.01	PACKER-ACCUMULATOR	1
	72.471.01	CONTROL VALVE	
20	01.407.15	END COVER C.C.	-
20	01.407.17	RELIEF VALVE 172 BAR (2500PSI)	-
20	01.407.20	END COVER O.C.	-
20	01.407.21	INLET COVER ASSY C/W R/V	-
20	05.449.01	SEAL KIT (01407 VALVES)	-
20	05.625.11	SKT CAPSCRW 1/4UNC X 5/8 PLATD	4
*20	07.770.01	VALVE ASSY - 2 SPOOL O.C.	1
20	30.064.21	KONTAK SINGLE SPOOL BANK C1	-
20	30.064.78	VALVE SLICE ASSY D/A	-
*21	05.290.06	BONDED SEAL 3/4"BSP	2
*22	05.128.01	ADAPTOR 3/4" BSP X 3/8" BSP	2
*23	05.290.05	BONDED SEAL 1/2"BSP	4
*24	01.099.03	ADAPTOR 1/2"BSP X 1/4"BSP	4
25	05.282.02	SPRING WASHER 10MM PLATED	4
25	05.286.02	NUT M10 PLATED	4
25	05.291.17	BOLT M10 X 60MM PLATED	3
25	05.292.13	BOLT M10 X 100MM PLATED	1
*25	09.244.01	BRACKET - VALVE	1
	72.472.01	CONTROL VALVE	
*40	08.206.01	REMOTE CONTROL DUAL-AXIS	1
*41	30.207.29	3M CONTROL CABLE (KONTAK VALVE)	2
*42	05.836.26	PAN HD SCREW 1/4"UNC X 3/4" PLTD	4
*43	30.122.63	BOLT, QUICK RELEASE - 2 BANK	2
*44	30.204.40	KNOB, QUICK RELEASE (98 M8 ALLOY)	2
45	05.264.01	SETSCREW M8 X 20MM PLATED	2
45	05.281.01	FLAT WASHER 8MM PLATED	2
45	05.948.07	WING NUT M8 - PLATED	2
*45	09.302.01	PLATE - MOUNTING	1

*MAIN PART IN GROUP, RELATED PARTS HAVE SAME REFERENCE NUMBER



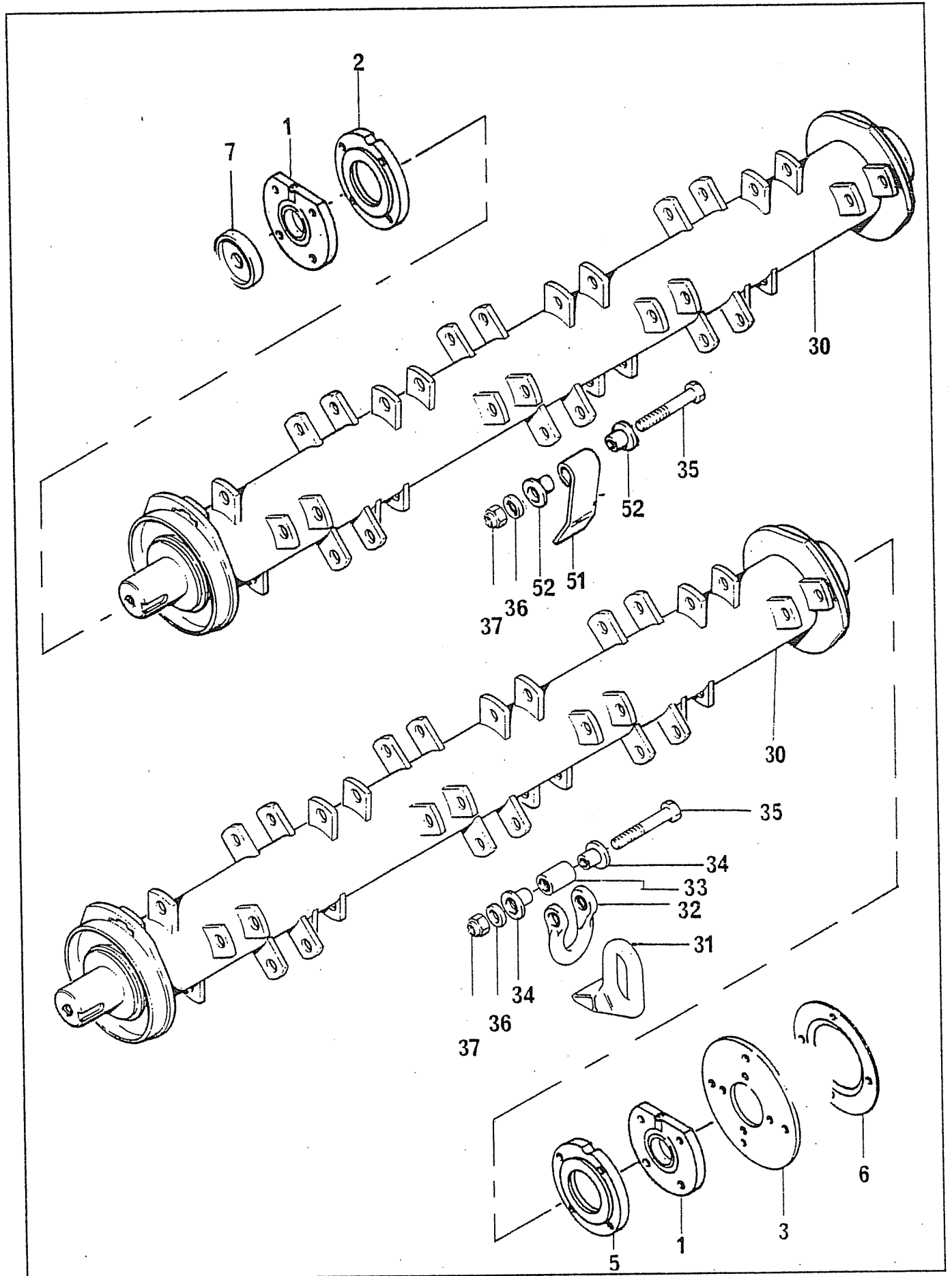
REF	PART NO.	DESCRIPTION	QTY
	72.477.01	RAM/HOSES	
*01	05.290.05	BONDED SEAL 1/2"BSP	4
*02	05.225.01	ADAPTOR-RDCG.1/2"BSP X 3/8"BSP	4
02	05.300.03	PLUG-PLASTIC 1/2"BSP FEMALE	4
*03	05.290.04	BONDED SEAL 3/8"BSP	4
*04	01.099.01	ADAPTOR 3/8"BSP X 1/4" BSP	4
05	03.842.16	SEAL KIT (03842 D/A RAMS)	1
*05	03.842.48	MAINFRAME RAM ASSY D/A 50 BORE X 320 STR	1
*06	05.290.04	BONDED SEAL 3/8"BSP	2
*07	01.099.01	ADAPTOR 3/8"BSP X 1/4"BSP	2
*08	03.028.12	RESTRICTOR 3/8"BSP X 1/4"BSP	1
*09	10.002.34	HOSE 1/4"BSP X 2400MM 90 X ST	2
10	04.156.13	SEAL KIT (04156 D/A RAMS)	1
*10	04.156.41	COWL RAM ASSY D/A 60 BORE X 430 STR	1
*11	05.290.04	BONDED SEAL 3/8"BSP	2
*12	01.099.01	ADAPTOR 3/8"BSP X 1/4" BSP	1
*13	03.028.16	RESTRICTOR 3/8X1/4"BSP 1.00MM	1
*14	10.002.39	HOSE 1/4"BSP X 2900MM 90 X ST	1
*15	10.002.44	HOSE 1/4"BSP X 3400MM 90 X ST	1
	76.006.01	ACCUMULATOR KIT	
*20	8126042	ACCUMULATOR	1
*21	8126035	BULKHEAD NUT (THIN) M33	1
*22	8650322	BONDED SEAL M22	1
*23	8581284	ADAPTOR M22 X 3/8" BSP MF	1
*24	05.290.04	BONDED SEAL 3/8" BSP	2
*25	05.124.01	ADAPTOR 3/8" BSP X 3/8" BSP	1
*26	08.200.01	VALVE-ISOLATING 3/8" BSP	1
*27	01.099.01	ADAPTOR 3/8" BSP X 1/4" BSP	1
*28	04.056.10	ADAPTOR-TEE 1/4" BSP F/M/M	1
*29	10.002.22	HOSE 1/4" BSP ST X 90 S.SEAL 1200	1

*MAIN PART IN GROUP, RELATED PARTS HAVE SAME REFERENCE NUMBER



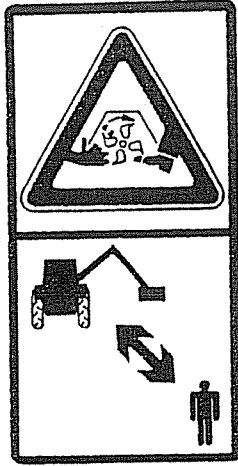
REF	PART NO.	DESCRIPTION	QTY
72.480.01, 72.553.01, 72.554.01 COWL AND ROLLER ASSEMBLIES			
01	03.886.01	STUD M16 X 60MM PLATED	4
01	05.281.04	FLAT WASHER 16MM PLATED	4
01	05.282.04	SPRING WASHER 16MM PLATED	4
01	05.286.04	NUT M16 PLATED	4
*01	09.253.01	COWL - 1500	1
*02	08.297.02	BUSH - PLASTIC 47 X 40 X 40	2
*03	06.545.01	GUARD FLEXIBLE 1612 X 196	1
04	05.264.02	SETSCREW M8 X 25MM PLATED	6
04	05.282.01	SPRING WASHER 8MM PLATED	6
04	05.286.01	NUT M8 PLATED	6
*04	06.546.01	BACKING STRIP - FLEXIBLE GUARD	1
*05	03.654.54	PIN 30 DIA X 130MM	1
05	05.201.07	TENSION PIN 8MM X 45MM PLATED	1
*06	06.545.01	GUARD FLEXIBLE 1612 X 196	1
07	05.264.02	SETSCREW M8 X 25MM PLATED	6
07	05.282.01	SPRING WASHER 8MM PLATED	6
07	05.286.01	NUT M8 PLATED	6
*07	06.546.01	BACKING STRIP - FLEXIBLE GUARD	1
08	05.282.01	SPRING WASHER 8MM PLATED	2
*08	09.249.01	COVER - COWL DRIVE	1
08	30.068.95	SCREW M8 X 12 8.8 GRADE Z/P	2
72.473.01 ROLLER ASSEMBLY			
30	05.264.24	SETSCREW M12 X 35MM PLATED	3
30	05.281.03	FLAT WASHER 12MM PLATED	3
30	05.282.03	SPRING WASHER 12MM PLATED	3
30	05.287.03	SELF-LOCKING NUT M12 PLATED	3
*30	07.822.01	BRACKET - ROLLER 150 LH	1
31	05.264.25	SETSCREW M12 X 40MM PLATED	3
31	05.281.03	FLAT WASHER 12MM PLATED	3
31	05.282.03	SPRING WASHER 12MM PLATED	3
31	05.287.03	SELF-LOCKING NUT M12 PLATE	3
*31	07.822.02	BRACKET - ROLLER 150 RH	1
*32	05.959.05	CIRCLIP - INT 62MM DIA	4
*33	03.007.02	BEARING - BALL 30MM BORE	2
*34	04.164.04	SEAL-LIP 40 DIA X 10MM	2
*35	04.394.01	FLANGE-BEARING RETAINER PLATED	2
35	05.953.01	GREASE NIPPLE M6	4
36	05.234.01	WASHER 44.5 X 13 X 5MM PLATED	2
36	05.264.23	SETSCREW M12 X 30MM PLATED	2
36	05.282.03	SPRING WASHER 12MM PLATED	2
*36	07.826.02	ROLLER 6"DIA - 1500	1

*MAIN PART IN GROUP, RELATED PARTS HAVE SAME REFERENCE NUMBER

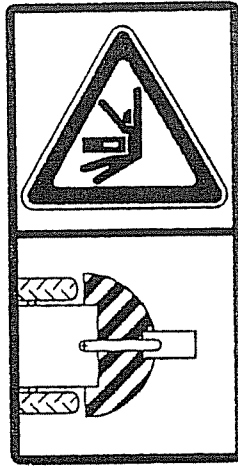


REF	PART NO.	DESCRIPTION	QTY
	72.468.01	ROTOR SHAFTS	
	09.290.01	ROTOR SH.ASY 0923001/0618901CW	1
*30		SHAFT - TUBULAR 1500	1
*35	05.775.02	BOLT M10 X 86MM (FINE)	44
*36	05.282.02	SPRING WASHER 10MM PLATED	44
*37	05.968.02	SELF LOCKING NUT M10 (FINE)	44
*51	06.189.01	FLAIL - FORMED 40 X 8	44
*52	06.192.02	COLLAR 10.5 I/D X 26;19 O/D X 21.5	88
	72.469.01	ROTOR SHAFTS	
	09.288.01	ROTOR SH.ASY 0923001/0295901CW	1
*30		SHAFT - TUBULAR 1500	1
*31	02.959.01	FLAIL - FORGED	44
*32	05.895.01	SHACKLE-FORGED	44
*33	02.807.01	SPACER 1"O/D X 16MM I/D X 27MM	44
*34	02.801.01	COLLAR 10.5 I/D X 26; 15 O/D X 24	88
*35	05.775.02	BOLT M10 X 86MM (FINE)	44
*36	05.282.02	SPRING WASHER 10MM PLATED	44
*37	05.968.02	SELF LOCKING NUT M10 (FINE)	44
	72.474.01	BEARINGS	
01	05.264.24	SETSCREW M12 X 35MM PLATED	4
01	05.282.03	SPRING WASHER 12MM PLATED	4
*01	06.221.01	BEARING ASSEMBLY 40 - BORE	1
02	05.345.05	SOCKET CSK SCREW M12 X 1.75 X 40	1
*02	06.219.01	DISC-SHIELD	1
03	05.264.23	SETSCREW M12 X 30MM PLATED	6
03	05.282.03	SPRING WASHER 12MM PLATED	6
03	05.286.03	NUT M12 PLATED	6
*03	07.125.01	PLATE-BEARING	1
04	05.264.25	SETSCREW M12 X 40MM PLATED	4
04	05.282.03	SPRING WASHER 12MM PLATED	4
*04	06.221.01	BEARING ASSEMBLY 40 - BORE	1
05	02.824.01	WASHER 50 O/D X 13 I/D X 5MM	1
05	05.264.23	SETSCREW M12 X 30MM PLATED	1
05	05.283.03	SHAKEPROOF WASHER 12MM PLATED	1
*05	06.219.01	DISC-SHIELD	1
*06	07.126.01	GUARD-NON DRIVE	1
*07	07.165.01	PLATE-RETAINING	1

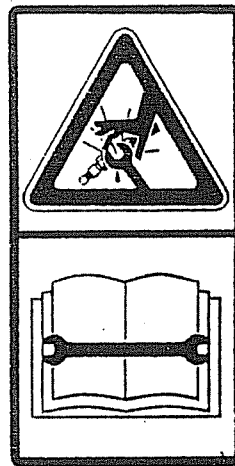
*MAIN PART IN GROUP, RELATED PARTS HAVE SAME REFERENCE NUMBER



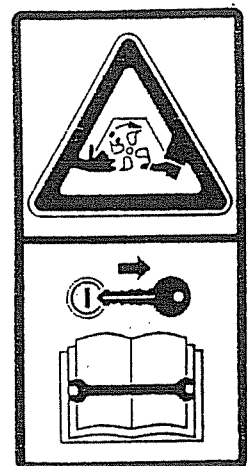
09.821.05



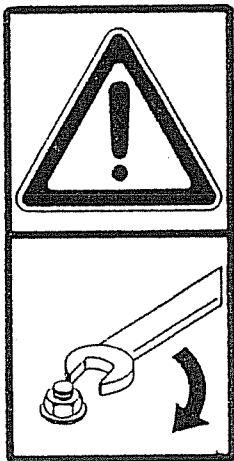
09.821.06



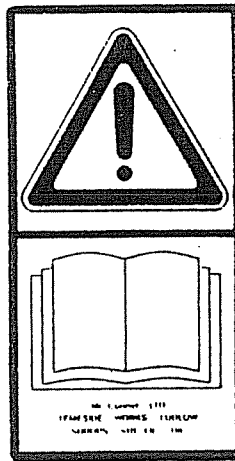
09.821.07



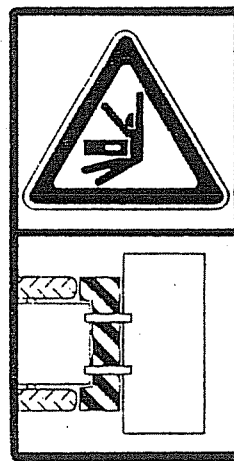
09.821.08



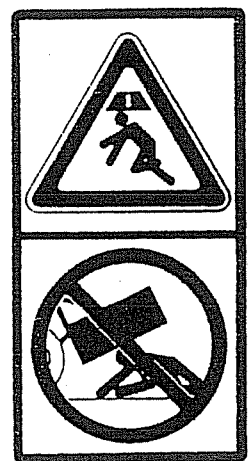
09.821.10



09.821.15



09.821.16



09.821.17



09.821.18



09.821.20



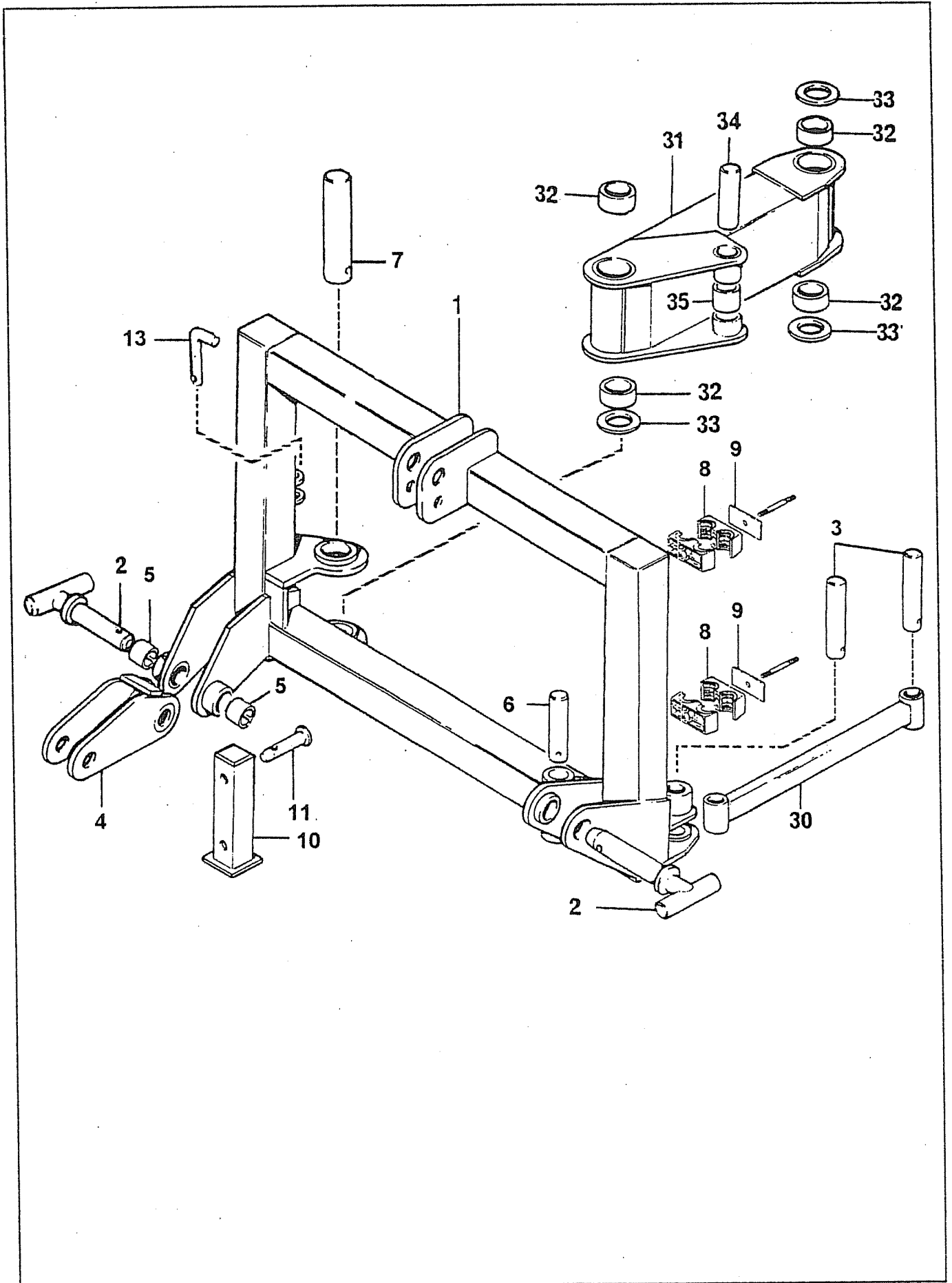
09.821.21

1700

DECALS

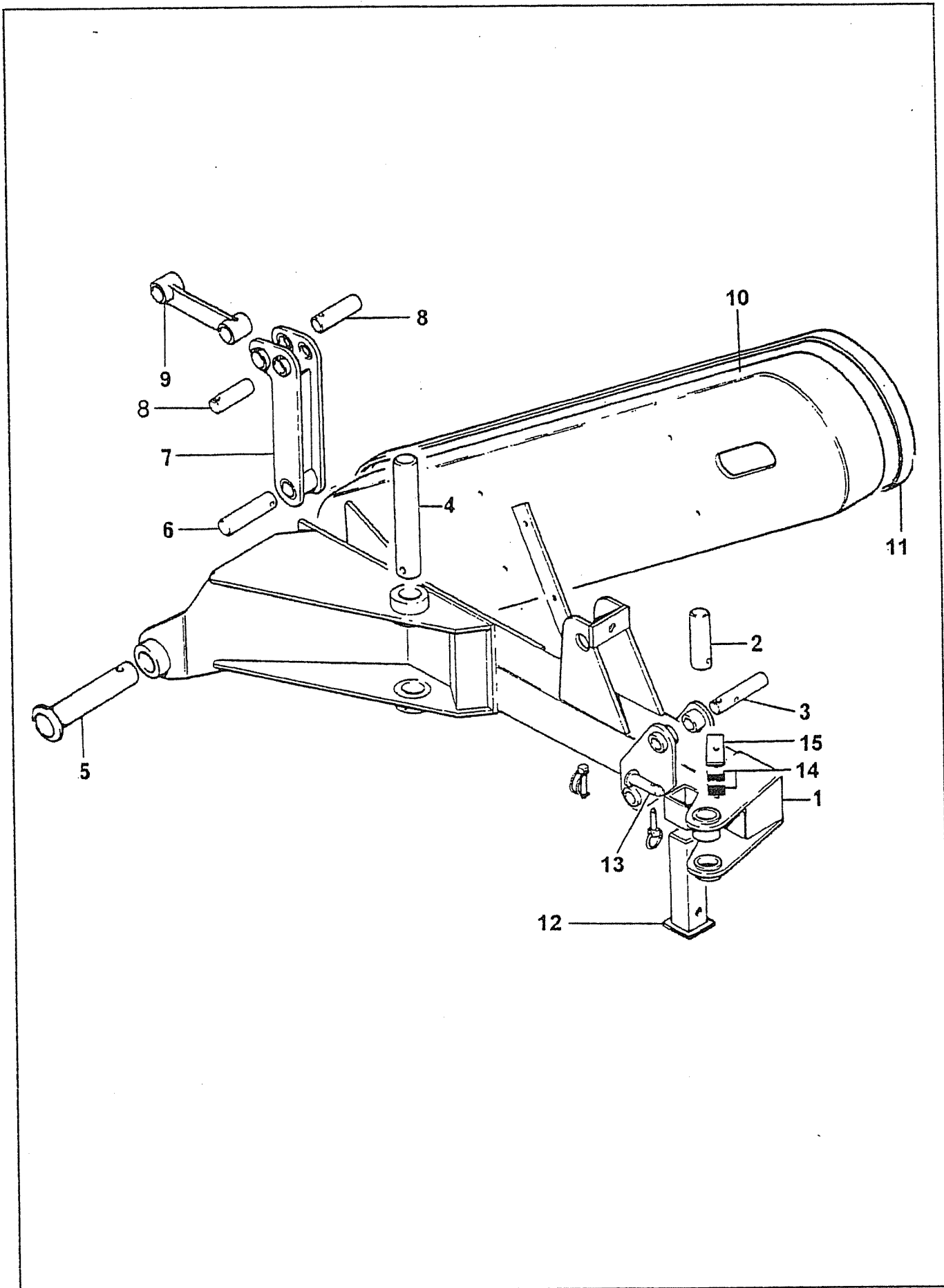
0695

REF	PART NO.	DESCRIPTION	QTY
	72.486.01	DECALS	
01	09.810.01	DECAL - GREASE (8 HOURS)	9
02	09.810.02	DECAL - GREASE (40 HOURS)	4
03	09.837.01	DECAL - BOMFORD	2
04	09.843.04	DECAL - LIFT POINT 750 KG	1



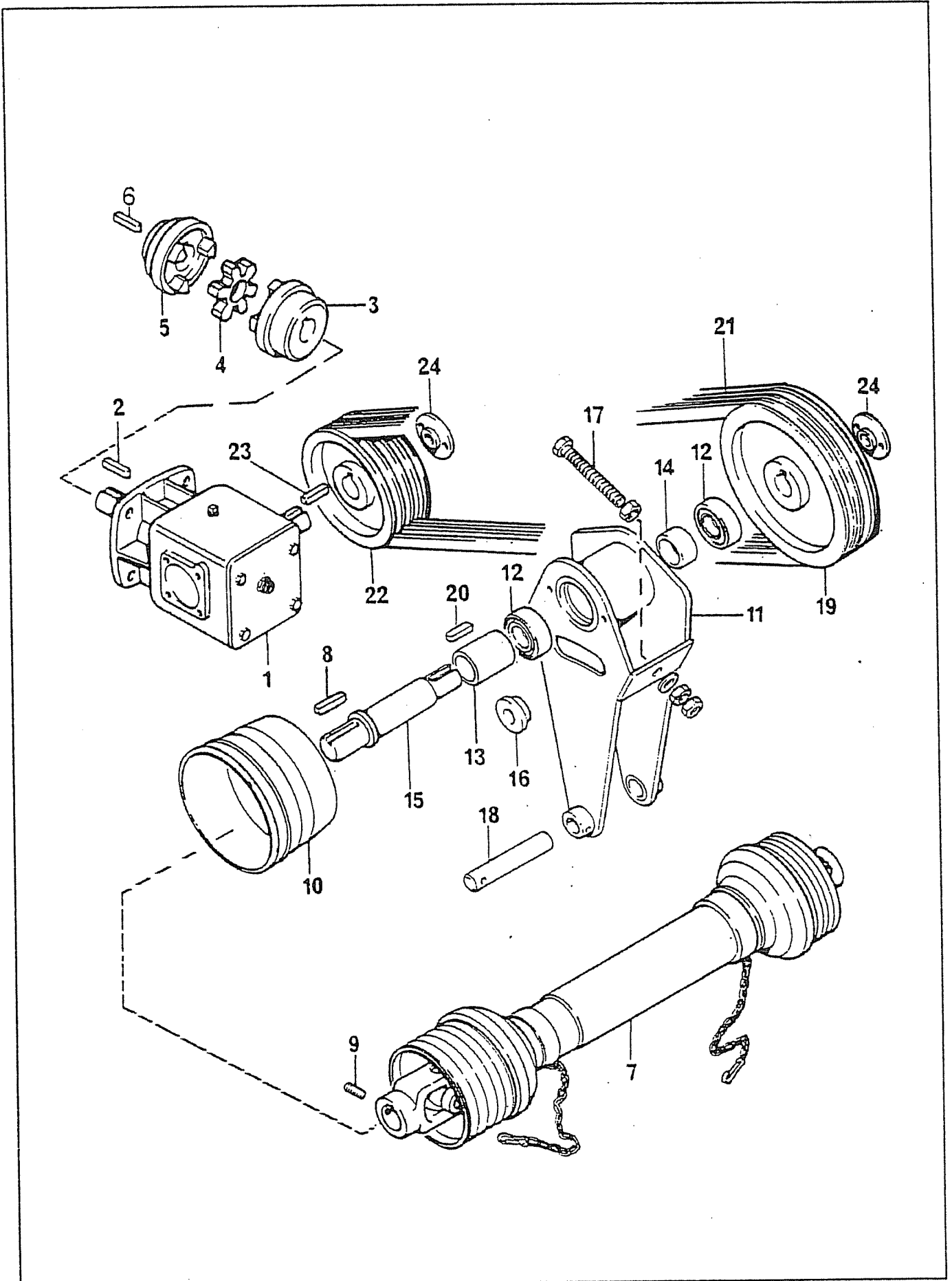
REF	PART NO.	DESCRIPTION	QTY
	76.019.01	MAINFRAME	
*01	41.298.01	MAINFRAME-REAR	1
01	05.774.05	SERIAL NUMBER	1
01	05.227.01	HAMMER DRIVE SCREW 6T 3/8"	4
02	00.372.01	LINCH PIN	2
*02	41.281.01	PIN 1.1/18" DIA - 140	2
*03	03.654.19	PIN 30 DIA X 153MM	1
03	05.953.01	GREASE NIPPLE M6	1
03	03.786.01	INSTRUCTION PLATE-GREASE M6	1
03	05.201.07	TENSION PIN 8MM X 45MM	1
*04	09.241.01	LINK-BREAKOUT	1
*05	02.771.06	TENSION BUSH 35 X 30 X 30	2
06	03.786.01	INSTRUCTION PLATE-GREASE M6	1
06	05.201.07	TENSION PIN 8MM X 45MM	1
*06	03.653.54	PIN 25 DIA X 129	1
06	05.953.03	GREASE NIPPLE M10	1
07	03.786.01	INSTRUCTION PLATE - GREASE M6	1
07	05.953.01	GREASE NIPPLE M6	1
*07	03.653.74	PIN 40 DIA - 306	1
07	05.282.02	SPRING WASHER 10MM	1
07	05.286.02	NUT M10 PLATE	1
07	05.292.11	BOLT M10 X 80MM	1
08	04.282.30	STUD M8 X 85	2
08	05.281.01	FLAT WASHER 8MM	2
08	05.282.01	SPRING WASHER 8MM	2
08	05.286.01	NUT M8	2
*08	06.430.02	CLAMP HOSE 14 X 14	8
*09	06.418.02	CLAMP PLATE 30 X 6	2
*10	41332.01	STAND	1
11	00.372.01	LINCH PIN	1
*11	03.652.01	PIN 20 DIA X 90	1
12	03.786.01	INSTRUCTION PLATE - GREASE M6	1
12	05.953.01	GREASE NIPPLE M6	1
12	05.201.07	TENSION PIN 8MM X 45MM	1
*12	03.654.71	PIN 16 DIA X 30MM	1
*13	03.651.18	PIN 16 DIA X 80MM	1
13	05.964.01	SPRING COTTER 3.6MM DIA	1
	74.992.01	SWING LINKS	
*30	09.237.01	LINK-SWING	1
*31	41.246.01	LINK-SWING RAM	1
*32	08.297.02	BUSH-PLASTIC 47 X 40 X 40	4
*33	09.232.01	THRUST WASHER	3
*34	03.653.65	PIN 25 DIA X 252	1
34	05.201.07	TENSION PIN 8MM X 45MM	1
34	05.953.01	GREASE NIPPLE M6	1
34	03.786.01	INSTRUCTION PLATE - GREASE M6	1

*MAIN PART IN GROUP, RELATED PARTS HAVE SAME REFERENCE NUMBER



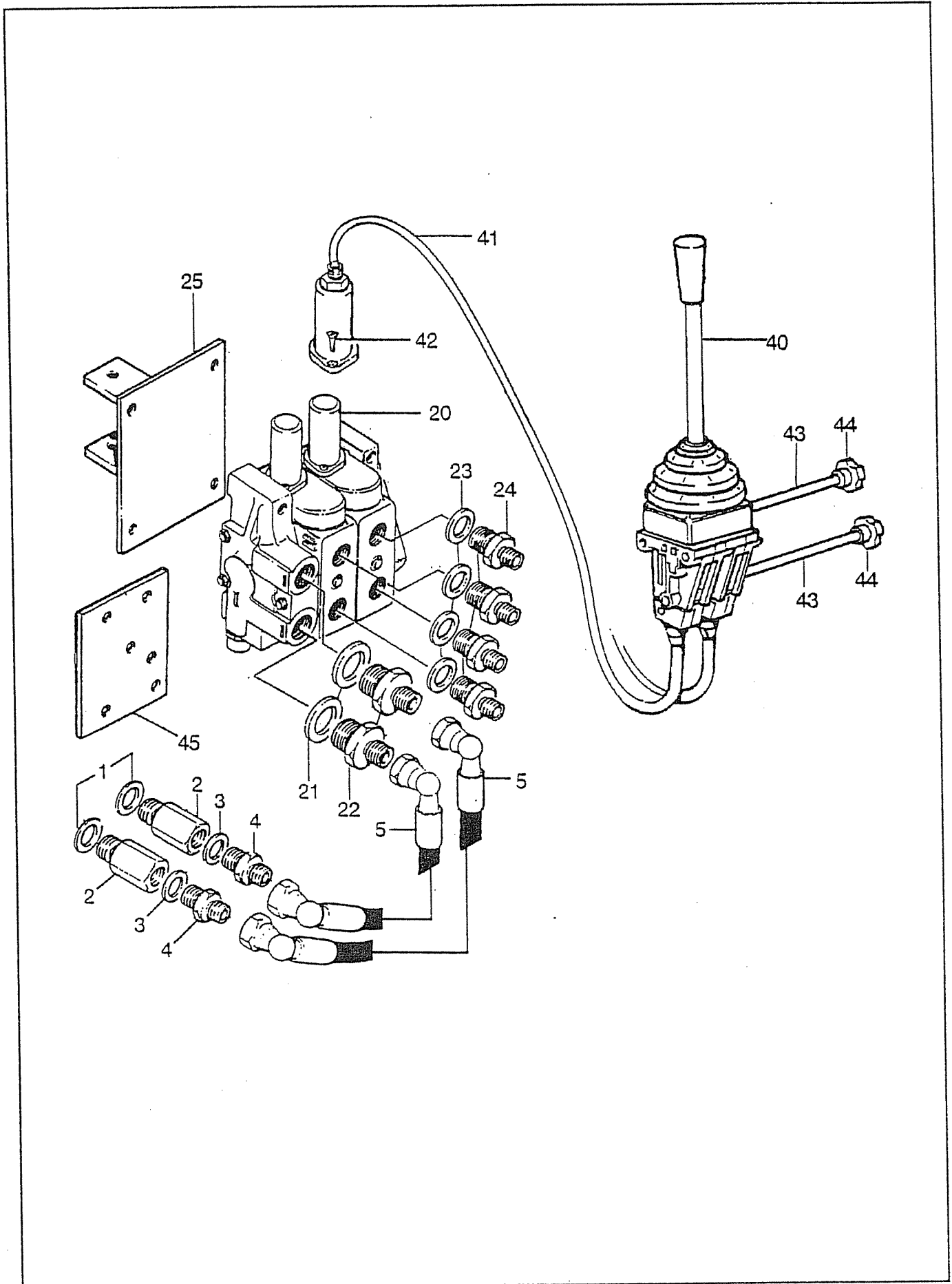
REF	PART NO.	DESCRIPTION	QTY
	76.020.01	ARM ASSEMBLY	
*01	41.256.01	ARM	1
*02	03.654.70	PIN 30 DIA - 194	1
02	03.786.01	INSTRUCTION PLATE-GREASE M6	1
02	05.201.07	TENSION PIN 8MM X 45MM	1
02	05.953.01	GREASE NIPPLE M6	1
03	05.282.01	SPRING WASHER 8MM	1
03	05.286.01	NUT M8	1
*03	03.654.69	PIN 30 DIA - 150	1
03	05.291.06	BOLT M8 X 55MM	1
*04	03.656.75	PIN 40 DIA - 333	1
04	03.786.02	INSTRUCTION PLATE-GREASE M10	1
04	05.282.02	SPRING WASHER 10MM	1
04	05.286.02	NUT M10	1
04	05.292.11	BOLT M10 X 80MM	1
05	05.953.03	GREASE NIPPLE M10	1
05	03.786.02	INSTRUCTION PLATE-GREASE M10	1
05	05.282.02	SPRING WASHER 10MM	1
05	05.286.02	NUT M10	1
05	05.292.11	BOLT M10 X 80MM	1
05	05.953.03	GREASE NIPPLE M10	1
*05	03.656.73	PIN 40 DIA - 310	1
*06	02.837.01	PIN 30 DIA X 135MM	1
06	04.175.01	STUD M10 X 29MM	1
06	05.281.02	FLAT WASHER 10MM PLATE FORM C	1
06	05.968.02	SELF-LOCKING NUT M10 (FINE)	1
07	03.786.01	INSTRUCTION PLATE-GREASE M6	1
07	05.953.01	GREASE NIPPLE M6	1
*07	41.241.01	LINK-RAM	1
*08	03.654.53	PIN 30 DIA X 98MM	2
08	05.201.11	TENSION PIN 5MM X 45MM	2
09	03.786.01	INSTRUCTION PLATE-GREASE M6	1
09	05.953.01	GREASE NIPPLE M6	1
*09	41.060.01	LINK-COWL	1
10	05.282.02	SPRING WASHER 10MM	4
10	05.264.12	SETSCREW M10 X 25MM	4
*10	41.243.01	GUARD-REAR	1
11	05.282.02	SPRING WASHER 10MM	4
11	05.264.11	SETSCREW M10 X 20MM	4
*11	09.246.01	GUARD-COVER REAR RH	1
*12	41332.01	STAND	1
13	00.372.01	LINCH PIN	1
*13	03.652.01	PIN 20 DIA X 90	1
14	04.282.32	FLAT WASHER 8MM	1
14	05.281.01	SPRING WASHER 8MM	1
14	05.286.01	NUT M8	2
*14	06.43.02	CLAMP HOSE 14 X 14	2
*15	06.418.02	CLAMP PLATE 30 X 6	1

*MAIN PART IN GROUP, RELATED PARTS HAVE SAME REFERENCE NUMBER



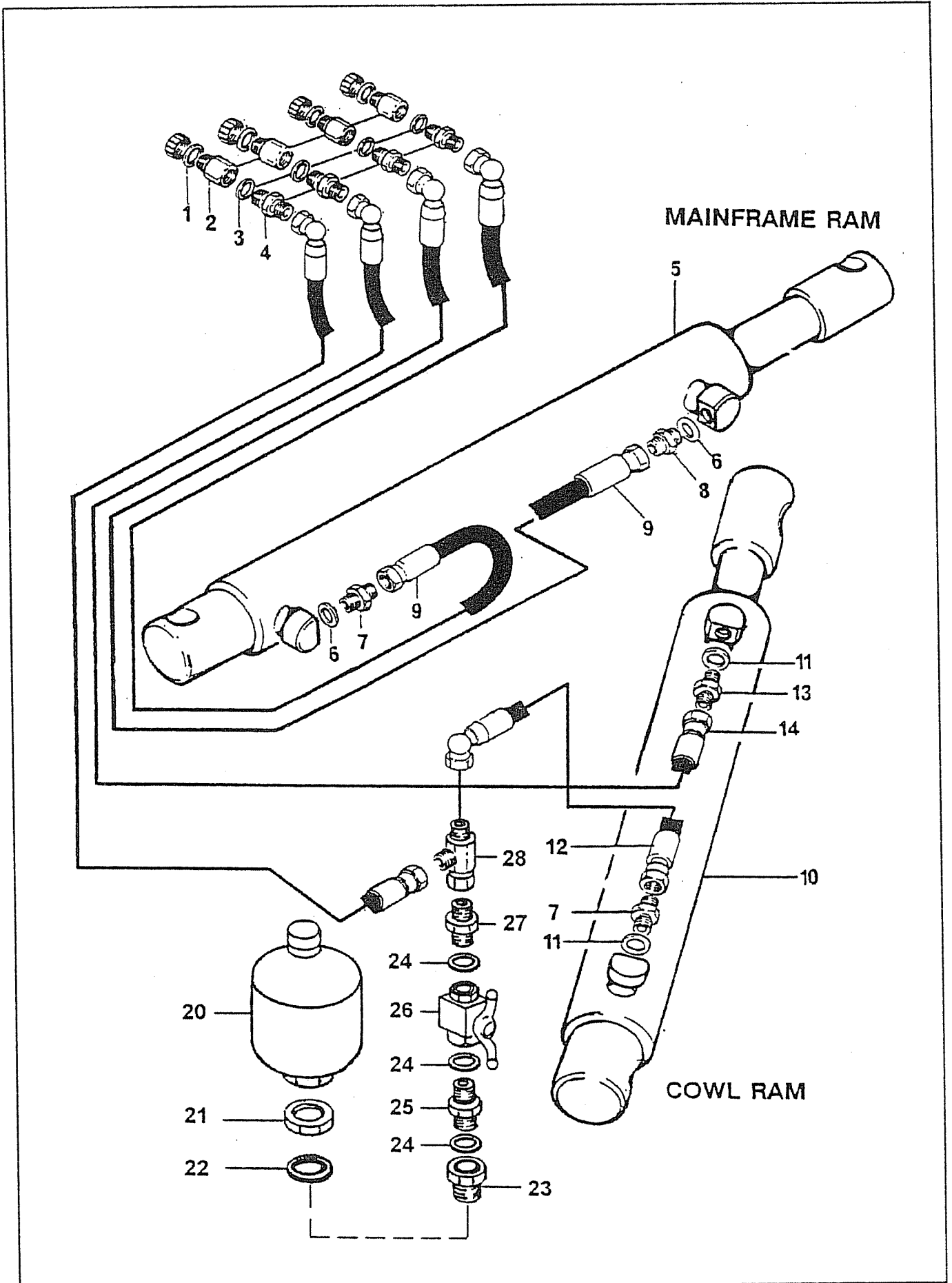
REF	PART NO.	DESCRIPTION	QTY
	74.993.01	GEARBOX ASSEMBLY	
01	02.824.01	WASHER 50 O/D X 13 I/D X 6MM	1
01	05.264.24	SETSCREW M12 X 35MM	1
01	05.282.03	SPRING WASHER 12MM	1
*01	09.250.01	GEARBOX ASSEMBLY COMER RH	1
*02	05.960.22	KEY-REP 10 X 8 X 58	1
03	05.388.01	SCKT GRUBSCREW M8 X 25MM CONE PT	2
*03	41.250.02	HUB-COUPLING	1
*04	41.250.04	DRIVE-COUPLING	1
*05	41.250.03	HUB-COUPLING	1
*06	05.960.13	KEY-S/REP 14MM X 9MM X 45MM	1
	74.478.01	PTO SHAFT ASSEMBLY	
07	04.402.04	PTO GUARD ASSY 685MM C/C	-
*07	04.402.37	PTO SHAFT ASSY 810MM C/C	1
07	06.154.13	PTO JOURNAL BEARING KIT	-
*08	05.960.16	KEY-S/REP 12MM X 8MM X 40MM	1
*09	05.388.05	SOCKET GRUBSCREW M12 X 1.75 X 12MM	1
	76.027.01	DRIVE BRACKET, PULLEYS AND BELTS	
10	05.264.11	SETSCRW M10 X 20MM	2
10	05.281.02	FLAT WASHER 10MM	2
10	05.282.02	SPRING WASHER 10MM	2
*10	09.236.01	GUARD-PLASTIC PTO	1
*11	41.259.01	BRACKET-DRIVE REAR	1
*12	03.007.06	BEARING-BALL 40MM BORE	2
*13	41.258.01	SPACER 50 O/D X 40.2 I/D - 94	1
*14	09.264.01	SPACER 50 O/D X 40.2 I/D - 26	1
15	05.264.01	SETSCREW M12 X 35,,	1
15	05.282.03	SPRING WASHER 12MM	2
*15	41.260.01	SHAFT-PULLEY, PTO	1
16	05.264.34	SETSCREW M16 X 35MM	1
16	05.282.04	SPRING WASHER 16MM	1
*16	09.263.01	COLLAR-CLAMP	1
17	05.281.04	FLAT WASHER 16MM	4
17	05.286.04	NUT M16	3
*17	09.298.01	BOLT-ADJUSTMENT	1
17	05.264.01	SETSCREW M8 X 25MM	4
17	05.282.01	SPRING WASHER 8MM	4
*18	03.653.63	PIN 25 DIA X 186MM	1
18	05.201.07	TENSION PIN 8MM X 45MM	1
*19	41.245.01	PULLEY-250 PCD X 4 SPB	1
*20	05.960.03	KEY-SEP 10MM X 8MM X 50MM	1
*21	05.299.51	BELT XPB 2500 QUAD POWER GATES	4
*22	41.244.01	PULLEY - 180 X 4 SPB	1
*23	05.960.22	KEY-REP 10 X 8 X 58	1
*24	09.297.01	WASHER 75 O/D X 13 I/D X 6	2

*MAIN PART IN GROUP, RELATED PARTS HAVE SAME REFERENCE NUMBER



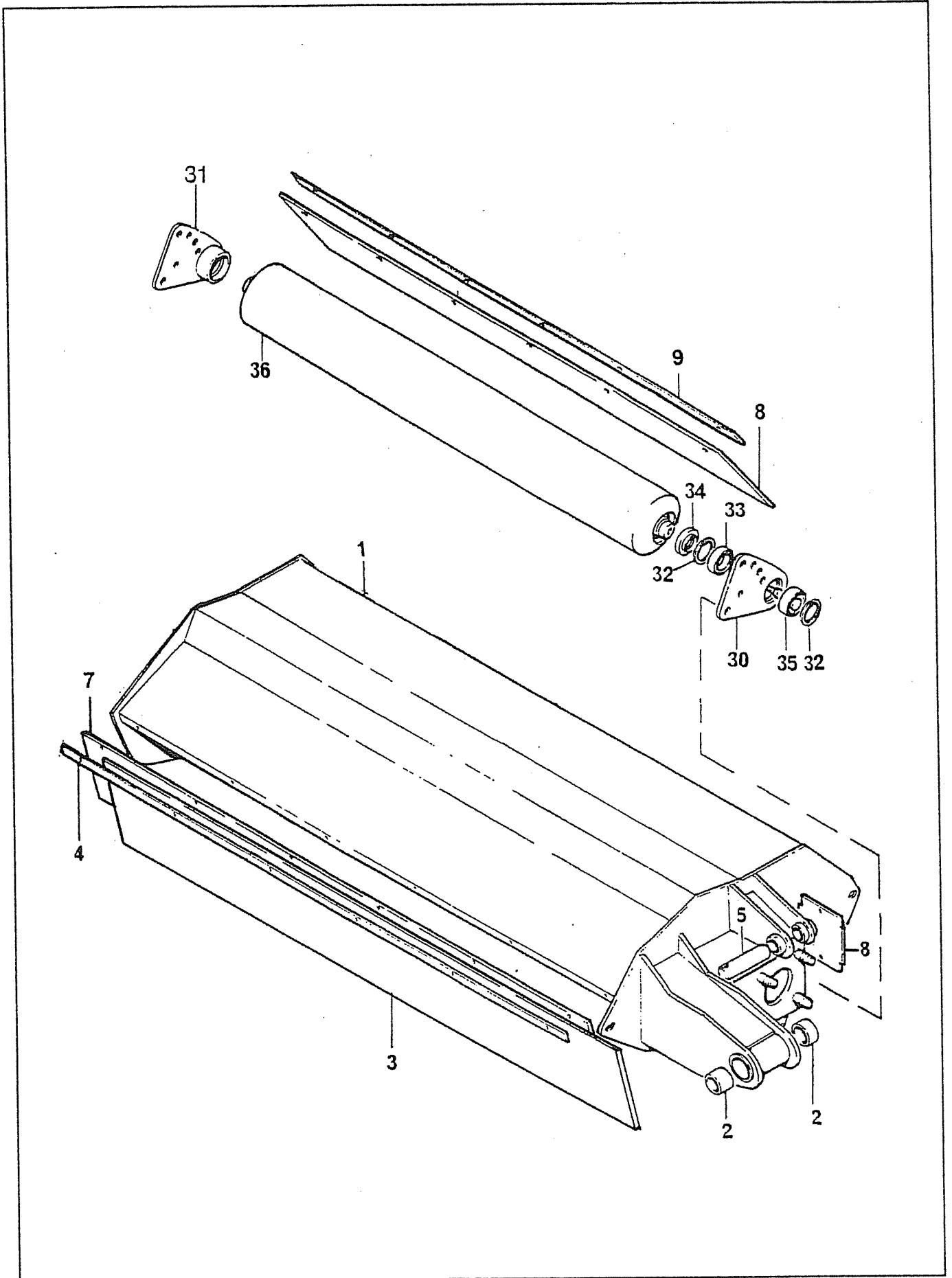
REF	PART NO.	DESCRIPTION	QTY
	72.470.01	CONTROL INSTALLATION KIT	
*01	05.290.05	BONDED SEAL 1/2"BSP	2
*02	05.225.01	ADAPTOR-RDCG.1/2"BSP X 3/8"BSP	2
02	05.300.03	PLUG-PLASTIC 1/2"BSP FEMALE	2
*03	05.290.04	BONDED SEAL 3/8"BSP	2
*04	05.124.01	ADAPTOR 3/8" BSP X 3/8" BSP	2
*05	05.991.30	HOSE 3/8"BSP X 2000M X 90 - ST	2
	72.471.01	CONTROL VALVE	
20	01.407.15	END COVER C.C.	-
20	01.407.17	RELIEF VALVE 172 BAR (2500PSI)	-
20	01.407.20	END COVER O.C.	-
20	01.407.21	INLET COVER ASSY C/W R/V	-
20	05.449.01	SEAL KIT (01407 VALVES)	-
20	05.625.11	SKT CAPSCRW 1/4UNC X 5/8 PLATD	4
*20	07.770.01	VALVE ASSY - 2 SPOOL O.C.	1
20	30.064.21	KONTAK SINGLE SPOOL BANK C1	-
20	30.064.78	VALVE SLICE ASSY D/A	-
*21	05.290.06	BONDED SEAL 3/4"BSP	2
*22	05.128.01	ADAPTOR 3/4" BSP X 3/8" BSP	2
*23	05.290.05	BONDED SEAL 1/2"BSP	4
*24	01.099.03	ADAPTOR 1/2"BSP X 1/4"BSP	4
25	05.282.02	SPRING WASHER 10MM PLATED	4
25	05.286.02	NUT M10 PLATED	4
25	05.291.17	BOLT M10 X 60MM PLATED	3
25	05.292.13	BOLT M10 X 100MM PLATED	1
*25	09.244.01	BRACKET - VALVE	1
	72.472.01	CONTROL VALVE	
*40	08.206.01	REMOTE CONTROL DUAL-AXIS	1
*41	30.207.29	3M CONTROL CABLE (KONTAK VALVE)	2
*42	05.836.26	PAN HD SCREW 1/4"UNC X 3/4" PLTD	4
*43	30.122.63	BOLT, QUICK RELEASE - 2 BANK	2
*44	30.204.40	KNOB, QUICK RELEASE (98 M8 ALLOY)	2
45	05.264.01	SETSCREW M8 X 20MM PLATED	2
45	05.281.01	FLAT WASHER 8MM PLATED	2
45	05.948.07	WING NUT M8 - PLATED	2
*45	09.302.01	PLATE - MOUNTING	1

*MAIN PART IN GROUP, RELATED PARTS HAVE SAME REFERENCE NUMBER



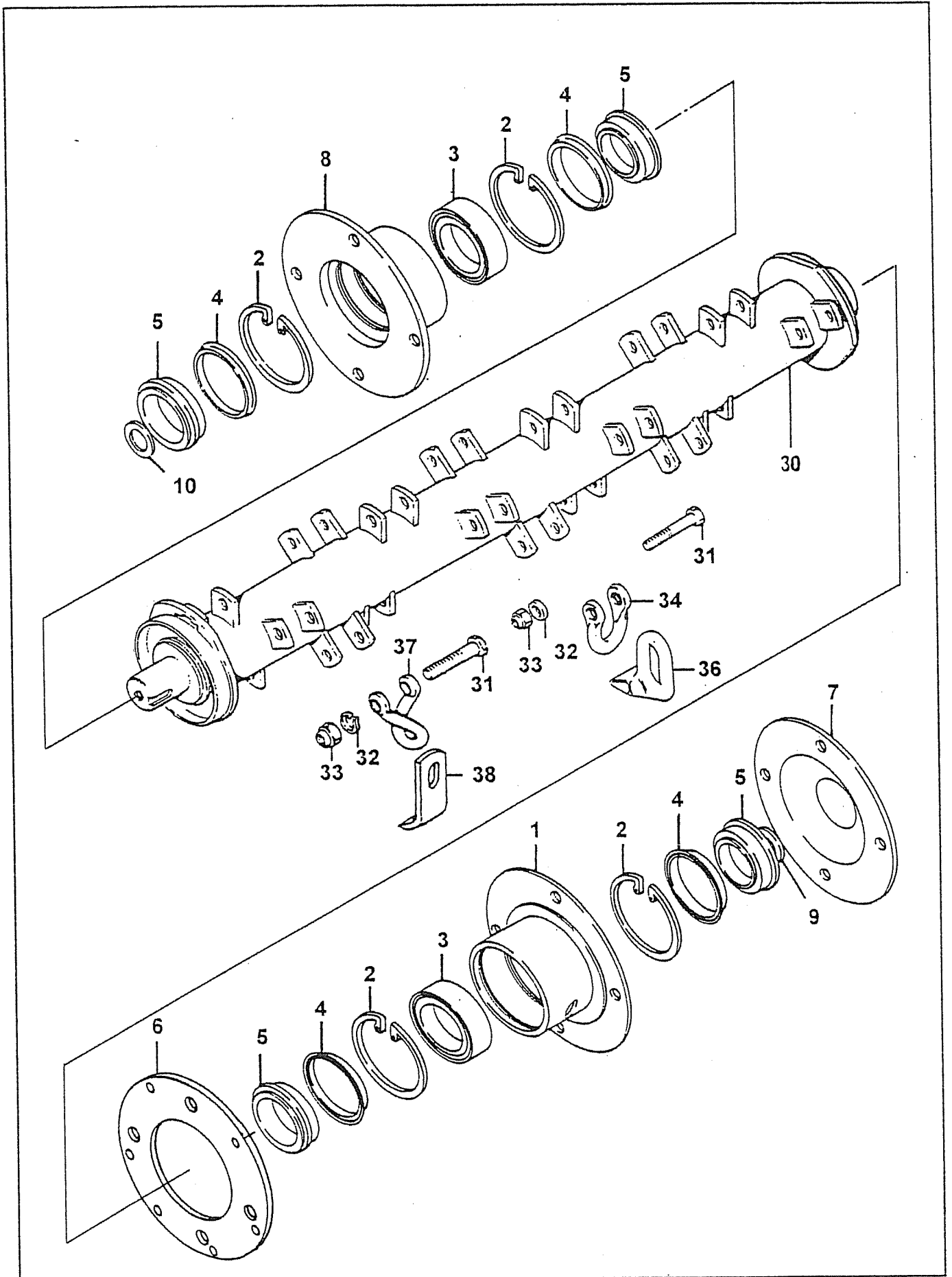
REF	PART NO.	DESCRIPTION	QTY
	74.984.01	RAMS/HOSES	
*01	05.290.05	BONDED SEAL 1/2" BSP	4
*02	05.225.01	ADAPTOR-RDCG 1/2" BSP X 3/8" BSP	4
02	05.300.03	PLUG-PLASTIC 1.2" BSP FEMALE	4
*03	05.290.04	BONDED SEAL 3/8" BSP	4
*04	01.099.01	ADAPTOR 3/8" BSP X 1/4" BSP	4
05	03.842.16	SEAL KIT (03842 D/A RAMS)	-
*05	03.842.48	RAM ASSY D/A 50 BORE X 320 STR	1
*06	05.290.04	BONDED SEAL 3/8" BSP	2
*07	01.099.01	ADAPTOR 3.8" BSP X 1/4" BSP	1
*08	03.028.12	RESTRICTOR 3/8" X 1/4" BSP 1.70	1
*09	10.002.34	HOSE 1/4" BSP ST X 90 S.SEAL 2400	-
10	09.993.01	SEAL KIT FOR 09.993.XX RAMS	-
10	05.953.01	GREASE NIPPLE M6	2
*10	09.993.04	RAM ASSY DIA 80 BORE	1
*11	05.290.04	BONDED SEAL 3/8" BSP	2
*12	03.028.16	RESTRICTOR 3/8" X 1/4" BSP 1.00MM	1
*13	01.099.01	ADAPTOR 3.8" BSP X 1/4" BSP	1
*14	10.002.28	HOSE 1/4" BSP ST X 90 S.SEAL 1800	1
*15	10.002.44	HOSE 1/4" BSP ST X 90 S.SEAL 3400	1
	76.006.01	ACCUMULATOR KIT	
*20	8126042	ACCUMULATOR	1
*21	8126035	BULKHEAD NUT (THIN) M33	1
*22	8650322	BONDED SEAL M22	1
*23	8581284	ADAPTOR M22 X 3/8" BSP MF	1
*24	05.290.04	BONDED SEAL 3/8" BSP	2
*25	05.124.01	ADAPTOR 3/8" BSP X 3/8" BSP	1
*26	08.200.01	VALVE-ISOLATING 3/8" BSP	1
*27	01.099.01	ADAPTOR 3/8" BSP X 1/4" BSP	1
*28	04.056.10	ADAPTOR-TEE 1/4" BSP F/M/M	1
*29	10.002.22	HOSE 1/4" BSP ST X 90 S.SEAL 1200	1

*MAIN PART IN GROUP, RELATED PARTS HAVE SAME REFERENCE NUMBER



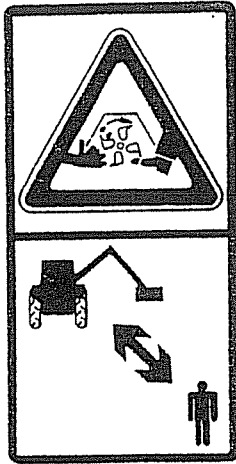
REF	PART NO.	DESCRIPTION	QTY
	74.986.01	COWL ASSEMBLY	
01	03.886.01	STUD M16 X 60MM	4
01	05.281.04	FLAT WASHER 16MM	4
01	05.282.04	SPRING WASHER 16MM	4
01	05.286.04	NUT M16	4
*01	41.249.01	COWL-2000	1
*02	08.297.02	BUSH-PLASTIC 47 X 40 X 40	2
*03	41.064.01	GUARD FLEXIBLE 2000	1
04	05.282.01	SPRING WASHER 8MM	8
04	05.291.01	BOLT M8 X 30MM	8
*04	41.237.01	BACKING STRIP	1
05	05.282.01	SPRING WASHER 8MM	1
05	05.286.01	NUT M8	1
*05	03.654.54	PIN 30 DIA X 121MM	1
05	05.291.06	BOLT M8 X 55MM	1
06	05.282.01	SPRING WASHER 8MM	2
06	30.068.95	SCREW M8 X 12 8.8 GRADE Z/P	2
*06	41.070.01	COVER-COWL DRIVE	1
*07	41.063.01	GUARD-FLEXIBLE 2000	1
*08	41.064.01	GUARD-FLEXIBLE 2000	1
09	05.282.01	SPRING WASHER 8MM	8
*09	41.237.01	BACKING STRIP	1
09	05.286.01	NUT M8	8
09	05.291.02	BOLT M8 X 35MM	8
	74.985.01	ROLLER ASSEMBLY	
30	05.264.24	SETSCREW M12 X 35MM	2
30	05.264.25	SETSCREW M12 X 40MM	1
30	05.282.03	SPRING WASHER 12MM	3
*30	09.898.01	BRACKET-ROLLER 150 LH	1
30	05.286.03	NUT M12	1
31	05.264.24	SETSCREW M12 X 35MM	3
31	05.282.03	SPRING WASHER 12MM	3
31	05.286.03	NUT M12	3
*31	09.898.02	BRACKET-ROLLER 150 RH	1
*32	05.959.05	CIRCLIP-INT 62MM DIA	4
*33	03.007.02	BEARING-BALL 30MM BORE	2
*34	04.164.04	SEAL-LIP 40 DIA X 10MM	2
*35	04.394.01	FLANGE-BEARING RETAINER	2
35	05.953.01	GREASE NIPPLE M6	4
36	05.282.03	SPRING WASHER 12MM	2
36	05.234.01	WASHER 44.5 X 13 X 5MM	2
36	05.264.23	SETSCREW M12 X 30MM	2
*36	09.878.07	ROLLER 6" DIA	1

*MAIN PART IN GROUP, RELATED PARTS HAVE SAME REFERENCE NUMBER

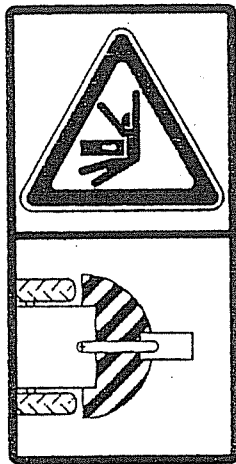


REF	PART NO.	DESCRIPTION	QTY
	74.994.01	BEARING ASSEMBLY	
*01	04.268.01	HOUSING-BEARING	1
01	05.264.24	SETSCREW M12 X 35MM	4
01	05.282.03	SPRING WASHER 12MM	4
01	05.286.03	NUT M12	4
01	05.953.03	GREASE NIPPLE M10	1
*02	05.959.07	CIRCLIP-INT 85MM DIA	4
*03	04.163.04	BEARING-SPH. ROLLER 45MM BORE	2
*04	06.909.01	SPACER-SEAL	4
*05	06.910.01	COLLAR-SEAL	4
06	05.282.03	SPRING WASHER 12MM	5
06	05.286.03	NUT M12	5
06	05.264.23	SETSCREW M12 X 30MM	5
*06	41.238.01	PLATE-BEARING	1
*07	00.876.02	BEARING COVER	1
08	05.282.03	SPRING WASHER 12MM	4
08	05.286.03	NUT M12	4
08	05.264.24	SETSCREW M12 X 35MM	4
*08	41.240.01	BEARING HOUSING DRIVE	1
*09	04.252.01	WASHER 65 O/D X 17 I/D X 8MM	1
09	05.264.33	SETSCREW M16 X 30MM	1
09	05.283.04	SHAKEPROOF WASHER 16MM	1
10	05.345.08	SOCKET CSK SCREW M16 X 2.0 X 30	1
*10	41.257.01	WASHER 50 X 6	1
	76.021.01	ROTOR SHAFT ASSEMBLY	
	41329.01	ROTOR SH. ASSY 4129901/0295901	1
*30		SHAFT TUBULAR - 2000	-
*31	05.775.10	BOLT-SPECIAL M14 X 94MM	54
*32	05.282.08	SPRING WASHER 14MM	54
*33	05.968.06	S.LOCKING NUT M14 (FINE) PLATE	54
*34	09.518.01	SHACKLE-LONG	54
*36	02.959.01	FLAIL-FORGED	54
	76.022.01	ROTOR SHAFT ASSEMBLY	
	41330.01	ROTOR SH. ASSY 4129901/0295901	1
*30		SHAFT TUBULAR - 2000	-
*31	05.775.10	BOLT-SPECIAL M14 X 94MM	54
*32	05.282.08	SPRING WASHER 14MM	54
*33	05.968.06	S.LOCKING NUT M14 (FINE) PLATE	54
*37	09.516.01	SHACKLE-TWISTED	54
*38	02.527.01	FLAIL 40 X 12	54

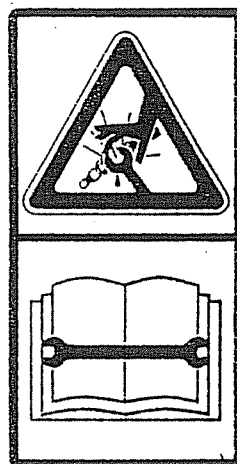
*MAIN PART IN GROUP, RELATED PARTS HAVE SAME REFERENCE NUMBER



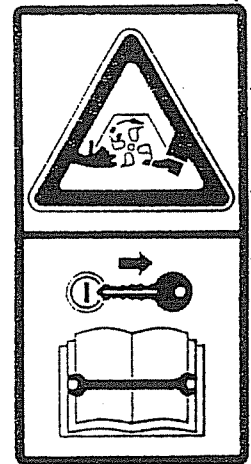
09.821.05



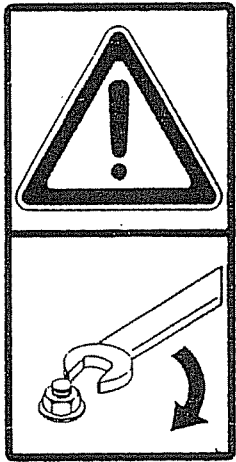
09.821.06



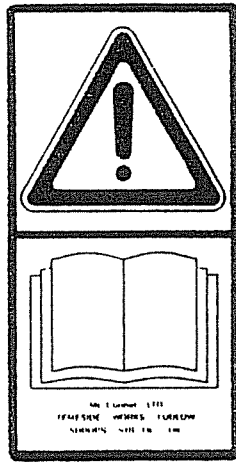
09.821.07



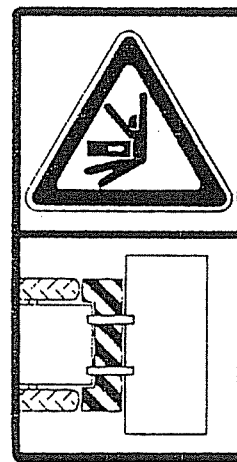
09.821.08



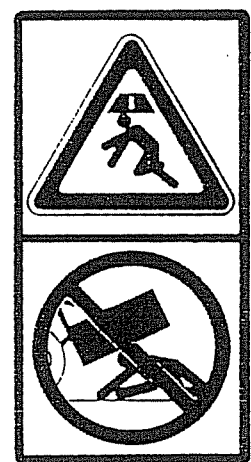
09.821.10



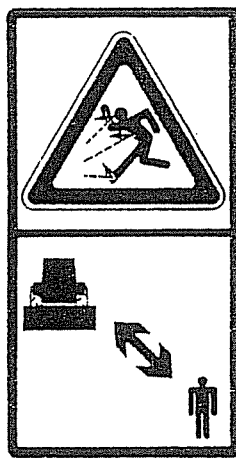
09.821.15



09.821.16



09.821.17



09.821.18



09.821.20



09.821.21

REF	PART NO.	DESCRIPTION	QTY
	76.023.01	DECALS	
01	09.092.01	DECAL-BOMFORD	2
03	09.852.01	DECAL-ARM FLOAT	1
04	09.843.04	DECAL-LIFT POINT 750 KG	1
05	09.821.21	DECAL-FALLING WING	1
06	09.821.20	DECAL-SHAFT ENTANGLEMENT	1
07	09.821.18	DECAL-THROWN DEBRIS	1
08	09.821.17	DECAL-UNSUPPORTED MACHINE	1
09	09.921.16	DECAL-KEEP OUT ZONE	1
10	09.821.01	DECAL-READ INSTRUCTION BOOK	1
11	09.821.10	DECAL-KEEP NUTS TIGHT	1
12	09.821.08	DECAL-SAFE WORKING ON HEAD	1
13	09.821.07	DECAL-RESIDUAL PRESSURE	1
14	09.821.06	DECAL-SLEW DANGER	1
15	09.821.05	DECAL-CUTTING HEAD DANGER	1
16	09.811.02	DECAL-MAX PTO SPEED 1000	1
17	09.810.02	DECAL-GREASE (40 HOURS)	4
18	09.810.01	DECAL-GREASE (8 HOURS)	9