

PM931

B1100

1500

TRAILED MOWER

PARTS MANUAL

ISSUE 2

IMPORTANT

NOTE HERE THE SERIAL NUMBER OF YOUR MACHINE AND ALWAYS QUOTE IT IN ANY COMMUNICATION WITH US OR YOUR DEALER. THIS IS PARTICULARLY IMPORTANT WHEN ORDERING SPARES. REMEMBER TO INCLUDE ALL NUMBERS AND LETTERS.

MACHINE SERIAL NUMBERS _____

THE INFORMATION GIVEN THROUGHOUT THIS MANUAL IS CORRECT AT THE TIME OF PUBLICATION. HOWEVER, IN THE COURSE OF CONSTANT DEVELOPMENT OF BOMFORD TURNER MACHINES, CHANGES IN SPECIFICATION ARE INEVITABLE. SHOULD YOU FIND THE INFORMATION GIVEN IN THIS BOOK TO BE AT VARIANCE WITH THE MACHINE IN YOUR POSSESSION, YOU ARE ADVISED TO CONTACT THE BOMFORD TURNER SERVICE DEPARTMENT WHERE UP-TO-DATE INFORMATION WILL BE PROVIDED.

THE MANUAL CAN CONTAIN STANDARD AND OPTIONAL FEATURES AND IS NOT TO BE USED AS A MACHINE SPECIFICATION.

THE MACHINE HAS BEEN TESTED AND IS CONSIDERED SAFE IF CAREFULLY USED. ENSURE YOUR OPERATOR IS PROPERLY TRAINED IN ITS USE AND MAINTENANCE.

IMPORTANT

NOTEZ ICI LES NUMEROS DE SERIE DE VOTRE MACHINE ET MENTIONNEZ LES DANS TOUTE COMMUNICATION AVEC NOS SERVICES OU VOTRE REVENDEUR. CECI EST IMPORTANT POUR LA COMMANDE DE PIECES DETACHEES. PENSEZ A NOTER TOUS LES NUMEROS ET TOUTES LES LETTERS.

NUMEROS DE SERIE DE LA MACHINE _____

LES INFORMATIONS DONNEES DANS CE MANUEL SONT CORRECTES CEPENDANT, DU FAIT DE DEVELOPPEMENT CONSTANT DES MACHINES BOMFORD TURNER.

CHANGEMENTS DANS LES CARACTERISTIQUES SONT INEVITABLES.

SI VOUS TROUVEZ QUE LES INFORMATIONS DONNEES NE CORRESPONDENT PAS A VOTRE MACHINE VEUILLEZ CONTACTER LE SERVICE DES REPARATIONS OU DES INFORMATIONS PLUS RECENTES VOUS SERONT DONNEES. CE MANUEL PEUT MONTRER DES CARACTERISTIQUES OPTIONNELLES ET NE PEUT PAS ETRE CONSIDERE COMME SPECIFICATION DE LA MACHINE.

CETTE MACHINE A ETE TESTEE, ET ELLE EST CONSIDEREE COMME FIABLE A CONDITION D'UNE BONNE UTILISATION. ASSUREZ-VOUS QUE VOTRE OPERATEUR EST QUALIFIE EN CE QUI CONCERNE L'UTILISATION DE LA MACHINE AINSI QUE SON ENTRETIEN.

WICHTIG

TRAGEN SIE HIER DIE SERIENNUMMERN IHRER MASCHINE EIN UND GEBEN SIE DIESE IMMER AN, WENN SIE SICH AN UNS ODER IHREN HÄNDLER WENDEN. DAS IST BESONDERS BEI ERSATZTEILBESTELLUNGEN WICHTIG. VERGESSEN SIE NICHT, ALLE ZAHLEN UND BUCHSTABEN ZU NOTIEREN.

SERIENNUMMERN DER MASCHINE _____

DIE ANGABEN IN DIESEM HANDBUCH SIND BEI VERÖFFENTLICHUNG KORREKT. AUFGRUND DER KONSTANTEN WEITERENTWICKLUNG VON BOMFORD TURNER MASCHINEN SIND JEDOCH ÄNDERUNGEN IN DER SPEZIFIKATION UNVERMEIDLICH. WENN DIE INFORMATION IN DIESEM HANDBUCH NICHT MIT IHRER MASCHINE ÜBEREINSTIMMT, NEHMEN SIE BITTE KONTAKT MIT DER BOMFORD TURNER KUNDENDIENSTABTEILUNG AUF, DIE IHNEN GERNE DIE AKTUELLEN INFORMATION ZUKOMMEN LÄSST.

DAS HANDBUCH KANN SOWOHL BESCHREIBUNGEN FÜR DIE STANDARD AUSFÜHRUNG ALS AUCH FÜR ZUBEHÖR ENTHALTEN UND IST NICHT ALS MASCHINENSPEZIFIKATION ZU VERWENDET.

DIE MASCHINE IST GETESTET UND BEI SACHGEMÄSSEM BETRIEB ALS SICHER BEFUNDEN WORDEN. SORGEN SIE DAFÜR, DASS IHR BEDIENPERSONAL IN ANWENDUNG UND WARTUNG RICHTIG GESCHULT WIRD.

NOTE: PAGE & ILLUSTRATION NUMBERS SHOWN ARE USED ONLY FOR REFERENCE PURPOSES AND SHOULD NOT BE USED FOR ORDERING SPARE PARTS. PLEASE GIVE FULL PART NUMBER AND DESCRIPTION WHEN ORDERING SPARE PARTS.

FOR MACHINE WITH SERIAL NUMBERS COMMENCING FROM:

.....**2417 X**.....

<u>PAGE NO.</u>	<u>DESCRIPTION</u>	<u>SCHEDULE NO.</u>
1	INDEX	
2-1 TO 2-2	COWL ROLLER ASSEMBLY	71.880.01 71.881.01
3-1 TO 3-2	PTO/GEARBOX/PULLEY ASSEMBLY	71.882.01
4-1 TO 4-2	BEARING ASSEMBLY CRUCIFORM ROTOR SHAFT TUBULAR ROTOR SHAFT	71.883.01 71.884.01 71.902.01
5-1 TO 5-2	DECALS	71.885.01

WHERE A PARTS LIST HAS NECESSITATED TWO PAGES OF TEXT THE CORRESPONDING ILLUSTRATION HAS BEEN REPEATED ON THE FACING PAGE PURELY FOR CONVENIENT REFERENCING.

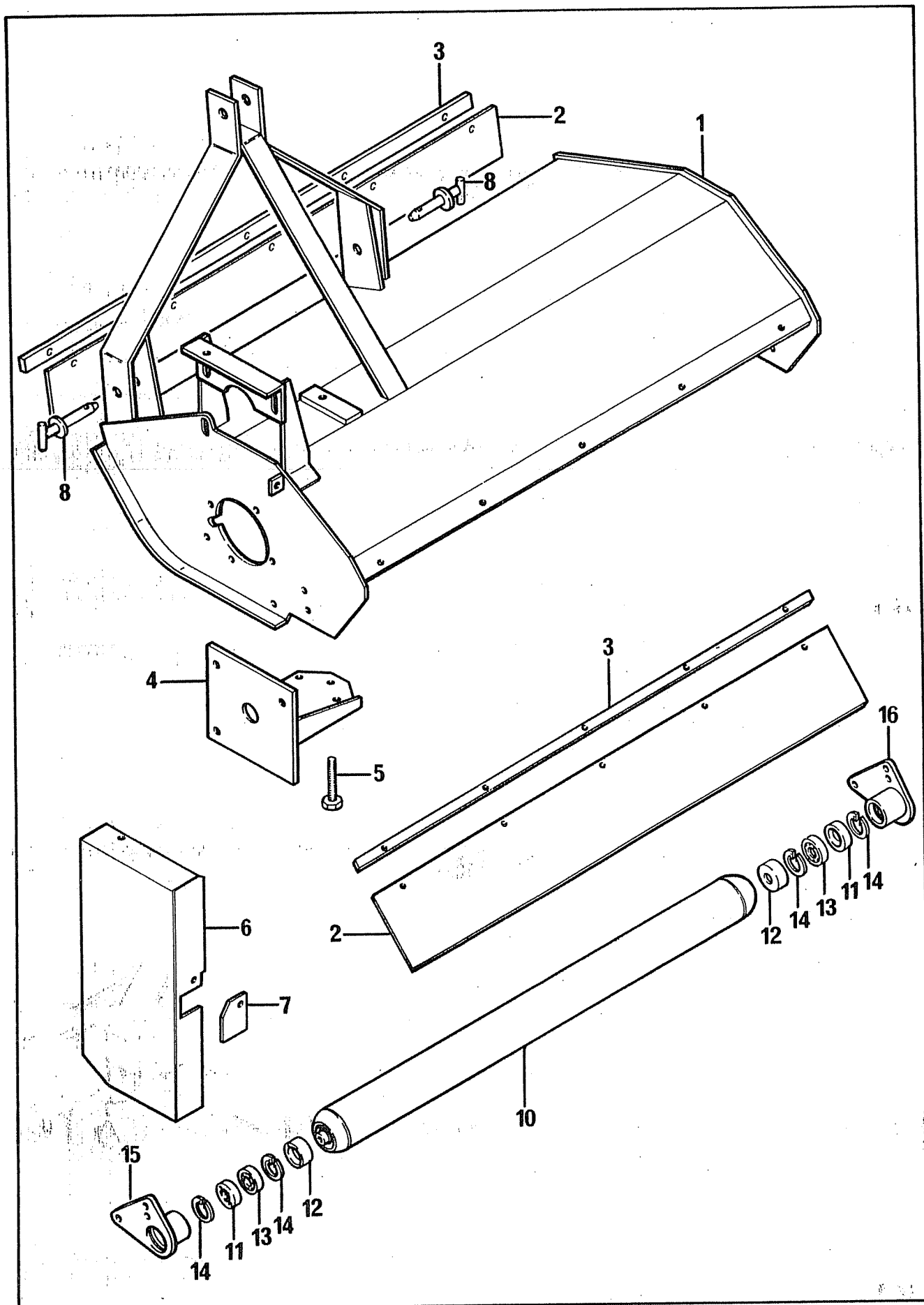
THE ILLUSTRATION AND TEXT COMBINE STANDARD, ALTERNATIVE AND OPTIONAL PARTS AND MUST NOT BE USED AS A PRODUCT SPECIFICATION.

IMPORTANT

IT IS POTENTIALLY HAZARDOUS TO FIT OR USE ANY PARTS OTHER THAN GENUINE BOMFORD PARTS. THE COMPANY DISCLAIMS ALL LIABILITY FOR THE CONSEQUENCES OF SUCH USE, WHICH IN ADDITION VOIDS THE MACHINE WARRANTY.

CHECK REAR OF MANUAL FOR UPDATES

COWL AND ROLLER ASSEMBLY



COWL AND ROLLER ASSEMBLY

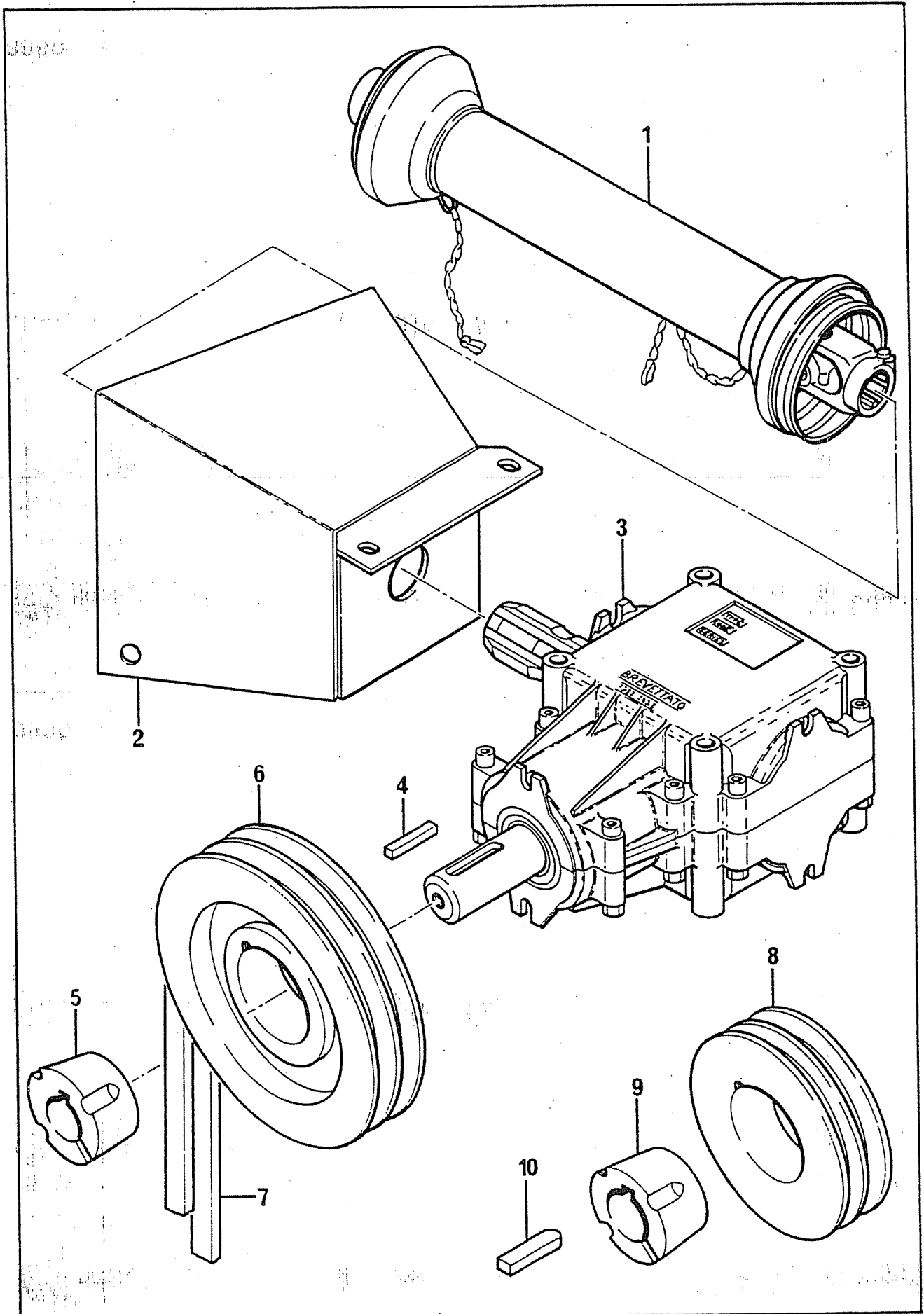
REF.	PART NO.	DESCRIPTION	QTY	SERIAL NO. FROM - TO
<u>71.880.01</u>		<u>COWL</u>		
*01	07.506.01	COWL - B1100	1	
01	05.227.01	HAMMER DRIVE SCREW NO.6 X 3/8"	2	
01	05.774.02	SERIAL NUMBER PLATE	1	
*02	06.196.01	GUARD - PLASTIC	2	
03	05.264.01	SETSCREW M8 X 20MM PLATED	10	
03	05.282.01	SPRING WASHER 8MM PLATED	10	
03	05.286.01	NUT M8 PLATED	10	
*03	06.194.01	BACKING STRIP	2	
04	05.264.21	SETSCREW M12 X 20MM PLATED	3	
04	05.281.03	FLAT WASHER 12MM PLATED	3	
04	05.282.03	SPRING WASHER 12MM PLATED	3	
*04	07.504.01	PLATE - GEARBOX MOUNTING	1	
05	05.282.03	SPRING WASHER 12MM PLATED	1	
05	05.286.03	NUT M12 PLATED	2	
*05	06.220.01	BOLT-ADJUSTING	1	
06	05.264.21	SETSCREW M12 X 20MM PLATED	2	
06	05.282.03	SPRING WASHER 12MM PLATED	3	
06	05.286.03	NUT M12 PLATED	1	
*06	07.505.01	GUARD - BELT	1	
*07	07.507.01	PLATE - COVER	1	
08	00.372.01	LINCH PIN	2	
*08	06.328.01	PIN-CAT I	2	

71.881.01ROLLER ASSEMBLY

10	05.234.01	WASHER 1.3/4" X 17/32" X 3/16"	2	
10	05.264.23	SETSCREW M12 X 30MM PLATED	2	
10	05.282.03	SPRING WASHER 12MM PLATED	2	
*10	06.752.01	ROLLER - 1100	1	
10	07.502.01	ROLLER PROD ASSY	-	
*11	04.394.01	FLANGE-BEARING RETAINER PLATED	2	
11	05.953.01	GREASE NIPPLE M6	4	
*12	04.164.04	SEAL-LIP 40DIA X 10MM	2	
*13	03.007.02	BEARING - BALL 30MM BORE	2	
*14	05.959.05	CIRCLIP - INT 62MM DIA	4	
15	05.264.24	SETSCREW M12 X 35MM PLATED	4	
15	05.282.03	SPRING WASHER 12MM PLATED	4	
15	05.286.03	NUT M12 PLATED	4	
*15	07.497.01	BRACKET - ROLLER LH	1	
*16	07.497.02	BRACKET - ROLLER RH	1	

*MAIN PART IN GROUP, RELATED PARTS HAVE SAME REFERENCE NUMBER.

PTO/GEARBOX/PULLEY ASSEMBLY



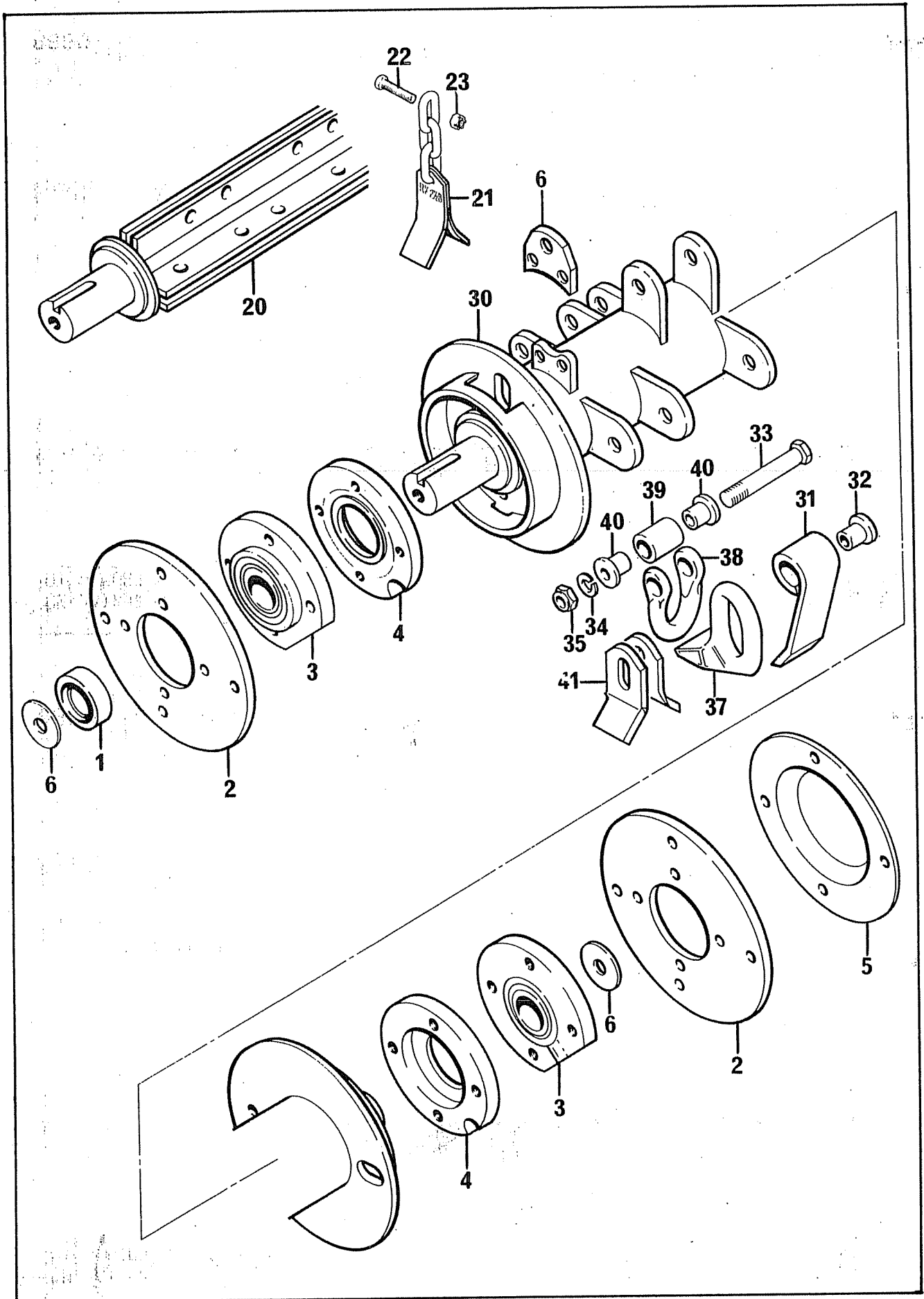
PTO/GEARBOX/PULLEY ASSEMBLY

71.882.01

REF.	PART NO.	DESCRIPTION	QTY	SERIAL NO FROM - TO
*01	04.043.20	PTO SHAFT ASSY 610MM CRS	1	
01	04.043.02	JOURNAL BEARING KIT	-	
01	04.043.03	PTO SHAFT GUARD ASSY	-	
*02	07.500.01	GUARD - PTO	1	
03	05.282.02	SPRING WASHER 10MM PLATED	4	
03	05.292.15	BOLT M10 X 120MM PLATED	4	
*03	07.503.01	GEARBOX ASSEMBLY (COMER)	1	
03	07.503.02	SEAL KIT FOR 0750301 GEARBOX	-	
*04	05.960.20	KEY-SEP 8MM X 7MM X 34MM	1	
*05	05.424.21	TAPER LOCK 30MM BORE (2012)	1	
*06	02.868.01	PULLEY-VEE 190PCD X2SPA T/L	1	
*07	05.299.34	BELT - VEE SPA X 1120MM	2	
*08	03.795.06	PULLEY-VEE 140MM PCD 2 SPA	1	
*09	05.424.22	TAPER LOCK 40MM BORE (2012)	1	
*10	05.960.16	KEY-S/REP 12MM X 8MM X 40MM	1	

* MAIN PART IN GROUP. RELATED PARTS HAVE SAME REFERENCE NUMBER

ROTOR SHAFT ASSEMBLIES



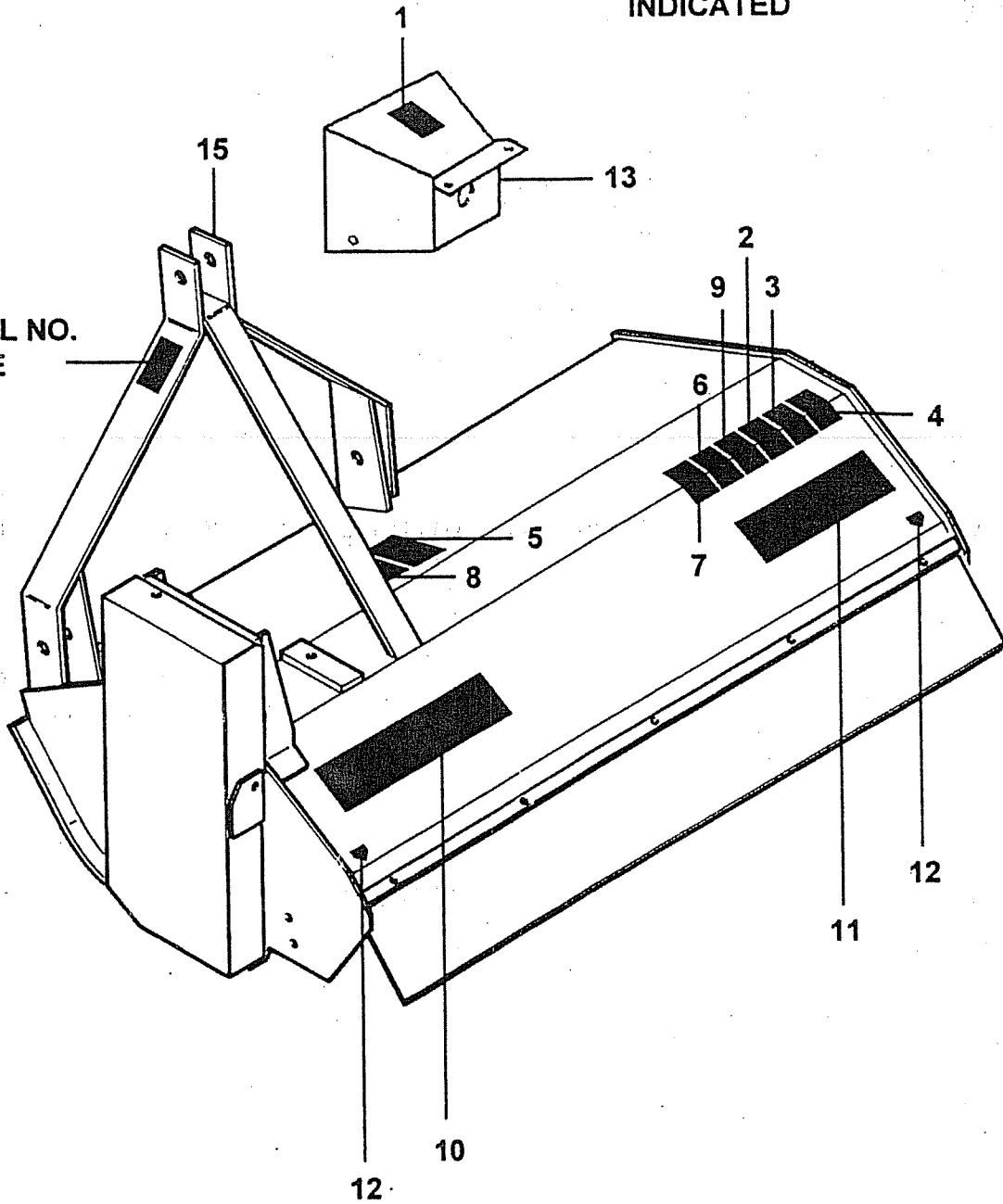
ROTOR SHAFT ASSEMBLIES

REF.	PART NO.	DESCRIPTION	QTY	SERIAL NO FROM - TO
71.883.01		<u>BEARING ASSEMBLY</u>		
*01	07.498.01	SPACER - 55 O/D X 40.5 X 15	1	
02	05.264.23	SETSCREW M12 X 30MM PLATED	8	
02	05.282.03	SPRING WASHER 12MM PLATED	8	
02	05.286.03	NUT M12 PLATED	8	
*02	06.197.01	PLATE-BEARING NON DRIVE	2	
03	05.264.25	SETSCREW M12 X 40MM PLATED	8	
03	05.282.03	SPRING WASHER 12MM PLATED	8	
*03	06.221.01	BEARING ASSEMBLY 40 - BORE	2	
*04	06.219.01	DISC-SHIELD	2	
*05	06.195.01	GUARD-NON DRIVE	1	
*06	02.824.01	WASHER 50 O/DX13 I/DX5MM	2	
06	05.264.23	SETSCREW M12 X 30MM PLATED	2	
06	05.283.03	SHAKEPROOF WASHER 12MM PLATED	2	
71.884.01		<u>CRUCIFORM ROTOR SHAFT ASSEMBLY</u>		
	07.501.01	ROTOR SHAFT ASSEMBLY COMPLETE COMPRISING ITEMS 20 TO 23:		
*20		SHAFT - CRUCIFORM 1100	1	
20	01.087.01	BALANCE WEIGHT	12	
20	05.287.01	SELF-LOCKING NUT M8 PLATED	4	
20	05.291.04	BOLT M8 X 45MM PLATED	4	
*21	01.086.06	FLAIL UNIT-CHAIN/TWIN	56	
*22	05.264.03	SETSCREW M8 X 30MM PLATED	56	
*23	05.287.01	SELF-LOCKING NUT M8 PLATED	56	
71.902.01		<u>TUBULAR ROTOR SHAFT ASSEMBLY</u>		
	07.509.01	ROTOR SHAFT ASSEMBLY COMPLETE COMPRISING ITEMS 30 TO 36:		
*30		SHAFT - 1100 TUBULAR	1	
*31	06.189.01	FLAIL - FORMED 40 X 8	32	
*32	06.192.02	COLLAR 10.5 I/DX26;19 O/DX21.5	64	
*33	05.775.02	BOLT M10 X 86MM (FINE)	32	
*34	05.282.02	SPRING WASHER 10MM PLATED	32	
*35	05.968.02	SELF LOCKING NUT M10 (FINE)	32	
36	05.282.01	SPRING WASHER 8MM PLATED	4	
36	05.286.01	NUT M8 PLATED	4	
36	05.291.01	BOLT M8 X 30MM PLATED	4	
*36	06.510.01	LUG - BOLT ON	2	
*37	02.959.01	FLAIL-FORGED	32	SPARES ONLY
*38	05.895.01	SHACKLE-FORGED	32	" "
*39	02.807.01	SPACER 1" O/D X 16MM I/D X 7MM	32	" "
*40	02.801.01	COLLAR 26 O/D X 24	64	" "
*41	02.812.01	FLAIL-FORMED	64	" "

*MAIN PART IN GROUP, RELATED PARTS HAVE SAME REFERENCE NUMBER.

ITEM 13 POSITIONED ON
SIDE OF GUARD AS
INDICATED

SERIAL NO.
PLATE



REF	PART NO.	DESCRIPTION	QTY
	74.909.01	DECALS	
01	09.811.04	DECAL - MAX PTO SPEED 540 ACW	1
02	09.821.01	DECAL - READ INSTRUCTION BOOK	1
03	09.821.08	DECAL - SAFEWORKING ON HEAD	1
04	09.821.10	DECAL - KEEP NUTS TIGHT	1
05	09.821.16	DECAL - KEEP OUT ZONE	1
06	09.821.17	DECAL - UNSUPPORTED MACHINE	1
07	09.821.18	DECAL - THROWN DEBRIS	1
08	09.821.20	DECAL - SHAFT ENTANGLEMENT	1
09	09.821.24	DECAL - FLAIL HEAD DANGER	1
	71.855.01	DECALS	
10	06.958.02	DECAL - BOMFORD	1
11	06.960.06	DECAL - B1100	1
12	09.810.01	DECAL - GREASE (8 HOURS)	4
13	09.810.04	DECAL - OIL FILLER (SAE 30)	1
14	09.810.05	DECAL - OIL LEVEL	1
15	09.843.01	DECAL - LIFT POINT 250KG	1